



US00D557663S

(12) **United States Design Patent**
Schneider

(10) **Patent No.:** **US D557,663 S**

(45) **Date of Patent:** **** Dec. 18, 2007**

(54) **INSTRUMENT CABINET**

D492,650 S * 7/2004 Nishi D13/110
D530,287 S * 10/2006 Stolpe et al. D13/162

(75) Inventor: **Frank Michael Schneider**, Pforzheim
(DE)

* cited by examiner

(73) Assignee: **Thermo Electron (Karlsruhe) GmbH**,
Karlsruhe (DE)

Primary Examiner—Selina Sikder

Assistant Examiner—Thomas J Johannes

(74) *Attorney, Agent, or Firm*—Paul Vincent

(**) Term: **14 Years**

(57) **CLAIM**

(21) Appl. No.: **29/245,385**

The ornamental design for an instrument cabinet, as shown.

(22) Filed: **Dec. 23, 2005**

DESCRIPTION

(30) **Foreign Application Priority Data**

Jun. 24, 2005 (DE) 4 05 03 229

FIG. 1 shows a perspective front view of a first embodiment of the instrument cabinet in accordance with the invention;

FIG. 2 shows a perspective rear view of the first embodiment of the instrument cabinet of FIG. 1;

(51) **LOC (8) Cl.** **13-03**

(52) **U.S. Cl.** **D13/163**

(58) **Field of Classification Search** D13/110,
D13/162, 163, 173, 181; D14/102, 349,
D14/240, 311, 350, 364; D18/53; D99/28;
361/687, 724, 727, 736, 692, 695; 312/265.5;
174/50; 220/4.02; D6/421

FIG. 3 shows a perspective front view of a second embodiment of the instrument cabinet in accordance with the invention;

FIG. 4 shows a perspective rear view of the second embodiment of the instrument cabinet of FIG. 3;

See application file for complete search history.

FIG. 5 shows a perspective front view of a third embodiment of the instrument cabinet in accordance with the invention;

FIG. 6 shows a perspective front view of a fourth embodiment of the instrument cabinet in accordance with the invention;

(56) **References Cited**

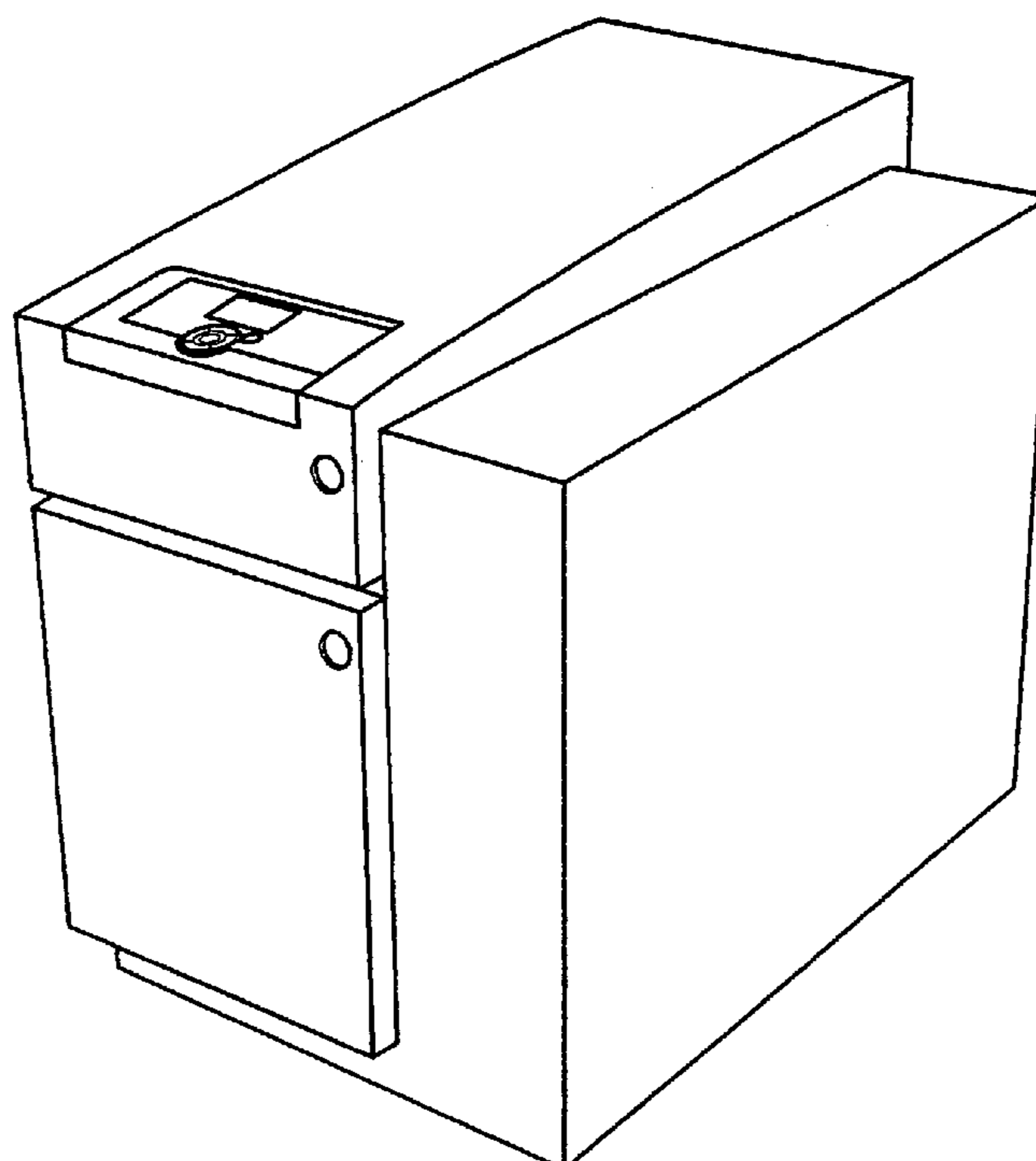
U.S. PATENT DOCUMENTS

D316,396 S * 4/1991 Decosse et al. D13/110
5,119,497 A * 6/1992 Freige et al. 361/687
D346,156 S * 4/1994 Lee et al. D14/311
D362,843 S * 10/1995 Alfonso et al. D14/349
D384,648 S * 10/1997 Seirio D13/181
D426,198 S * 6/2000 Lee et al. D14/349
D452,486 S * 12/2001 Gardiner D13/173

FIG. 7 shows a perspective rear view of a fourth embodiment of the instrument cabinet of FIG. 6; and,

FIG. 8 shows a detail plan view of the upper front control panel of all the embodiments of the claimed design.

1 Claim, 8 Drawing Sheets



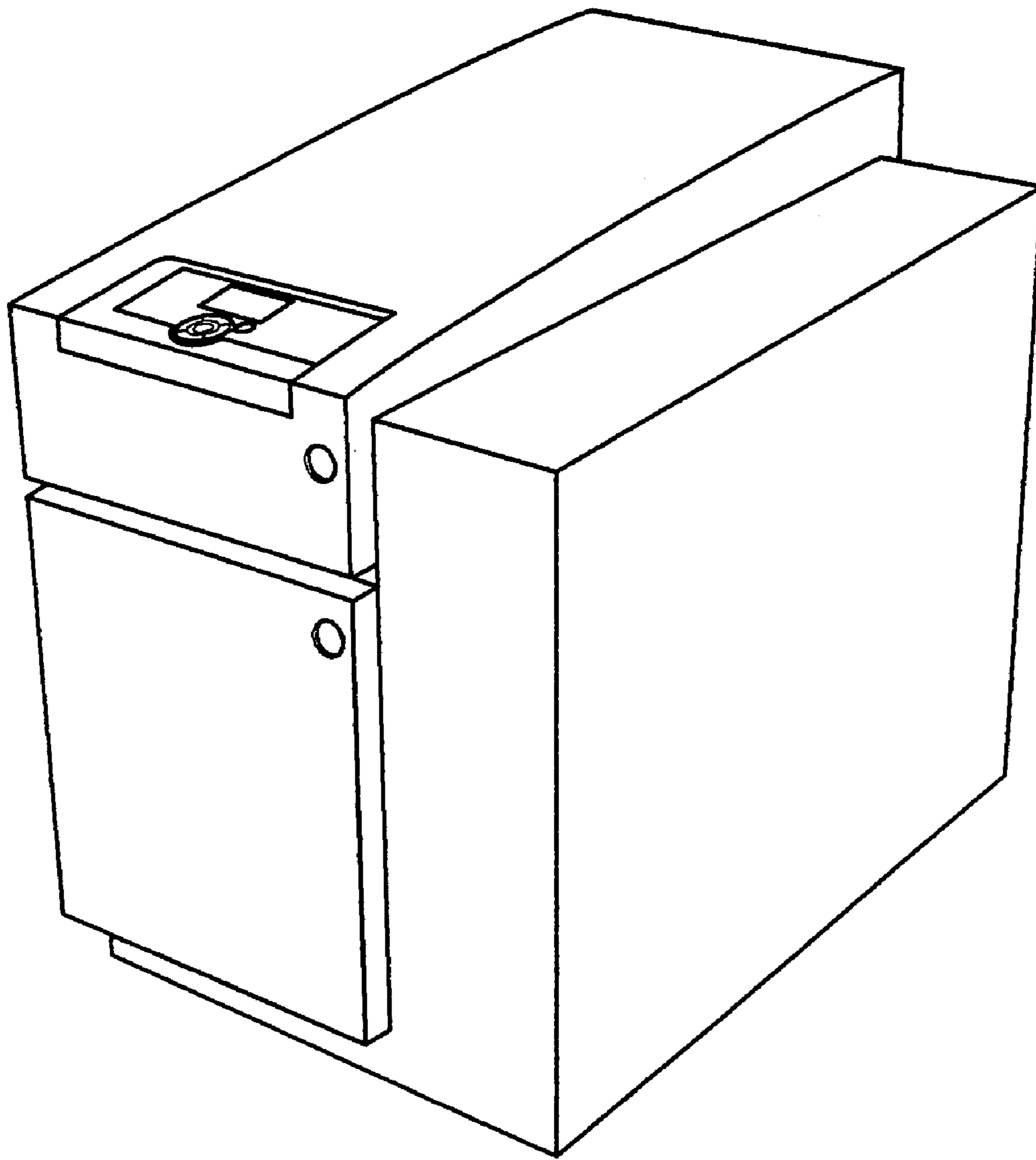


Fig. 1

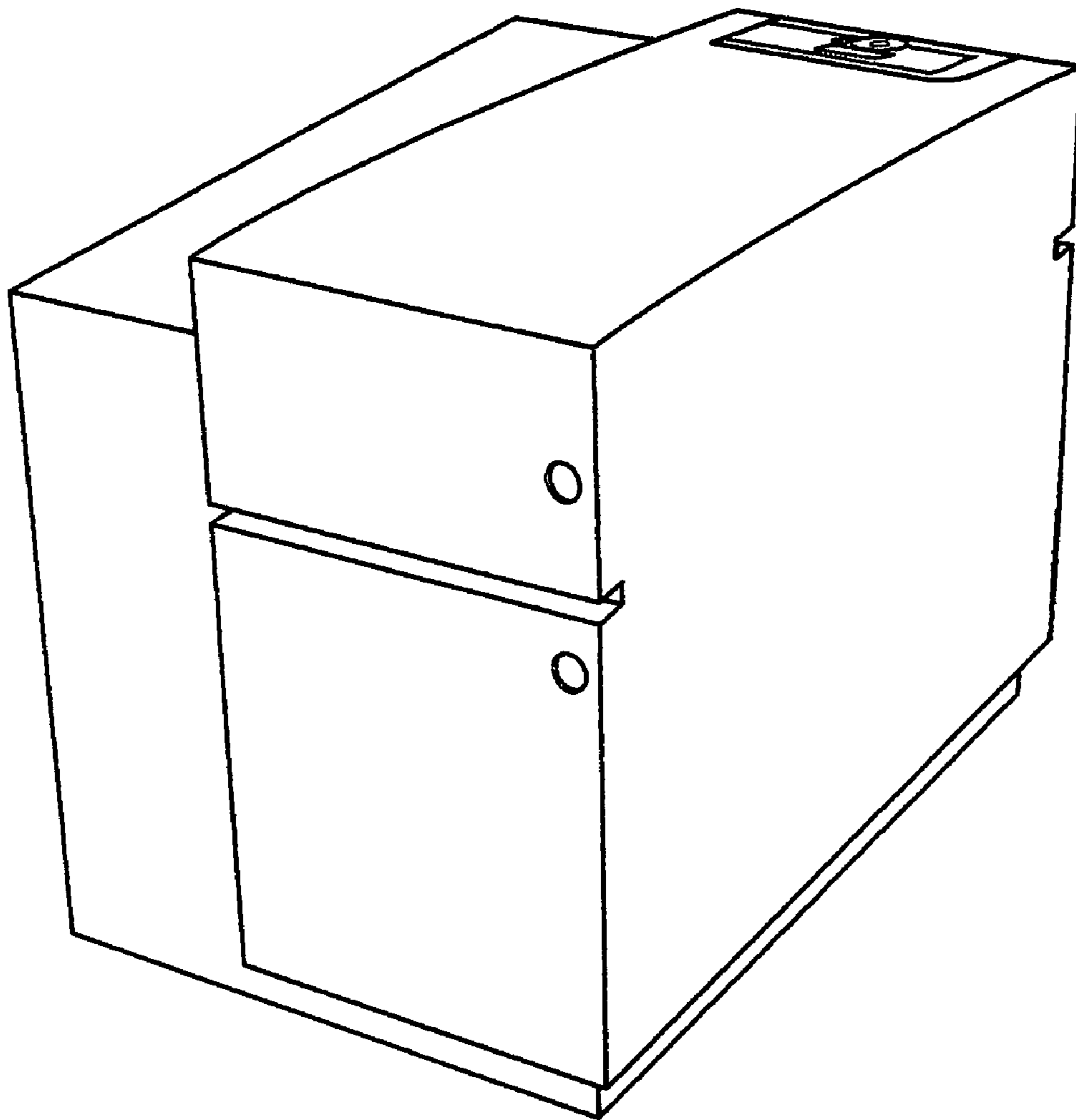


Fig. 2

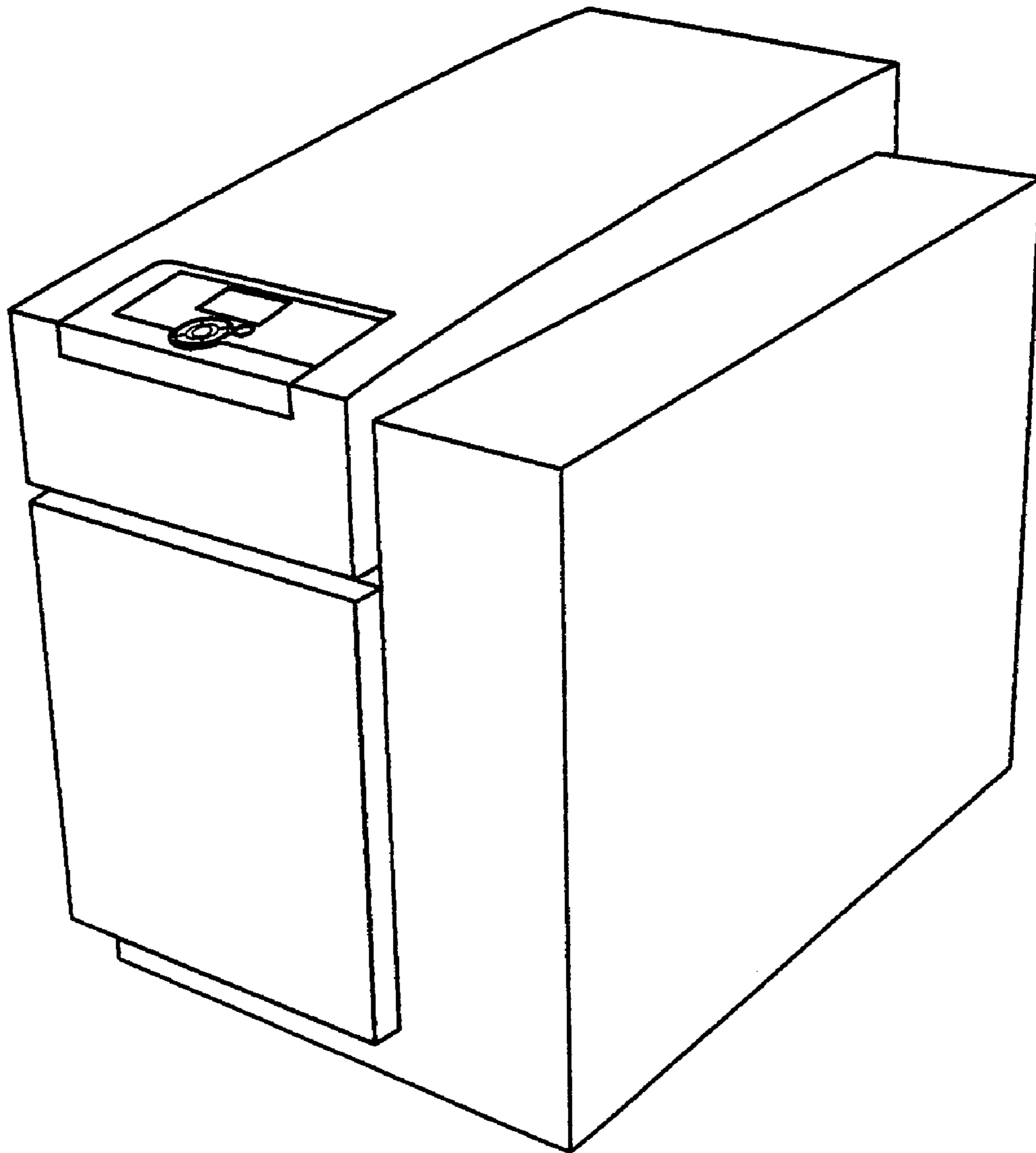


Fig. 3

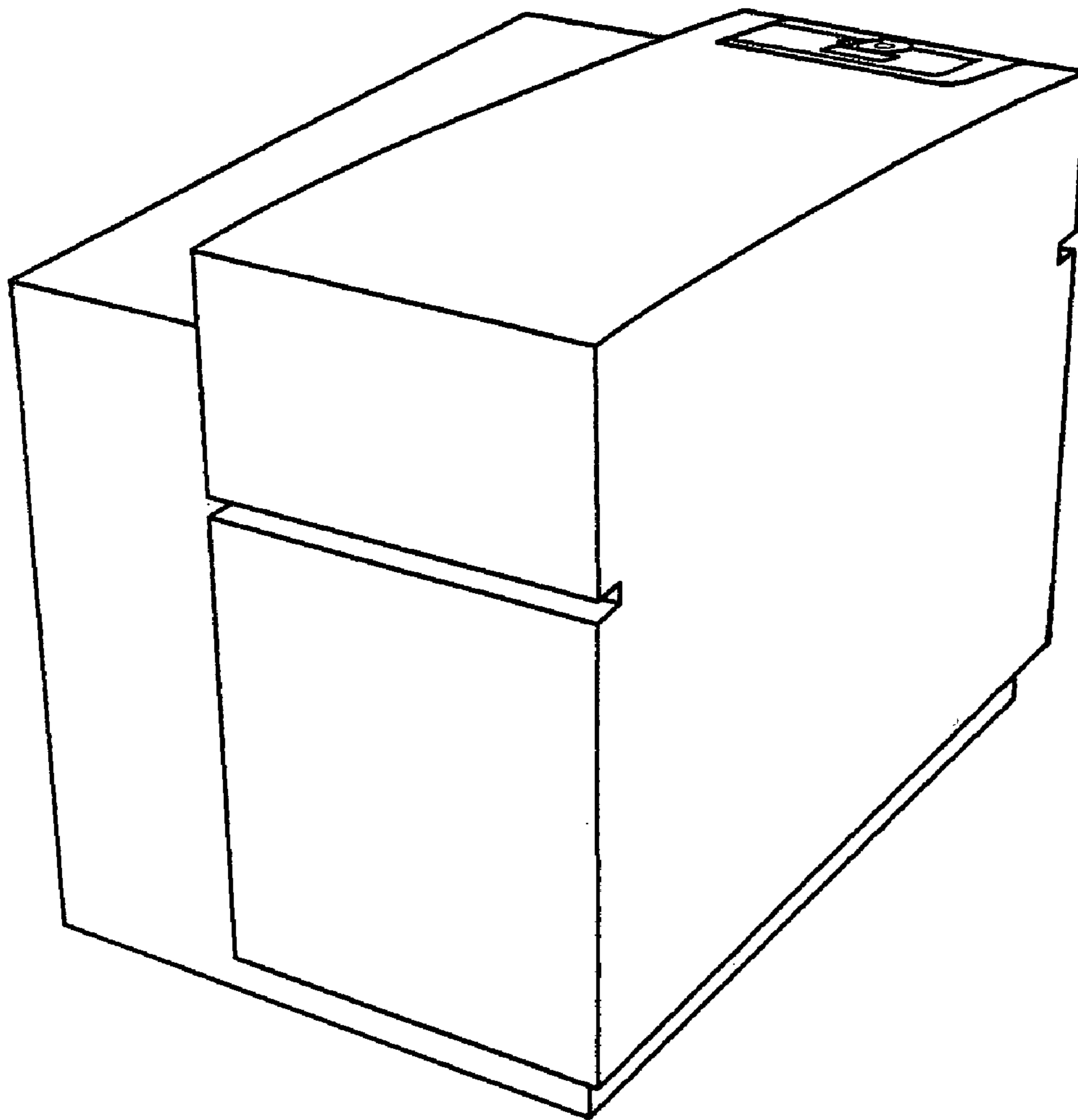


Fig. 4

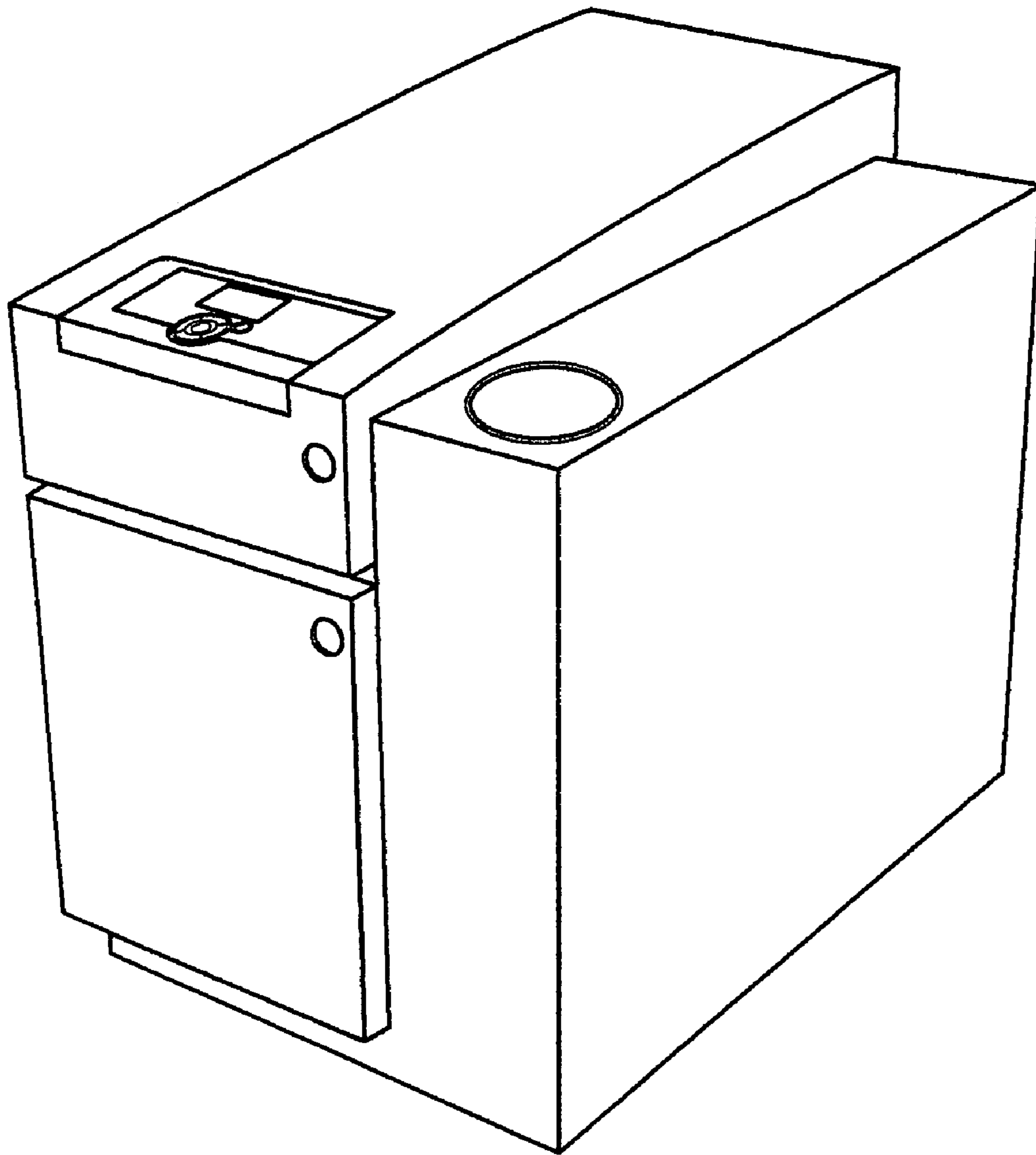


Fig. 5

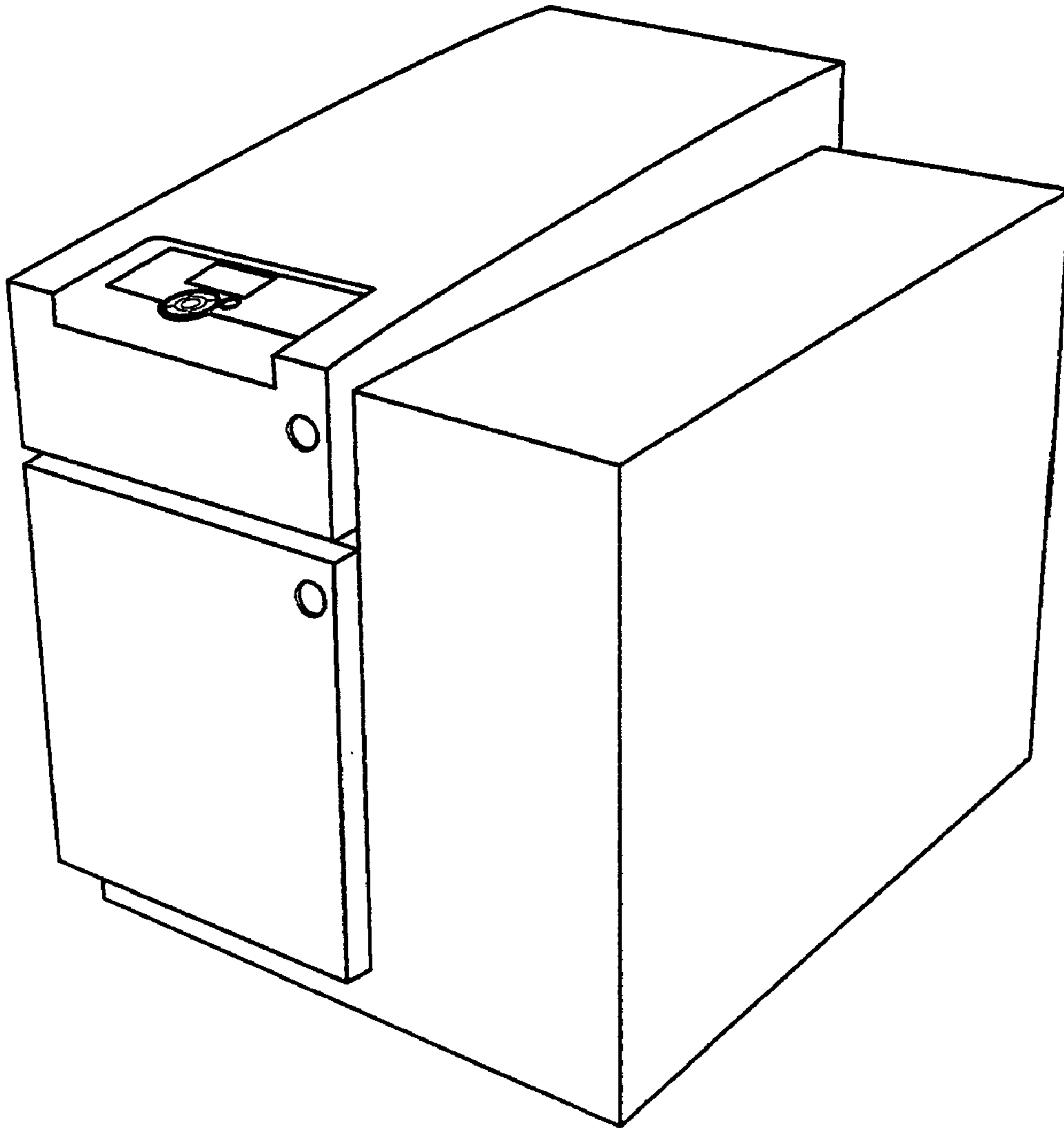


Fig. 6

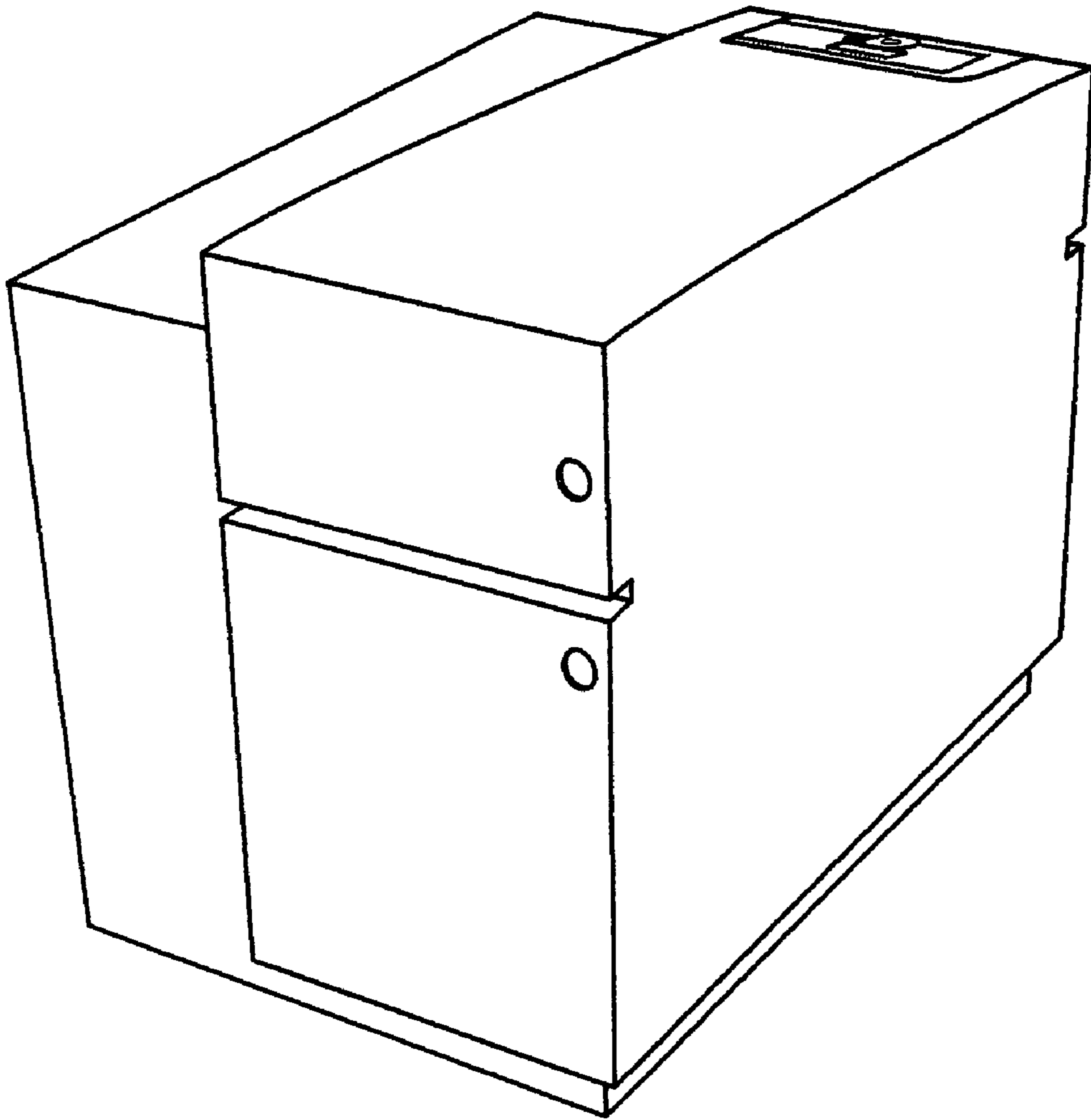


Fig. 7

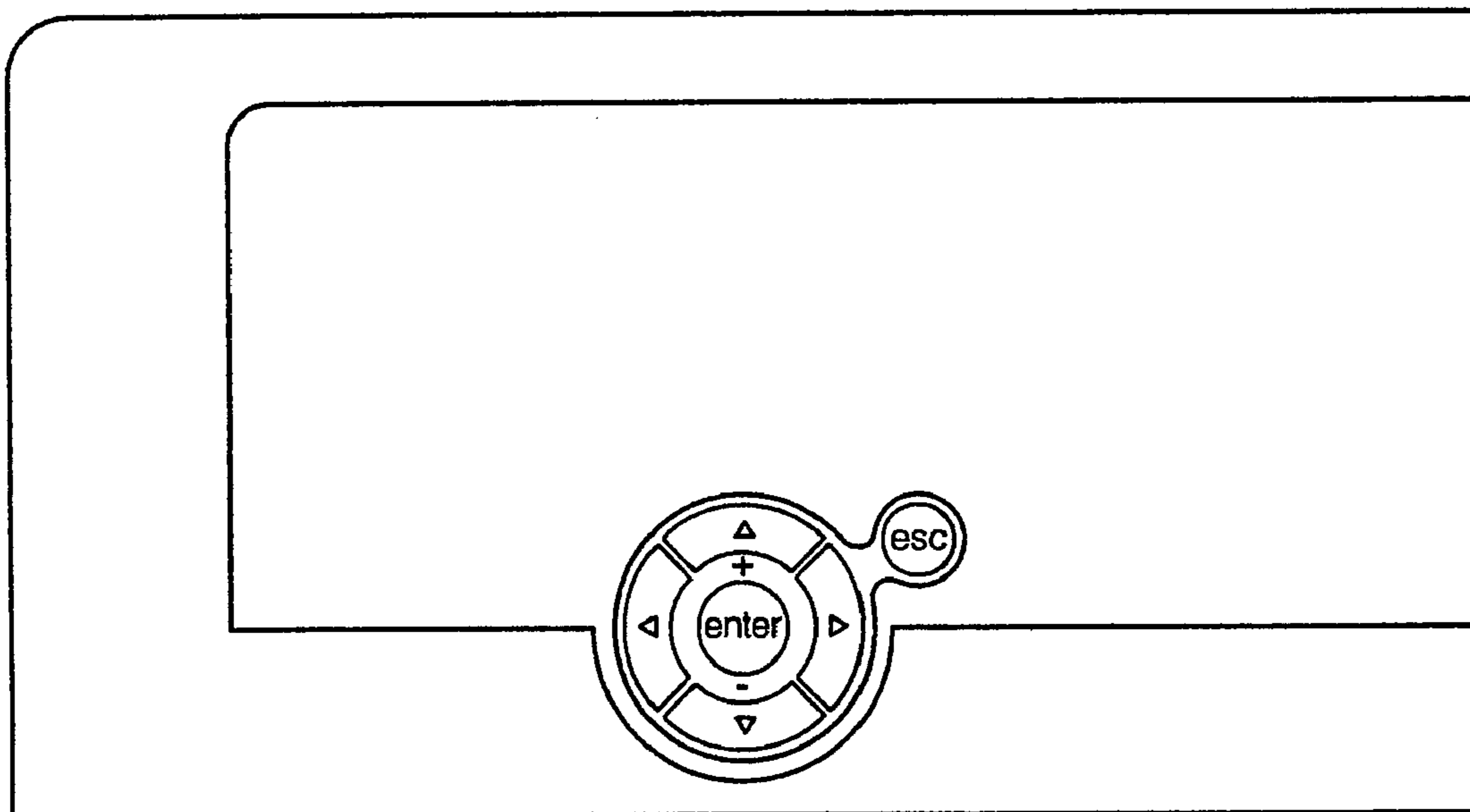


Fig. 8