

US00D557661S

(12) **United States Design Patent**
Lemke et al.

(10) **Patent No.:** **US D557,661 S**

(45) **Date of Patent:** **** Dec. 18, 2007**

(54) **POWER CONTROLLER DISPLAY WITH ZONE INDICATION**

(75) Inventors: **John F. Lemke**, Houston, MN (US);
Robert A. Pape, Winona, MN (US);
Thomas R. Pfingsten, Winona, MN (US);
Craig R. Dennis, Winona, MN (US)

(73) Assignee: **Watlow Electric Manufacturing Company**, St. Louis, MO (US)

(**) Term: **14 Years**

(21) Appl. No.: **29/252,373**

(22) Filed: **Jan. 20, 2006**

(51) **LOC (8) Cl.** **13-03**

(52) **U.S. Cl.** **D13/162; D13/177**

(58) **Field of Classification Search** D13/162,
D13/162.1, 164, 177; D10/104, 124, 46,
D10/60; D24/146, 169; 368/82, 84
See application file for complete search history.

(56) **References Cited**

U.S. PATENT DOCUMENTS

- 4,462,696 A * 7/1984 Yung et al. 368/84
- 4,483,628 A * 11/1984 Terzian 368/82
- D351,827 S * 10/1994 Shimizu et al. D13/162.1
- D447,435 S * 9/2001 Thomas D10/124
- D449,789 S * 10/2001 Gunji et al. D10/104

- D462,122 S * 8/2002 Hutcheson et al. D24/169
- D490,727 S * 6/2004 Kido et al. D10/60
- D504,334 S * 4/2005 Tsujimura D10/46
- D523,555 S * 6/2006 Loerwald et al. D24/146
- 7,073,714 B2 * 7/2006 Namaky et al. 235/462.15
- D546,774 S * 7/2007 Albright, Jr. D13/162

* cited by examiner

Primary Examiner—Selina Sikder

Assistant Examiner—Thomas J Johannes

(74) *Attorney, Agent, or Firm*—Brinks Hofer Gilson & Lione

(57) **CLAIM**

The ornamental design for a power controller display with zone indication, as shown and described.

DESCRIPTION

FIG. 1 is a perspective view of the power controller display with zone indication;

FIG. 2 is a front view thereof;

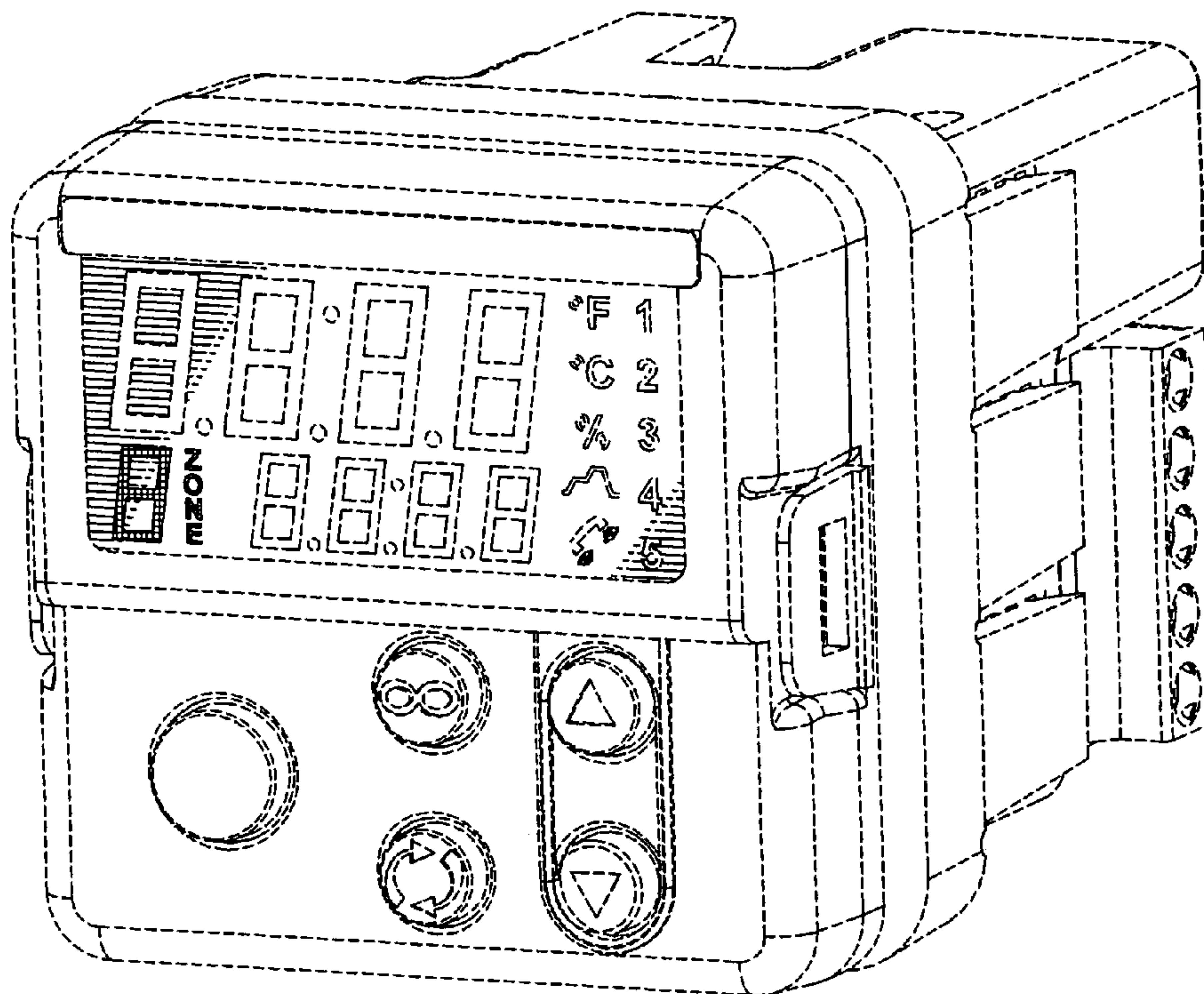
FIG. 3 is an enlarged front view thereof; and,

FIG. 4 is an enlarged partial front view thereof.

The drawings are lined for the color amber in the numeral “8” and the word “ZONE”.

The broken lines are included for the purpose of illustrating environmental structure and form no part of the claimed design.

1 Claim, 4 Drawing Sheets



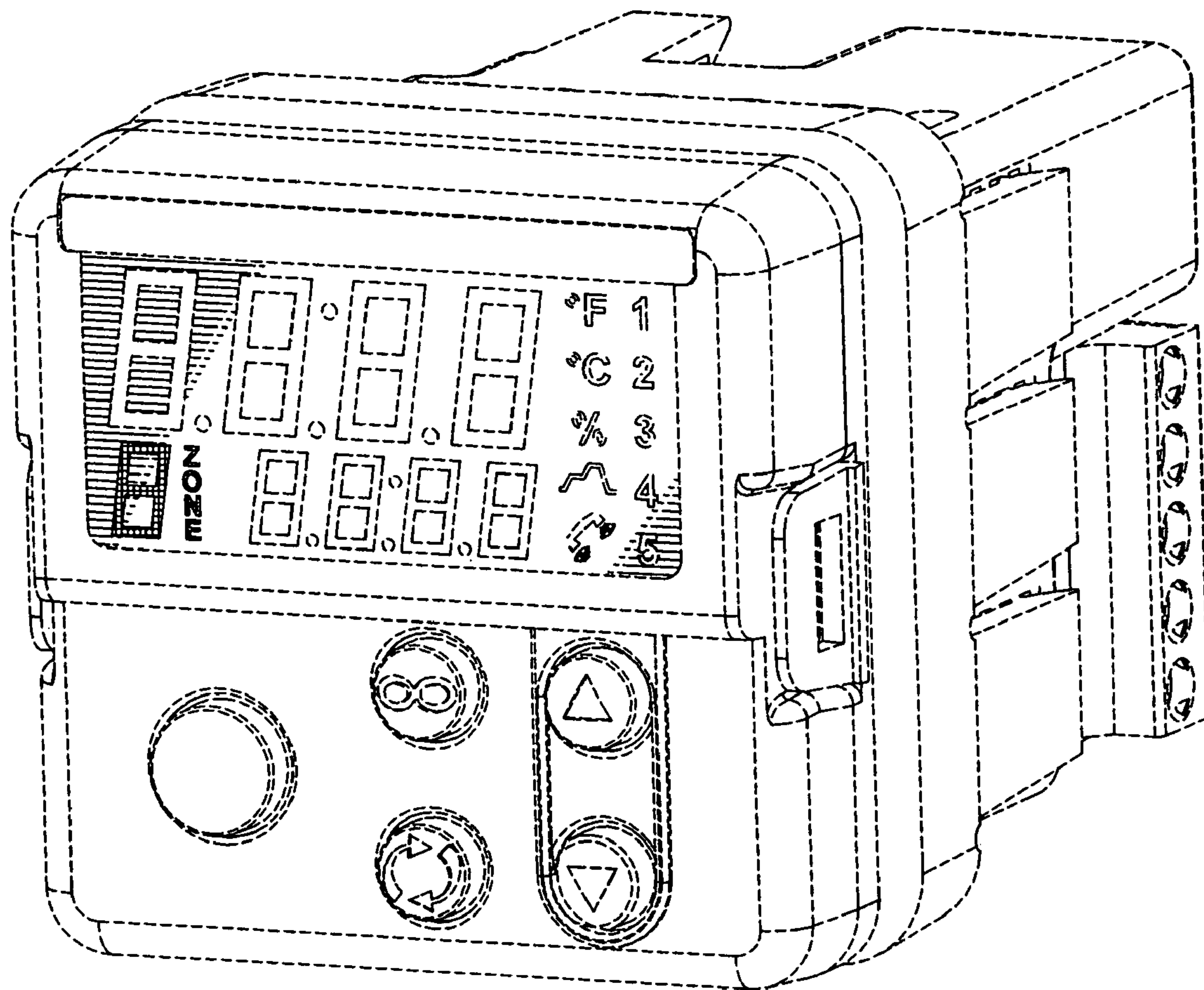


FIG. 1

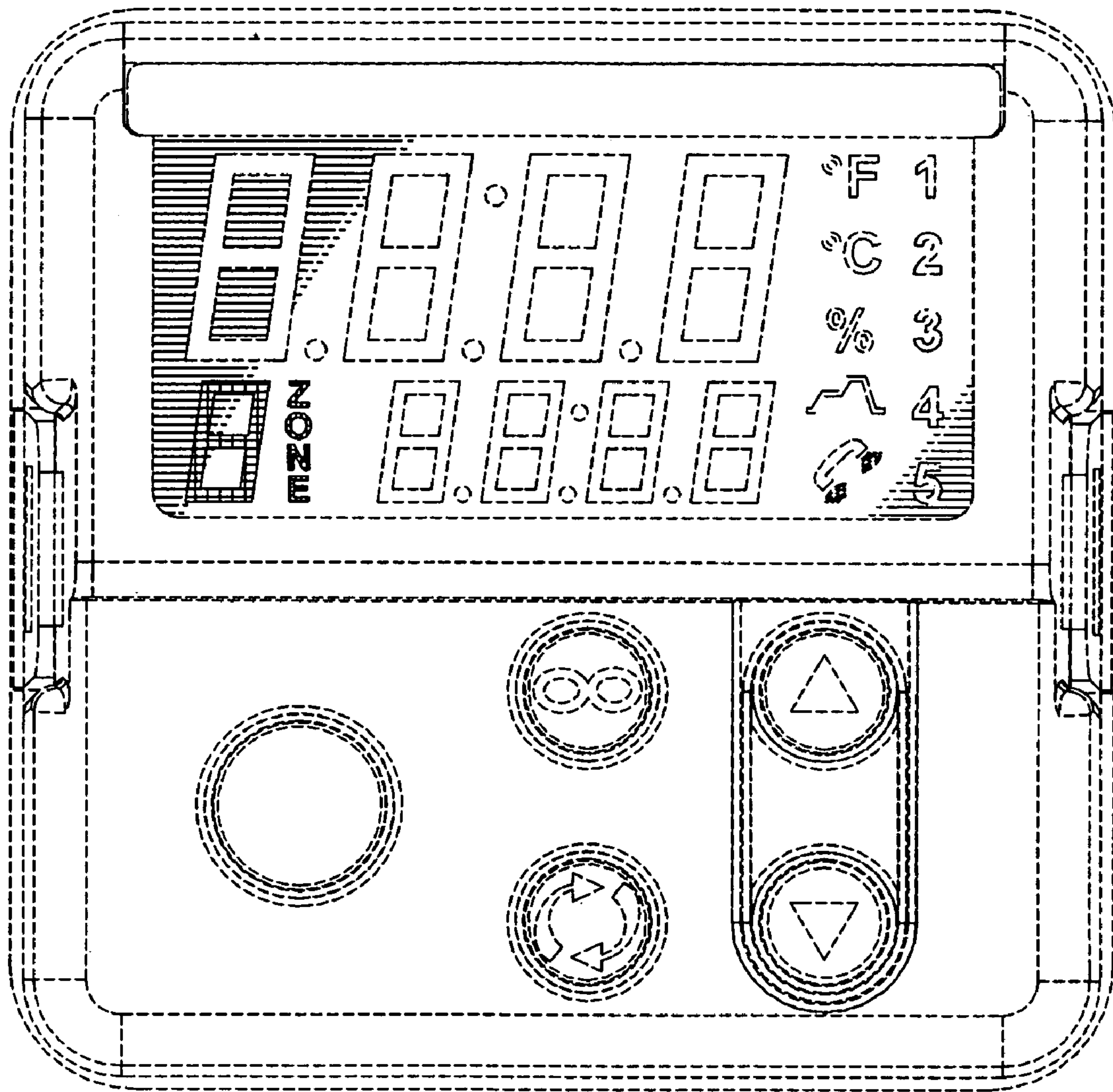


FIG. 2

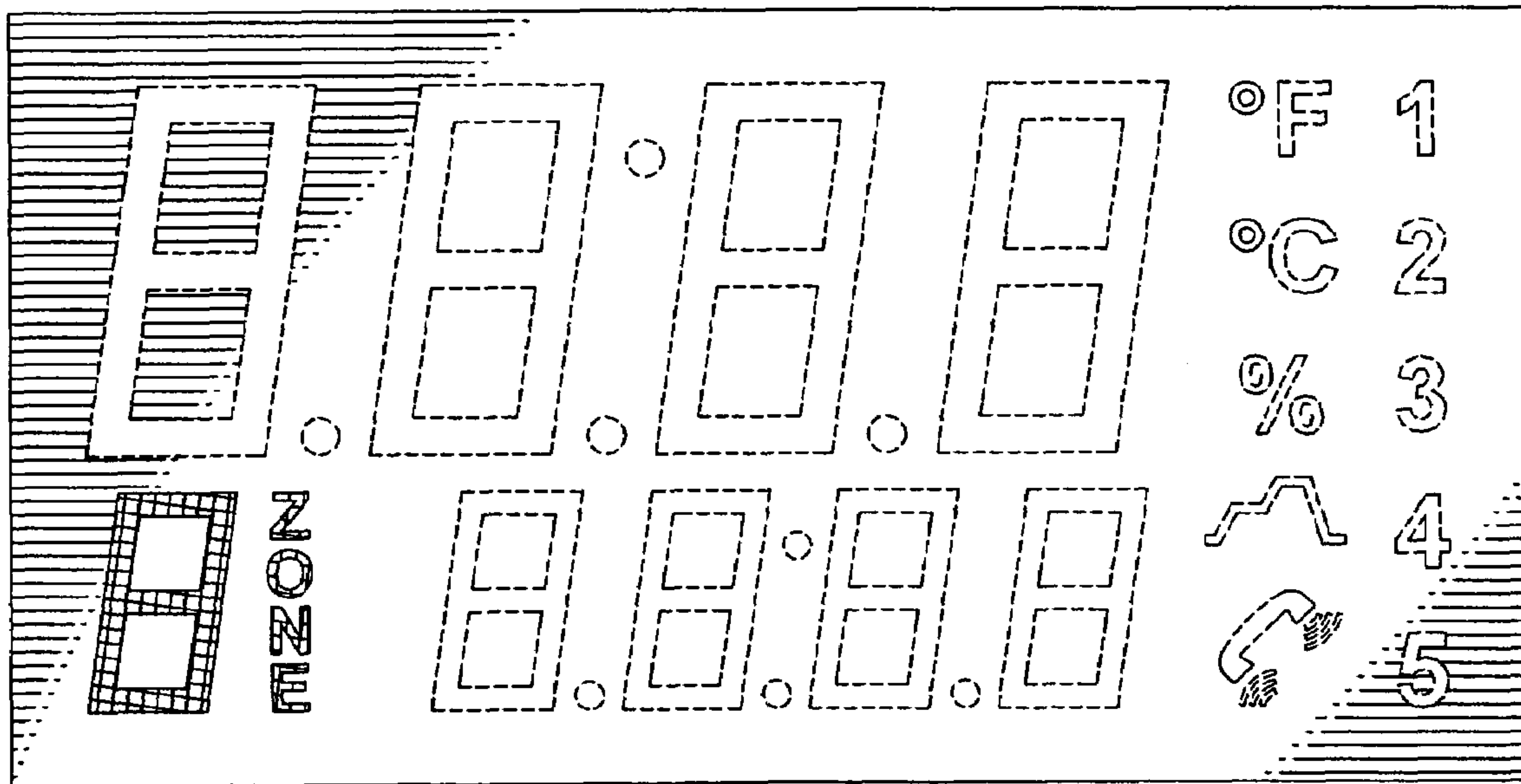


FIG. 3

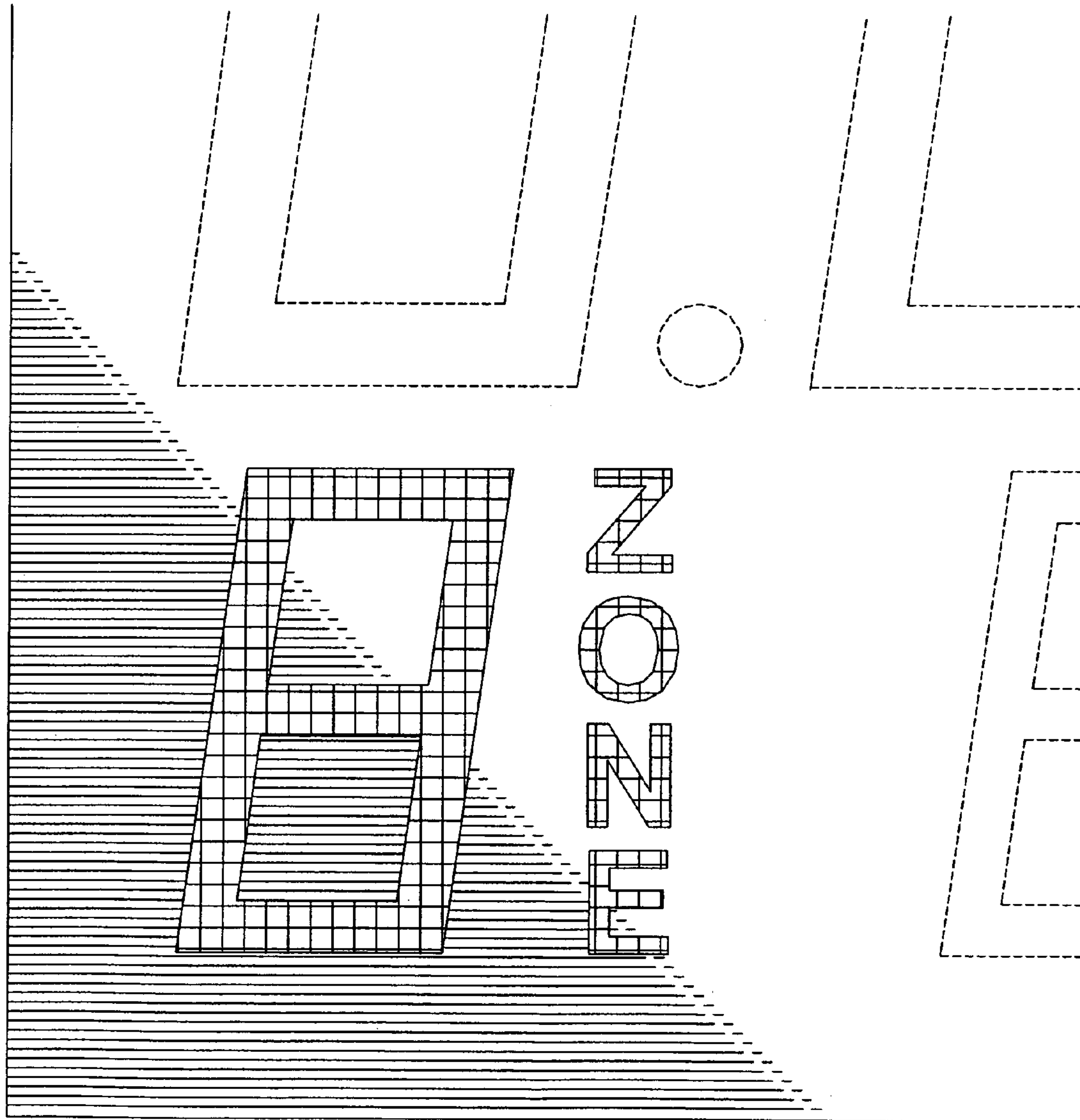


FIG. 4