

US00D557660S

(12) **United States Design Patent** (10) **Patent No.:** **US D557,660 S**
Dinh et al. (45) **Date of Patent:** **** Dec. 18, 2007**

(54) **ELECTRICAL BOX BRACKET**

(75) Inventors: **Cong Thanh Dinh**, Collierville, TN (US); **John Charles Archer**, Cordova, TN (US)

(73) Assignee: **Thomas & Betts International, Inc.**, Wilmington, DE (US)

(**) Term: **14 Years**

(21) Appl. No.: **29/257,911**

(22) Filed: **Apr. 12, 2006**

Related U.S. Application Data

(63) Continuation-in-part of application No. 11/311,453, filed on Dec. 19, 2005, now Pat. No. 7,205,476.

(51) **LOC (8) Cl.** **13-03**

(52) **U.S. Cl.** **D13/152**

(58) **Field of Classification Search** D13/126,
D13/139.4, 147, 152, 158, 184; 174/480-481,
174/53-54, 58; 220/3.2-3.3, 3.6-3.9; 439/535,
439/536

See application file for complete search history.

(56) **References Cited**

U.S. PATENT DOCUMENTS

2,604,285	A *	7/1952	Knoch	248/27.1
3,701,448	A	10/1972	Vadnals		
3,724,795	A	4/1973	Callanan		
3,848,764	A	11/1974	Salg		
3,891,113	A	6/1975	Salg		
D272,242	S *	1/1984	Holce et al.	D13/184
4,874,905	A	10/1989	Schnell et al.		
5,025,944	A *	6/1991	Rodick	220/3.9
5,234,119	A	8/1993	Jorgensen et al.		
5,408,045	A	4/1995	Jorgensen et al.		
5,841,068	A	11/1998	Umstead et al.		
5,854,443	A	12/1998	Reiker		
6,191,362	B1	2/2001	Gretz		
6,207,897	B1	3/2001	Reiker		
6,355,883	B1	3/2002	Gretz		
6,573,446	B1	6/2003	Umstead et al.		
6,677,523	B1	1/2004	Gretz		

6,827,229 B2 12/2004 Dinh et al.
2006/0108362 A1* 5/2006 Lalancette 220/3.7

OTHER PUBLICATIONS

Protest of George Umstead to U.S. Patent and Trademark Office dated Jan. 24, 2006.

* cited by examiner

Primary Examiner—Cathron C. Brooks

Assistant Examiner—Rosemary K. Tarcza

(74) *Attorney, Agent, or Firm*—Hoffmann & Baron, LLP

(57) **CLAIM**

The ornamental design for an electrical box bracket, substantially as shown and described.

DESCRIPTION

FIG. 1 is a front view of my design for an electrical box bracket with the box portion shown in phantom.

FIG. 2 is a right side view of the electrical box bracket of FIG. 1.

FIG. 3 is a rear view of the electrical box bracket of FIG. 1.

FIG. 4 is a top plan view of the electrical box bracket of FIG. 1.

FIG. 5 is a bottom plan view of the electrical box bracket of FIG. 1.

FIG. 6 is a left side view of the electrical box bracket of FIG. 1.

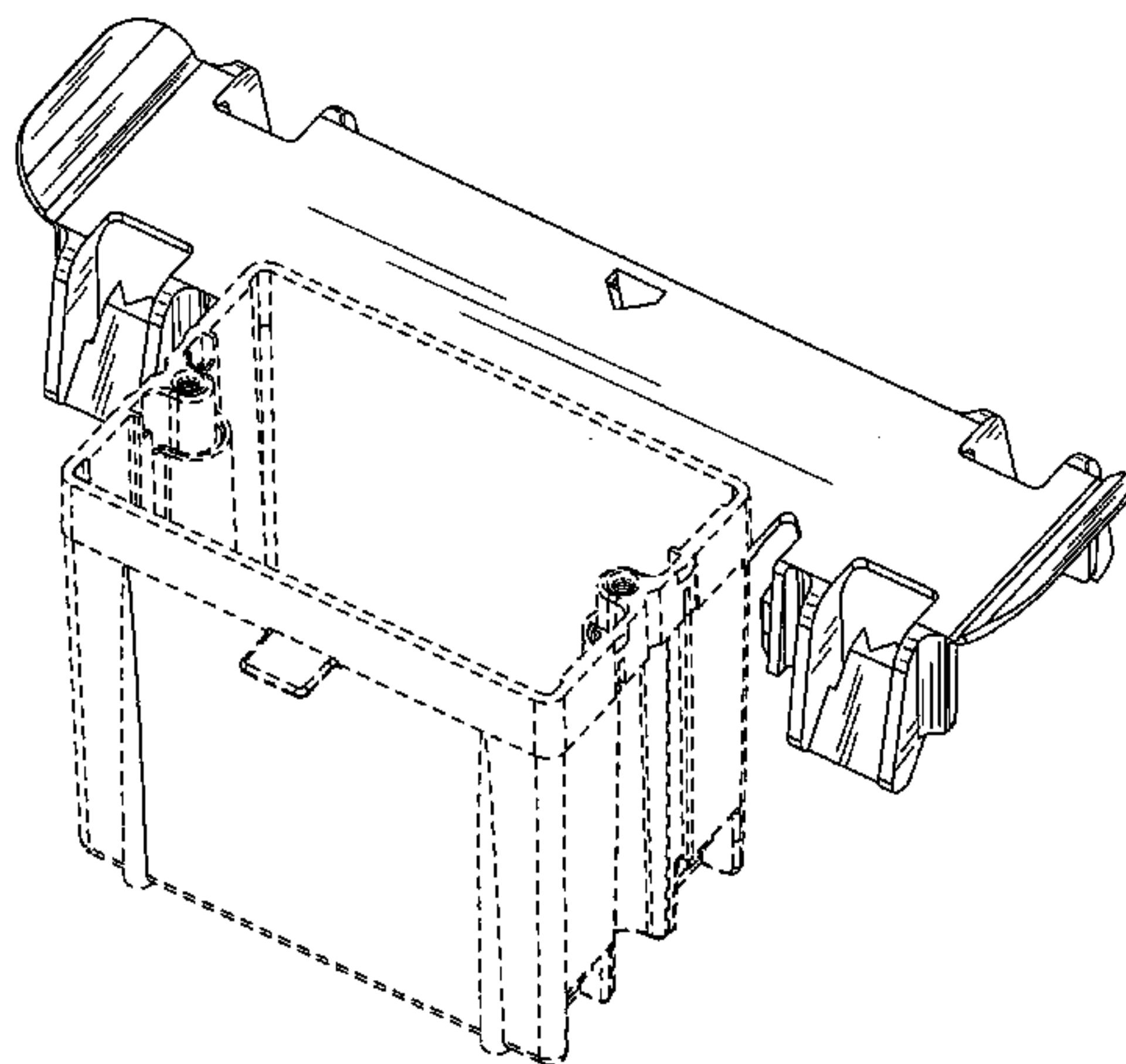
FIG. 7 is a top perspective view of the electrical box bracket of FIG. 1.

FIG. 8 is another top perspective view of the electrical box bracket of FIG. 1; and,

FIG. 9 is a bottom perspective view of the electrical box bracket of FIG. 1.

The broken line showing is included for the purpose of illustrating environment and forms no part of the claimed design.

1 Claim, 8 Drawing Sheets



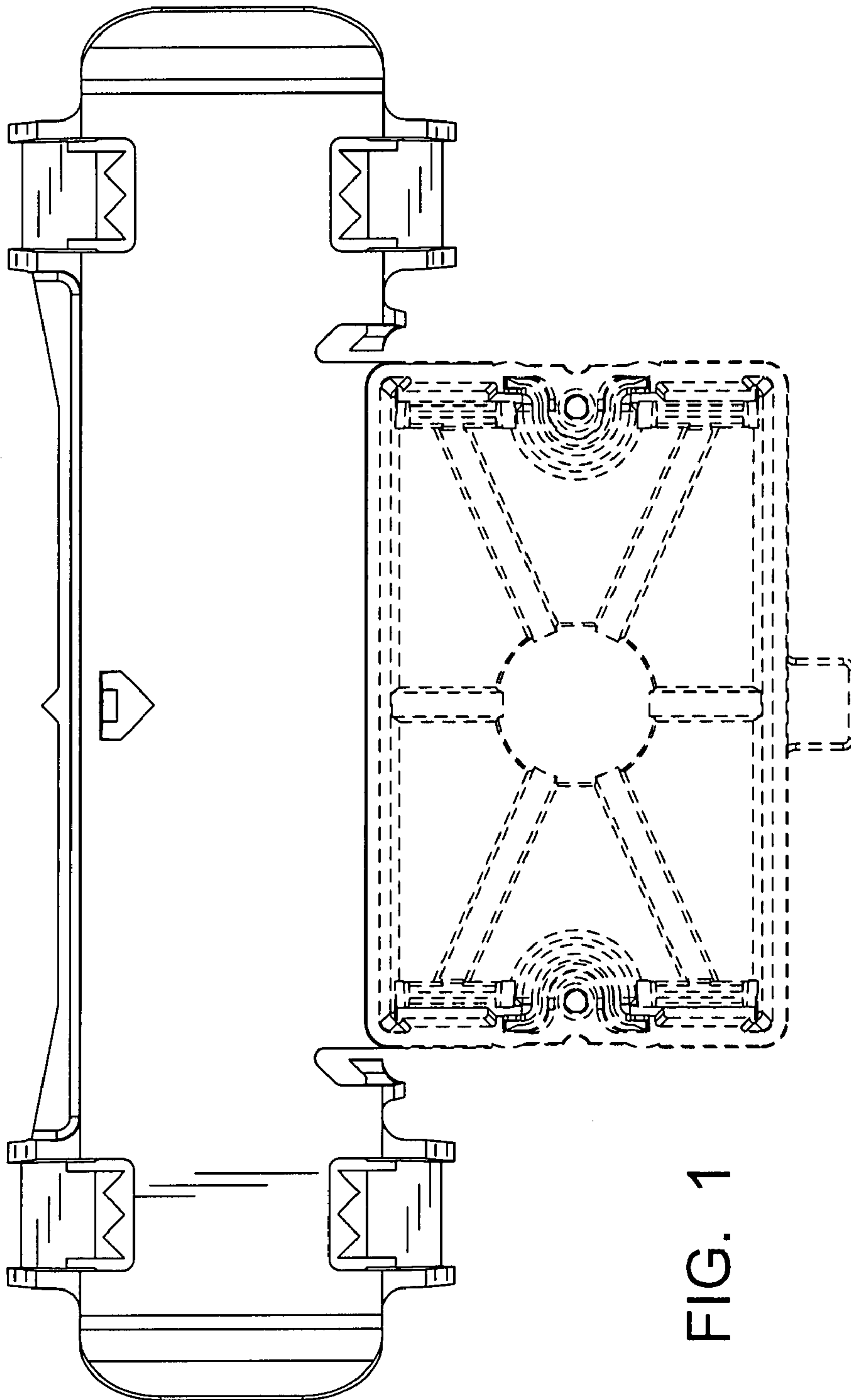


FIG. 1

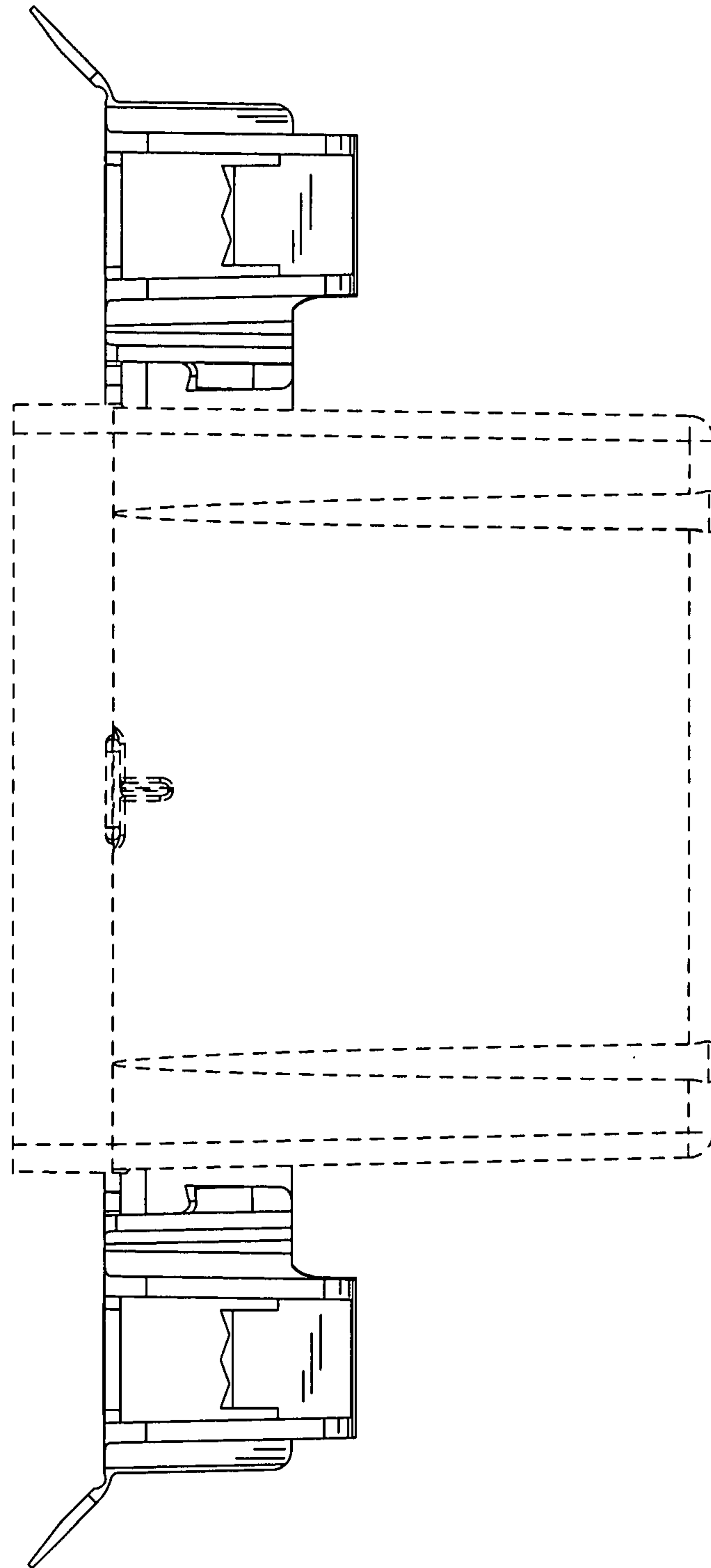


FIG. 2

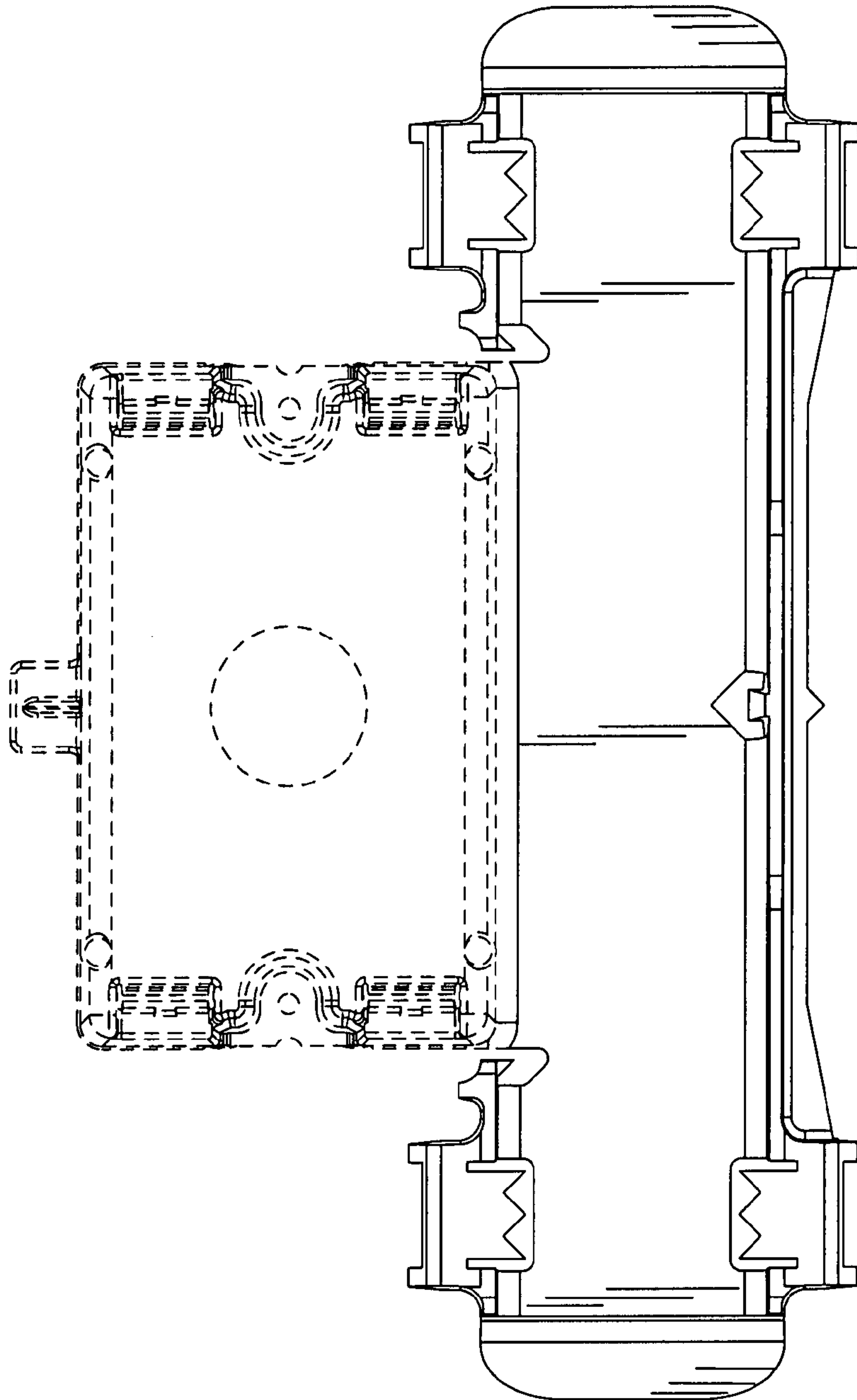


FIG. 3

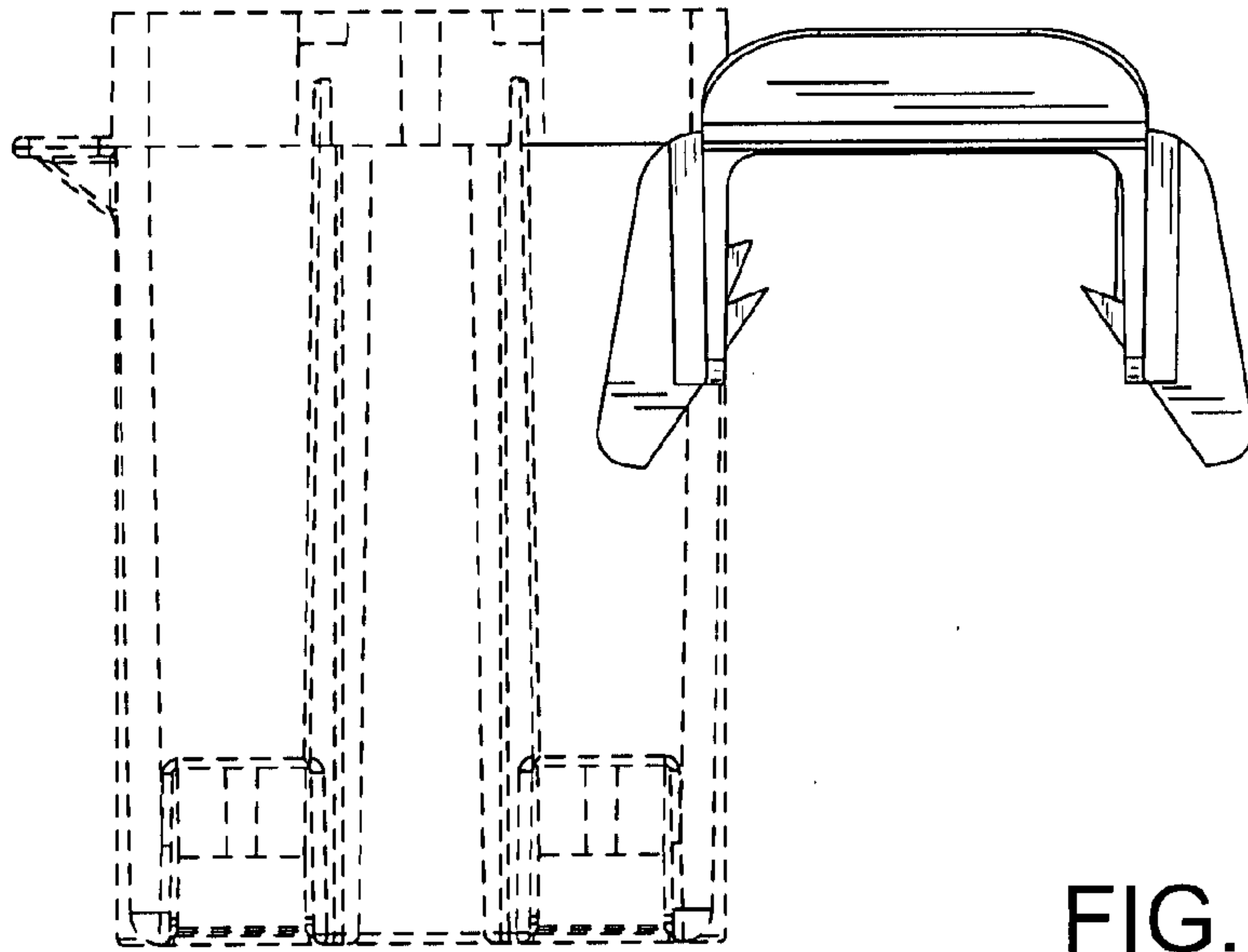


FIG. 4

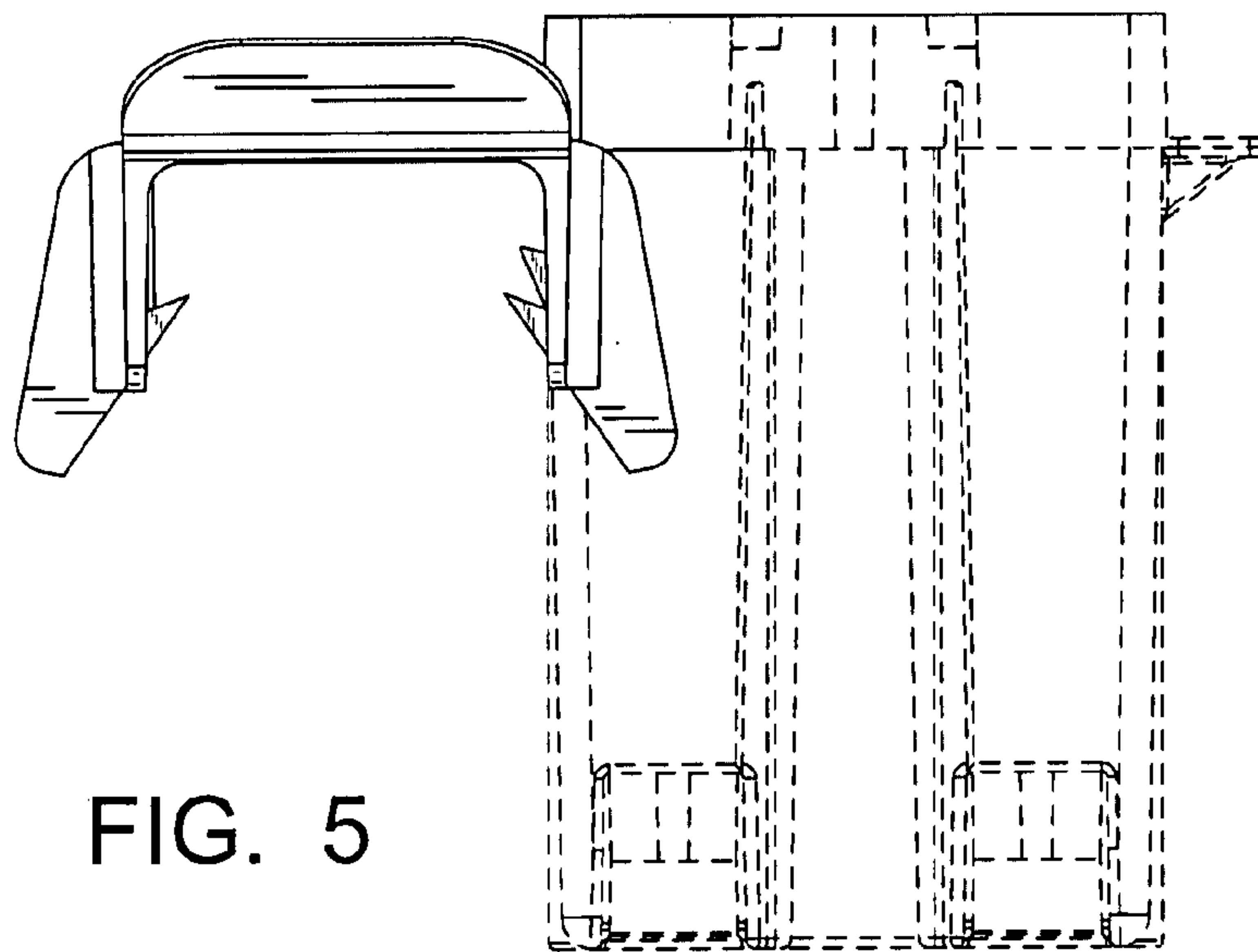


FIG. 5

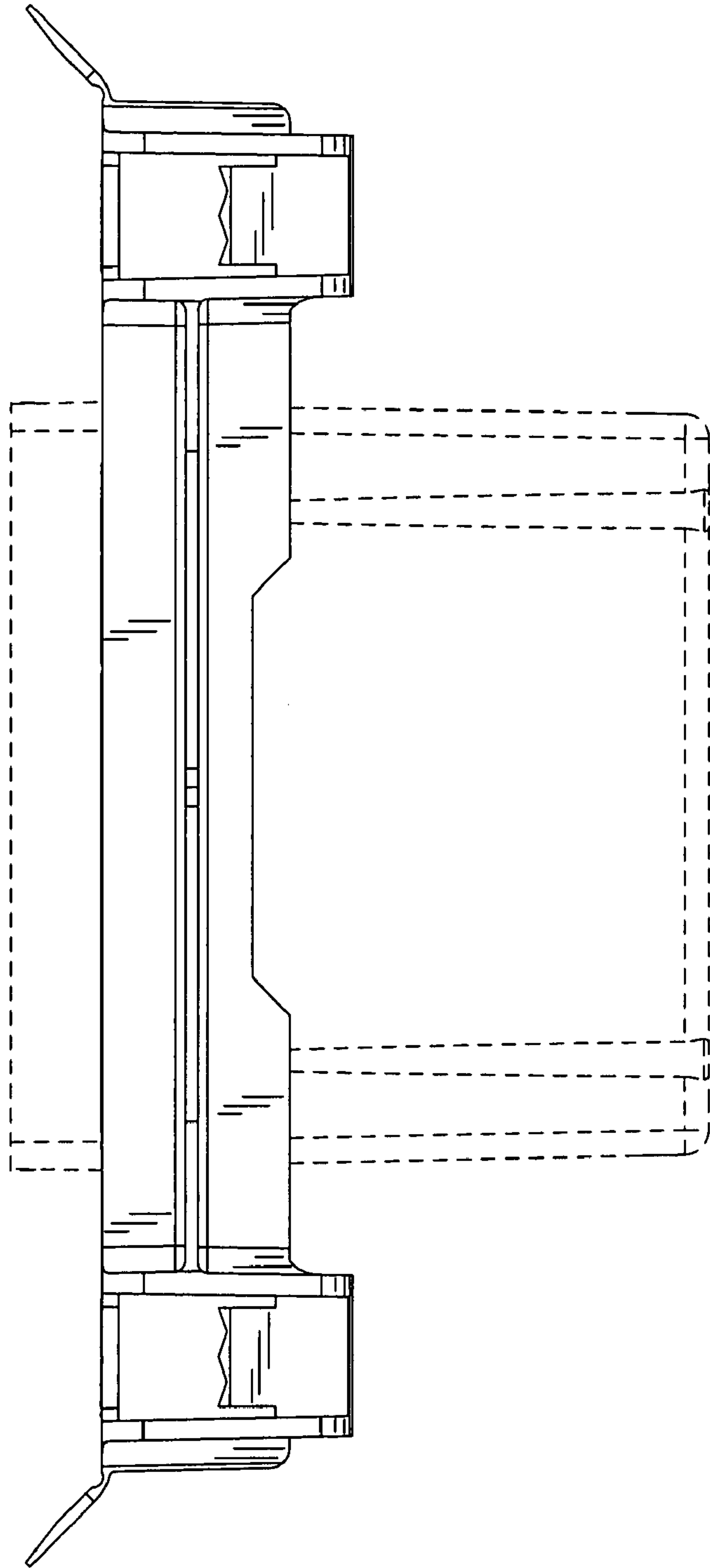


FIG. 6

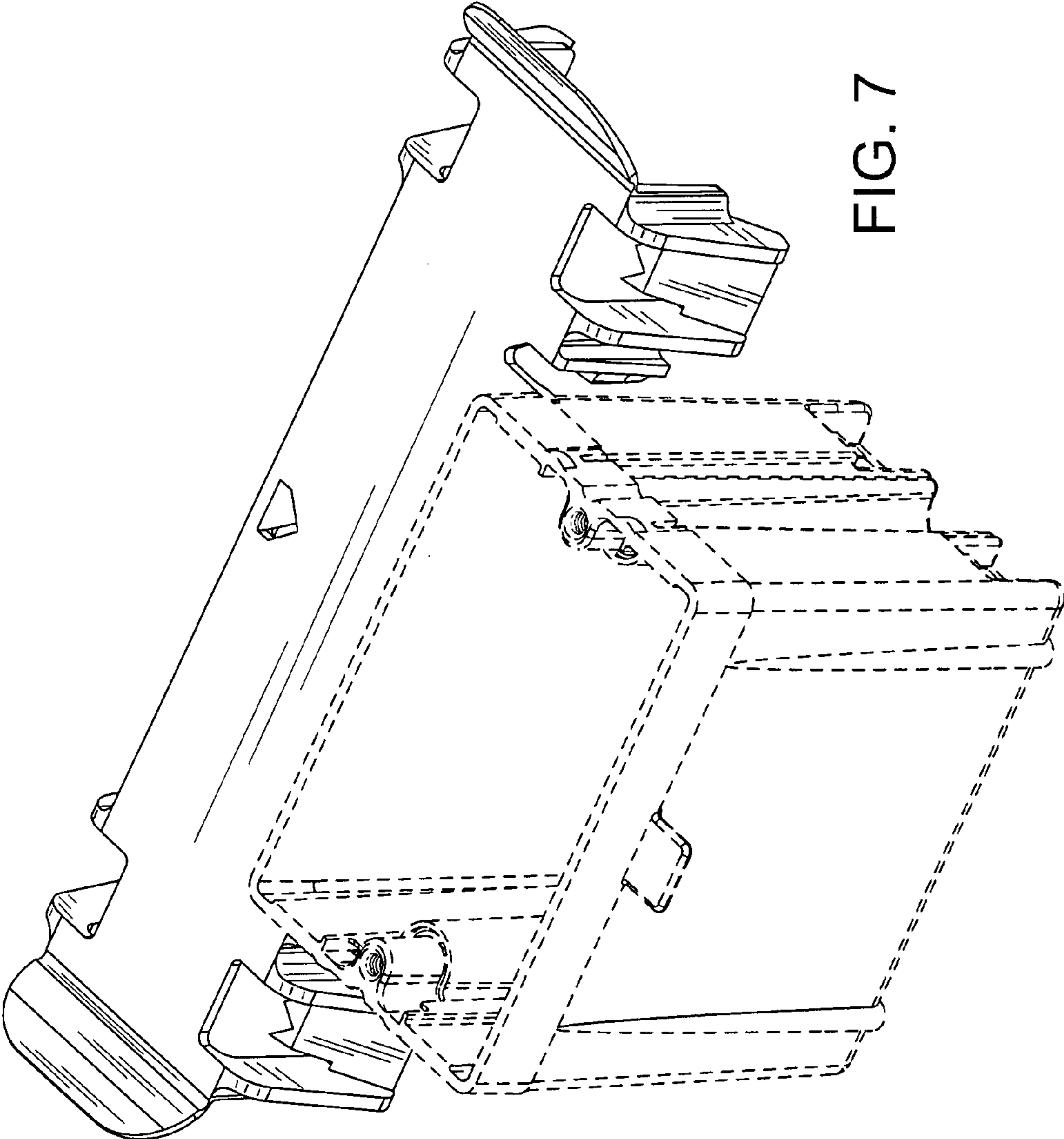


FIG. 7

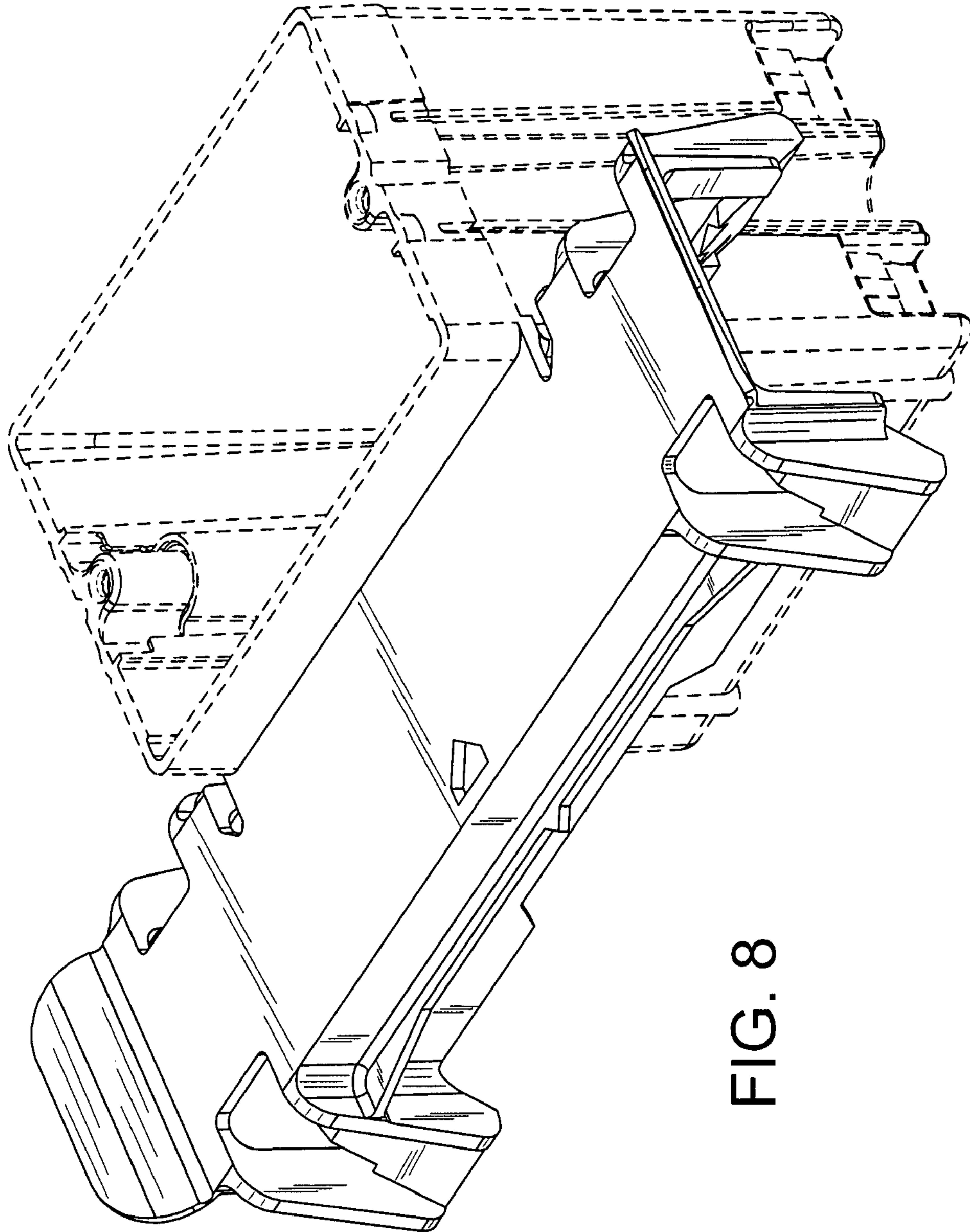


FIG. 8

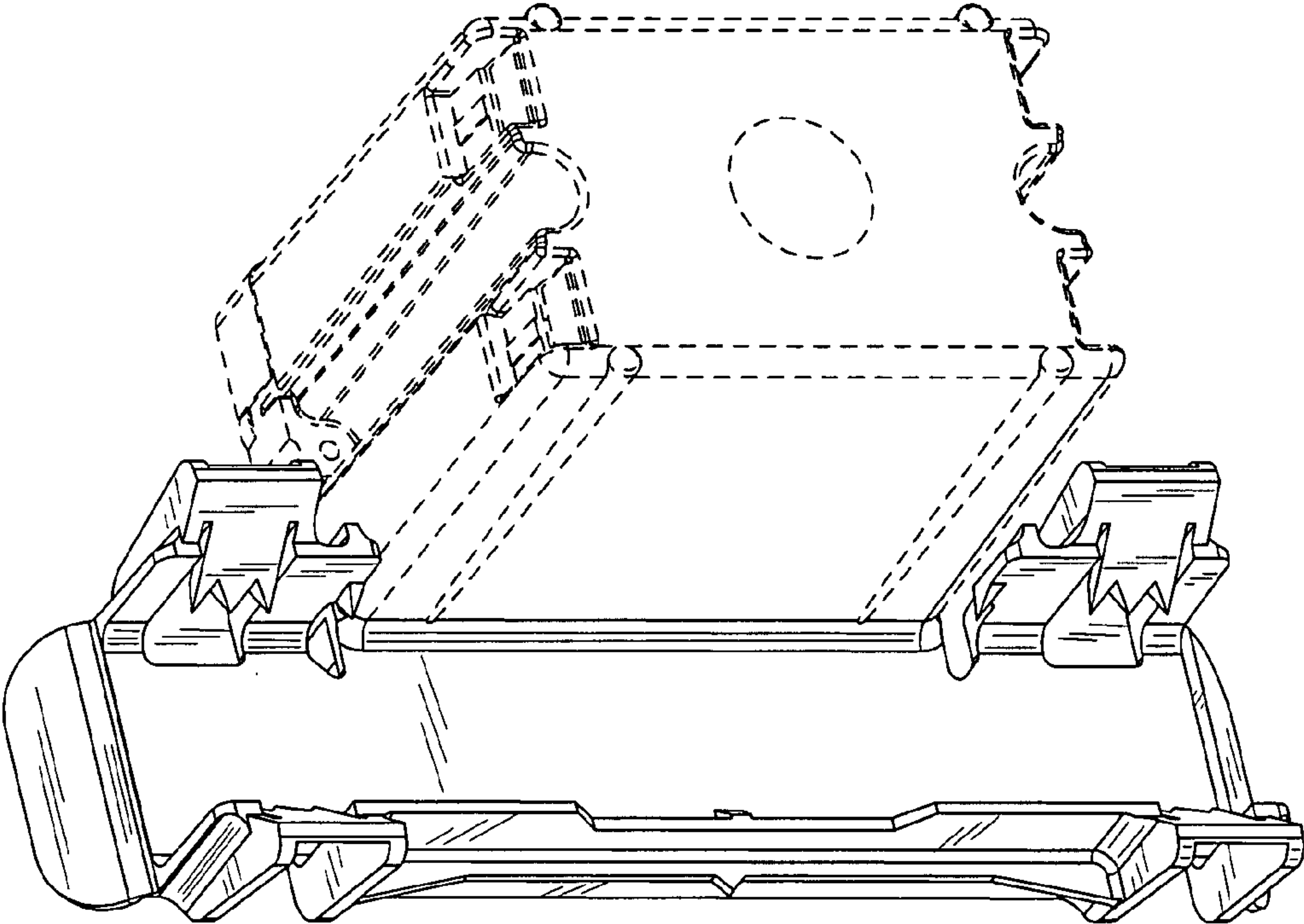


FIG. 9