

US00D557658S

(12) **United States Design Patent** (10) **Patent No.:** **US D557,658 S**
Ledbetter et al. (45) **Date of Patent:** **** Dec. 18, 2007**

(54) **PORTION OF A CHARGER**

(75) Inventors: **Carl J. Ledbetter**, Mercer Island, WA (US); **John Ikeda**, Seattle, WA (US); **John Dan Mabry**, Seattle, WA (US)

(73) Assignee: **Microsoft Corporation**, Redmond, WA (US)

(**) Term: **14 Years**

(21) Appl. No.: **29/248,484**

(22) Filed: **Aug. 17, 2006**

(51) **LOC (8) Cl.** **13-02**

(52) **U.S. Cl.** **D13/108; D13/344**

(58) **Field of Classification Search** D14/240, D14/339, 358, 256, 353, 299, 300, 215, 155; D13/184, 123, 199, 101, 165, 144, 107, 108; 379/433.01-13, 434, 419, 413.04; 220/4.02; 385/16-18, 92; D12/178

See application file for complete search history.

(56) **References Cited**

U.S. PATENT DOCUMENTS

D199,245 S *	9/1964	Skeen	D13/107
D330,885 S *	11/1992	Tattari	D13/108
D341,123 S *	11/1993	Hakanen et al.	D13/108
D349,096 S *	7/1994	Hyvonen	D13/107
D373,756 S *	9/1996	Chen	D13/108
D392,250 S *	3/1998	Yiin	D13/107
D401,222 S *	11/1998	LeBlanc	D13/144
D422,543 S *	4/2000	Tamaribuchi	D12/178
D424,015 S *	5/2000	Minagawa et al.	D13/108

D469,400 S *	1/2003	Shor et al.	D13/107
D481,355 S *	10/2003	Lee	D13/108
D492,249 S *	6/2004	Suomalainen et al.	D13/108
D495,656 S *	9/2004	Faunce et al.	D13/107
D506,455 S *	6/2005	Bey et al.	D14/155
D525,937 S *	8/2006	Seil et al.	D13/144
D525,938 S *	8/2006	Seil et al.	D13/144
D545,274 S *	6/2007	Dong	D13/144

* cited by examiner

Primary Examiner—Charles A. Rademaker

(74) *Attorney, Agent, or Firm*—Banner & Witcoff, Ltd.

(57) **CLAIM**

The ornamental design for a portion of a charger, as shown and described.

DESCRIPTION

FIG. 1 is a front perspective view of a portion of a charger showing our new design;

FIG. 2 is a rear view thereof;

FIG. 3 is a front view thereof;

FIG. 4 is a right side view thereof;

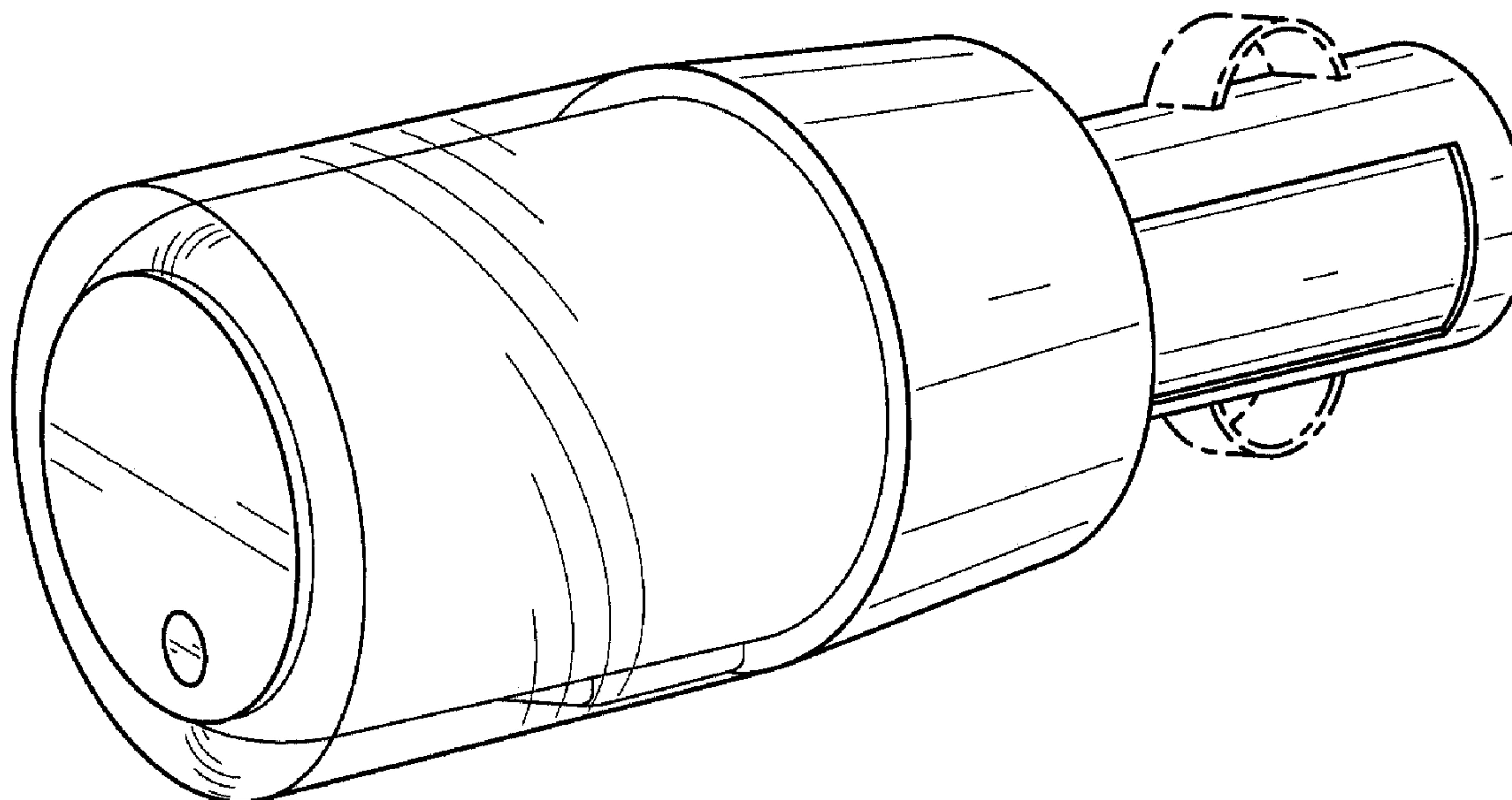
FIG. 5 is a left side view thereof;

FIG. 6 is a top view thereof; and,

FIG. 7 is a bottom view thereof.

The broken line showing of various regions in the Figures, including the unshaded areas therein, is for illustrative purposes only and forms no part of the claimed design.

1 Claim, 4 Drawing Sheets



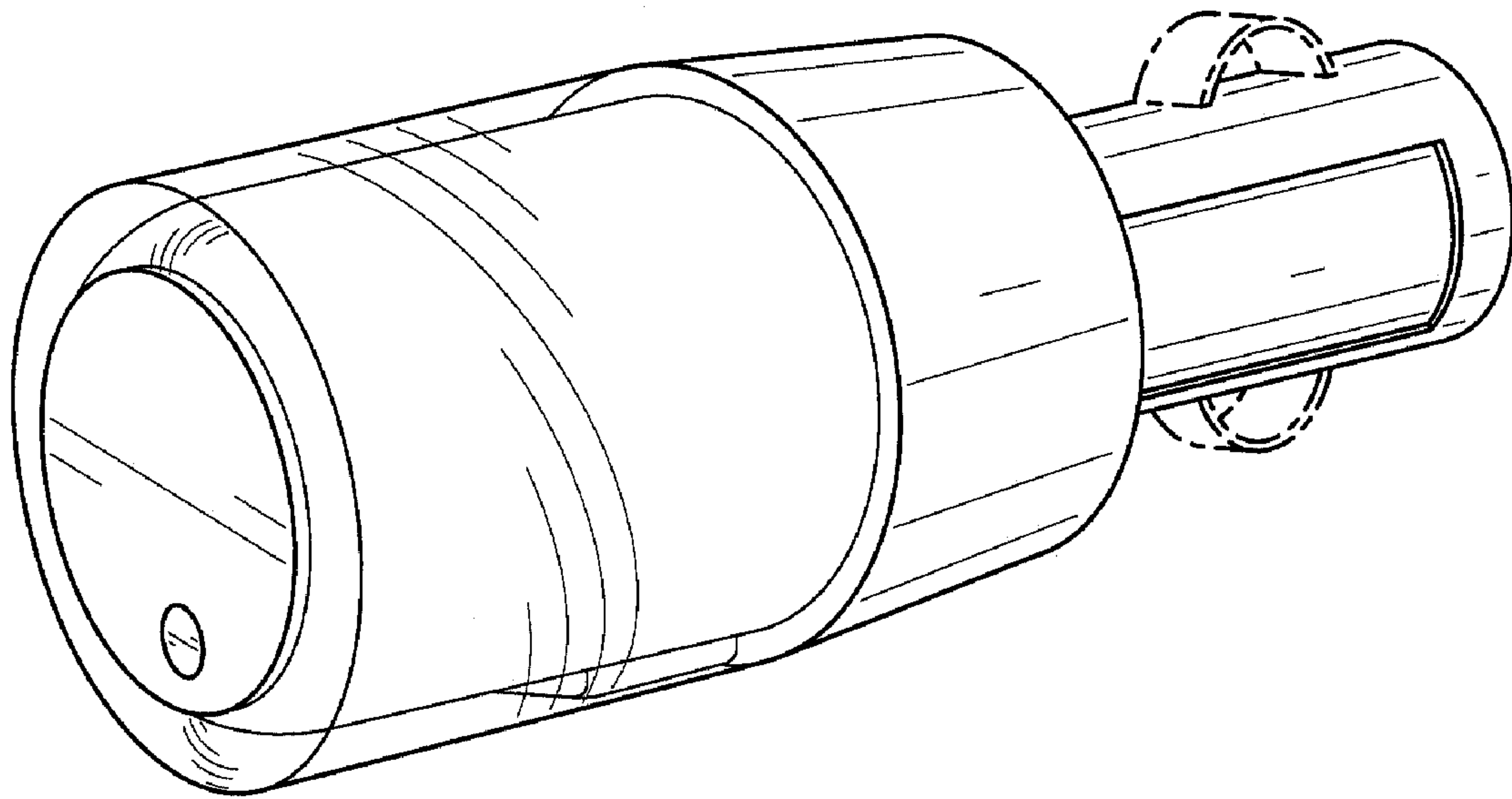


FIG. 1

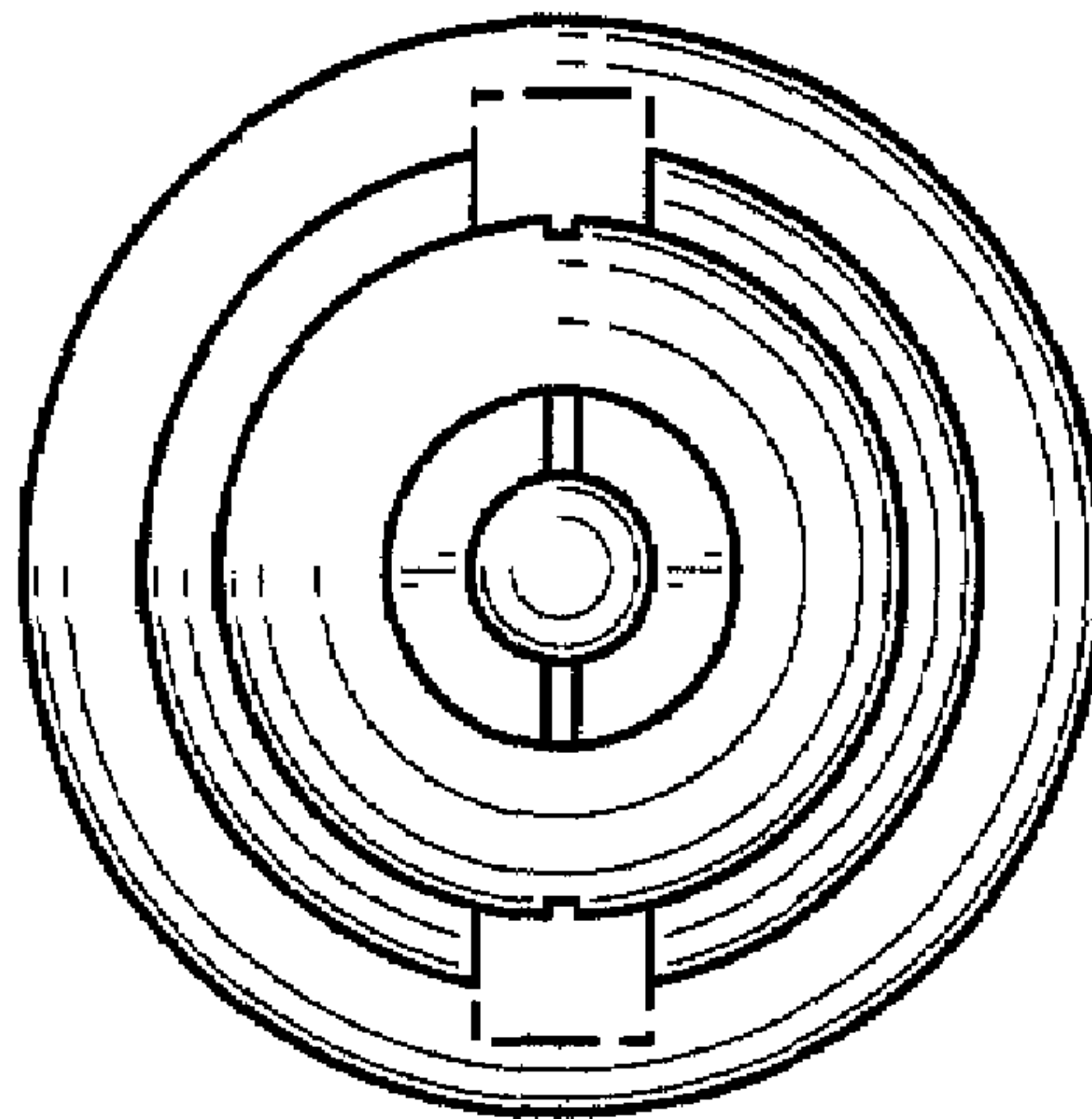


FIG. 2

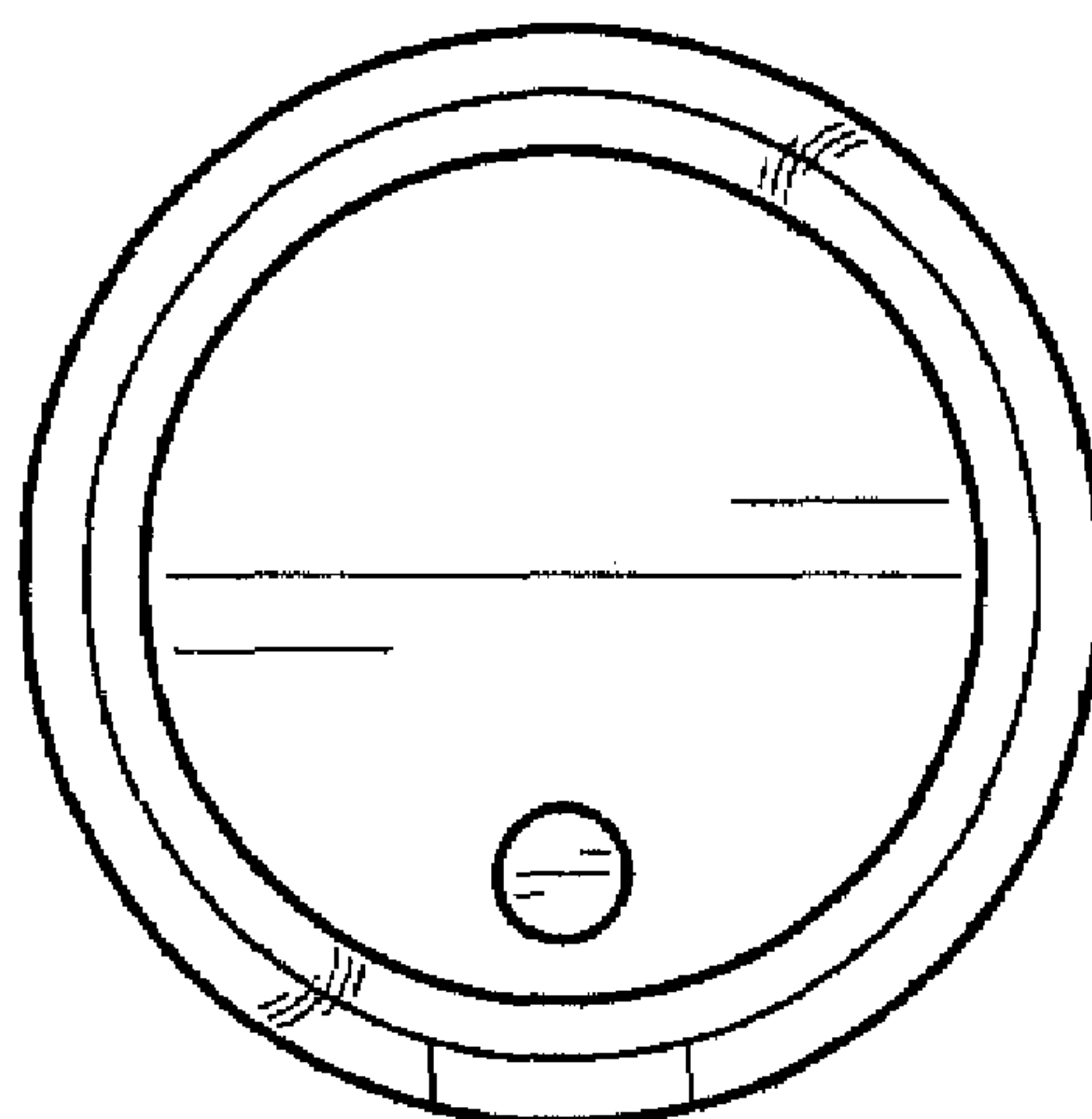


FIG. 3

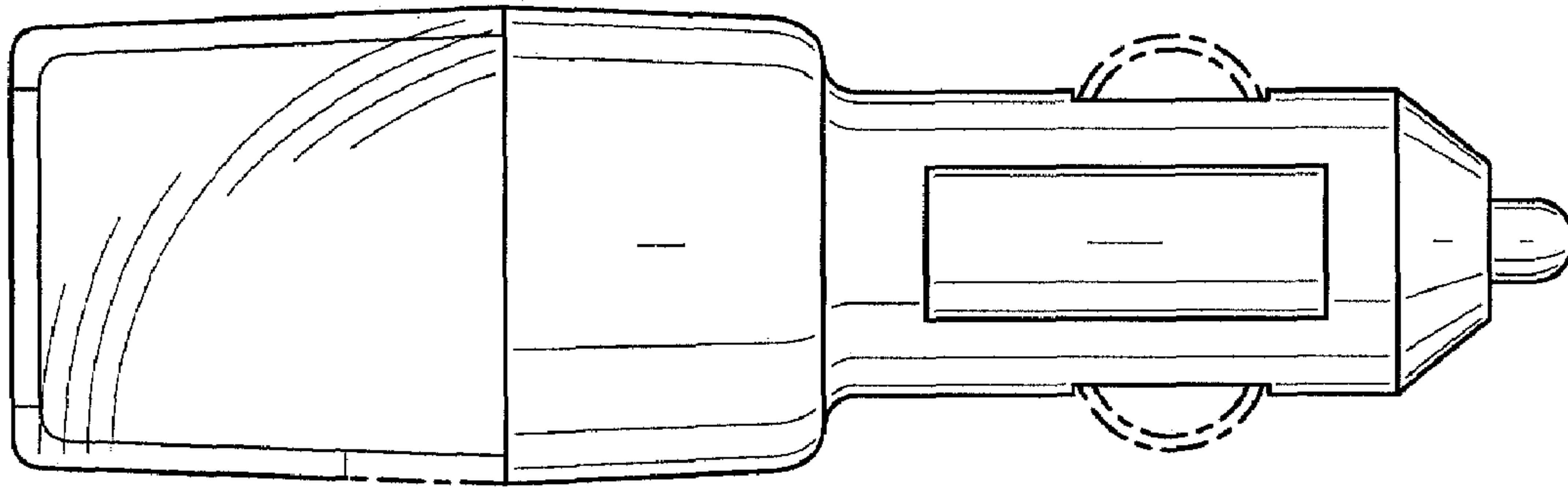


FIG. 4

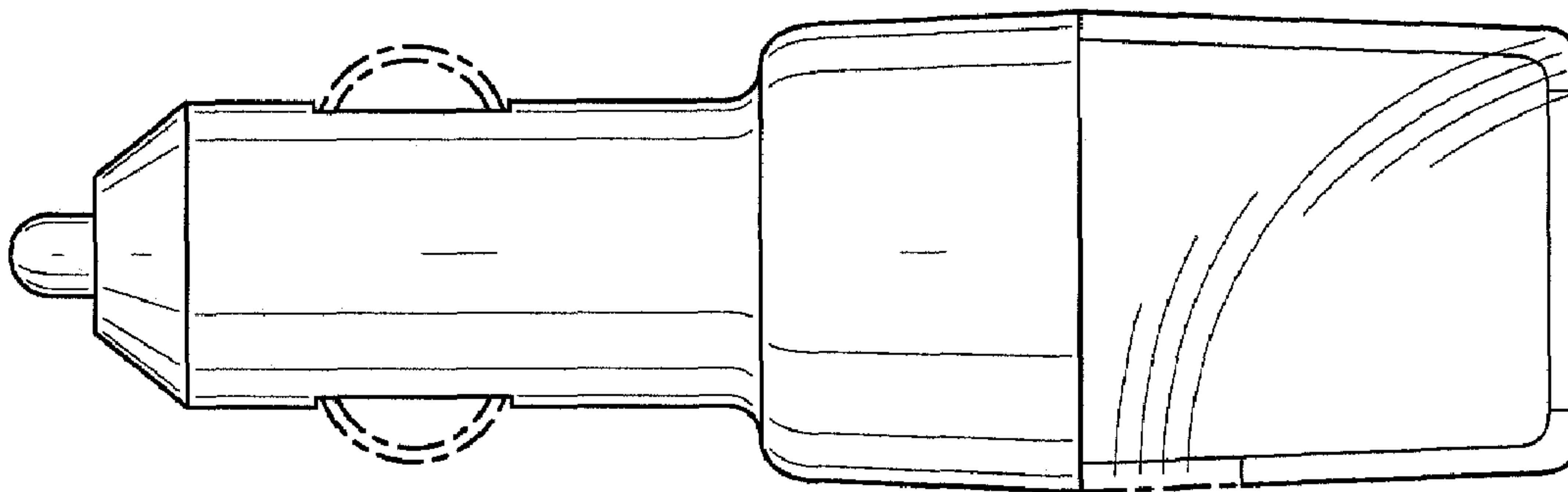


FIG. 5

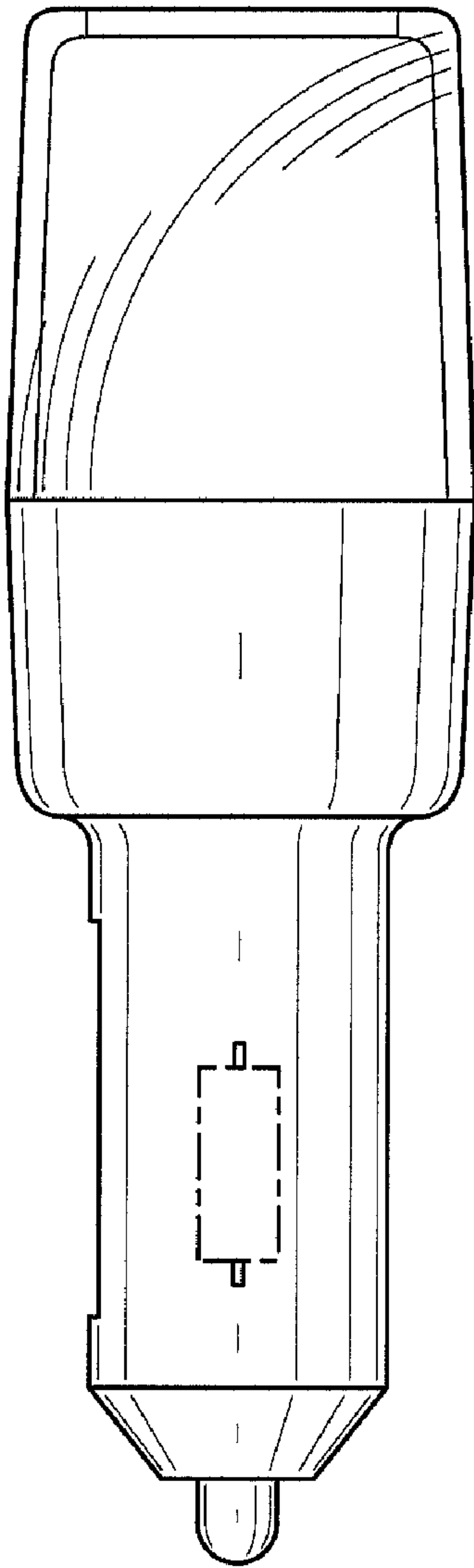


FIG. 6

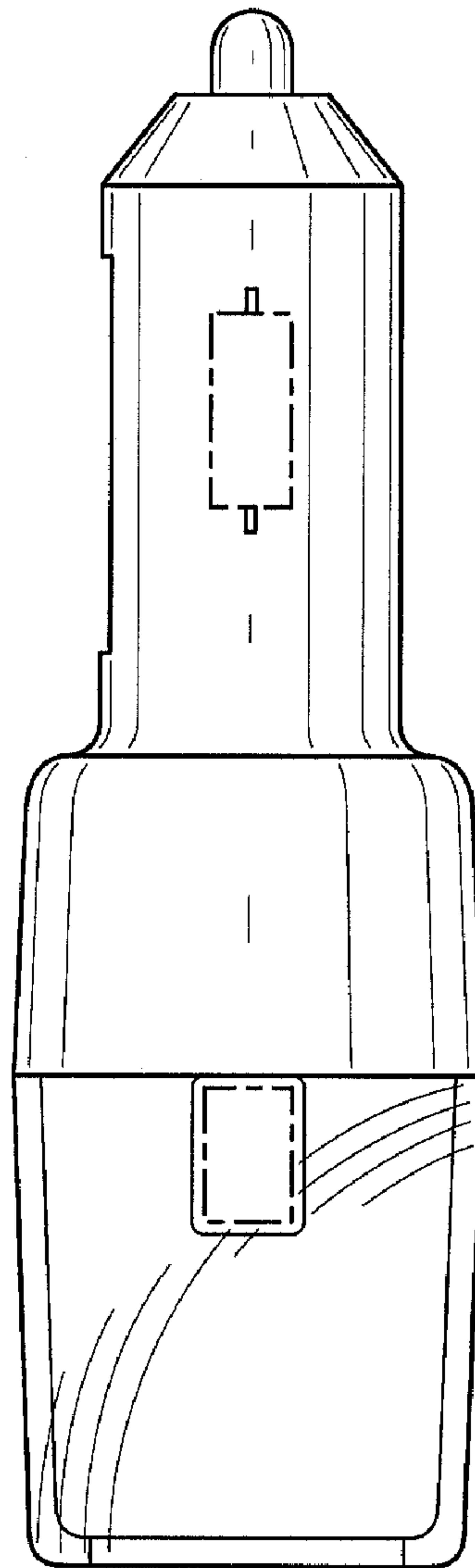


FIG. 7