



US00D557652S

(12) **United States Design Patent**
Gassew

(10) **Patent No.:** **US D557,652 S**

(45) **Date of Patent:** **** Dec. 18, 2007**

(54) **BOAT FENDER HOOK**

(76) Inventor: **Garry L. Gassew**, 3001 SW. 3rd Ave.,
Unit #1, Fort Lauderdale, FL (US)
33315

(**) Term: **14 Years**

(21) Appl. No.: **29/285,942**

(22) Filed: **Apr. 17, 2007**

(51) **LOC (8) Cl.** **12-06**

(52) **U.S. Cl.** **D12/317**

(58) **Field of Classification Search** D12/168-172,
D12/300, 303, 304, 307, 315-318; 114/218,
114/219, 220, 343, 364; 248/304, 640; 224/535;
D8/382, 394-396; 24/464, 545, 546, 559,
24/563, 74.2, 300, 301, 316.7, 229.26
See application file for complete search history.

(56) **References Cited**

U.S. PATENT DOCUMENTS

4,280,435	A *	7/1981	Loomis	114/219
4,895,094	A *	1/1990	Carlstedt	114/218
4,998,495	A *	3/1991	Bos et al.	114/218
D341,078	S *	11/1993	Saavedra	D8/395
5,299,521	A *	4/1994	Loucks	114/219
5,493,983	A *	2/1996	Hurt	114/364

D384,574	S *	10/1997	Cox	D8/349
D453,294	S *	2/2002	Bitzer	D8/395
6,863,011	B2 *	3/2005	Kinkead	114/219
D548,668	S *	8/2007	Walton et al.	D12/317
2002/0050241	A1 *	5/2002	Leonard et al.	114/220
2004/0107887	A1 *	6/2004	Kinkead	114/219

* cited by examiner

Primary Examiner—Holly H. Baynham

Assistant Examiner—Cynthia M. Chin

(74) *Attorney, Agent, or Firm*—Gold & Rizvi, P.A.; Glenn E. Gold; H. John Rizvi

(57) **CLAIM**

I claim the ornamental design for a boat fender hook, as shown and described.

DESCRIPTION

FIG. 1 is a perspective view of the boat fender hook showing my new design;

FIG. 2 is a left side view thereof;

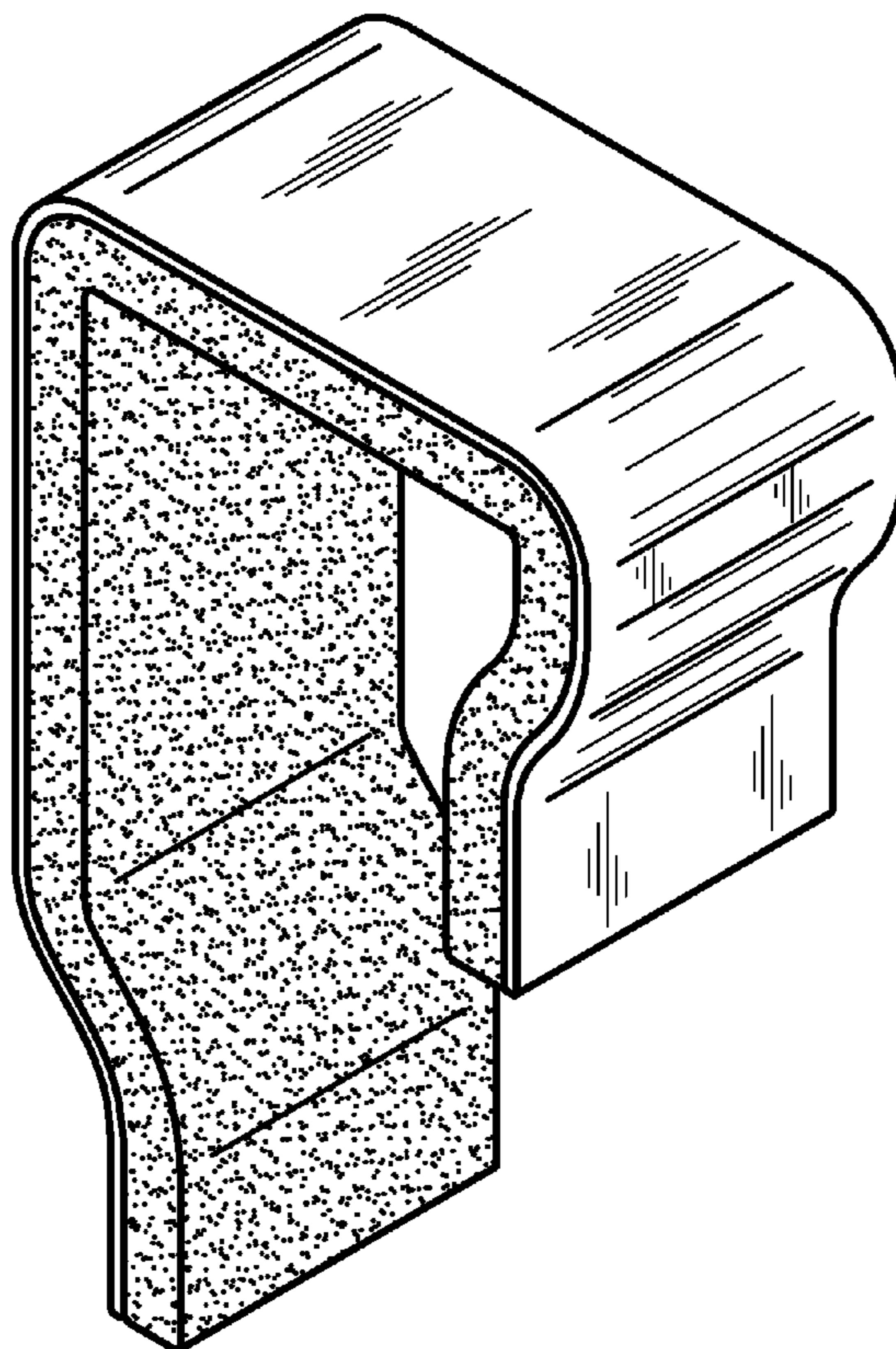
FIG. 3 is a top view thereof;

FIG. 4 is a bottom view thereof;

FIG. 5 is a rear elevational view thereof; and,

FIG. 6 is a front elevational view thereof.

1 Claim, 2 Drawing Sheets



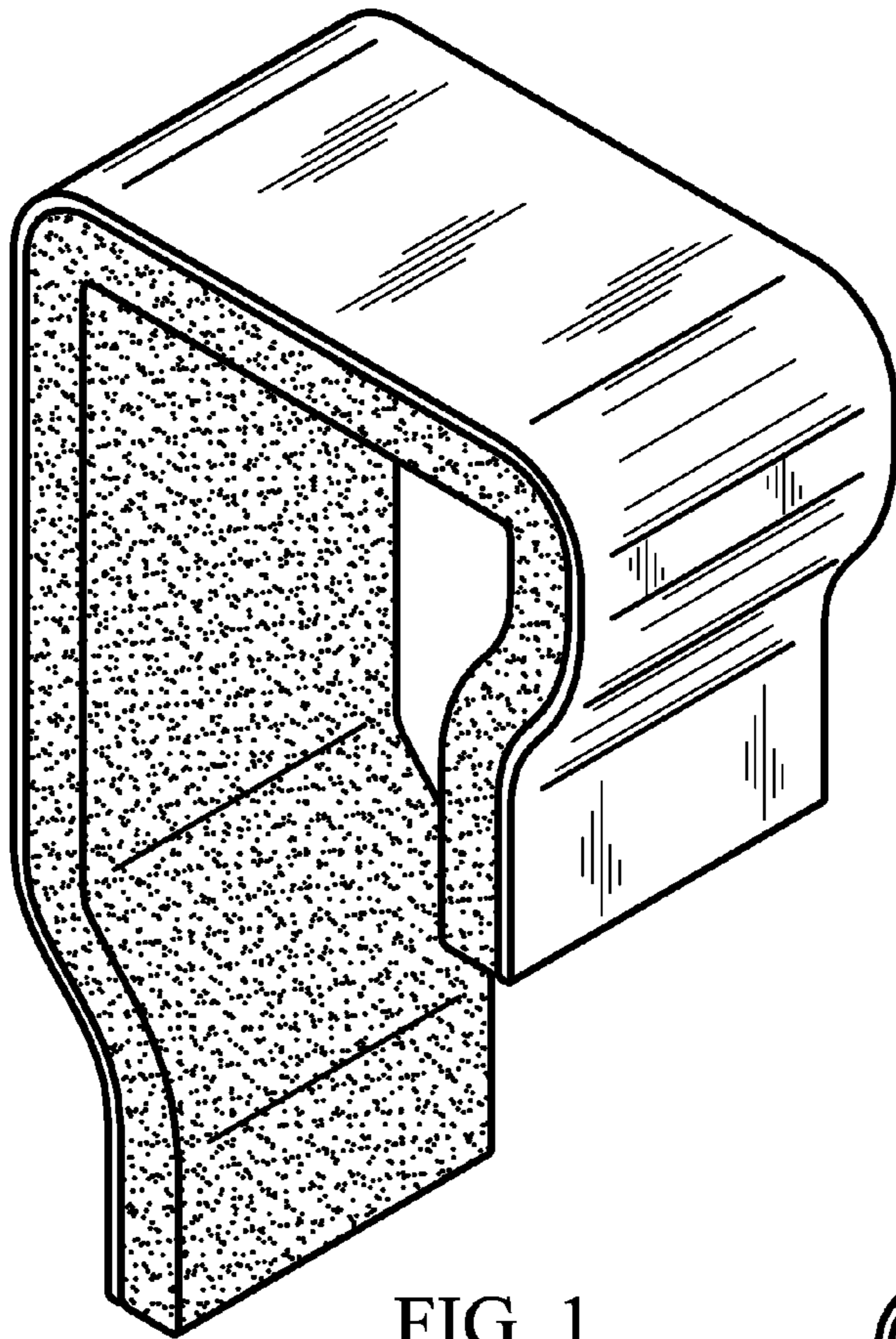


FIG. 1

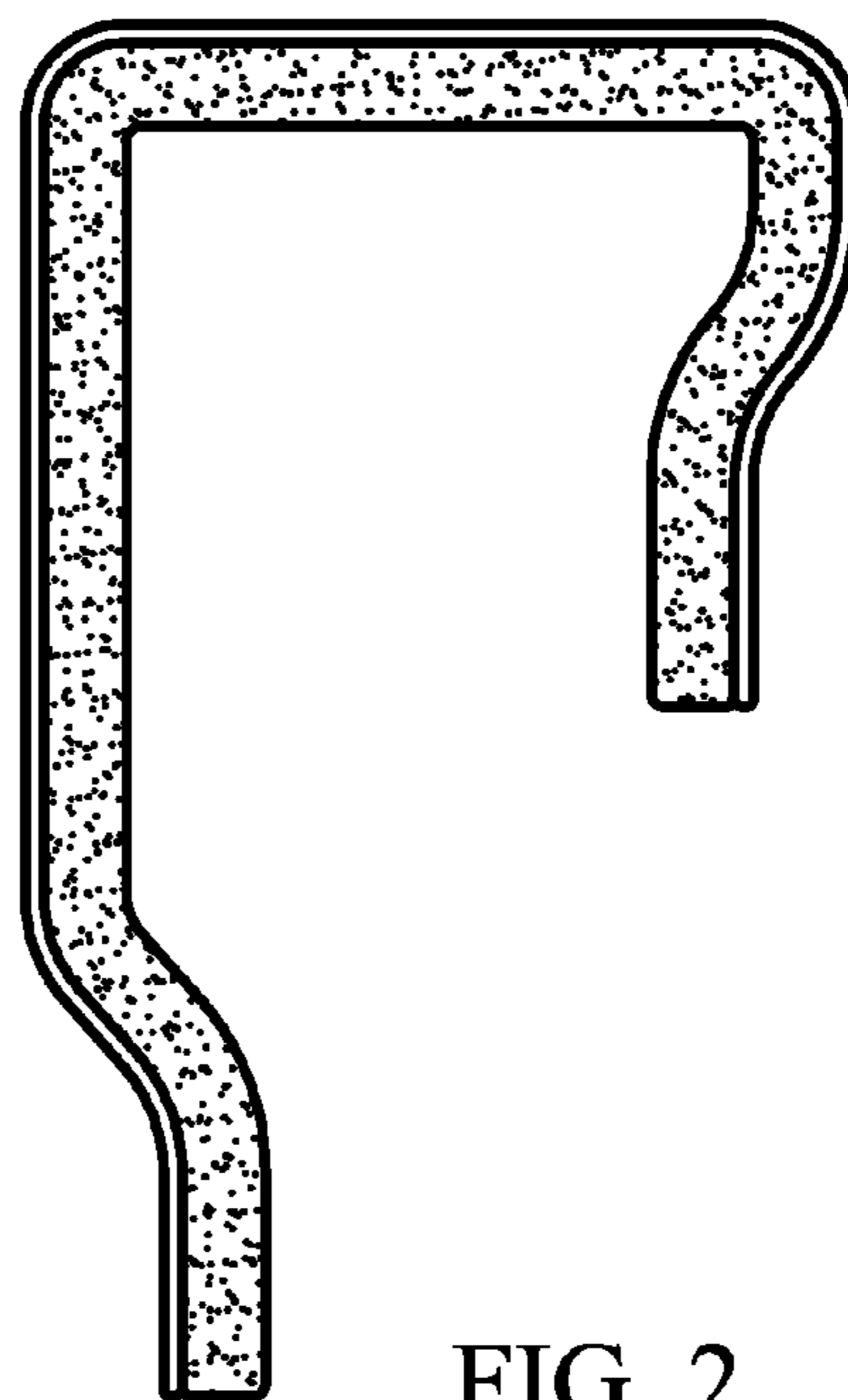


FIG. 2

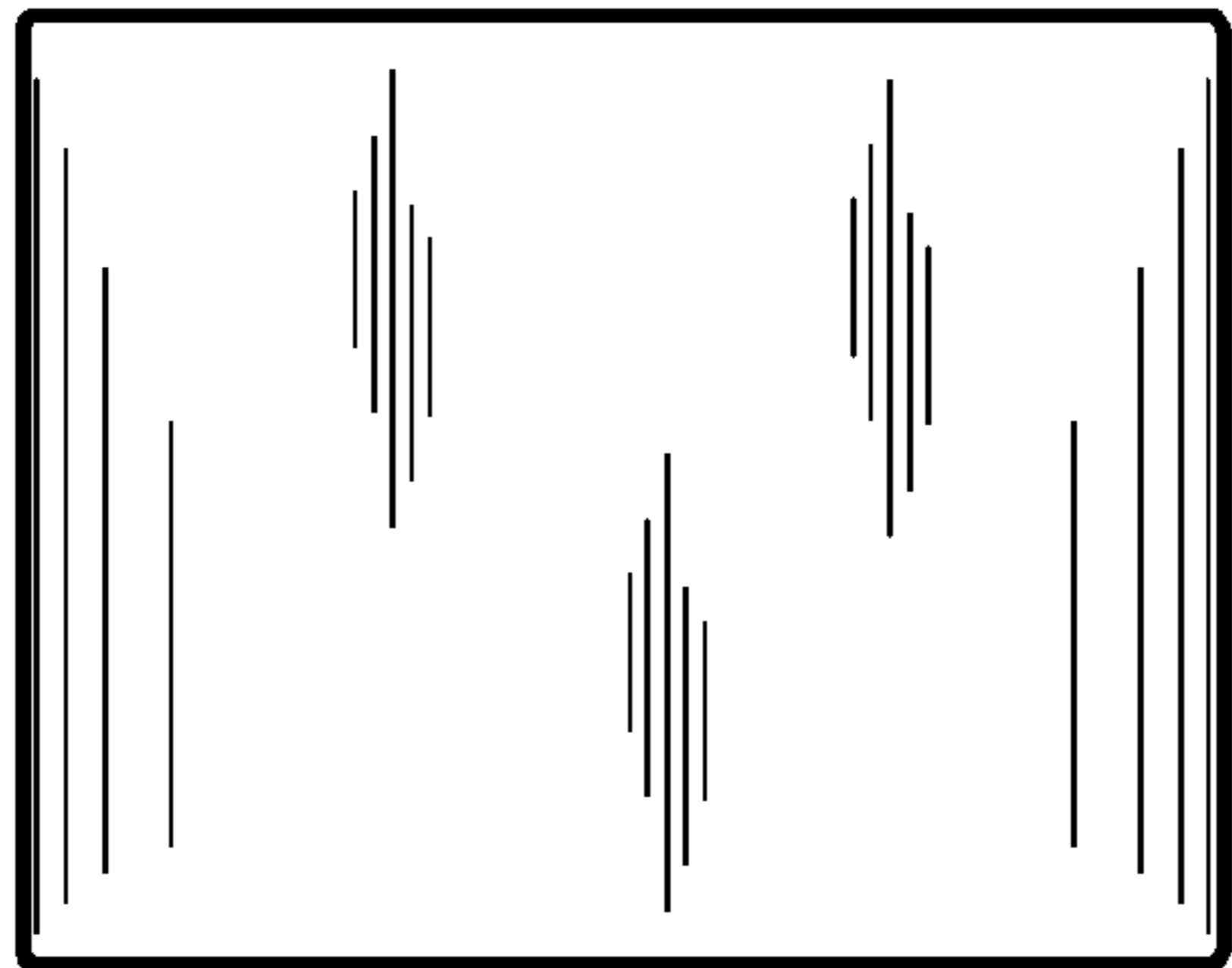


FIG. 3

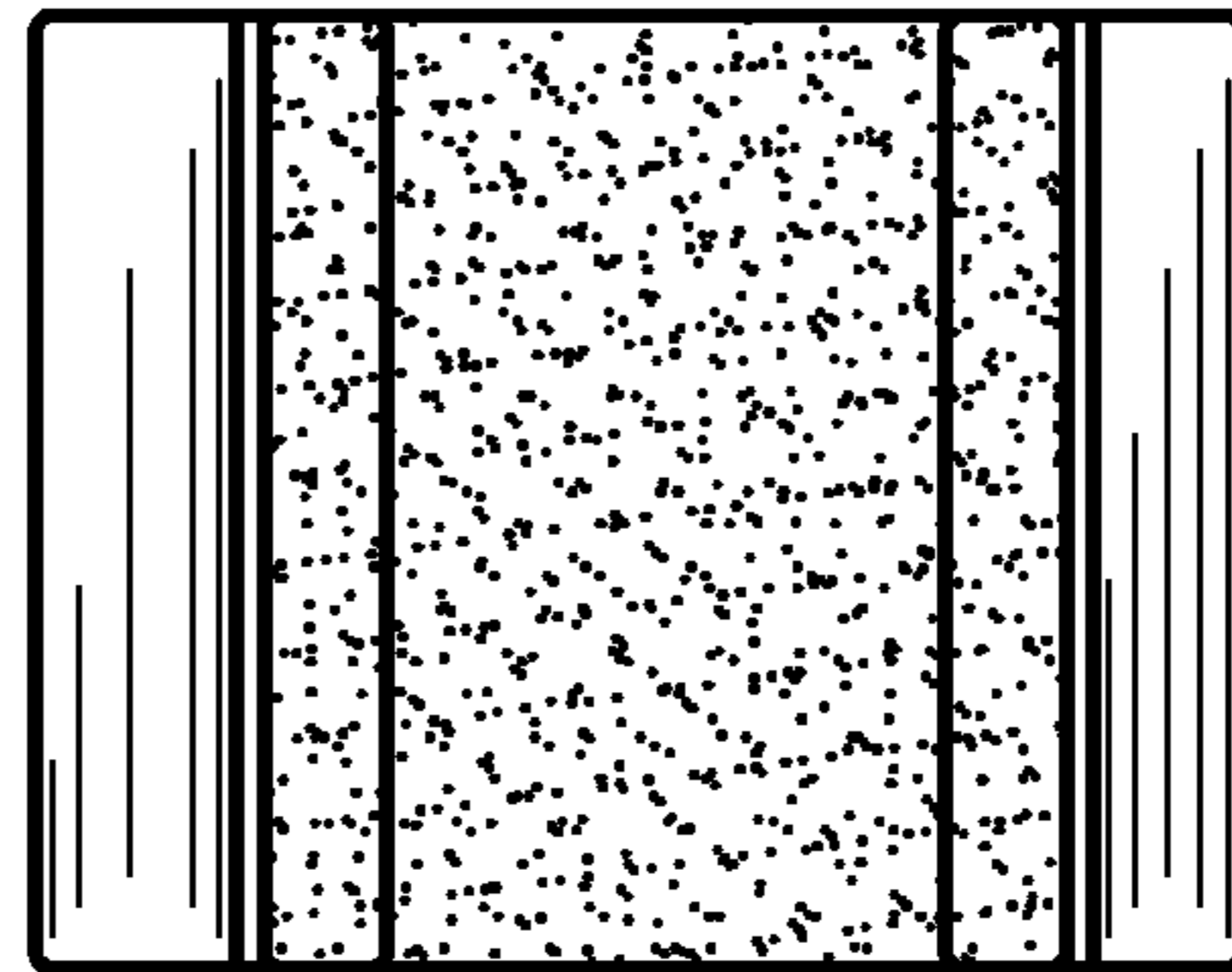


FIG. 4

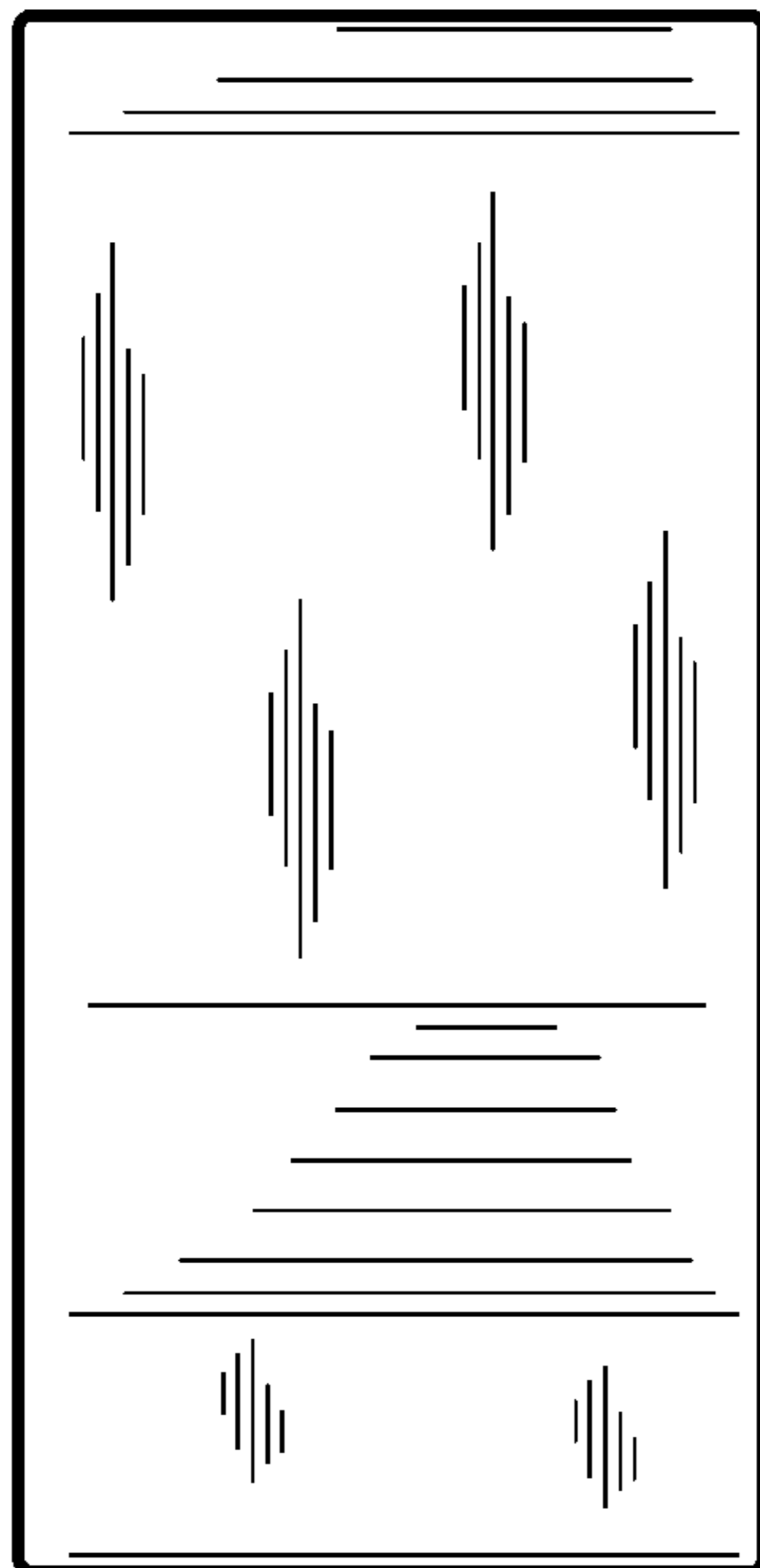


FIG. 5

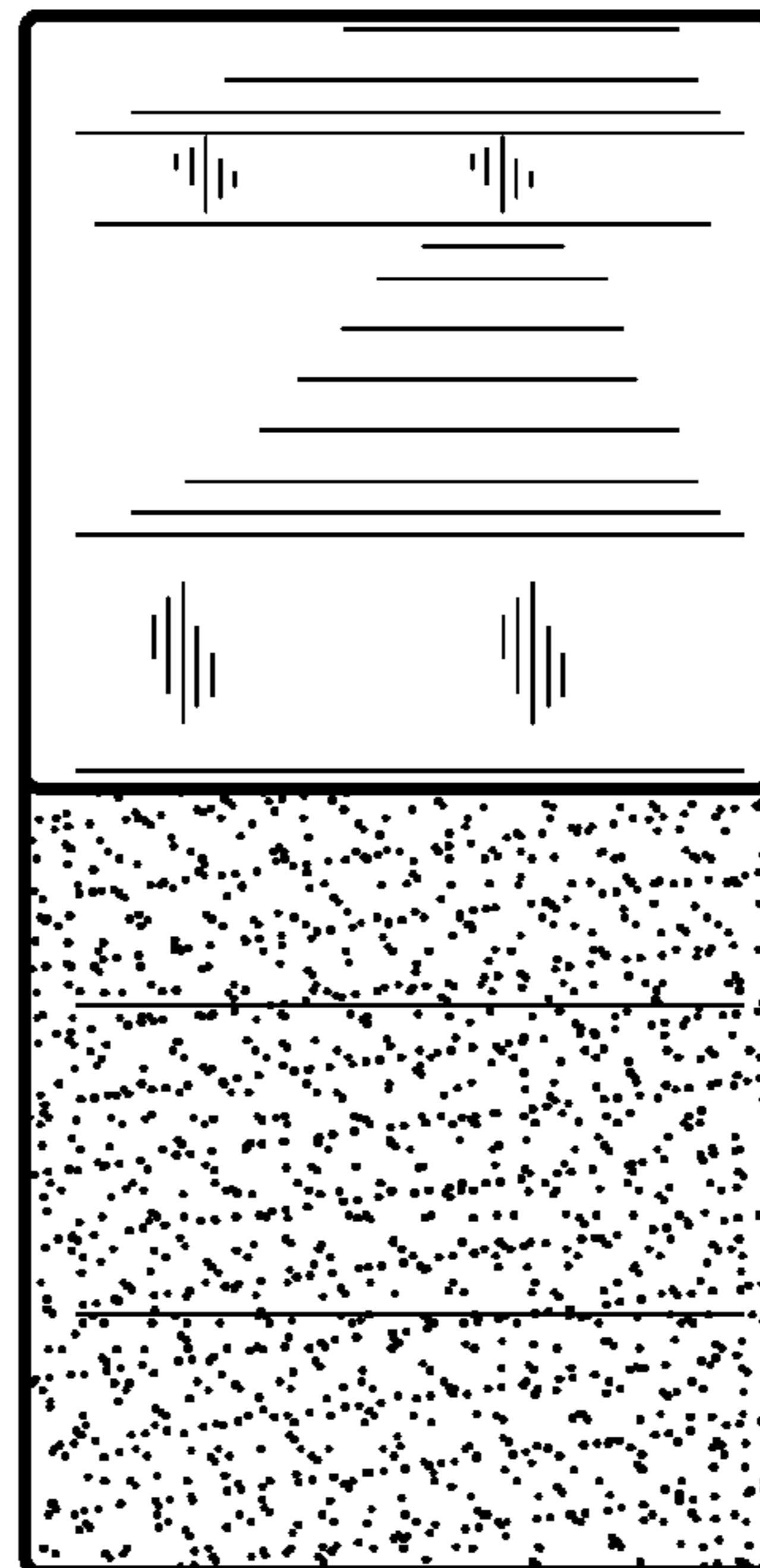


FIG. 6