



US00D557651S

(12) **United States Design Patent** (10) **Patent No.:** **US D557,651 S**
Gassew (45) **Date of Patent:** **** Dec. 18, 2007**

(54) **BOAT FENDER HOOK**

2002/0050241 A1* 5/2002 Leonard et al. 114/220

(76) Inventor: **Garry L. Gassew**, 3001 SW. 3rd Ave.,
Unit 1, Ft. Lauderdale, FL (US) 33315

* cited by examiner

Primary Examiner—Holly H. Baynham

Assistant Examiner—Cynthia M. Chin

(74) *Attorney, Agent, or Firm*—Gold & Rizvi, P.A.; Glenn E. Gold; H. John Rizvi

(**) Term: **14 Years**

(21) Appl. No.: **29/270,324**

(57) **CLAIM**

(22) Filed: **Dec. 20, 2006**

I claim the ornamental design for a boat fender hook, as shown and described.

(51) **LOC (8) Cl.** **12-06**

(52) **U.S. Cl.** **D12/317**

(58) **Field of Classification Search** D12/168–172,
D12/300, 303, 304, 307, 315–318; 114/219,
114/220, 343, 364; 248/304, 640; 224/535
See application file for complete search history.

DESCRIPTION

FIG. 1 is a left side view of the boat fender hook showing my new design, the right side view being a mirror image thereof;

FIG. 2 is a top view thereof;

FIG. 3 is a bottom view thereof;

FIG. 4 is a rear view thereof;

FIG. 5 is a front view thereof; and,

FIG. 6 is a left front perspective view thereof.

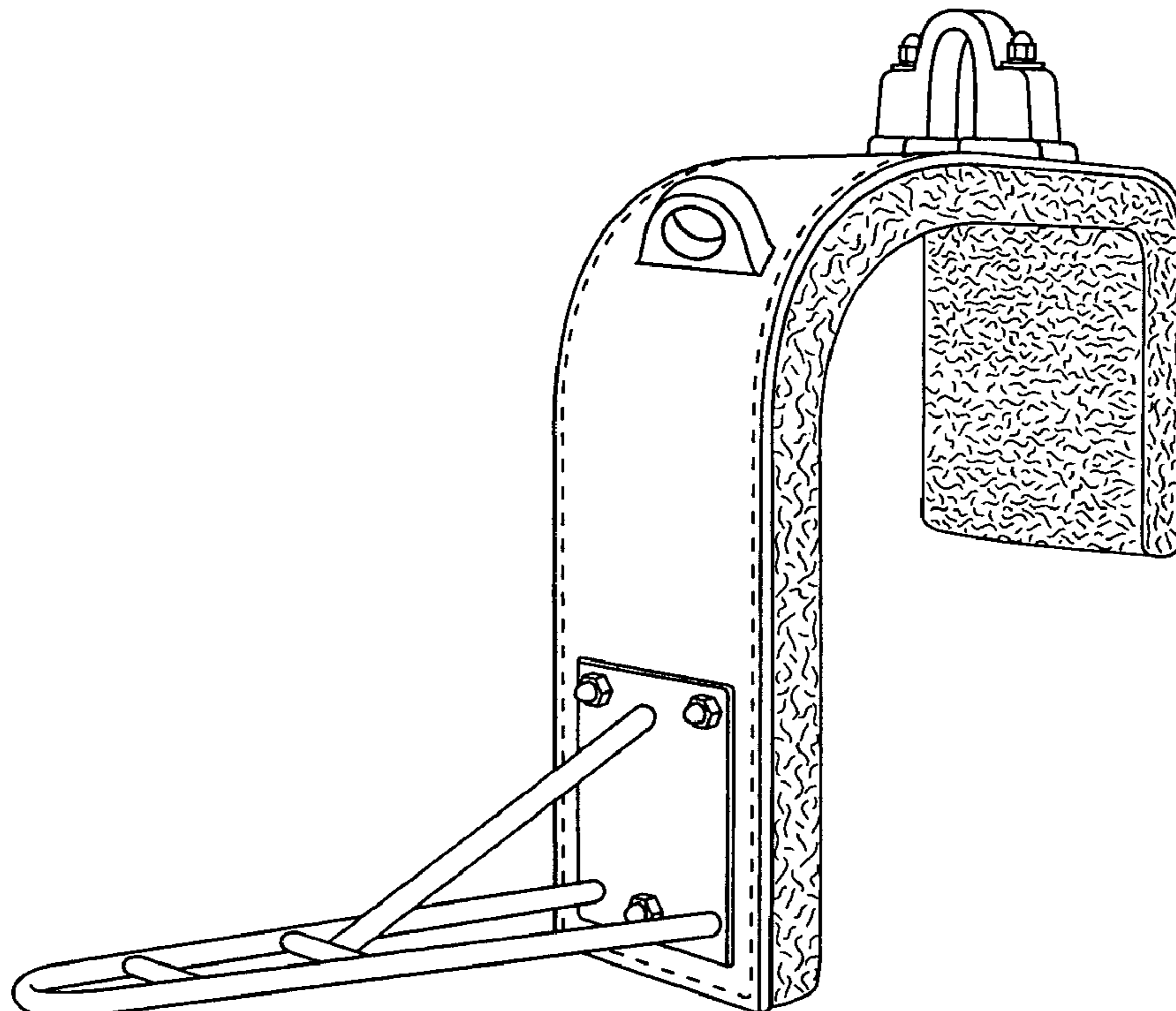
The broken lines are for illustrative purposes only and form no part of the claimed design.

(56) **References Cited**

U.S. PATENT DOCUMENTS

4,676,414	A *	6/1987	Deguevara	224/535
D322,423	S *	12/1991	Greenberg	D12/317
5,320,324	A *	6/1994	Norton	248/640
5,364,054	A *	11/1994	Miller et al.	248/304
D363,695	S *	10/1995	Sargent	D12/317
5,493,983	A *	2/1996	Hurt	114/364
D507,784	S *	7/2005	Lowery	D12/317

1 Claim, 6 Drawing Sheets



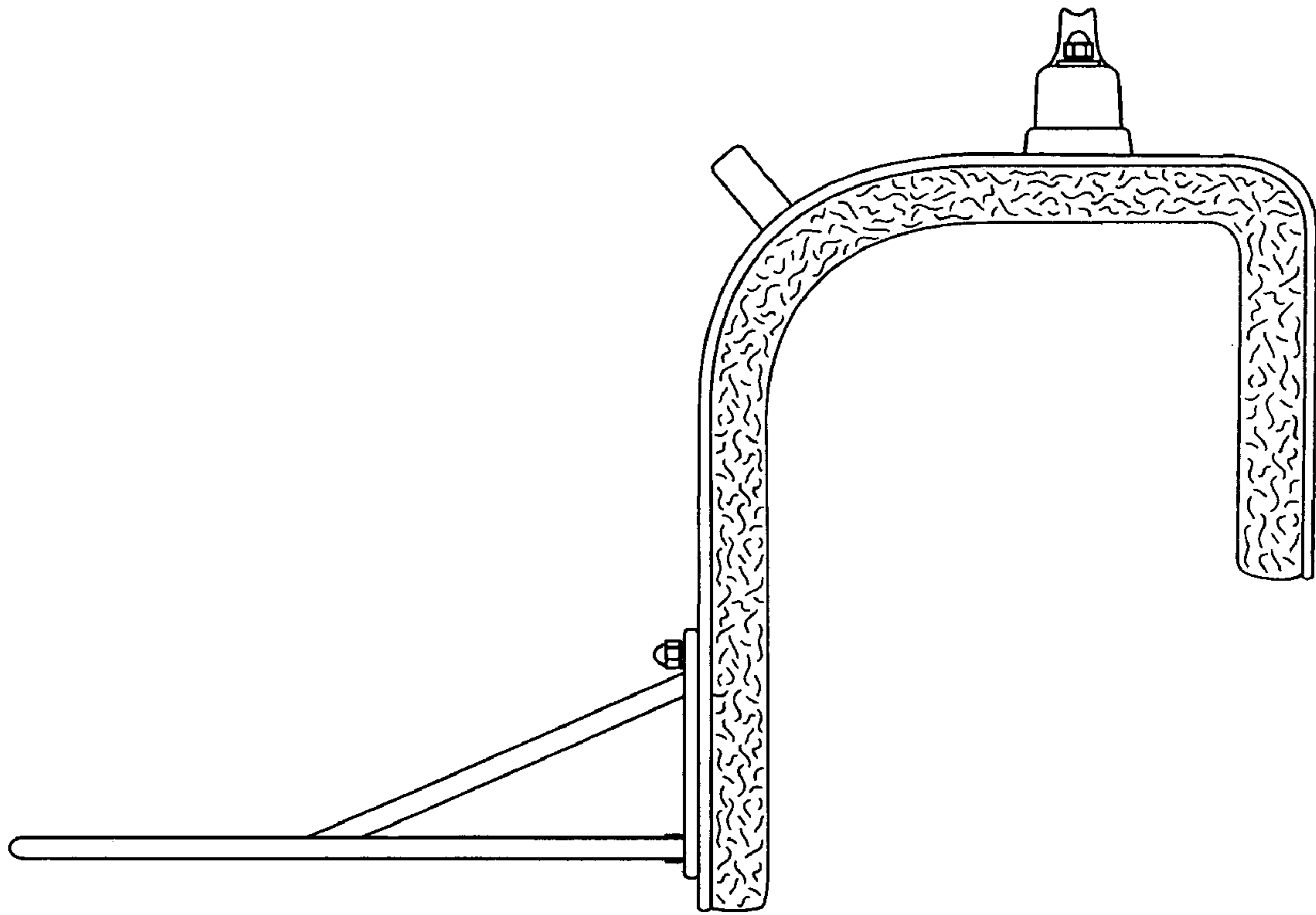


Fig. 1

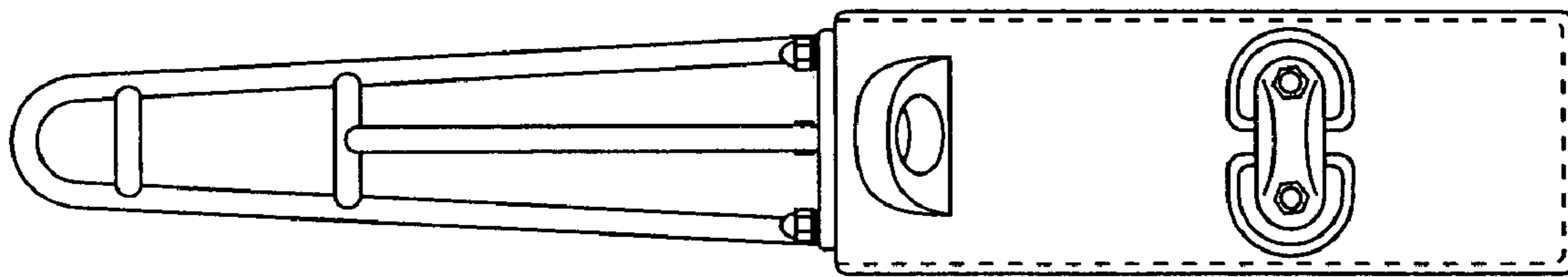


Fig. 2

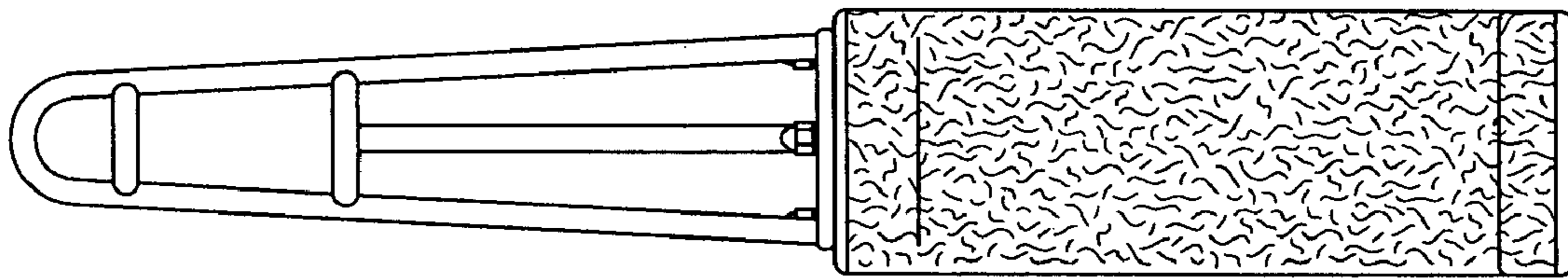


Fig. 3

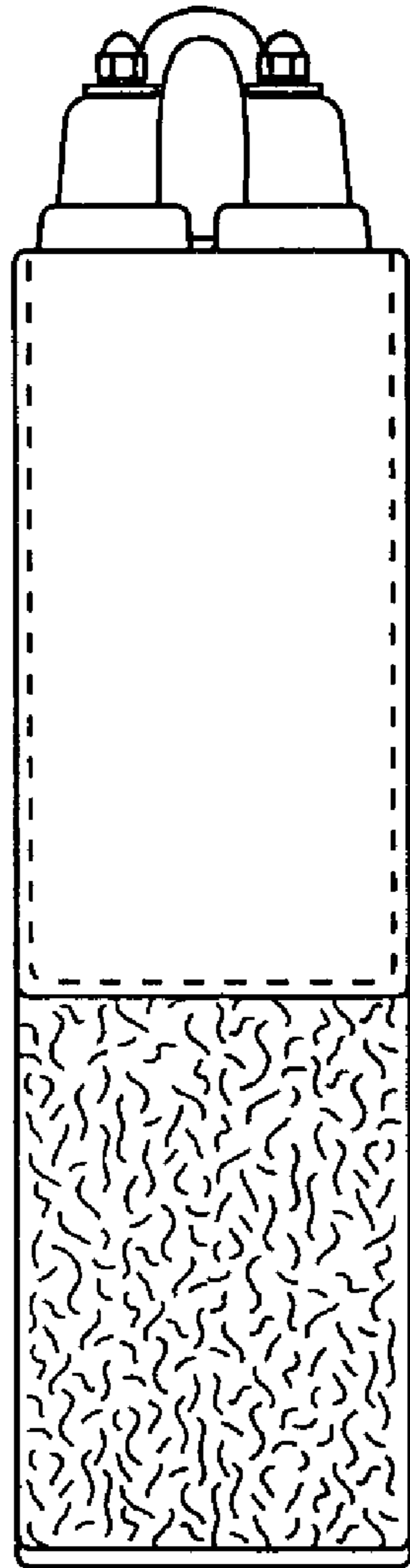


Fig. 4

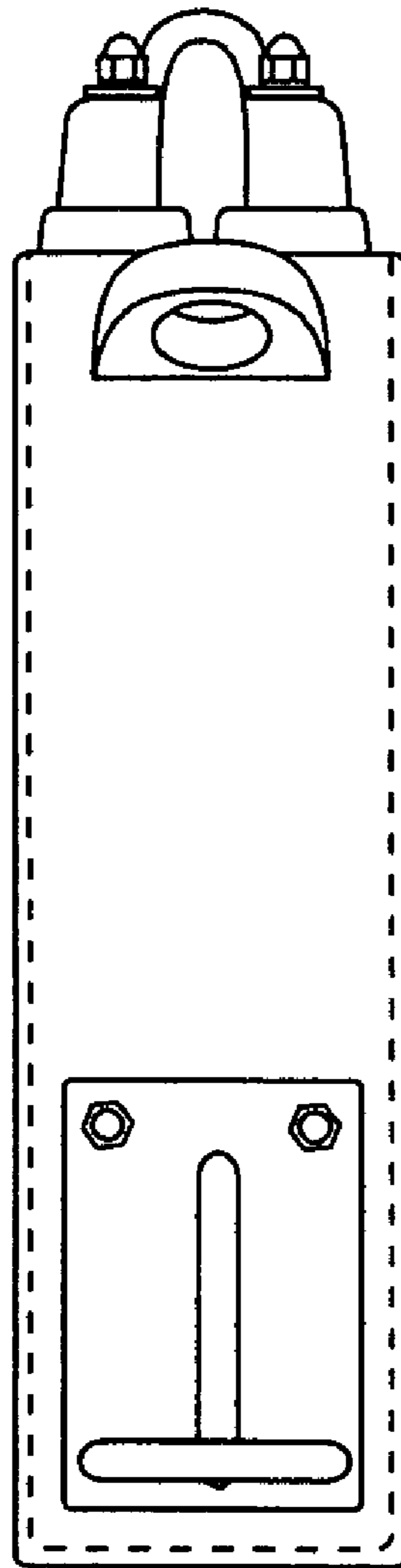


Fig. 5

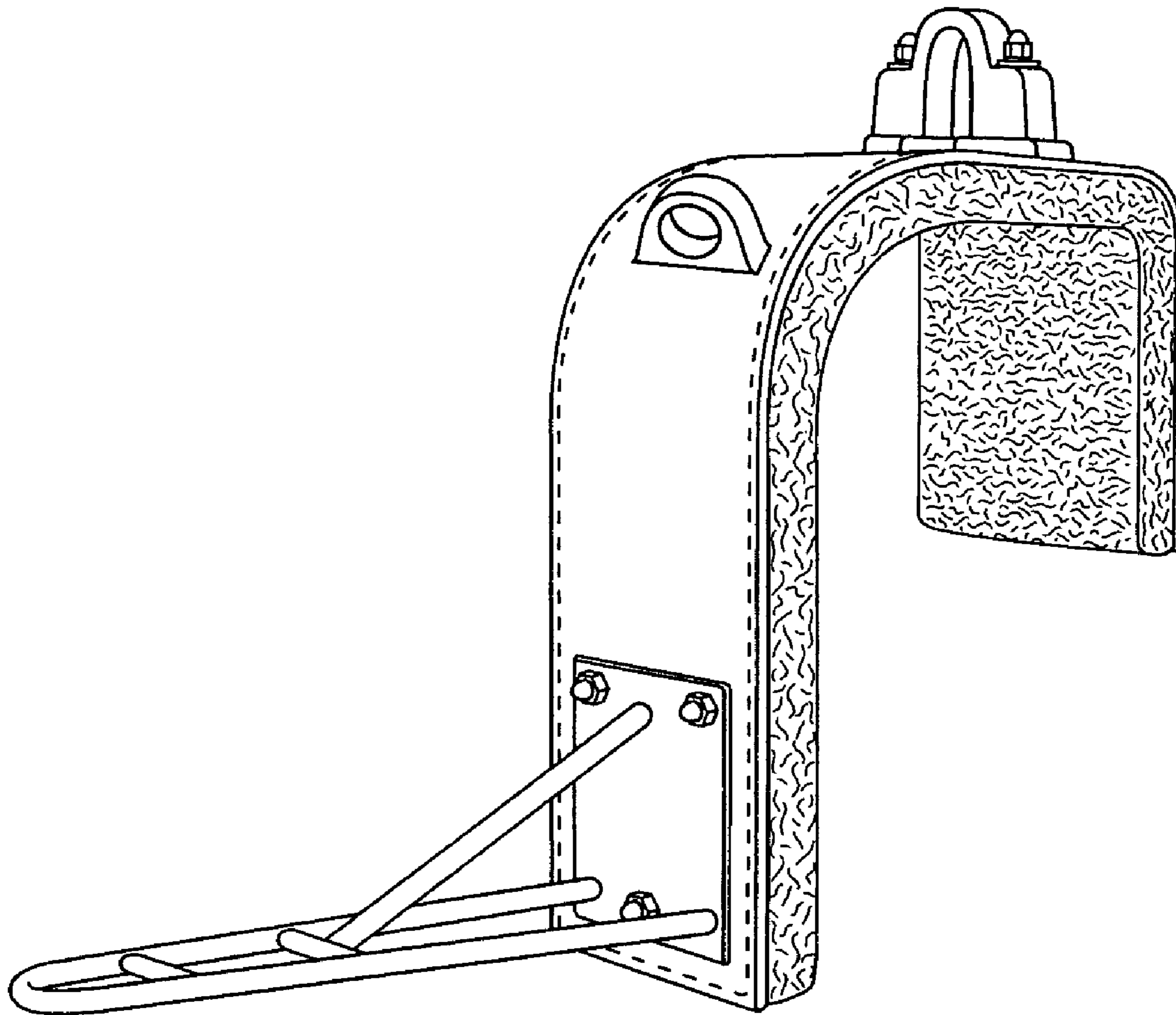


Fig. 6