



US00D557641S

(12) **United States Design Patent** (10) **Patent No.:** **US D557,641 S**
Davidson (45) **Date of Patent:** **** Dec. 18, 2007**

(54) **VEHICLE GRILLE**

(56) **References Cited**

(75) Inventor: **Benjamin R. Davidson**, Redondo Beach, CA (US)

U.S. PATENT DOCUMENTS

(73) Assignee: **Honda Motor Co., Ltd.**, Tokyo (JP)

D511,721 S * 11/2005 Neuchi et al. D12/163
D514,989 S * 2/2006 Young D12/163
D521,907 S * 5/2006 Elmitt D12/92
D531,097 S * 10/2006 Kouyama D12/163
D534,098 S * 12/2006 Schell D12/92

(**) Term: **14 Years**

* cited by examiner

(21) Appl. No.: **29/275,572**

Primary Examiner—Melody N. Brown

(22) Filed: **Dec. 29, 2006**

(74) *Attorney, Agent, or Firm*—Plumsea Law Group, LLC

Related U.S. Application Data

(57) **CLAIM**

(63) Continuation of application No. 29/250,653, filed on Nov. 27, 2006, and a continuation of application No. 29/250,656, filed on Nov. 27, 2006.

The ornamental design for a vehicle grille, as shown and described.

(51) **LOC (8) Cl.** **12-16**

DESCRIPTION

(52) **U.S. Cl.** **D12/163**

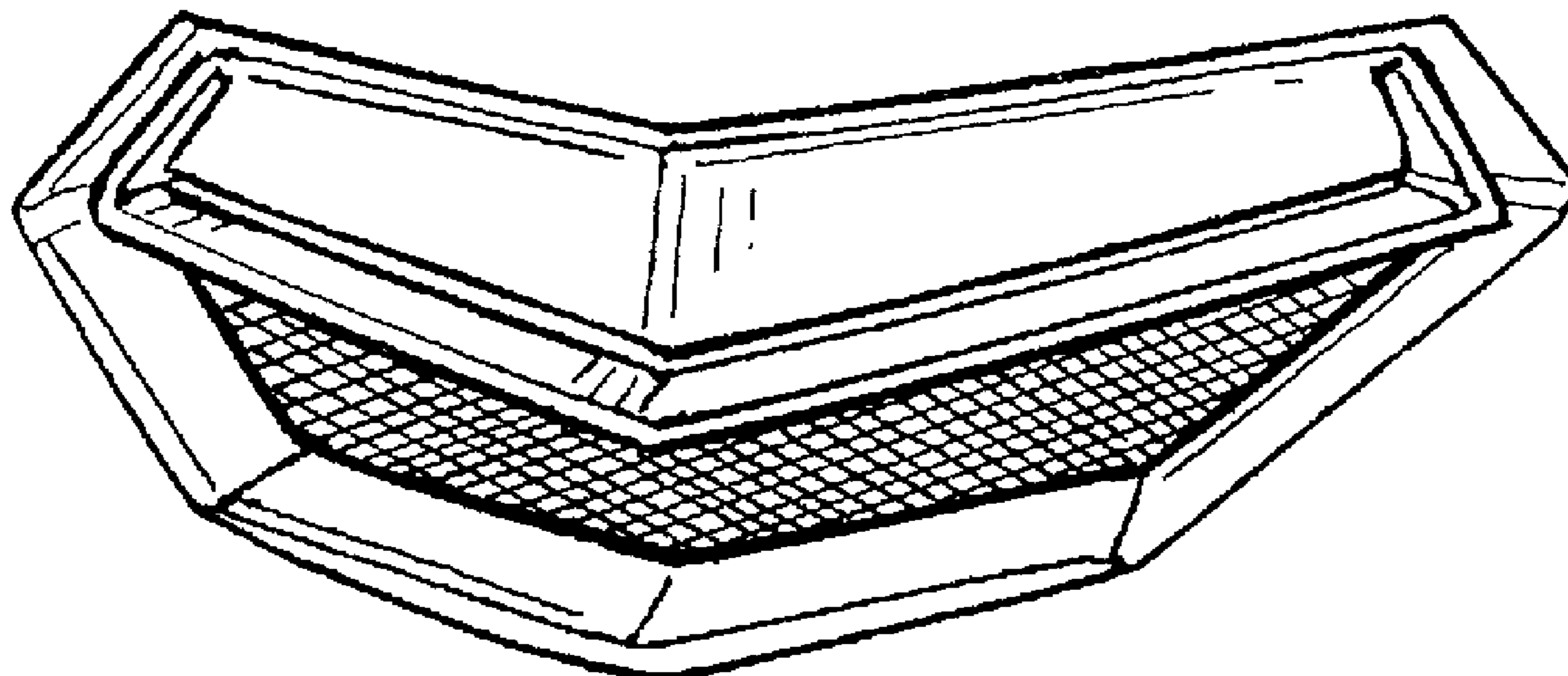
FIG. 1 is a perspective view of a vehicle grille showing my new design; and,

(58) **Field of Classification Search** D12/163,
D12/171, 90-92, 216, 169, 196; 180/68.1,
180/68.6; 296/193.1, 194

FIG. 2 is a front elevational view thereof.

See application file for complete search history.

1 Claim, 1 Drawing Sheet



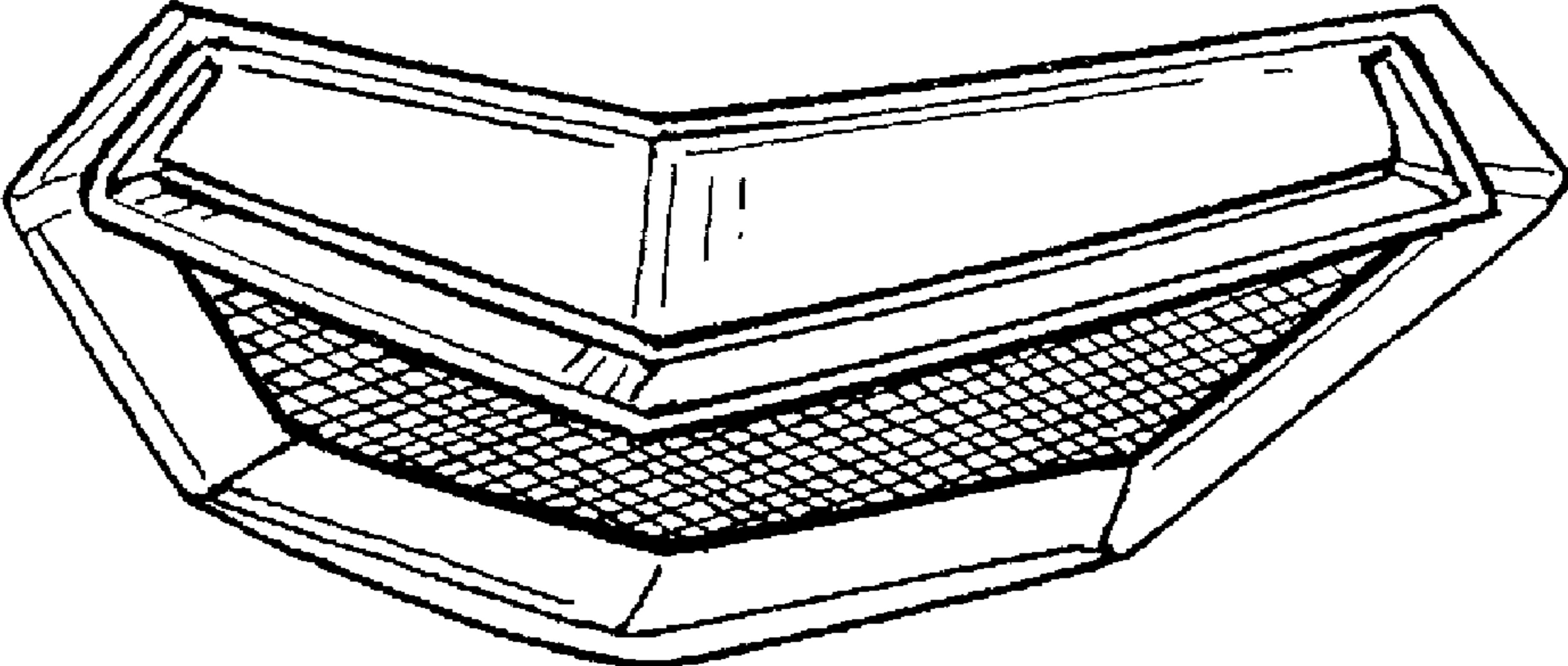


FIG. 1

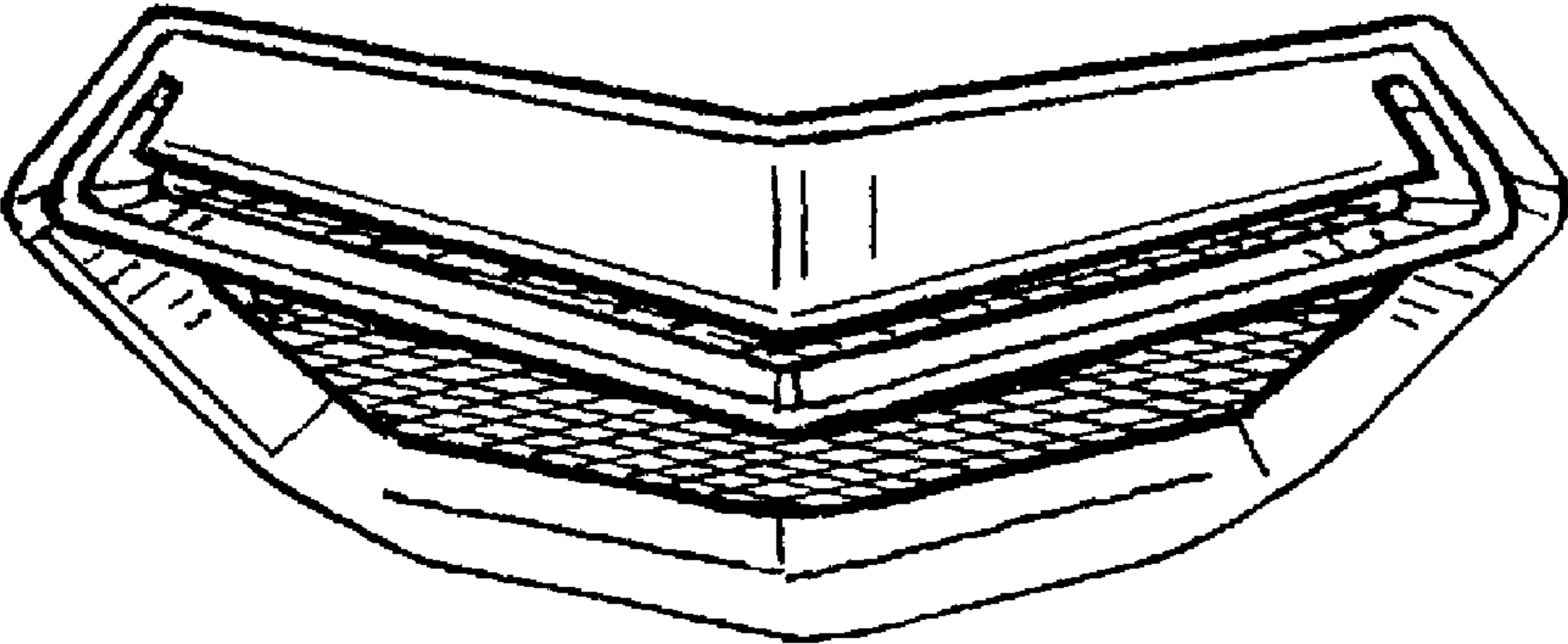


FIG. 2