



US00D557638S

(12) **United States Design Patent**
Nakamura et al.

(10) **Patent No.:** **US D557,638 S**

(45) **Date of Patent:** **** Dec. 18, 2007**

(54) **MOTORCYCLE**

D443,849 S * 6/2001 Chen D12/110

* cited by examiner

(75) Inventors: **Takuya Nakamura**, Tokyo (JP);
Hiroshi Shimokawa, Tokyo (JP)

Primary Examiner—Cathron Brooks
Assistant Examiner—Linda Brooks

(73) Assignee: **Yamaha Hatsudoki Kabushiki Kaisha**
(JP)

(74) *Attorney, Agent, or Firm*—Ostrolenk, Faber, Gerb &
Soffen, LLP

(**) Term: **14 Years**

(57) **CLAIM**

(21) Appl. No.: **29/276,949**

The ornamental design for a motorcycle, as shown.

(22) Filed: **Feb. 9, 2007**

DESCRIPTION

(51) **LOC (8) Cl.** **12-11**

FIG. 1 is a front, left side perspective view of a motorcycle showing our new design;

(52) **U.S. Cl.** **D12/110**

FIG. 2 is a rear right side perspective view thereof;

(58) **Field of Classification Search** D12/110;
180/219, 220, 225, 229

FIG. 3 is a right side view thereof;

See application file for complete search history.

FIG. 4 is a left side view thereof;

(56) **References Cited**

FIG. 5 is a front side view thereof;

U.S. PATENT DOCUMENTS

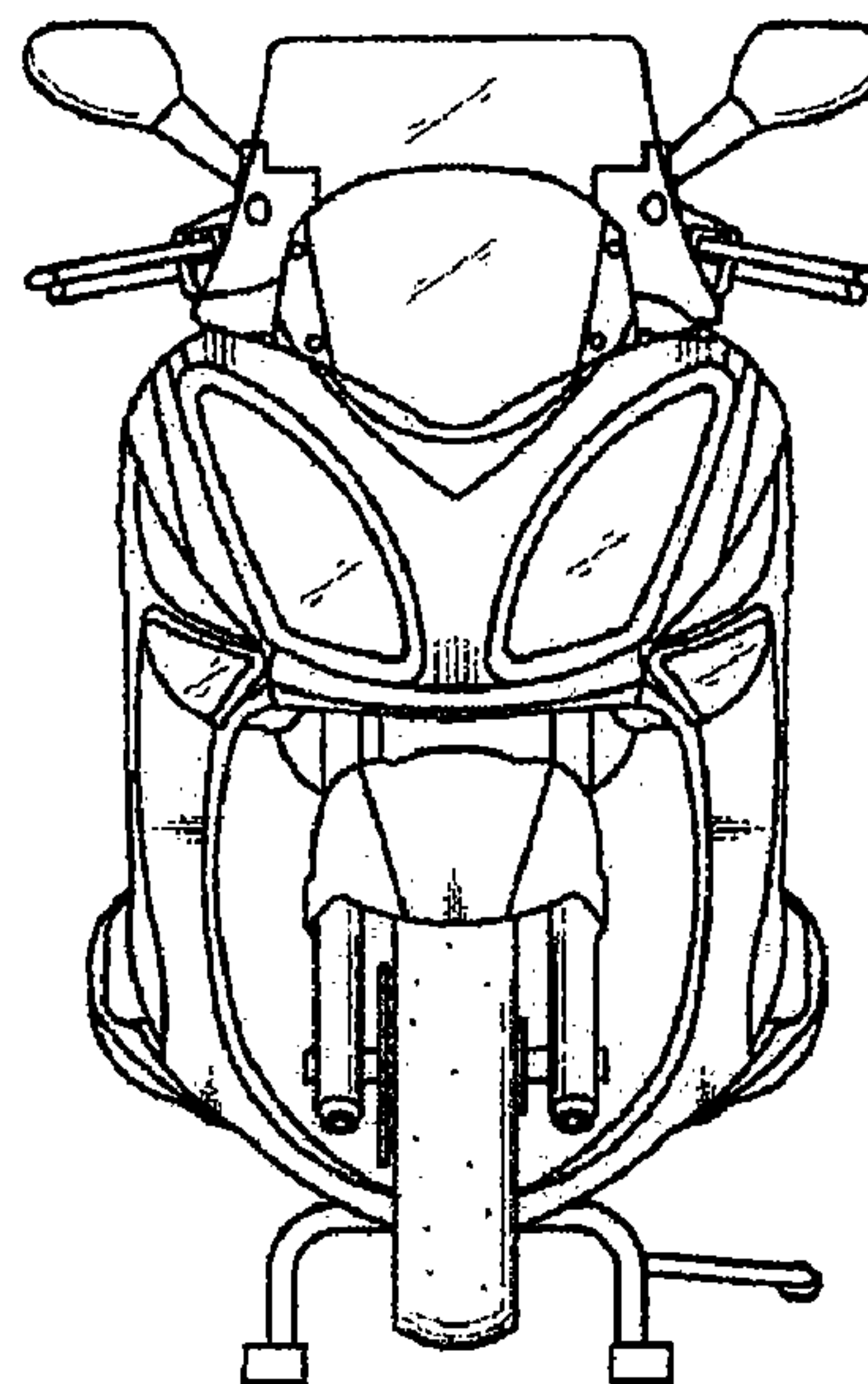
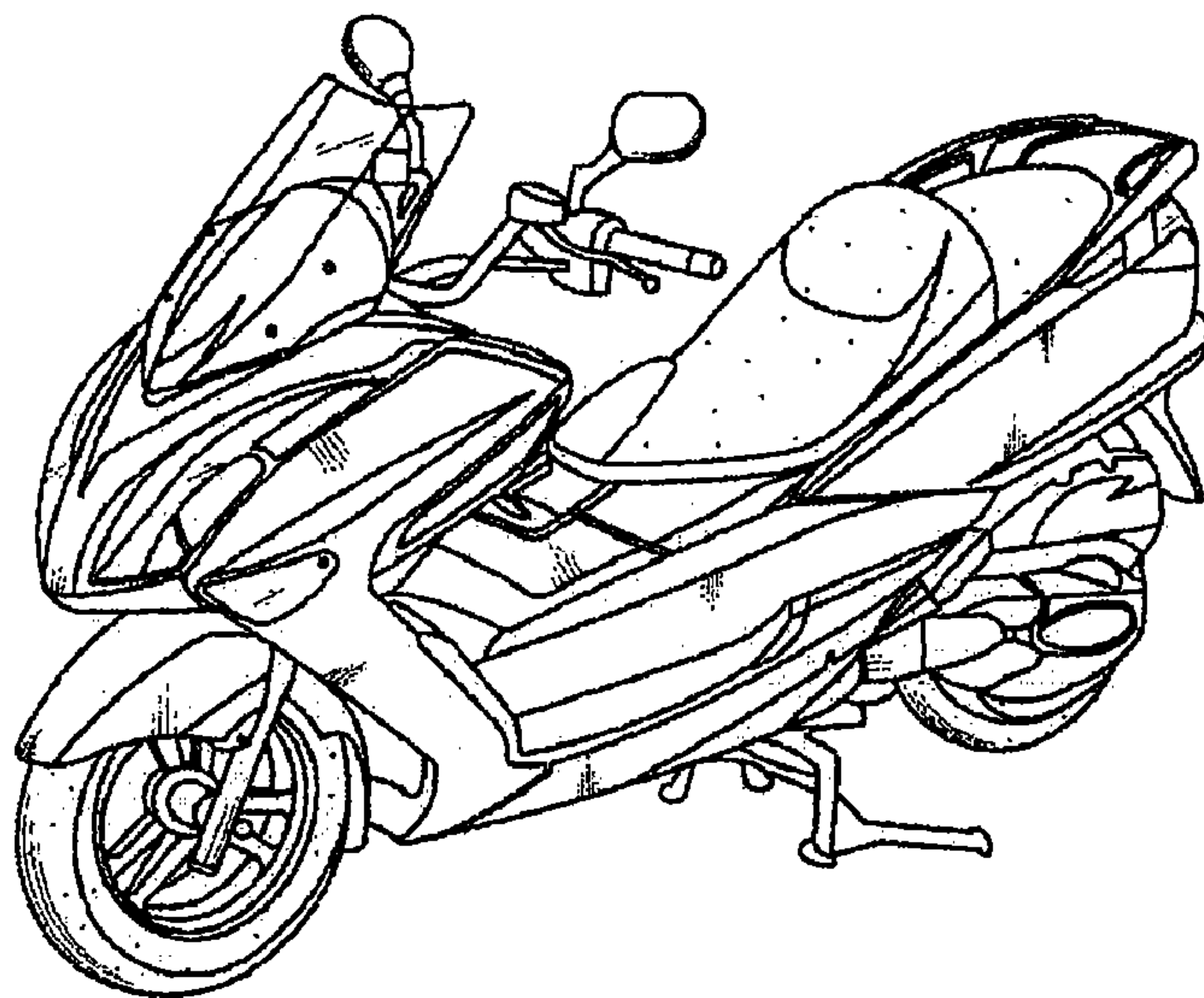
FIG. 6 is a rear view thereof;

D331,553 S	*	12/1992	Agnolucci	D12/110
D341,341 S	*	11/1993	Nakamura et al.	D12/110
D399,174 S	*	10/1998	Takeshita et al.	D12/110
D427,944 S	*	7/2000	Sakuma et al.	D12/110

FIG. 7 is a top view thereof; and,

FIG. 8 is a bottom view thereof.

1 Claim, 4 Drawing Sheets



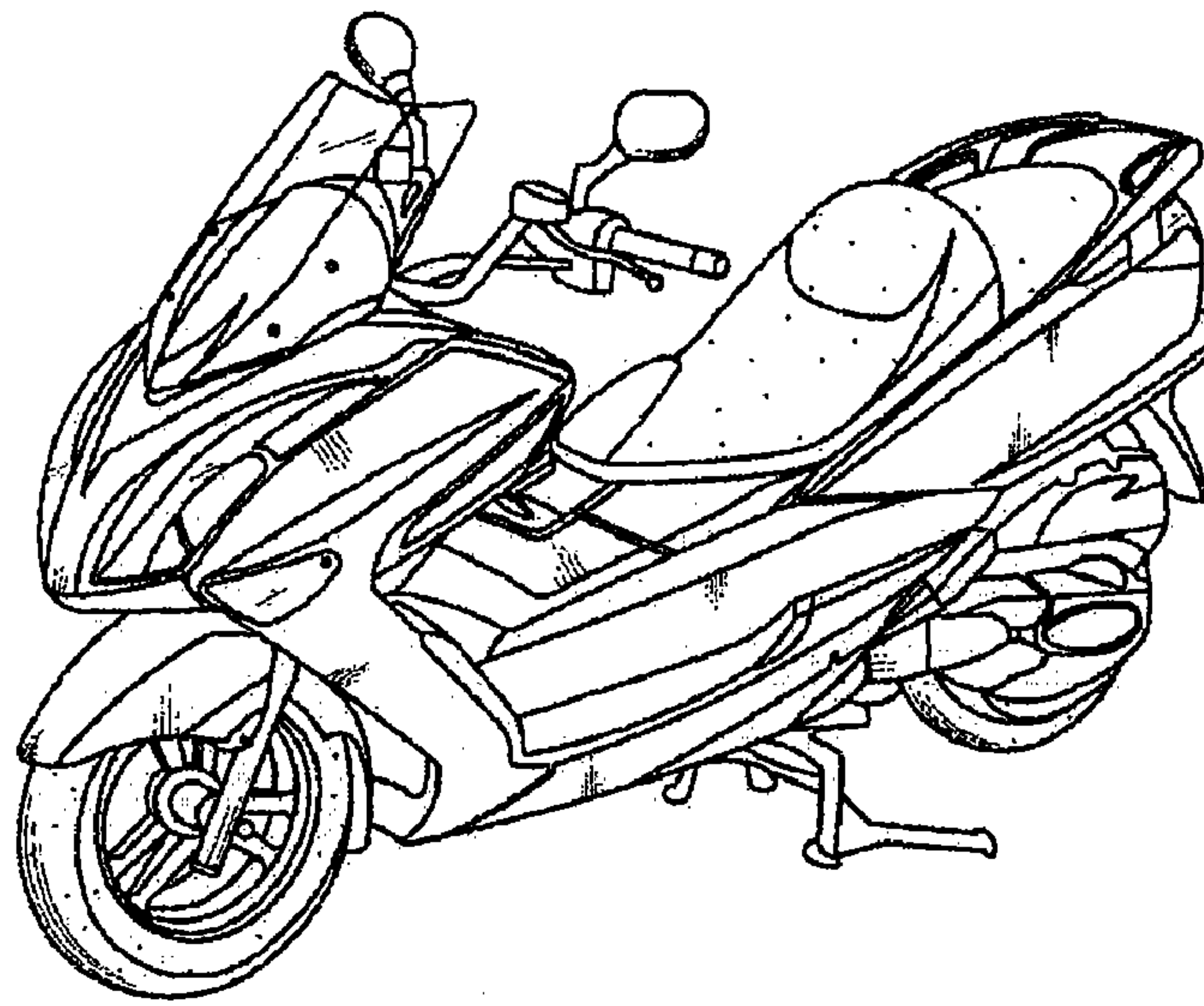


FIG. 1

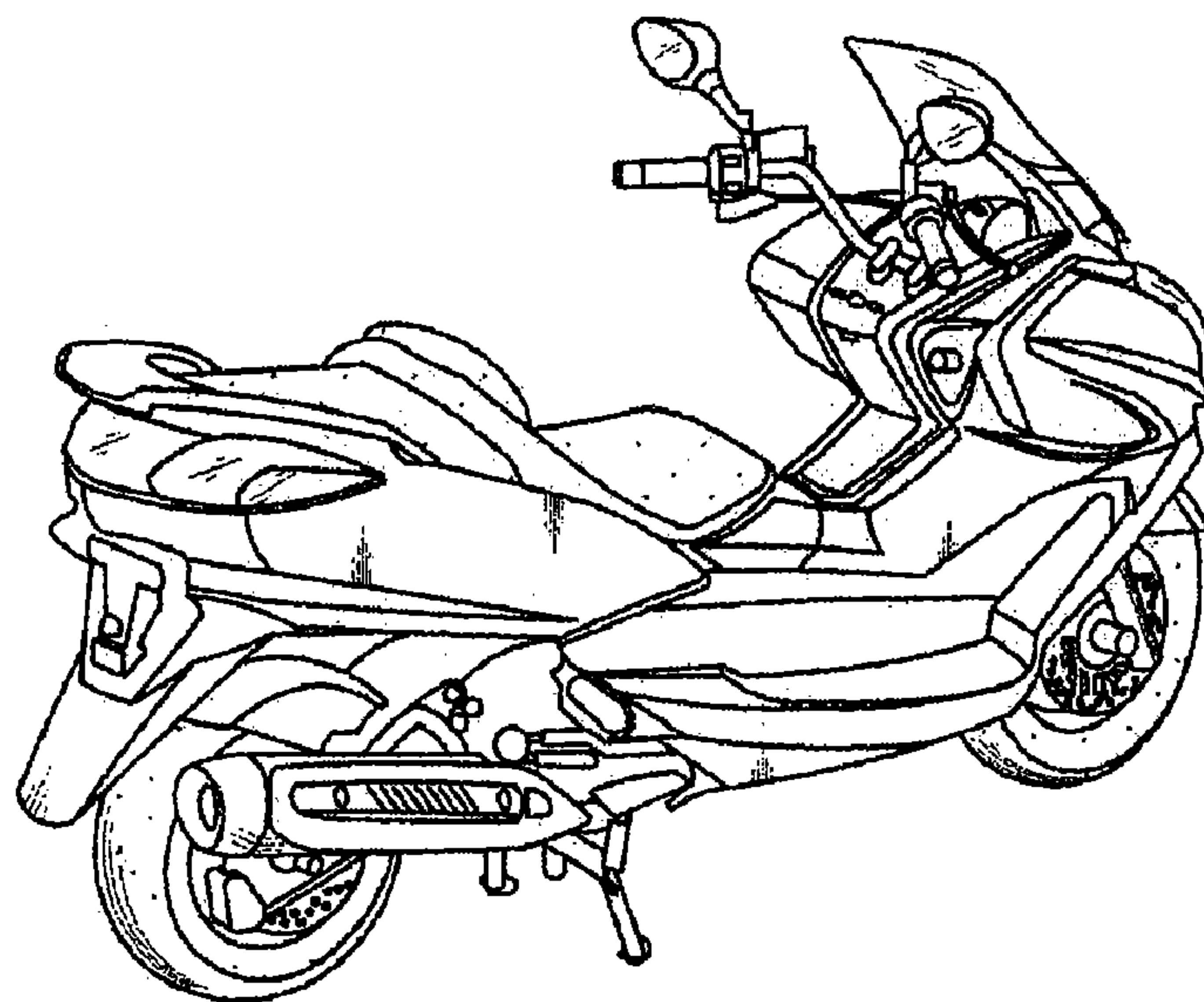


FIG. 2

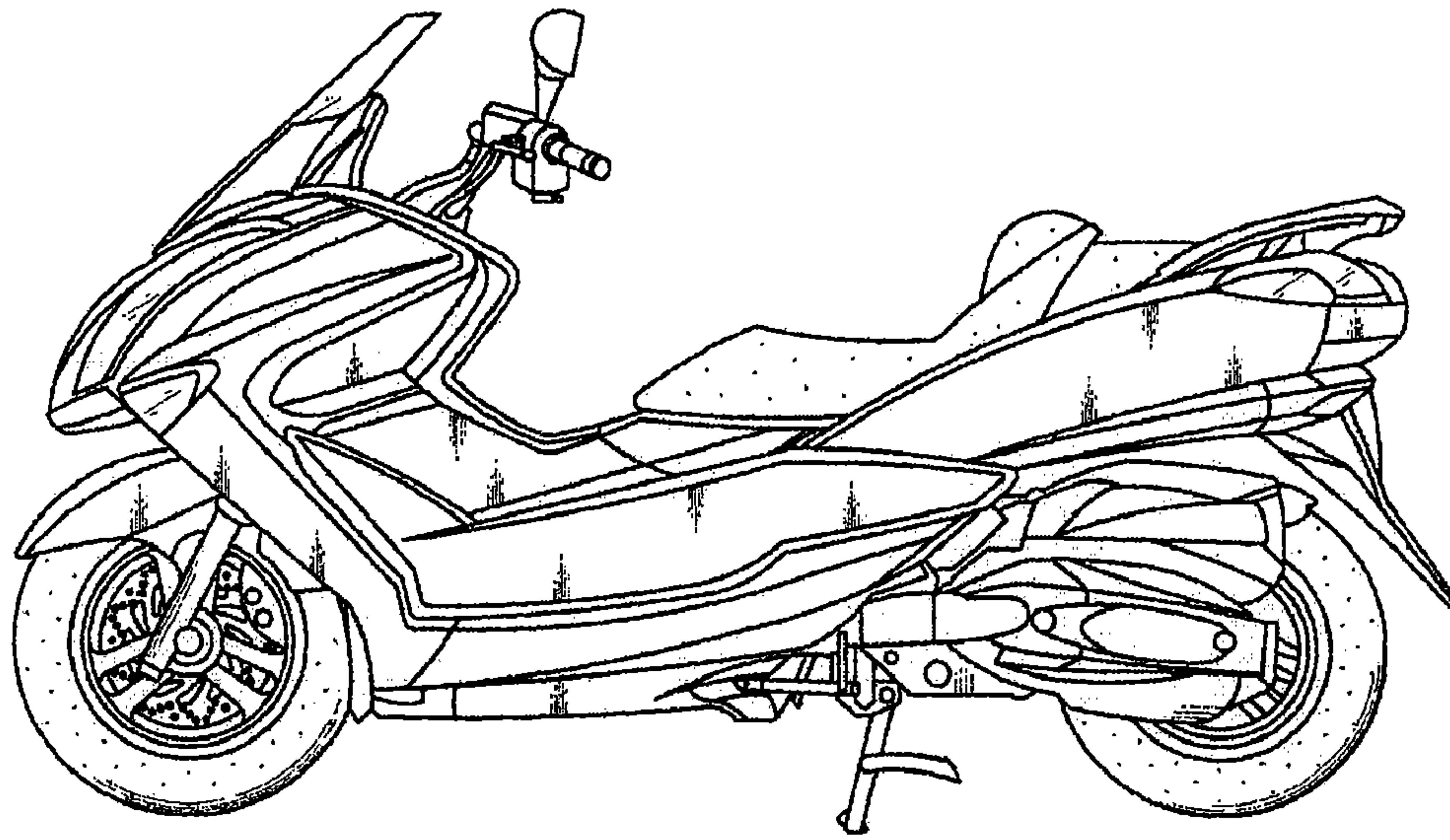


FIG. 4

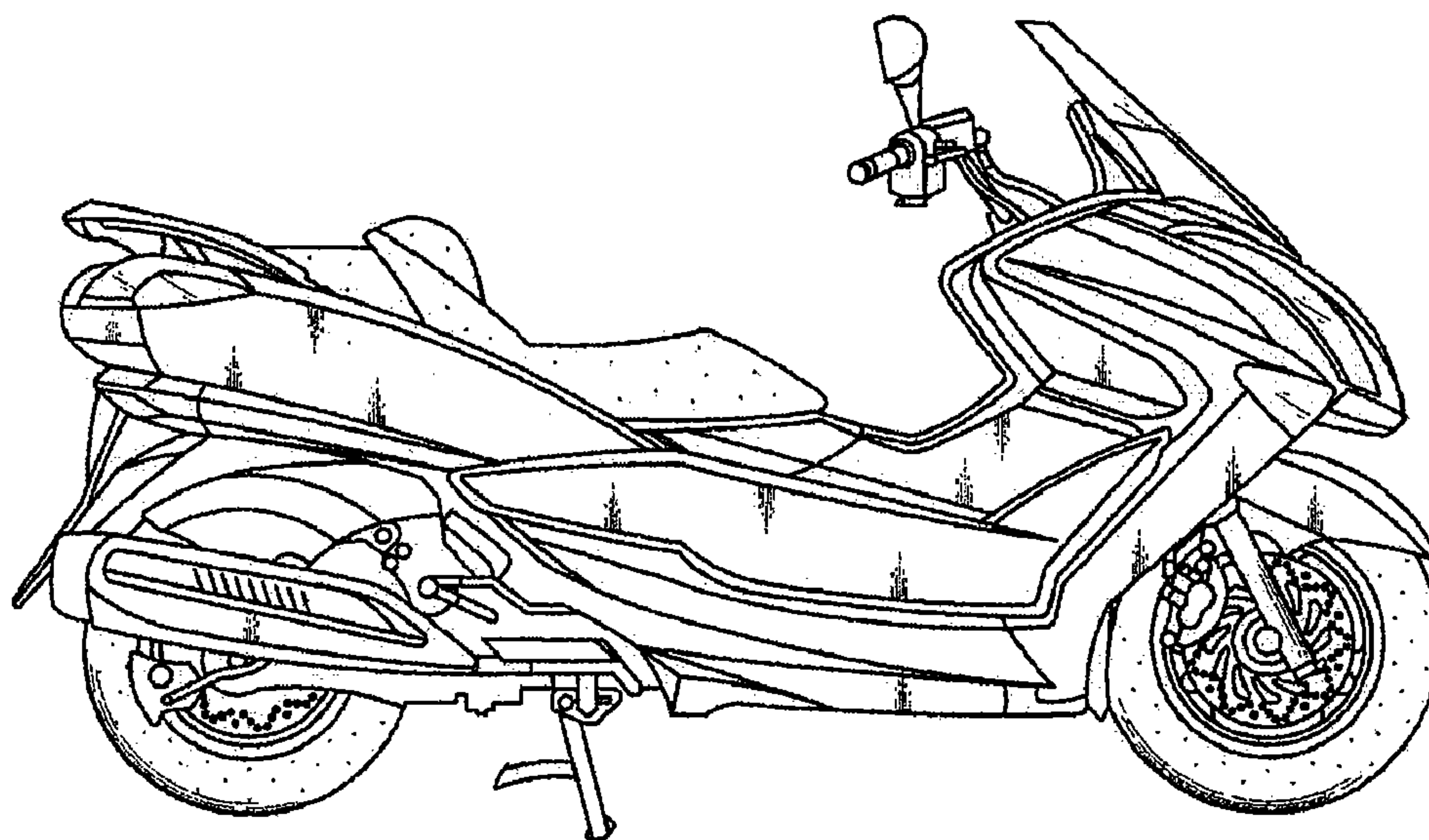


FIG. 3

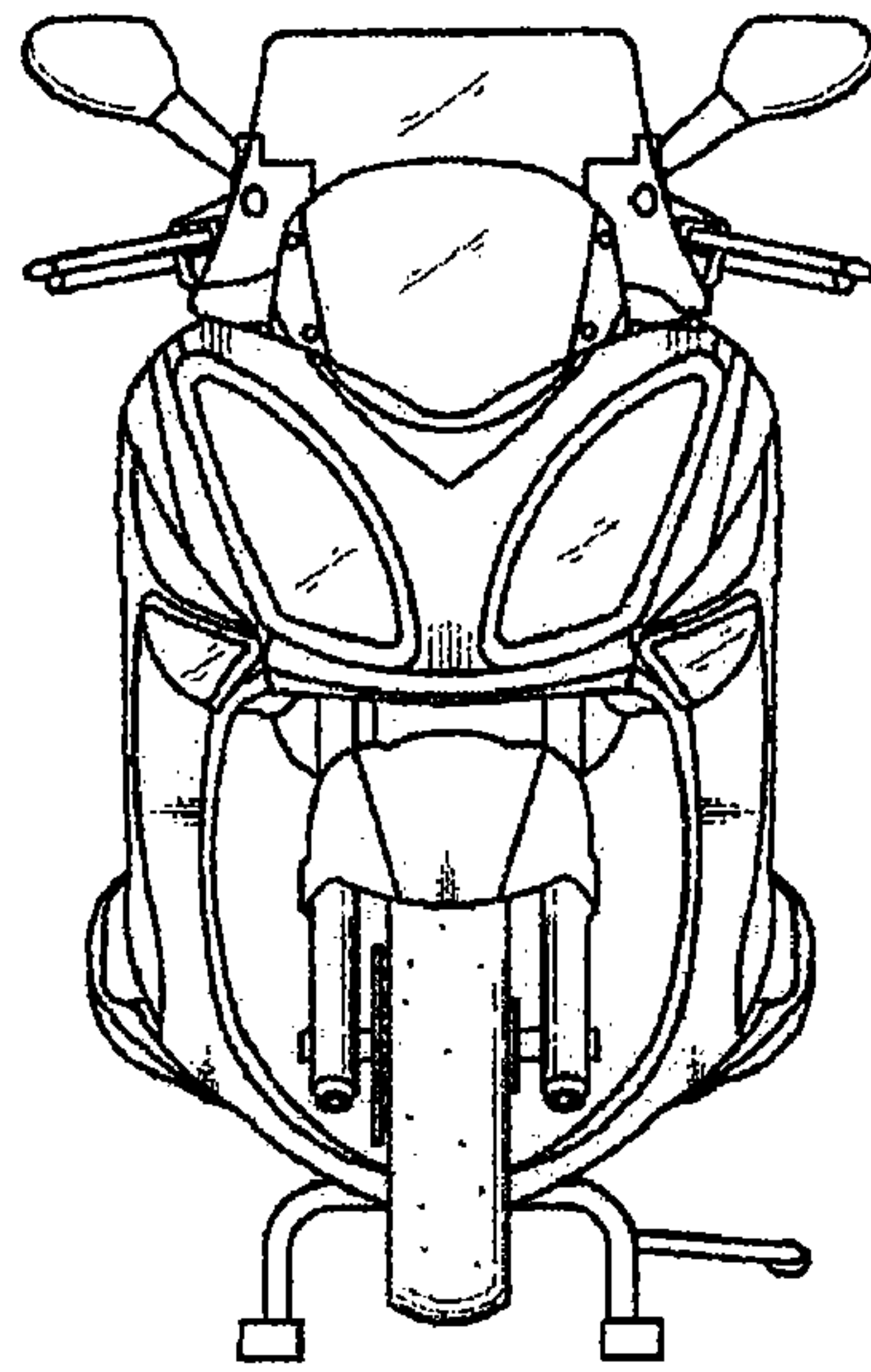


FIG. 5

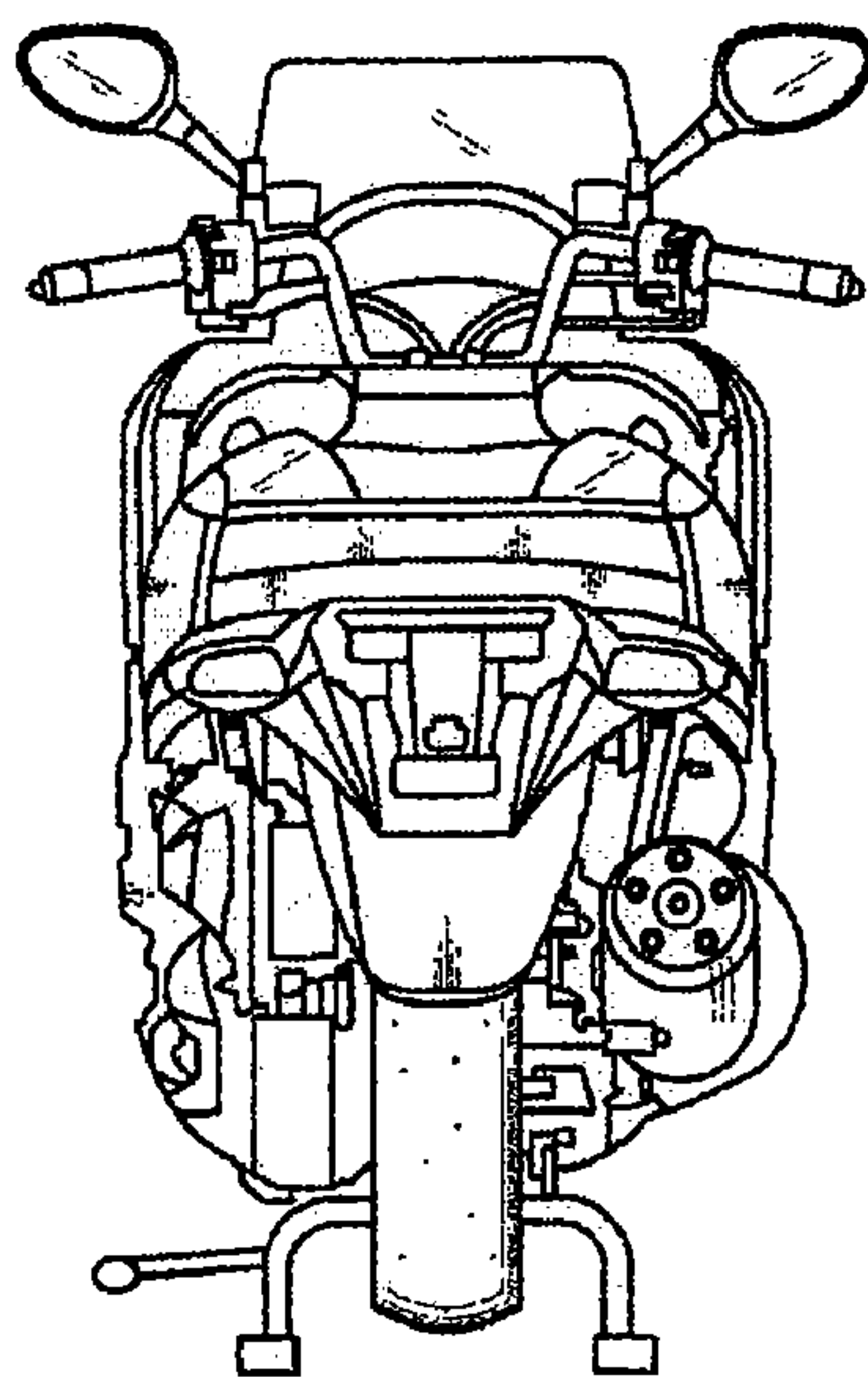


FIG. 6

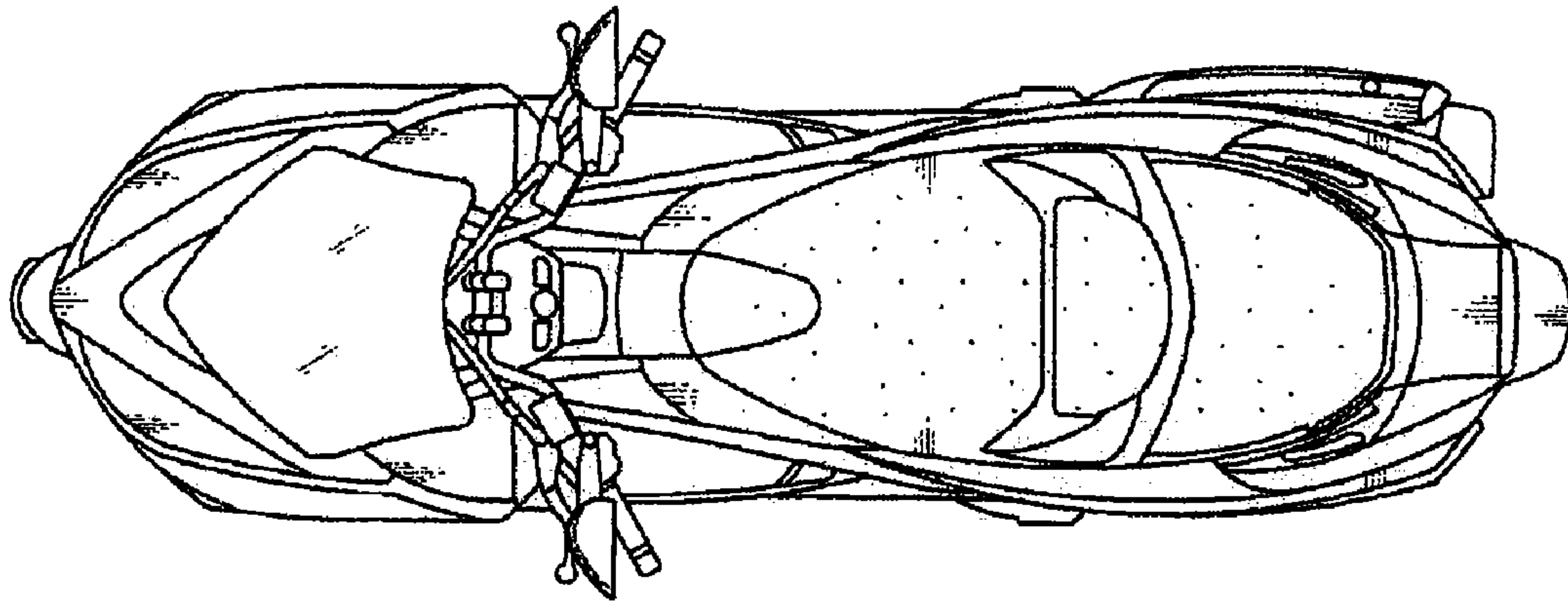


FIG. 7

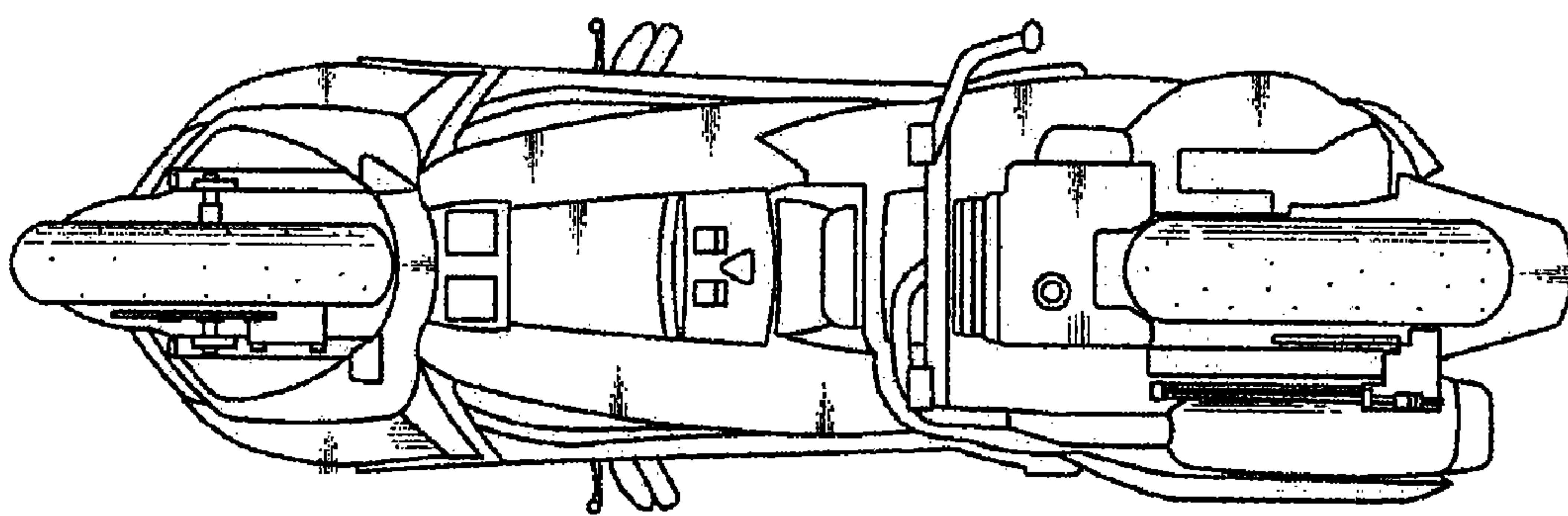


FIG. 8