



US00D557625S

(12) **United States Design Patent**
Yu

(10) **Patent No.:** **US D557,625 S**

(45) **Date of Patent:** **** Dec. 18, 2007**

(54) **PORTABLE TRAFFIC WARNING SIGN**

6,718,670 B2 * 4/2004 Wang 40/610

(76) Inventor: **Hejian Yu**, 25 Shiji Road (Doumen)
Mazhu Industrial Zone, Yuyao City,
Zhejiang Province (CN)

* cited by examiner

Primary Examiner—Robert M. Spear
Assistant Examiner—George D Kirschbaum

(**) Term: **14 Years**

(74) *Attorney, Agent, or Firm*—Global IP Services; Tianhua Gu

(21) Appl. No.: **29/278,074**

(57) **CLAIM**

(22) Filed: **Mar. 19, 2007**

The ornamental design for a portable traffic warning sign, as shown and described.

(51) **LOC (8) Cl.** **10-05**

(52) **U.S. Cl.** **D10/109; D10/113**

(58) **Field of Classification Search** D10/104–121;
404/9–16; 116/63 R, 63 P, 63 C, 63 T; 359/553;
40/610

See application file for complete search history.

DESCRIPTION

FIG. 1 is a perspective view of a portable traffic warning sign showing my new design;

FIG. 2 is a perspective view thereof showing it is in folded status;

FIG. 3 is a front view thereof;

FIG. 4 is a back view thereof;

FIG. 5 is a top view thereof;

FIG. 6 is a bottom view thereof;

FIG. 7 is a left side view thereof; and,

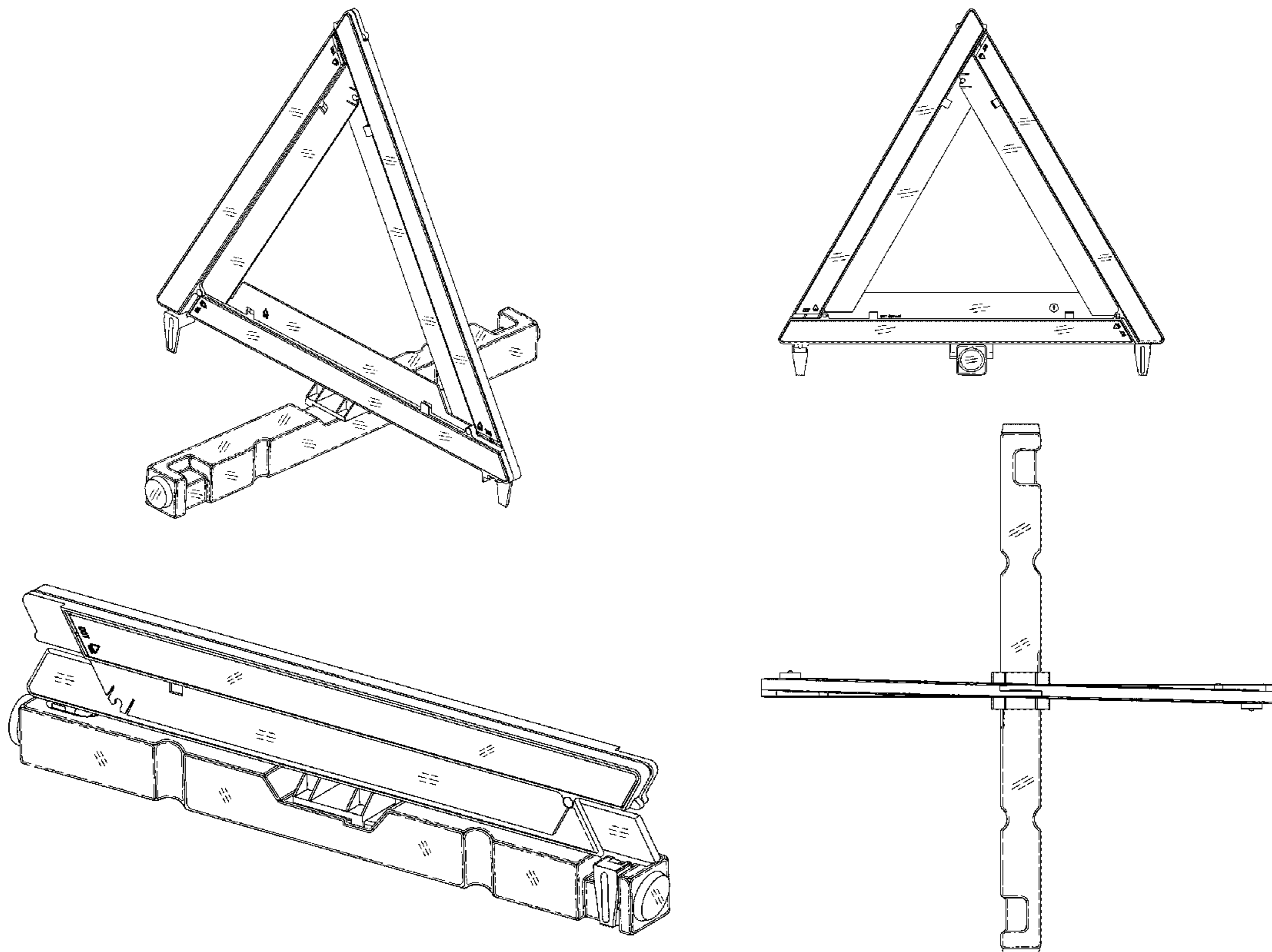
FIG. 8 is a right side view thereof.

(56) **References Cited**

U.S. PATENT DOCUMENTS

- 3,773,012 A * 11/1973 Lindner et al. 116/63 P
- 3,934,542 A * 1/1976 May et al. 116/63 P
- RE29,566 E * 3/1978 Brudy 359/553
- 4,403,565 A * 9/1983 Bleiweiss et al. 116/63 T
- 4,440,104 A * 4/1984 Bleiweiss et al. 116/63 T
- 4,805,550 A * 2/1989 Raczowski et al. 116/63 T

1 Claim, 8 Drawing Sheets



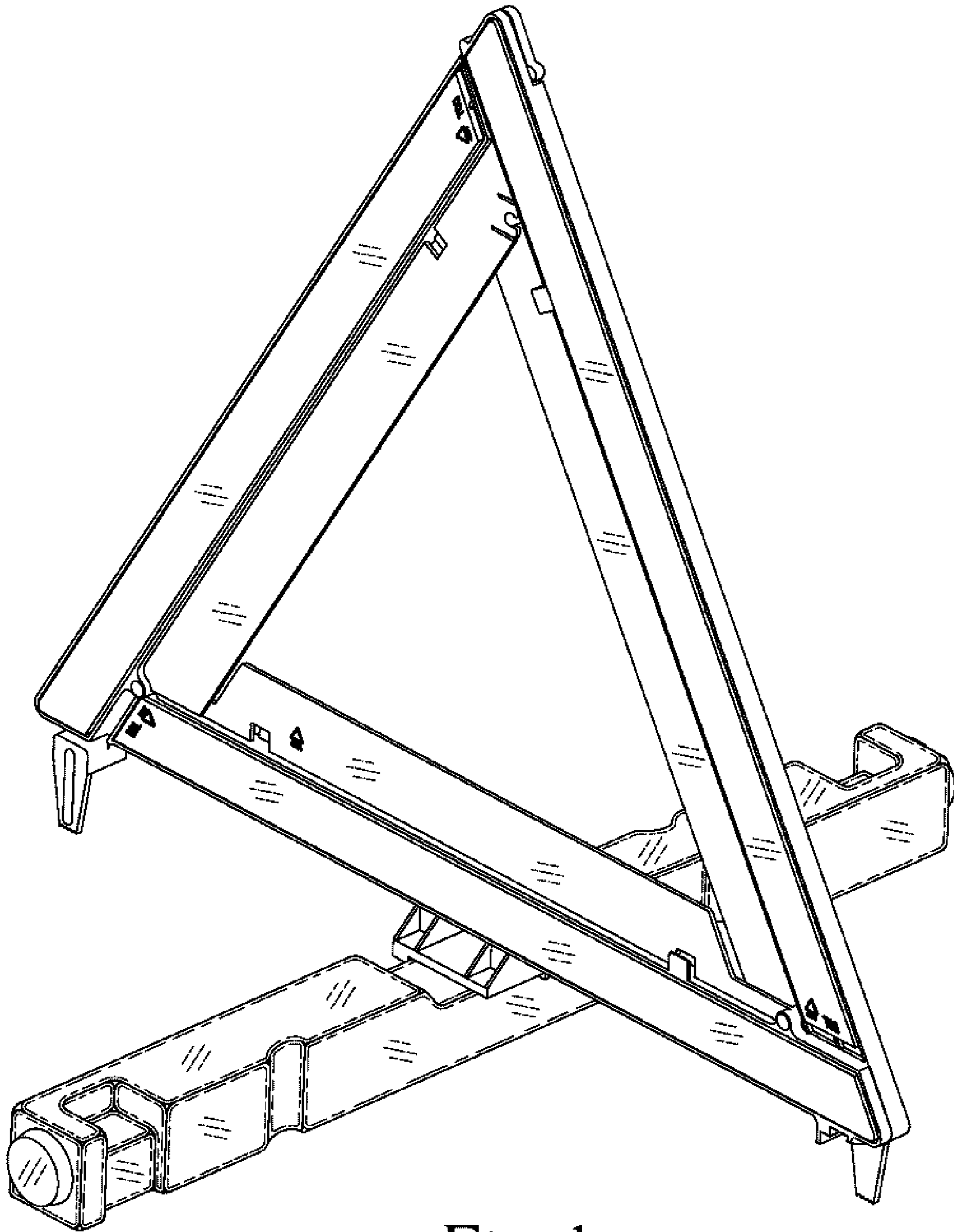


Fig. 1

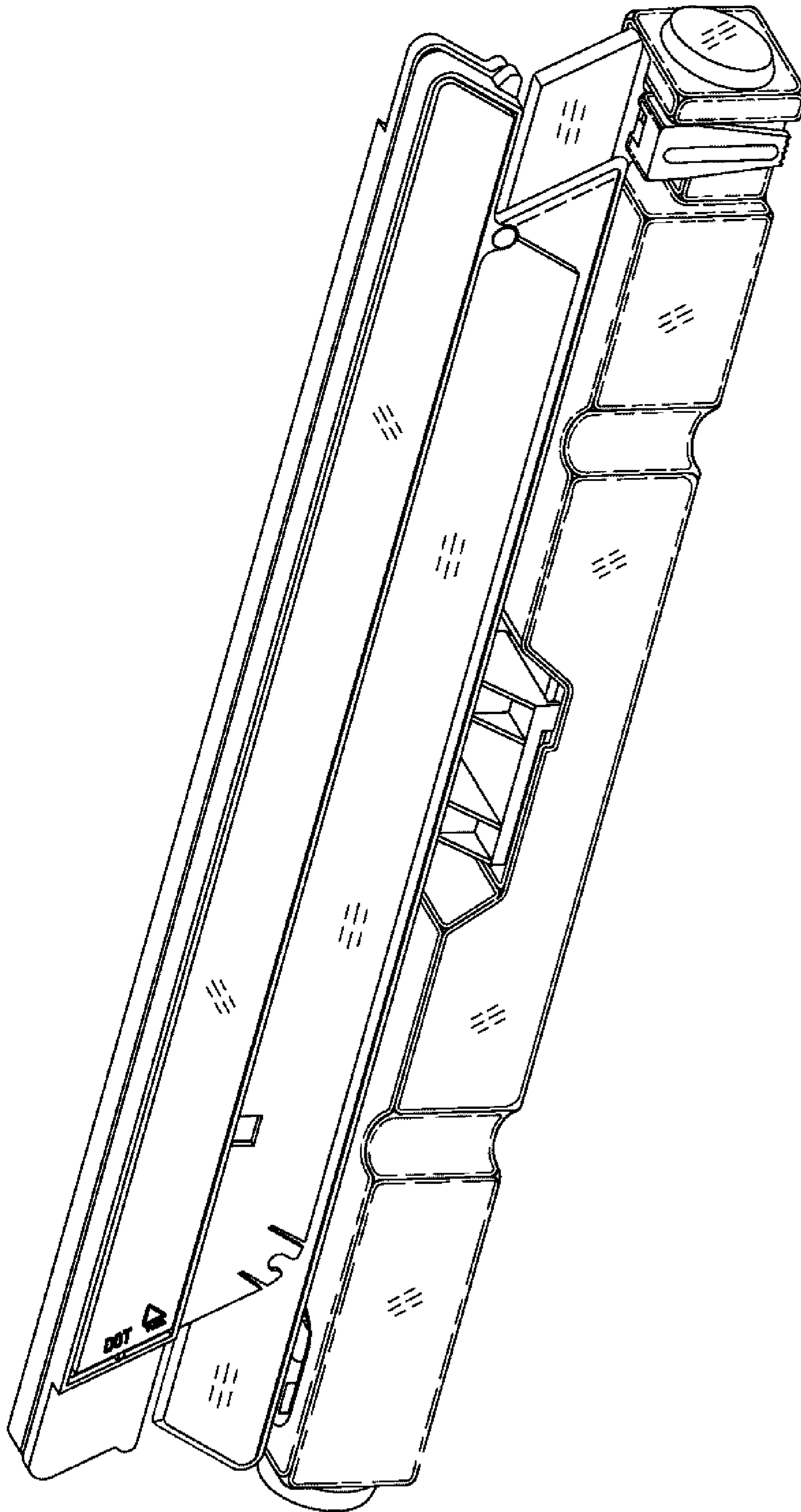


Fig. 2

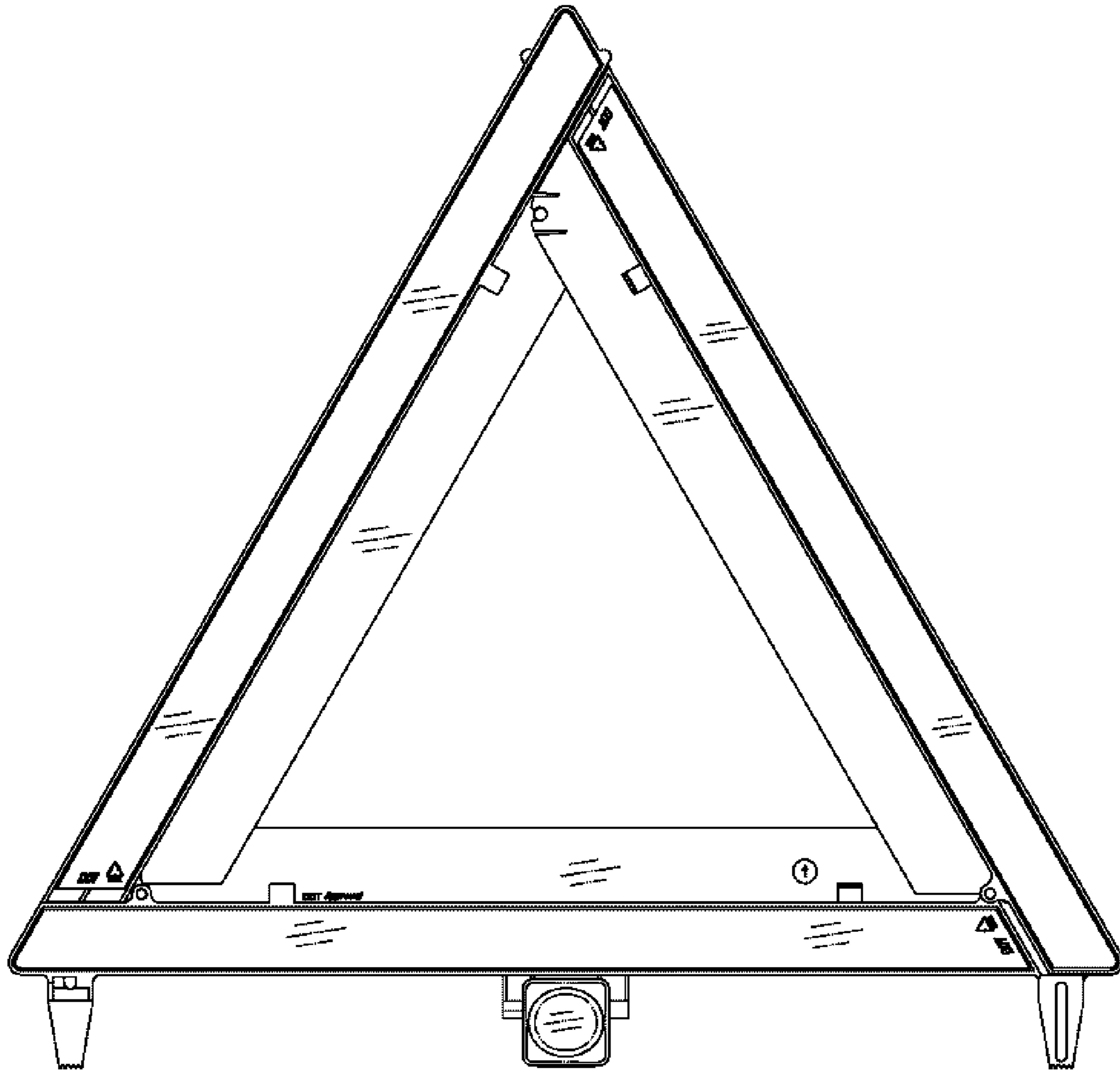


Fig. 3

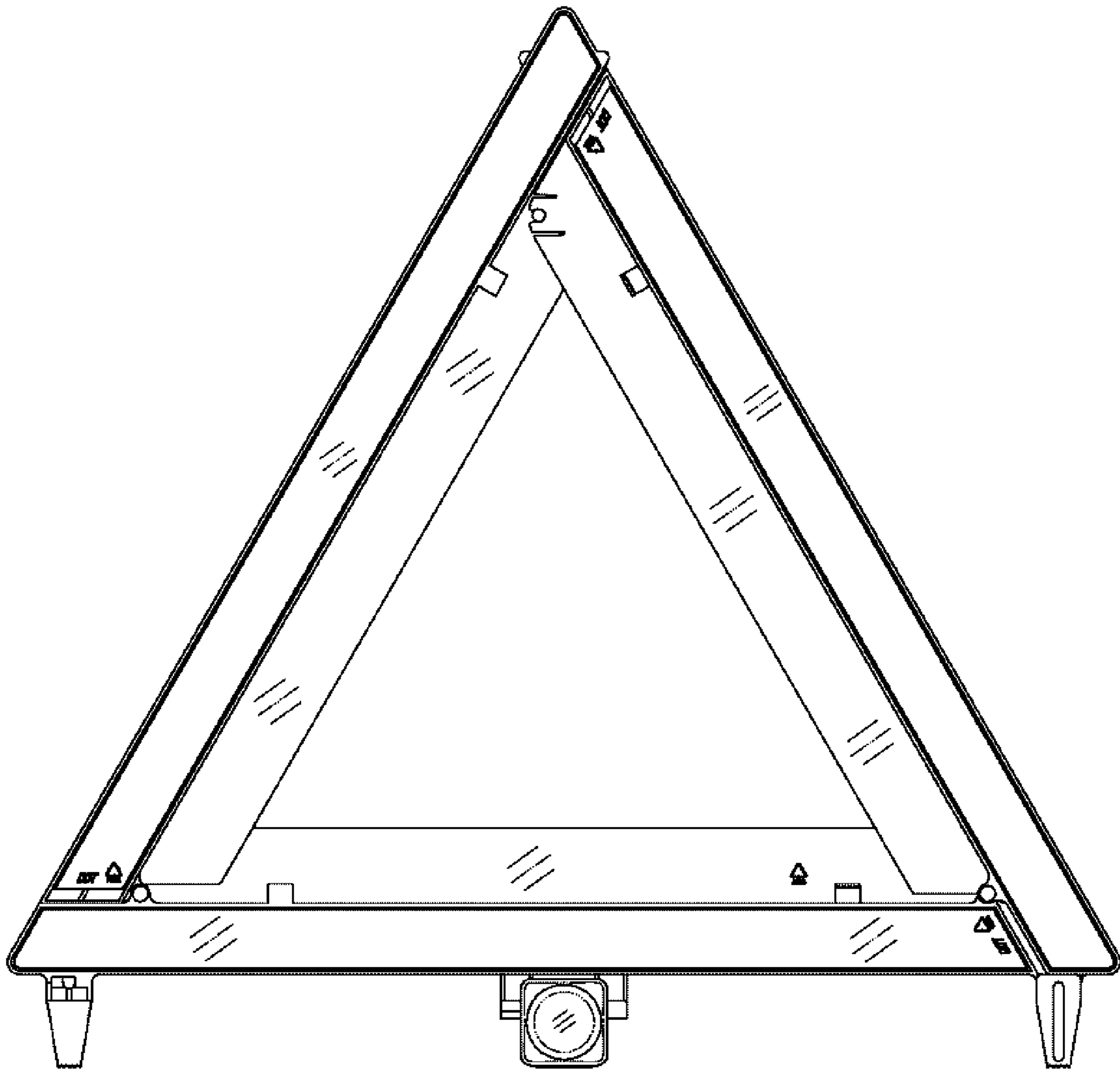


Fig. 4

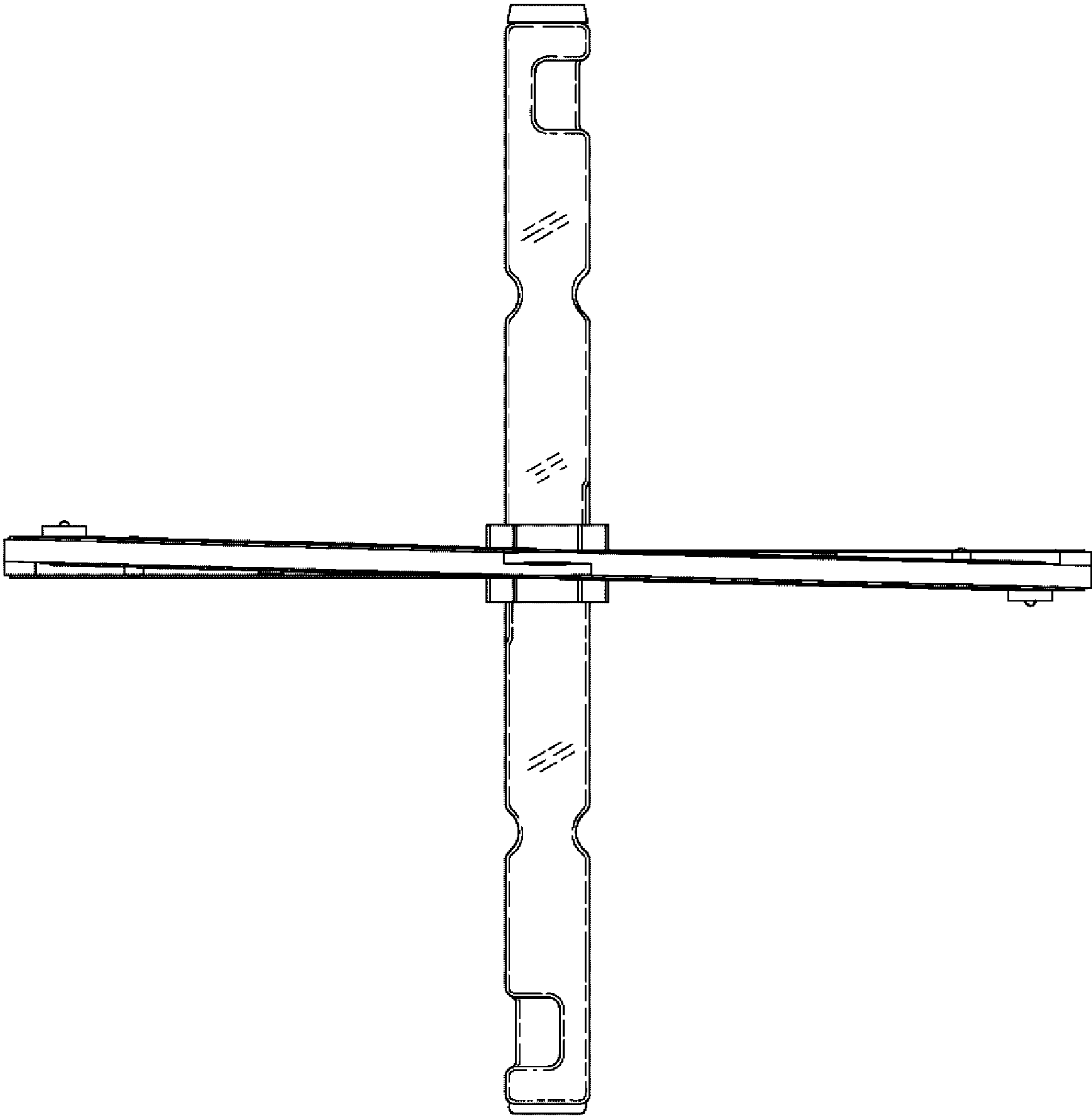


Fig. 5

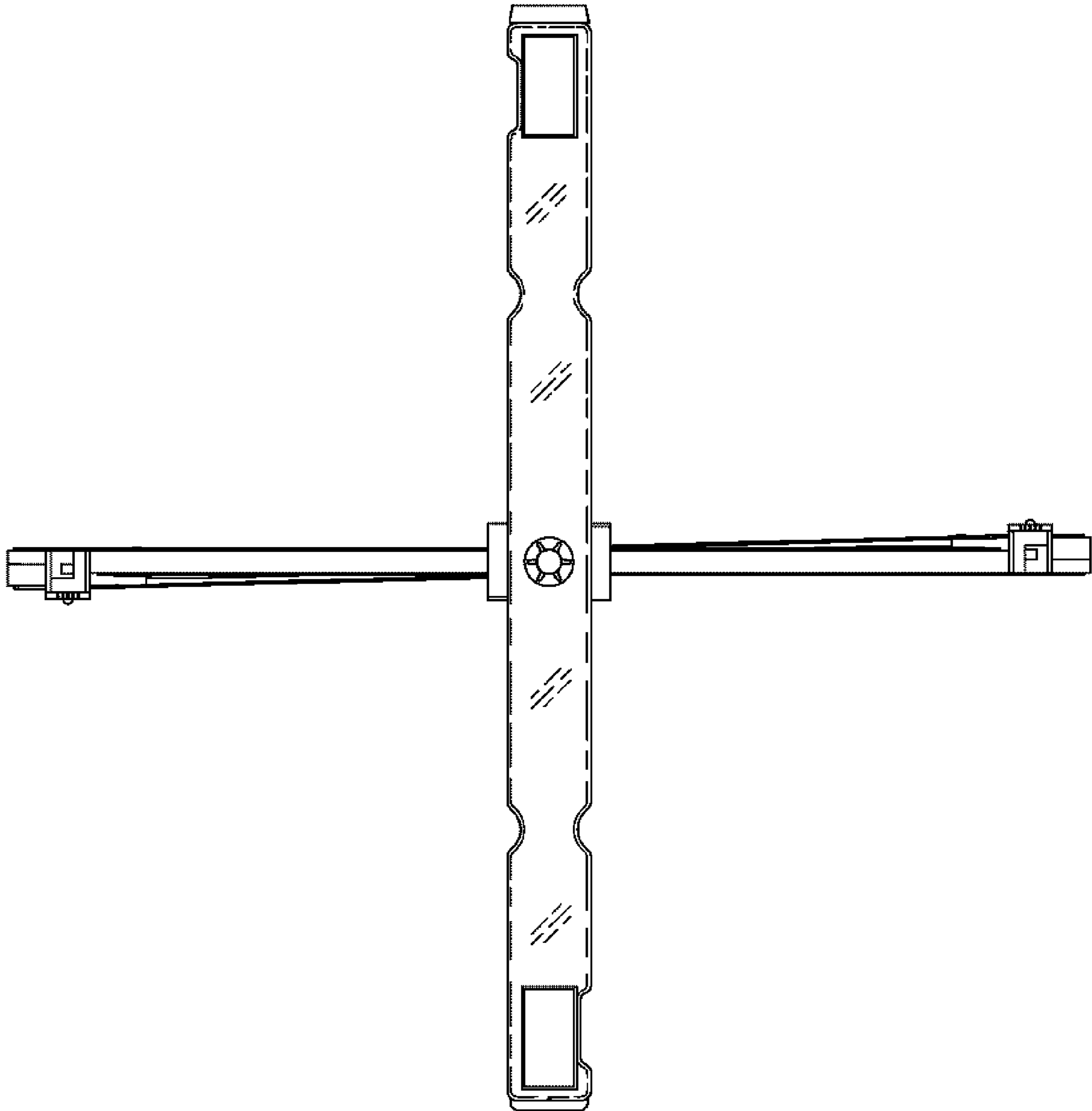


Fig. 6

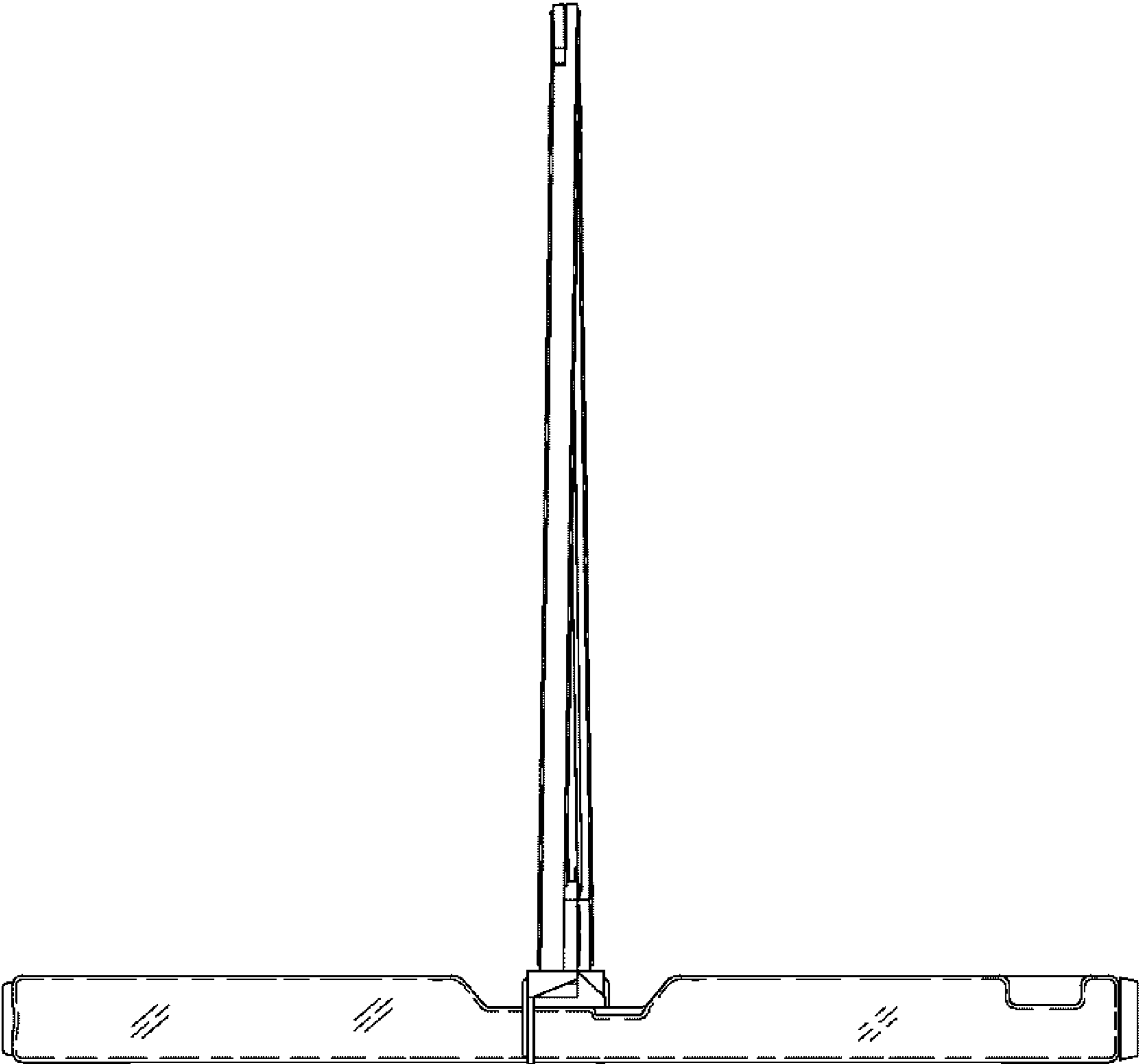


Fig. 7

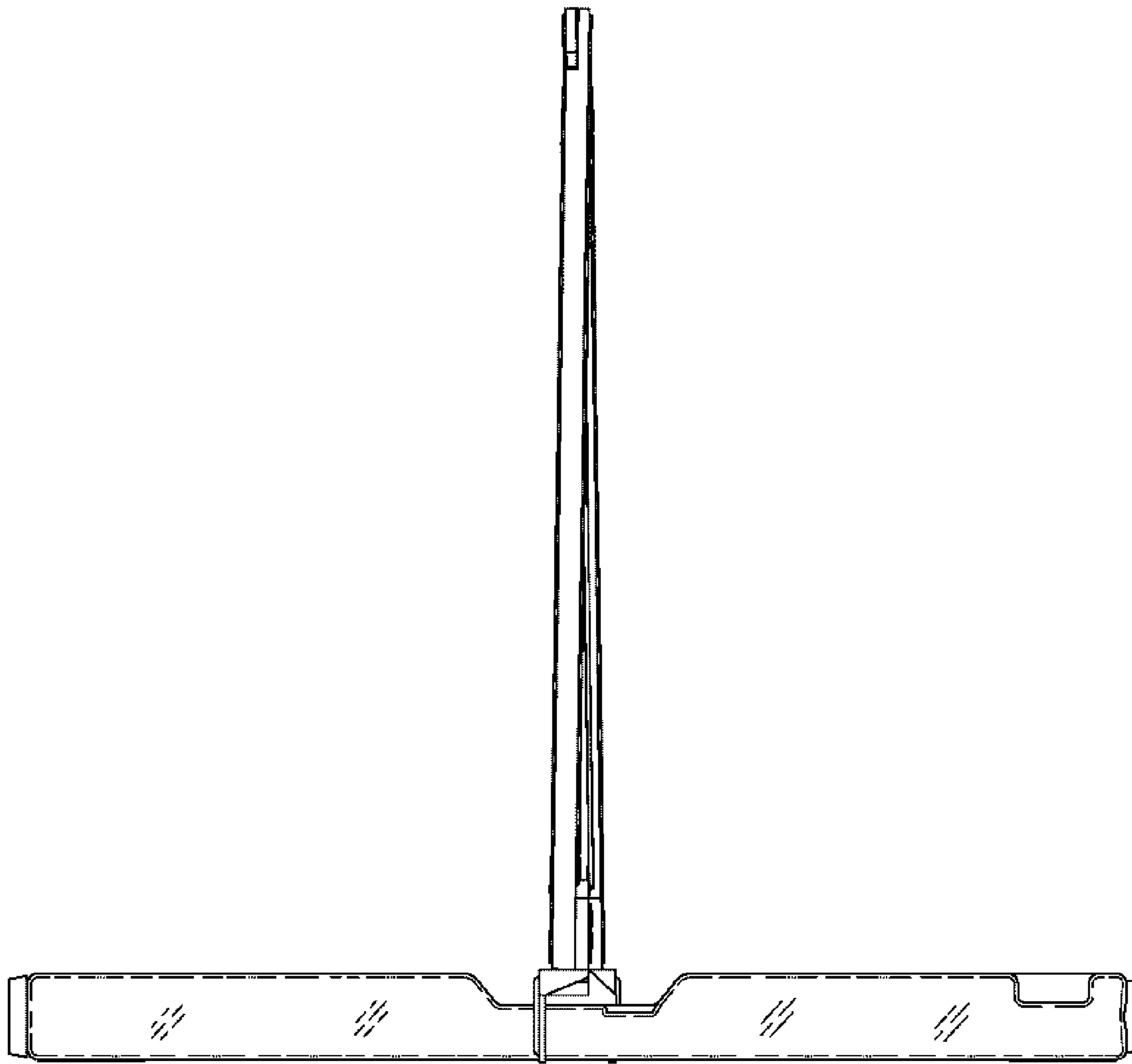


Fig. 8