



US00D557622S

(12) **United States Design Patent**
Thompson

(10) **Patent No.:** **US D557,622 S**

(45) **Date of Patent:** **** Dec. 18, 2007**

(54) **FLOATING THERMOMETER**

(75) Inventor: **Aaron Thompson**, Cooper City, FL
(US)

(73) Assignee: **Swimways Corporation**, Virginia
Beach, VA (US)

(**) Term: **14 Years**

(21) Appl. No.: **29/248,059**

(22) Filed: **Jul. 27, 2006**

(51) **LOC (8) Cl.** **10-04**

(52) **U.S. Cl.** **D10/57**

(58) **Field of Classification Search** D10/57;
4/496, 541, 542, 543, 544; 204/400, 420,
204/433, 153.1, 153.21; 374/156, 194, 208,
374/109, 136, 170, 142, 102, 141

See application file for complete search history.

(56) **References Cited**

U.S. PATENT DOCUMENTS

3,873,446	A	*	3/1975	Campbell	374/141
D300,908	S	*	5/1989	Chan	D10/57
D312,216	S	*	11/1990	Nadzak et al.	D10/57
D312,975	S	*	12/1990	Scheurer	D10/57
5,152,610	A	*	10/1992	Hallett	374/156
5,577,724	A		11/1996	Gandolfo		
D477,237	S	*	7/2003	Heath	D10/57
D498,802	S		11/2004	Chang		
D510,404	S		10/2005	Thompson		
D512,481	S		12/2005	Thompson		
D517,643	S		3/2006	Thompson		

D518,142	S	3/2006	Thompson
D518,554	S	4/2006	Thompson
D518,870	S	4/2006	Thompson
D526,043	S	8/2006	Thompson
D526,382	S	8/2006	Thompson

* cited by examiner

Primary Examiner—Antoine D. Davis

(74) *Attorney, Agent, or Firm*—Cooley Godward Kronish
LLP

(57) **CLAIM**

The ornamental design for a floating thermometer, as shown
and described.

DESCRIPTION

FIG. 1 is a perspective view of a new design for a floating
thermometer;

FIG. 2 is a front view of the floating thermometer illustrated
in FIG. 1;

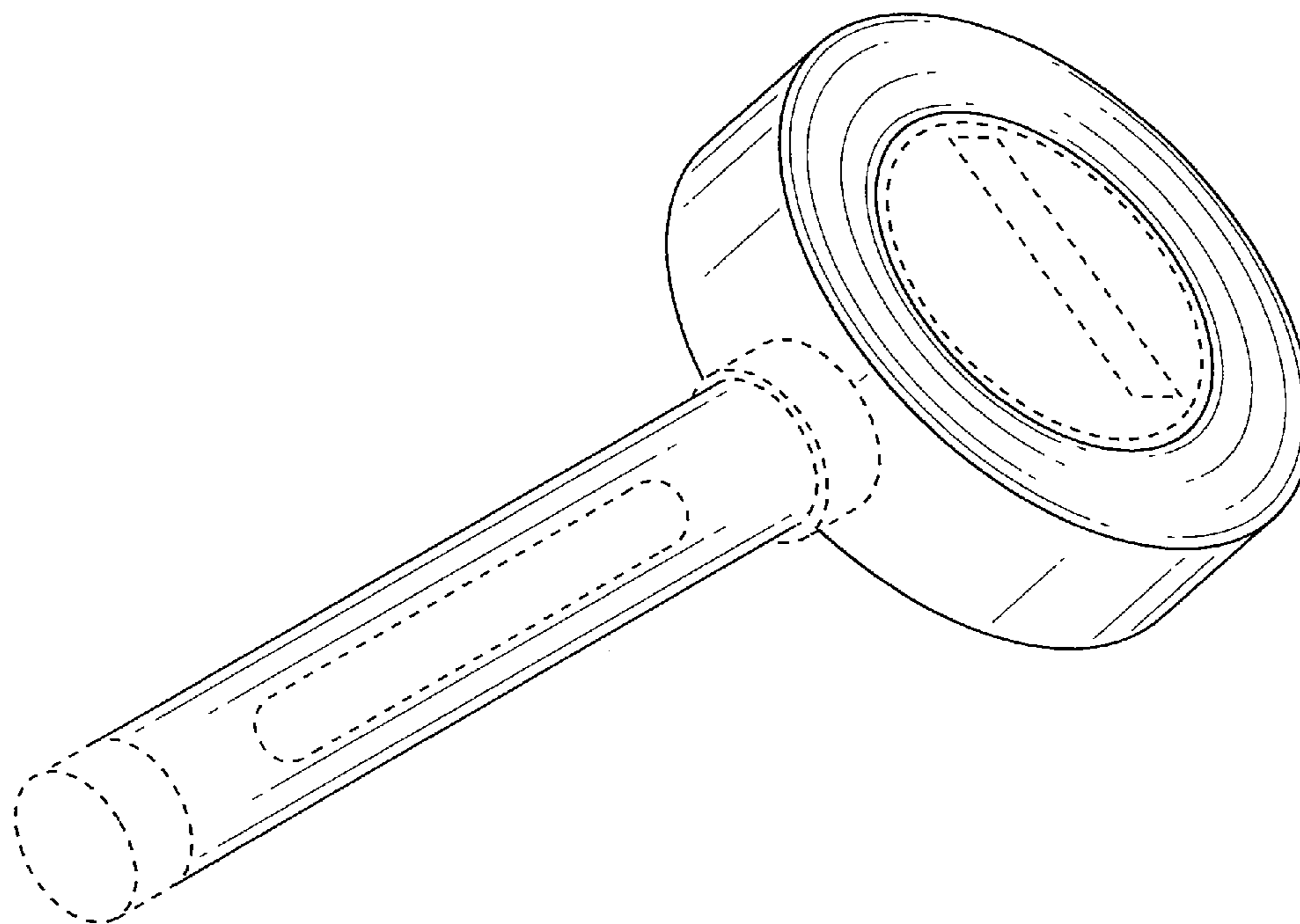
FIG. 3 is a top view of the floating thermometer illustrated
in FIG. 1;

FIG. 4 is a left side view of the floating thermometer
illustrated in FIG. 1; and,

FIG. 5 is a right side view of the floating thermometer
illustrated in FIG. 1.

The portion of the article depicted in broken lines is for
illustrative purposes only and forms no part of the claimed
design.

1 Claim, 5 Drawing Sheets



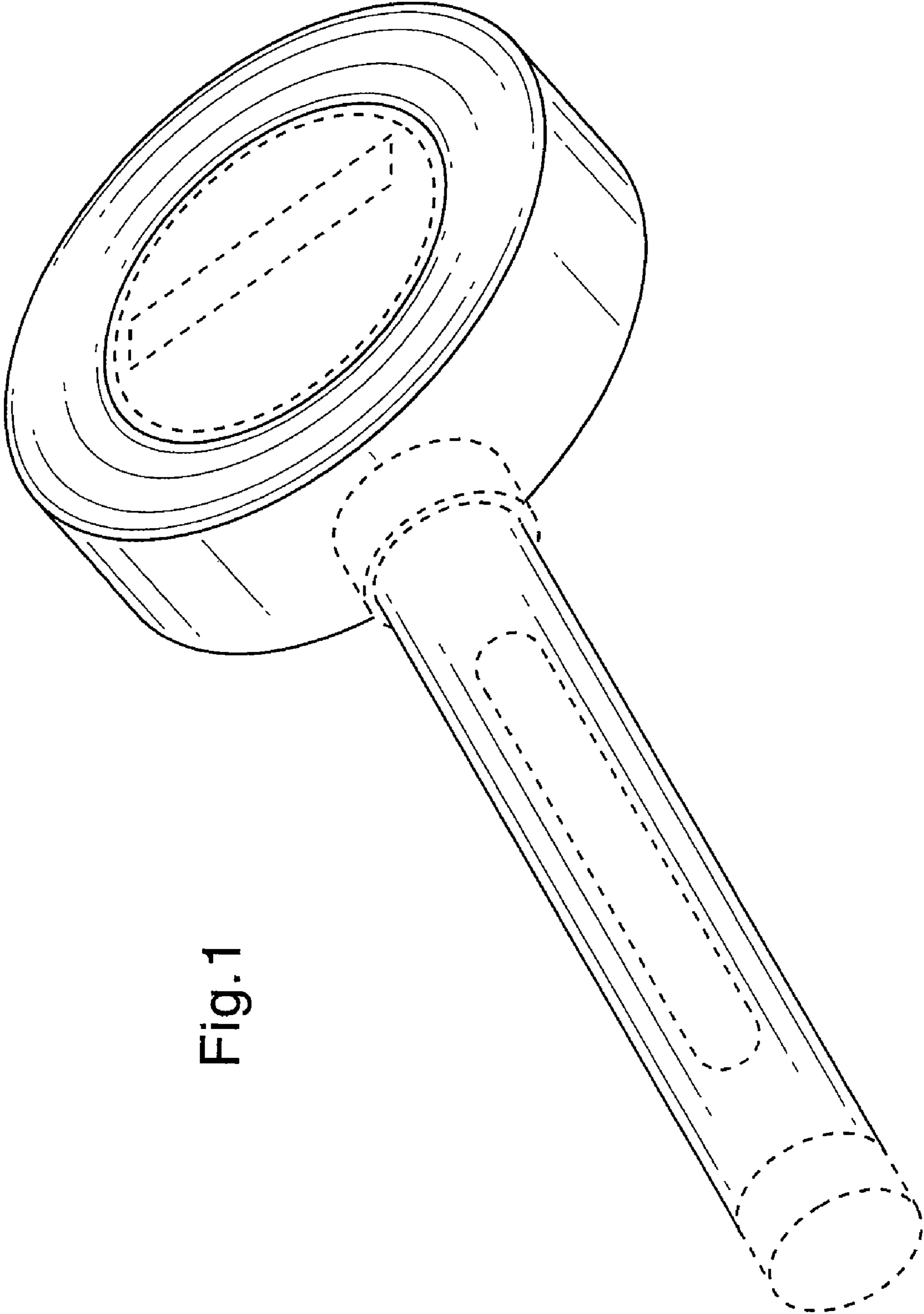


Fig. 1

Fig.2

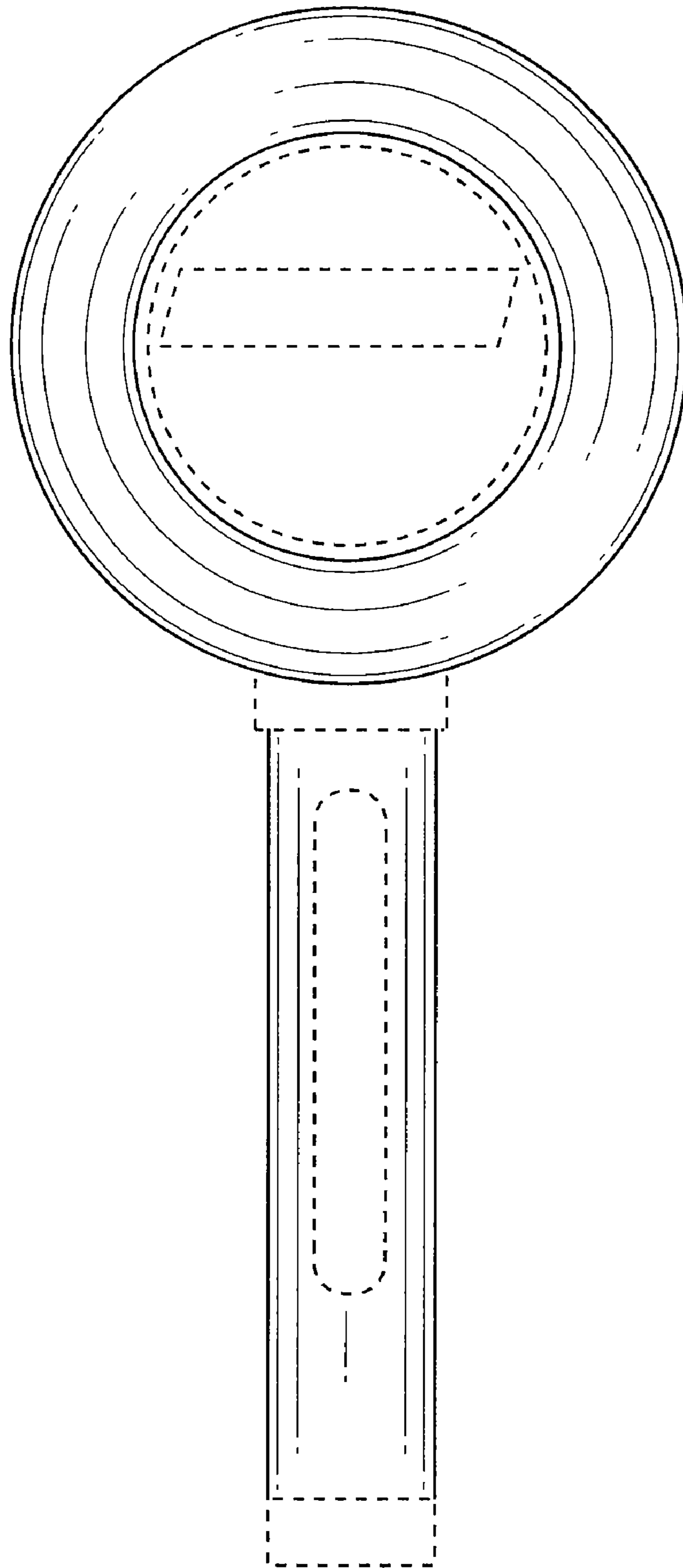


Fig.3

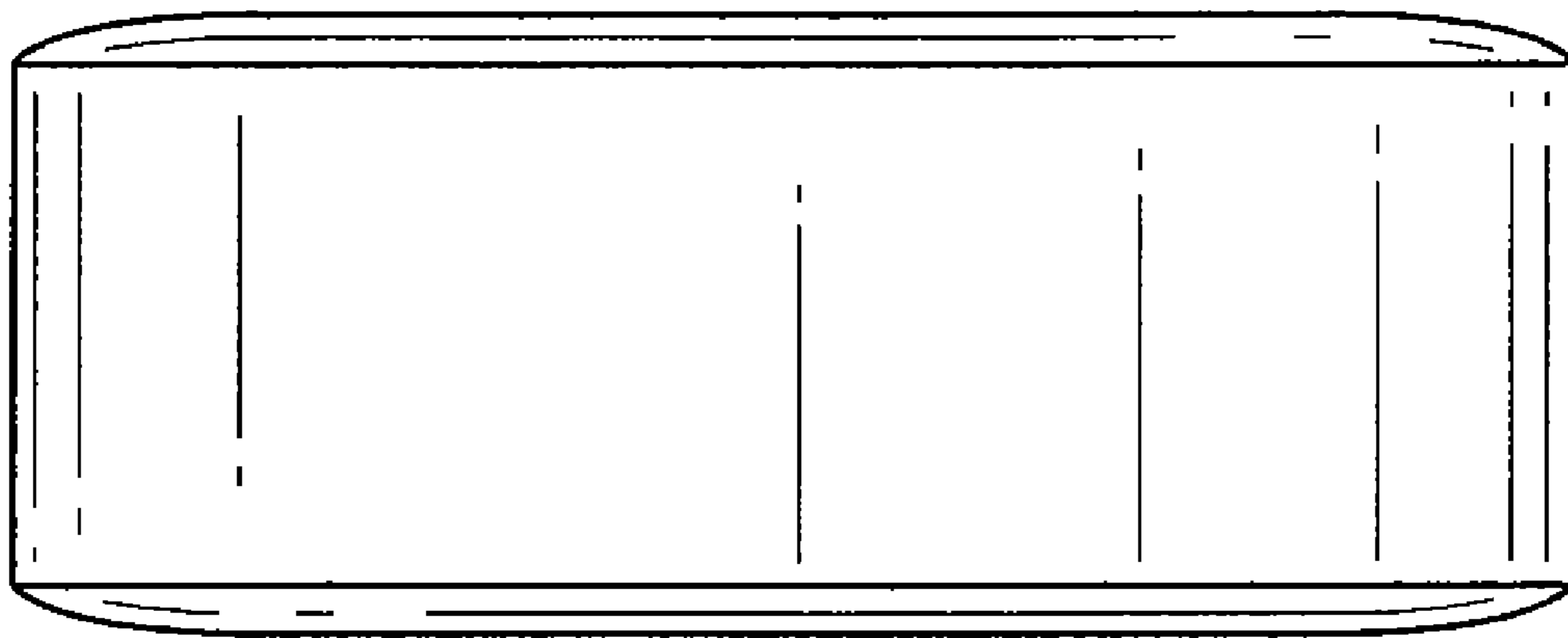


Fig. 4

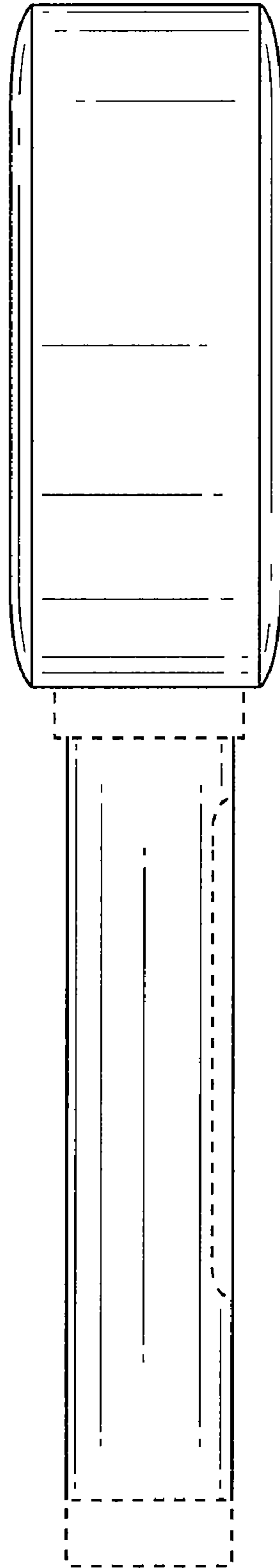


Fig.5

