



US00D557621S

(12) **United States Design Patent** (10) **Patent No.:** **US D557,621 S**  
**Pappas et al.** (45) **Date of Patent:** **\*\* Dec. 18, 2007**

(54) **ELECTRONIC TIME ATTENDANCE CLOCK**

(75) Inventors: **Anthony Henryk Pappas**, Woodland Hills, CA (US); **Scott K. Prewett**, Woodland Hills, CA (US); **Valerie L. Doran**, Woodland Hills, CA (US); **Stuart A. Karten**, Venice, CA (US)

(73) Assignee: **Exakttime Innovations, Inc.**, Woodland Hills, CA (US)

(\*\*) Term: **14 Years**

(21) Appl. No.: **29/247,022**

(22) Filed: **May 24, 2006**

(51) **LOC (8) Cl.** ..... **10-03**

(52) **U.S. Cl.** ..... **D10/41**

(58) **Field of Classification Search** ..... D10/41,  
D10/40, 1-29; 235/377; 368/107, 110-113;  
346/20

See application file for complete search history.

(56) **References Cited**

**U.S. PATENT DOCUMENTS**

D30,194 S *	2/1899	Bristol	.....	D10/46
2,983,443 A *	5/1961	Robinson	.....	235/377
4,506,274 A *	3/1985	Coe	.....	346/82
4,516,138 A *	5/1985	Iwasawa et al.	.....	346/80
4,603,335 A *	7/1986	Koyasu	.....	346/17
4,924,451 A *	5/1990	Hsiung	.....	705/32

D368,037 S *	3/1996	Staubitz et al.	.....	D10/41
6,061,303 A *	5/2000	Gauthier et al.	.....	368/10
6,560,166 B1 *	5/2003	Saito et al.	.....	368/47
7,114,648 B2 *	10/2006	Ginskey et al.	.....	235/377
2006/0146649 A1 *	7/2006	Pappas et al.	.....	368/10

\* cited by examiner

*Primary Examiner*—Lucy Lieberman

(74) *Attorney, Agent, or Firm*—Kelly Lowry & Kelley, LLP

(57) **CLAIM**

The ornamental design for an electronic time attendance clock, as shown.

**DESCRIPTION**

FIG. 1 is a perspective view of the electronic time attendance clock;

FIG. 2 is a front elevational view of the electronic time attendance clock shown in FIG. 1;

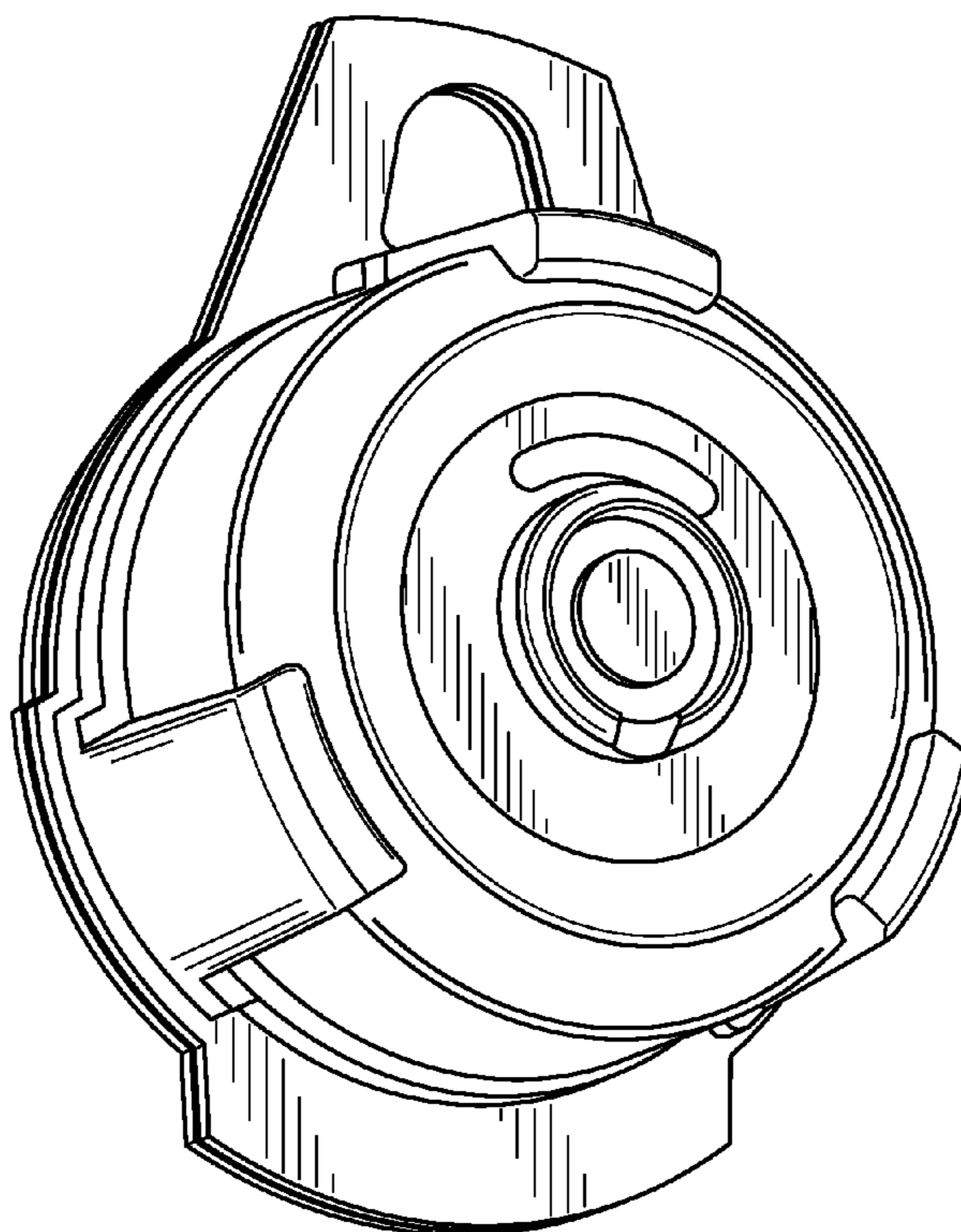
FIG. 3 is a rear elevational view of the electronic time attendance clock shown in FIG. 1;

FIG. 4 is a side elevational view of the electronic time attendance clock of FIG. 1;

FIG. 5 is a top view of an electronic time attendance clock of FIG. 1; and,

FIG. 6 is a bottom view of an electronic time attendance clock of FIG. 1.

**1 Claim, 3 Drawing Sheets**



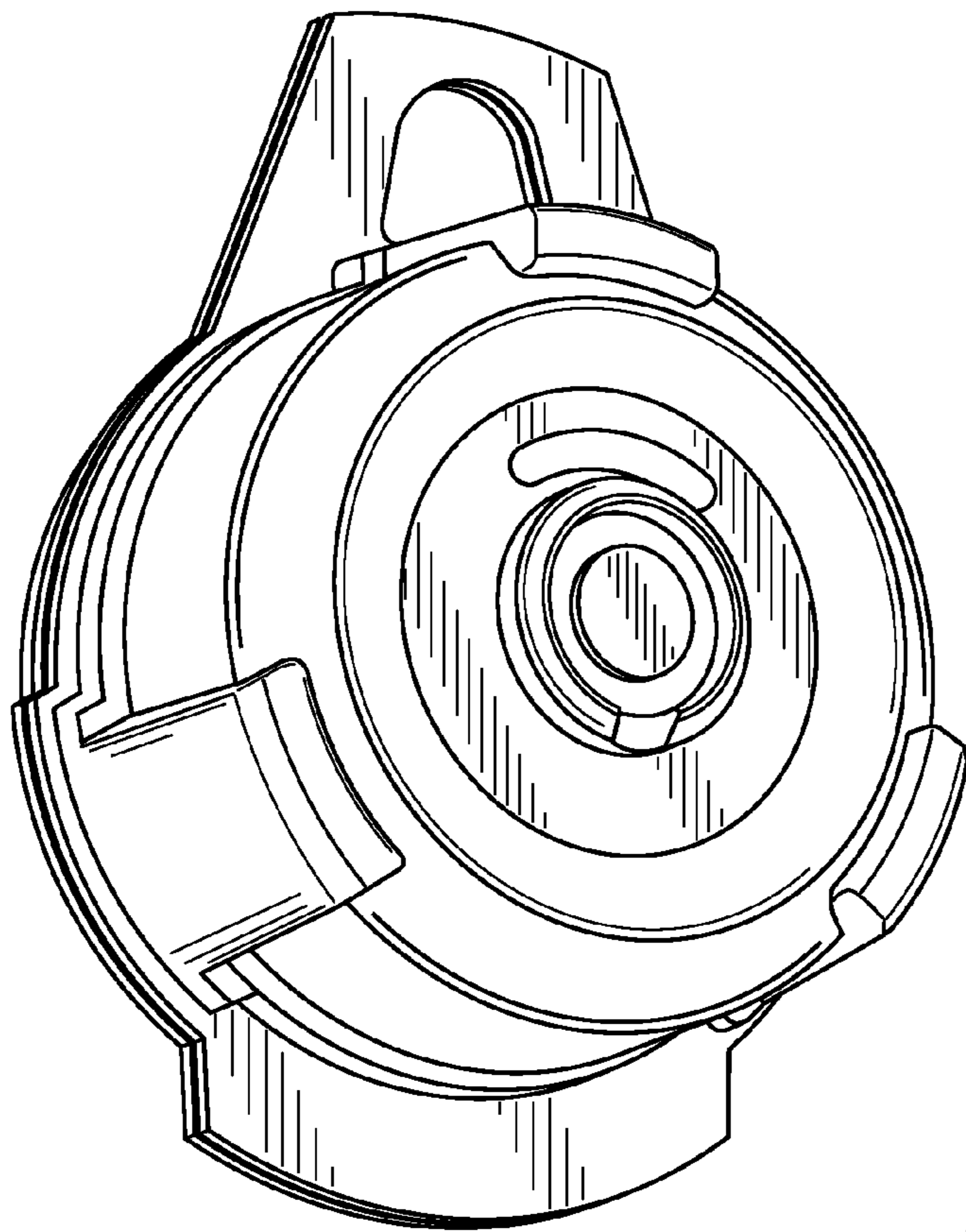


FIG. 1

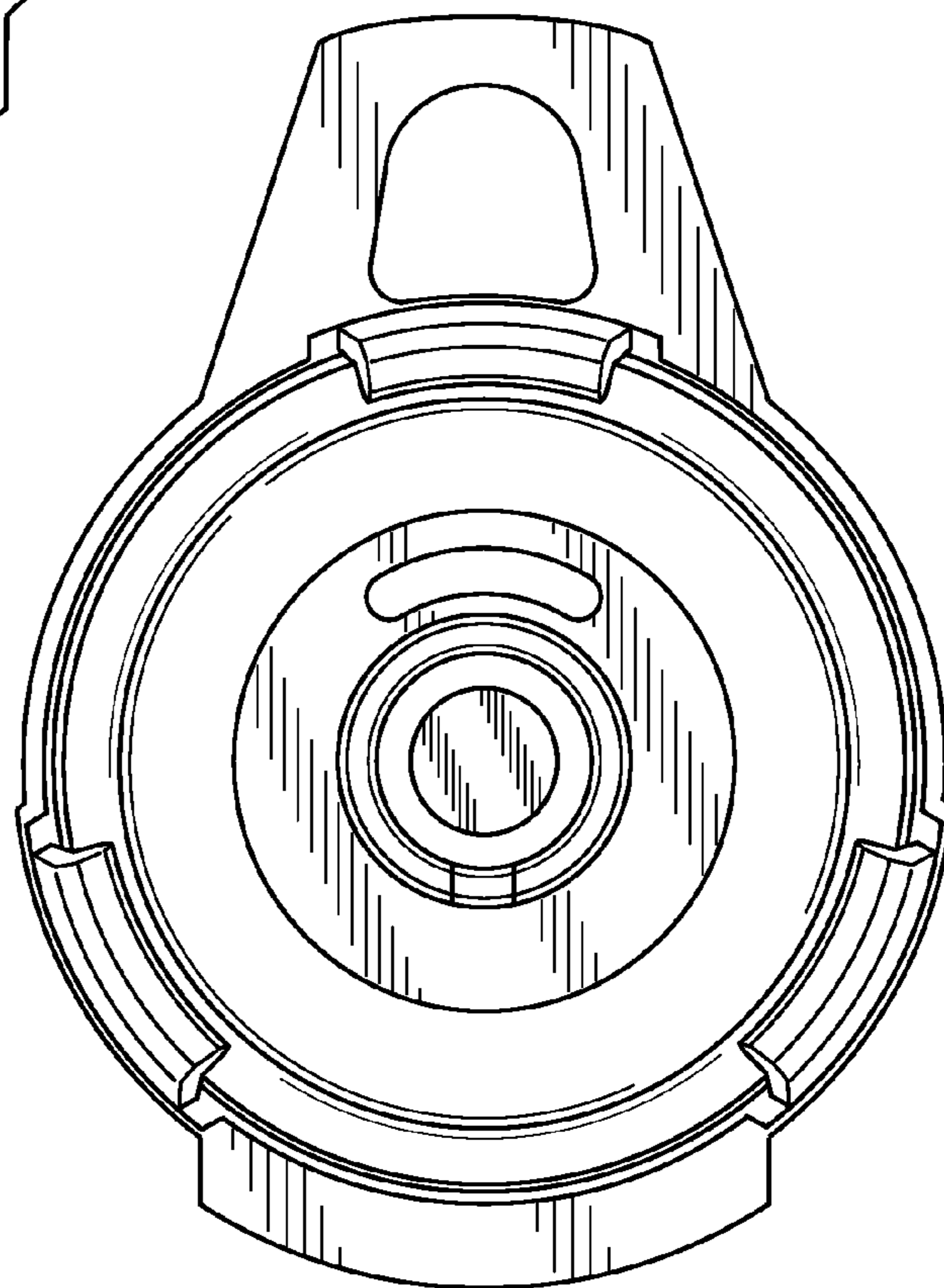


FIG. 2

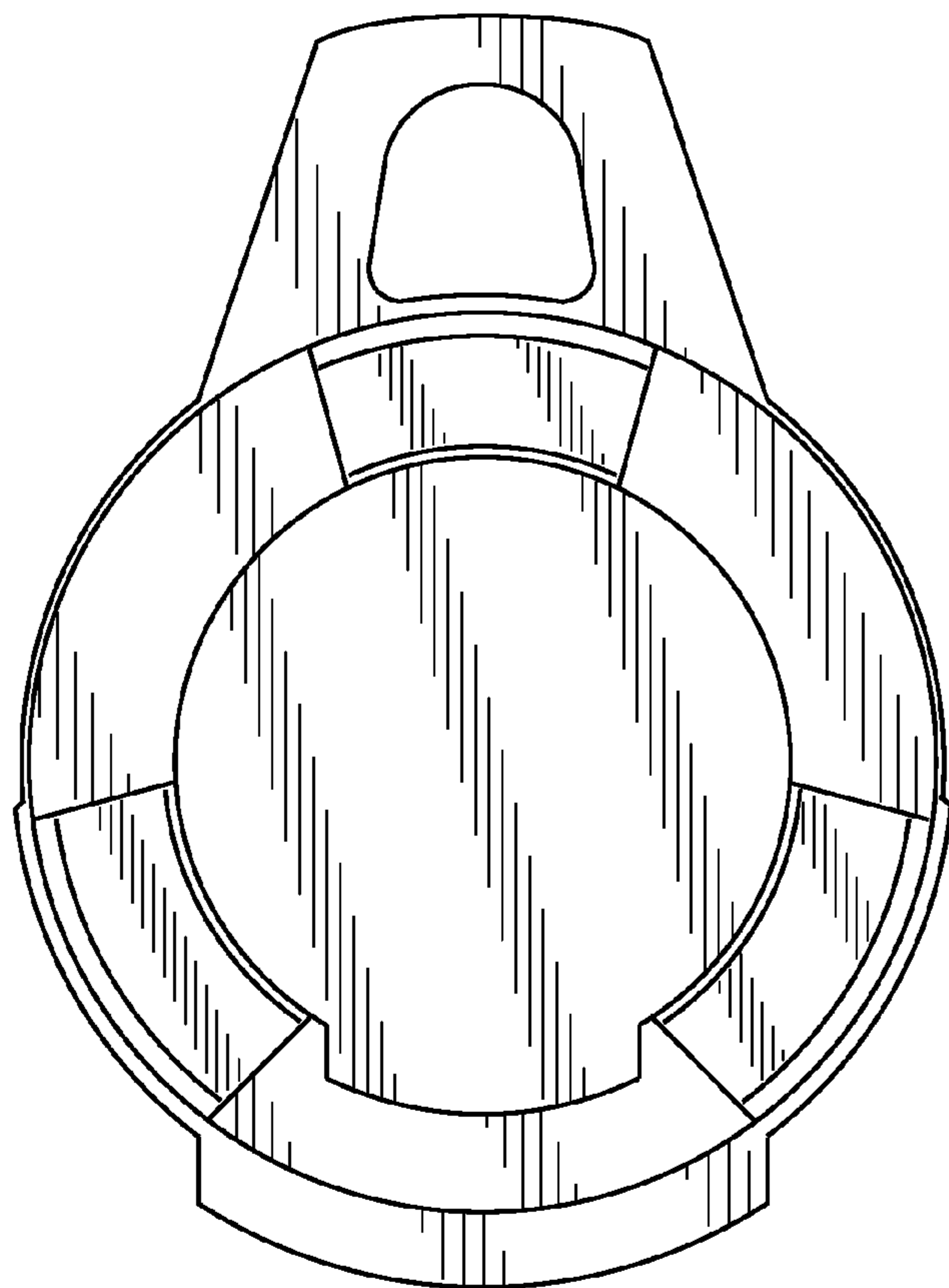


FIG. 3

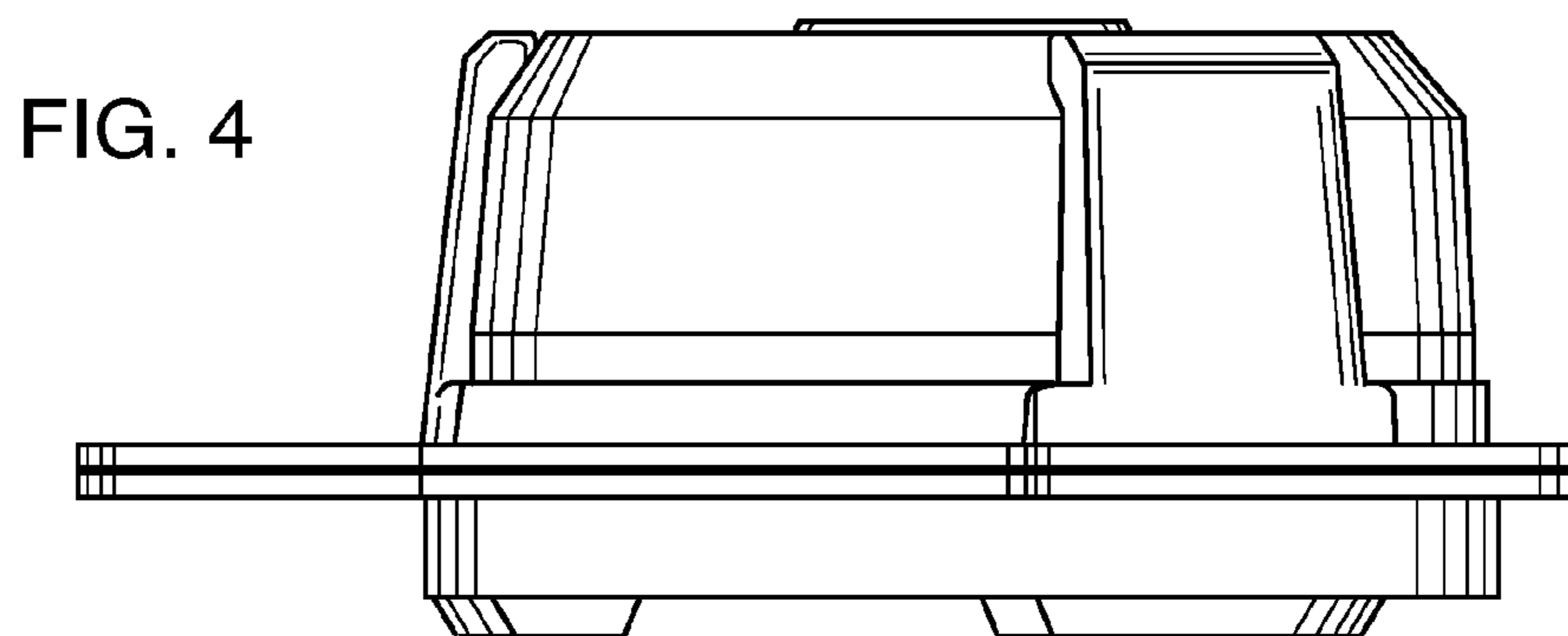


FIG. 4

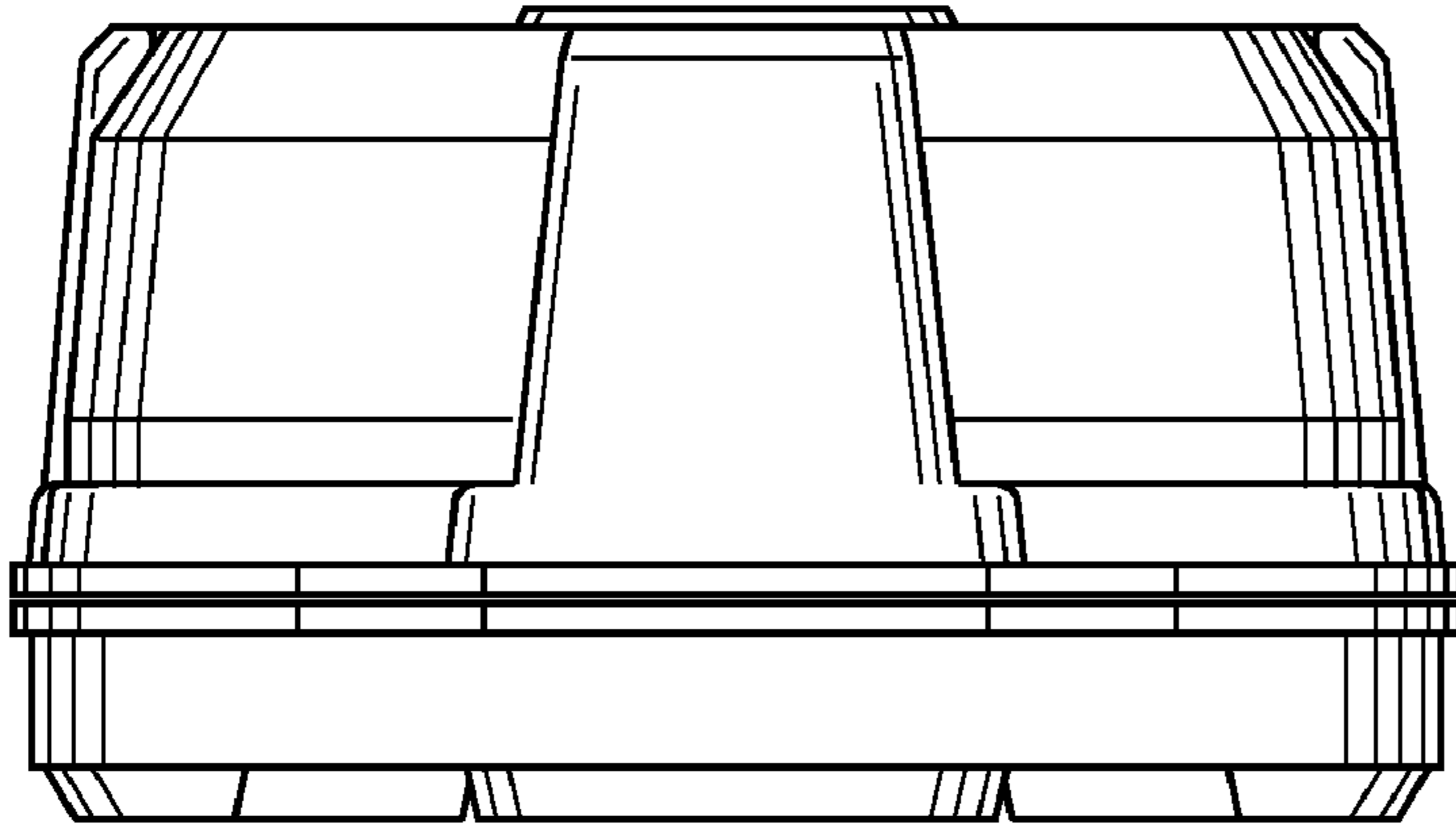


FIG. 5

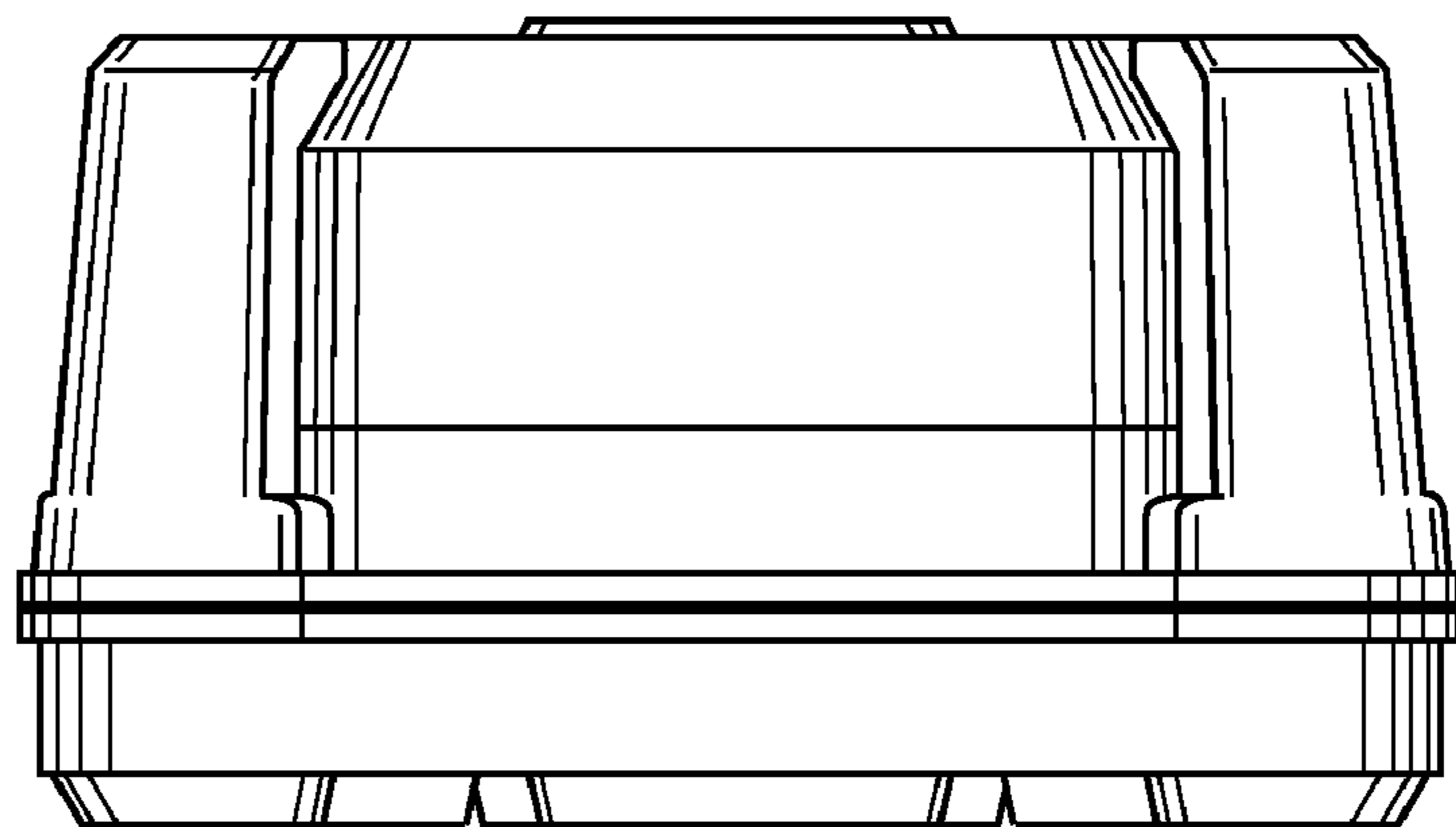


FIG. 6