



US00D557619S

(12) **United States Design Patent**  
**Moritz**

(10) **Patent No.:** **US D557,619 S**

(45) **Date of Patent:** **\*\* Dec. 18, 2007**

(54) **WATCH**

(75) **Inventor:** **Hans Karsten Moritz**, Foothill Ranch,  
CA (US)

(73) **Assignee:** **Oakley, Inc.**, Foothill Ranch, CA (US)

(\*\*) **Term:** **14 Years**

(21) **Appl. No.:** **29/286,108**

(22) **Filed:** **Apr. 23, 2007**

(51) **LOC (8) Cl.** ..... **10-02**

(52) **U.S. Cl.** ..... **D10/32; D10/38**

(58) **Field of Classification Search** ..... D10/30-39,  
D10/131; 368/276, 281, 282, 285, 80, 223,  
368/228, 232, 82-84, 241, 242; D11/3; 63/3,  
63/3.1; 224/164

See application file for complete search history.

(56) **References Cited**

**U.S. PATENT DOCUMENTS**

3,986,335	A *	10/1976	Harper	.....	368/83
5,878,002	A *	3/1999	Pfeil	.....	368/10
5,892,455	A *	4/1999	Matsumoto	.....	340/7.55
D413,071	S *	8/1999	Fichter	.....	D10/39
5,974,000	A *	10/1999	Pfeil	.....	368/10
D443,528	S *	6/2001	Tomimatsu	.....	D10/30

D473,800	S *	4/2003	Moritz et al.	.....	D10/32
D474,118	S *	5/2003	Monachon	.....	D10/32
6,570,823	B1 *	5/2003	Gilomen et al.	.....	368/113
D486,401	S *	2/2004	Yee et al.	.....	D10/30
D498,682	S *	11/2004	Moritz et al.	.....	D10/30
D542,158	S *	5/2007	Thixton	.....	D10/38
7,210,845	B2 *	5/2007	Oesch et al.	.....	368/320

\* cited by examiner

*Primary Examiner*—Lucy Lieberman

(74) *Attorney, Agent, or Firm*—Gregory K. Nelson

(57) **CLAIM**

The ornamental design for a watch, as shown.

**DESCRIPTION**

FIG. 1 is a front perspective view of the watch of the present invention;

FIG. 2 is a front elevational view thereof;

FIG. 3 is a rear elevational view thereof;

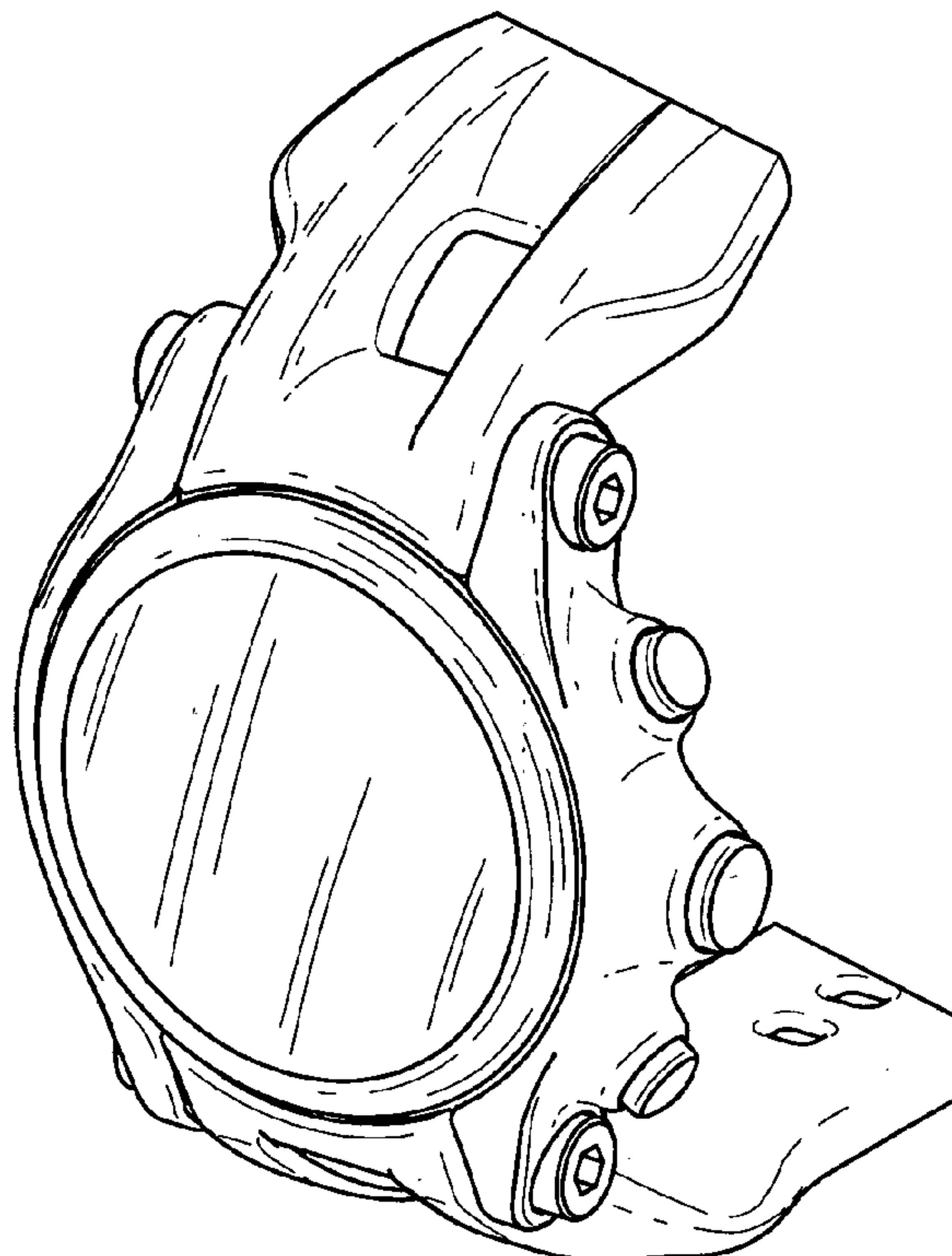
FIG. 4 is a right-side elevational view thereof;

FIG. 5 is a left-side elevational view thereof;

FIG. 6 is a top plan view thereof; and,

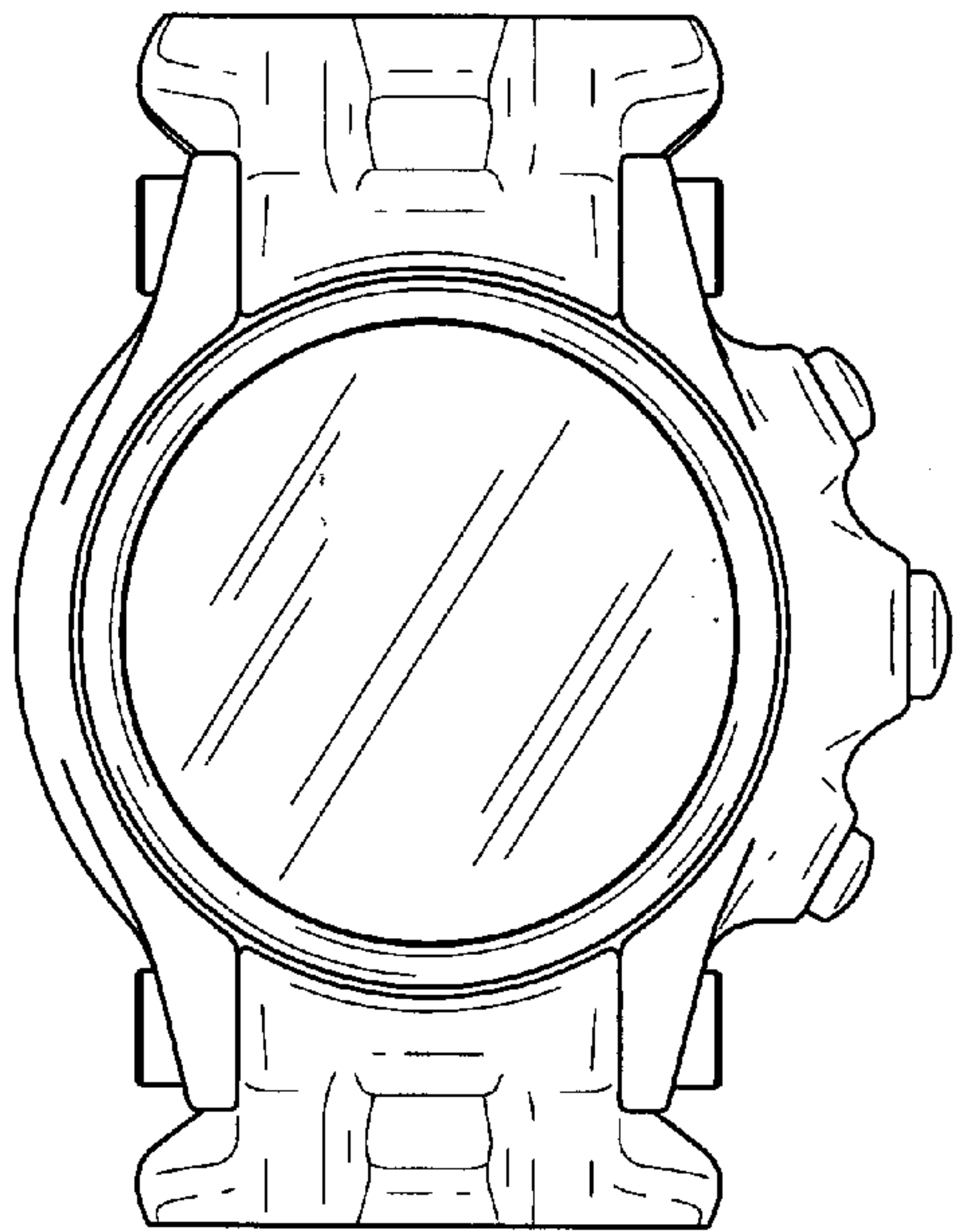
FIG. 7 is a bottom plan view thereof.

**1 Claim, 4 Drawing Sheets**

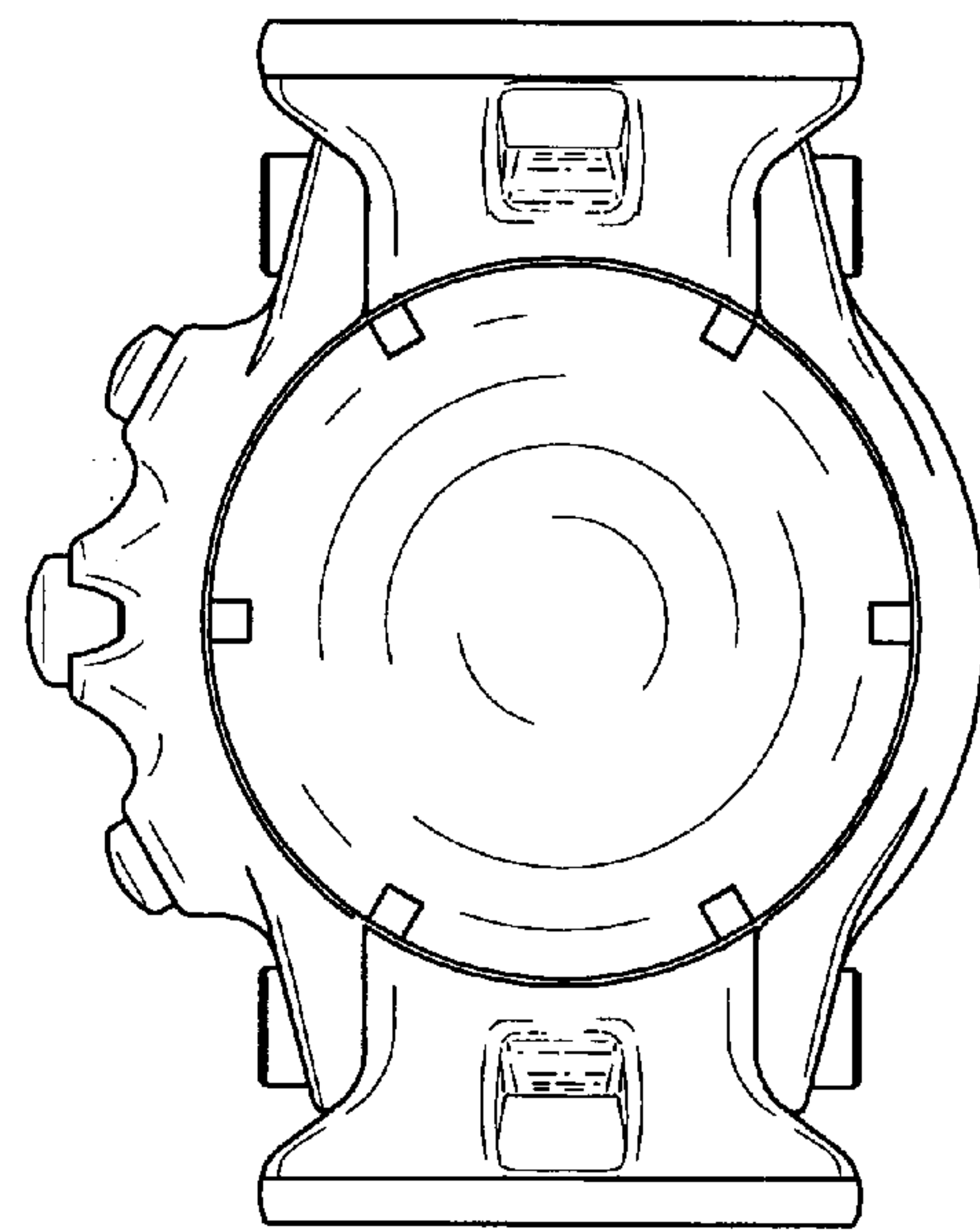




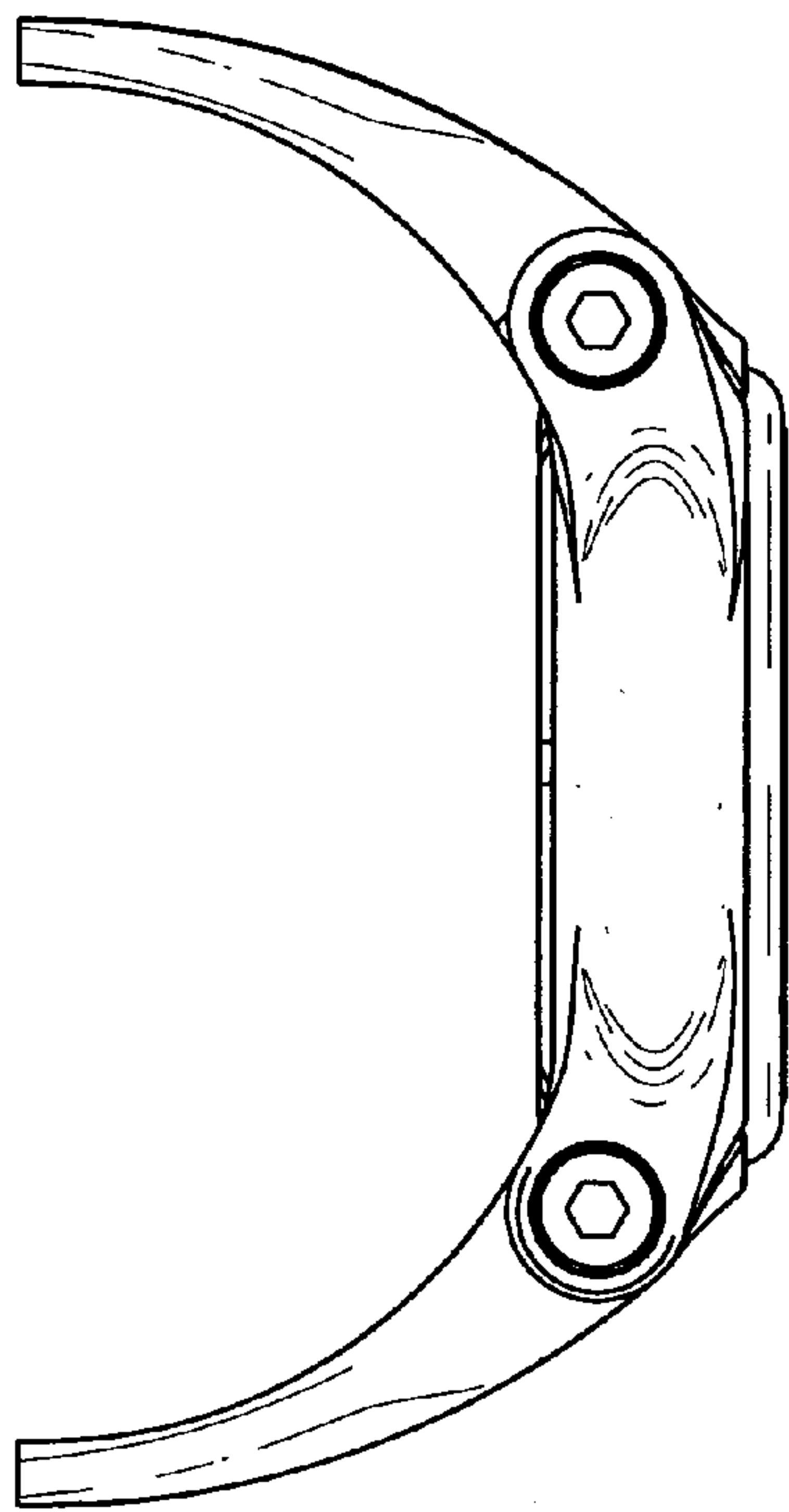
***FIG. 1***



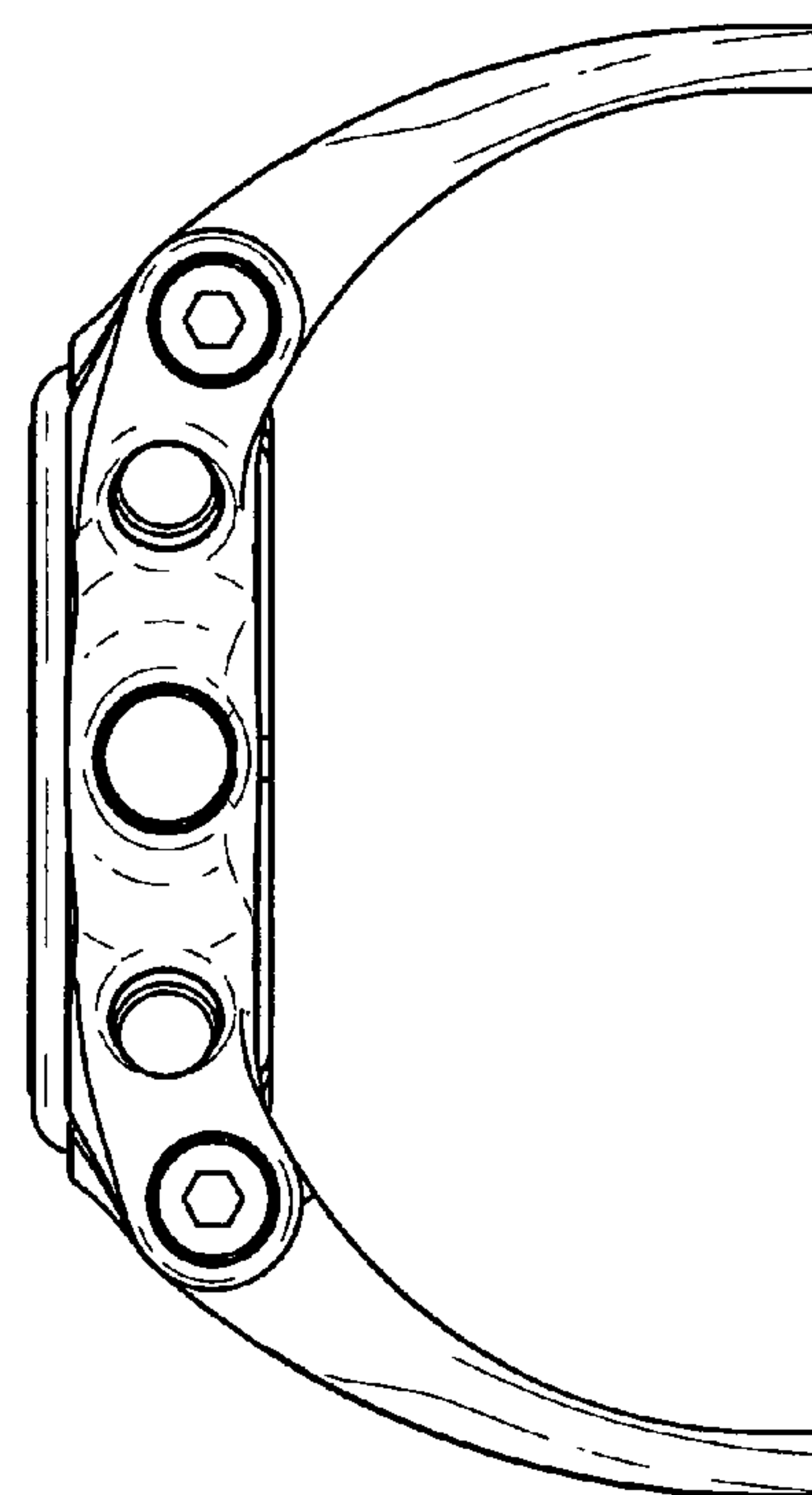
**FIG. 2**



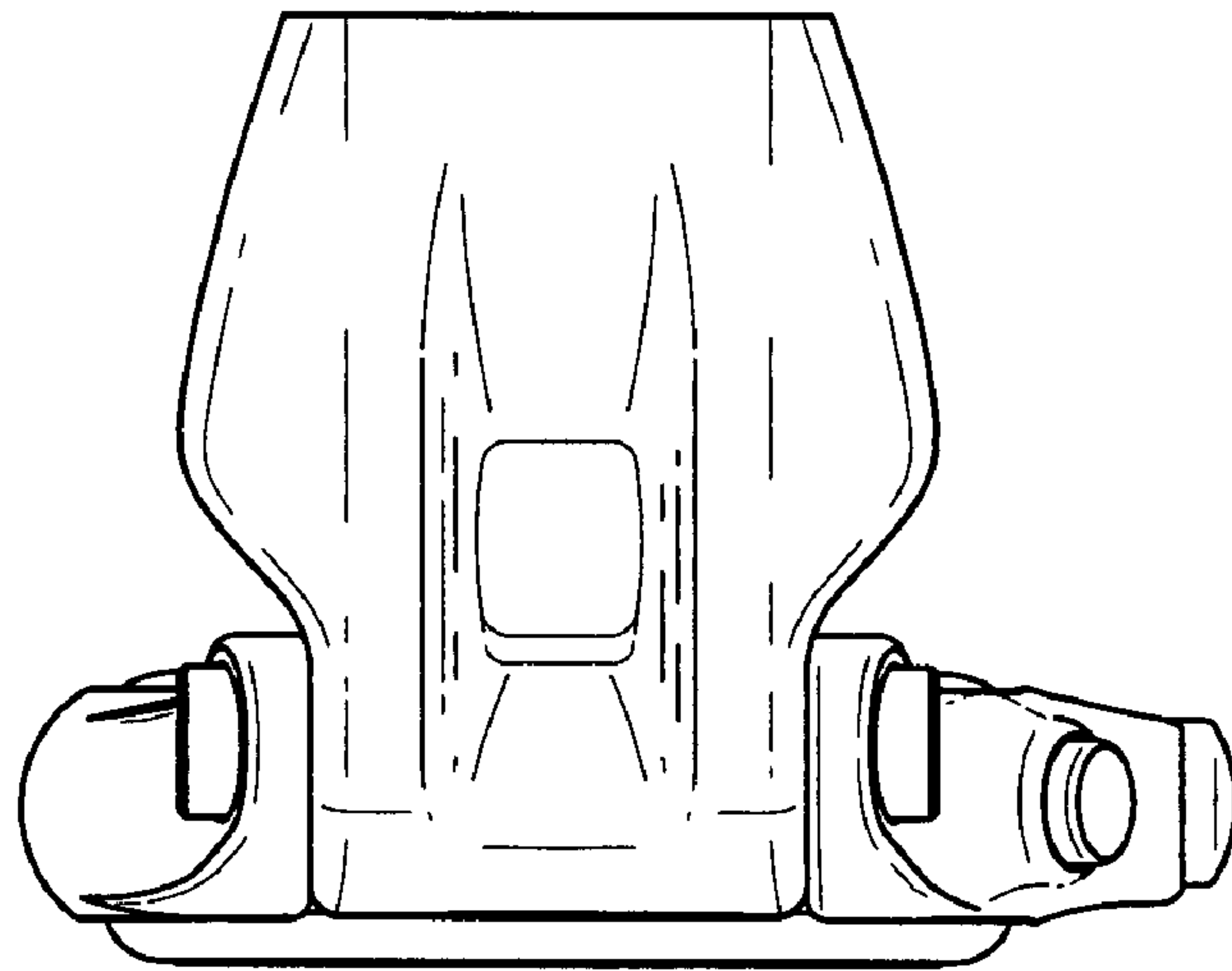
**FIG. 3**



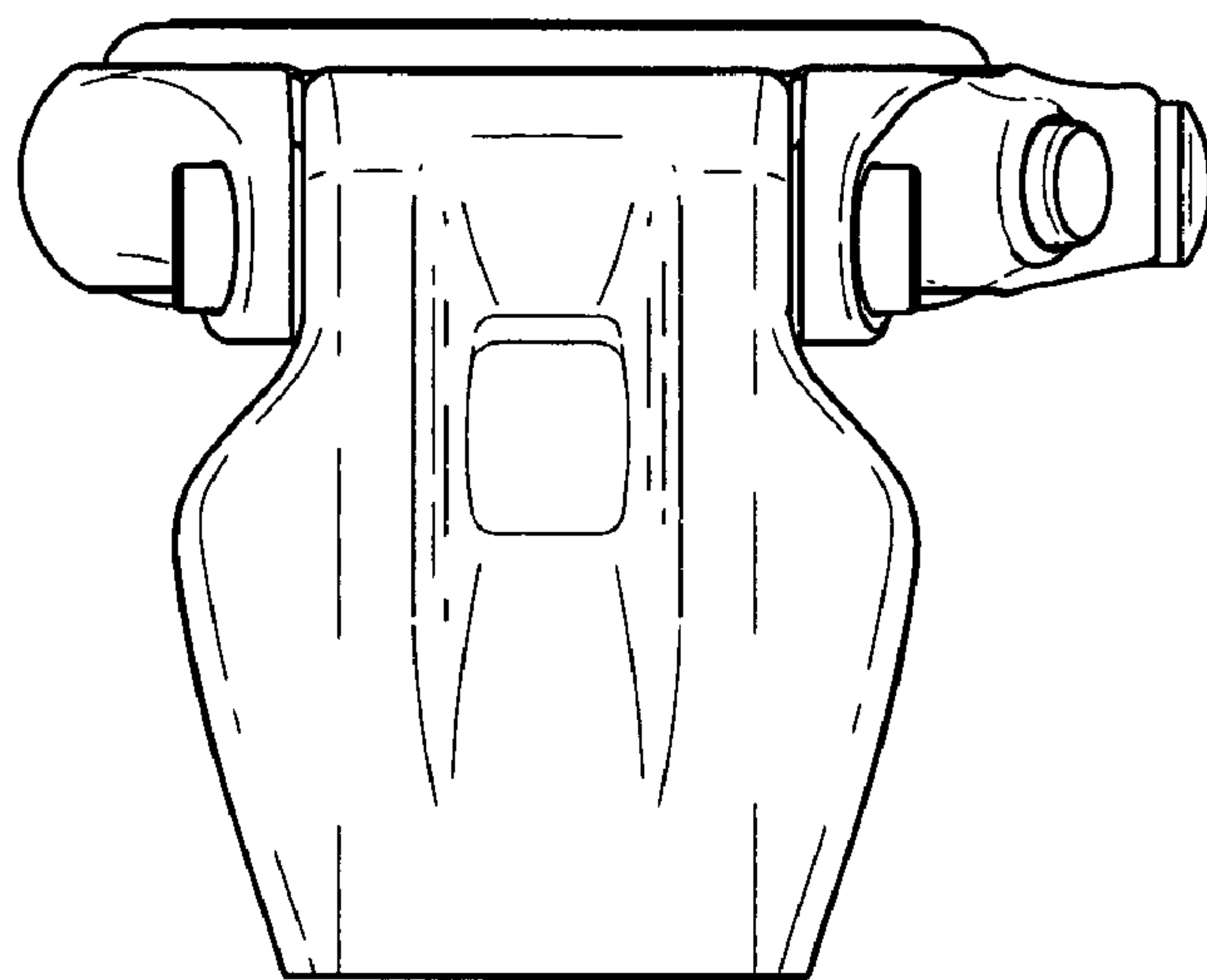
**FIG. 4**



**FIG. 5**



**FIG. 6**



**FIG. 7**