



US00D557605S

(12) **United States Design Patent**
Reber, II et al.

(10) **Patent No.:** **US D557,605 S**

(45) **Date of Patent:** **** Dec. 18, 2007**

(54) **GLUE STICK CONTAINER**

(75) Inventors: **Fred Reber, II**, Statesville, NC (US);
Todd Pasnak, Westerville, OH (US)

(73) Assignee: **Elmer's Products, Inc.**, Columbus, OH (US)

(**) Term: **14 Years**

(21) Appl. No.: **29/247,272**

(22) Filed: **Jun. 9, 2006**

(51) **LOC (8) Cl.** **09-07**

(52) **U.S. Cl.** **D9/453**

(58) **Field of Classification Search** D9/686,
D9/503, 453, 452, 447, 445, 444, 724; D8/307;
D24/121, 114; D23/250; 220/905; 215/252,
215/228; D28/7; 222/546

See application file for complete search history.

(56) **References Cited**

U.S. PATENT DOCUMENTS

D391,491 S *	3/1998	Lang	D9/529
D461,407 S *	8/2002	Barnes et al.	D9/453
D488,864 S *	4/2004	Fago et al.	D24/121
D512,129 S *	11/2005	Gilbert	D23/250

* cited by examiner

Primary Examiner—Gary D. Watson

Assistant Examiner—Susan Bennett Hattan

(74) *Attorney, Agent, or Firm*—McNees Wallace & Nurick LLC

(57) **CLAIM**

The ornamental design for a glue stick container, substantially as shown and described.

DESCRIPTION

FIG. 1 is an isometric view of a glue stick container showing the new design;

FIG. 2 is a front isometric view thereof, shown at a larger scale;

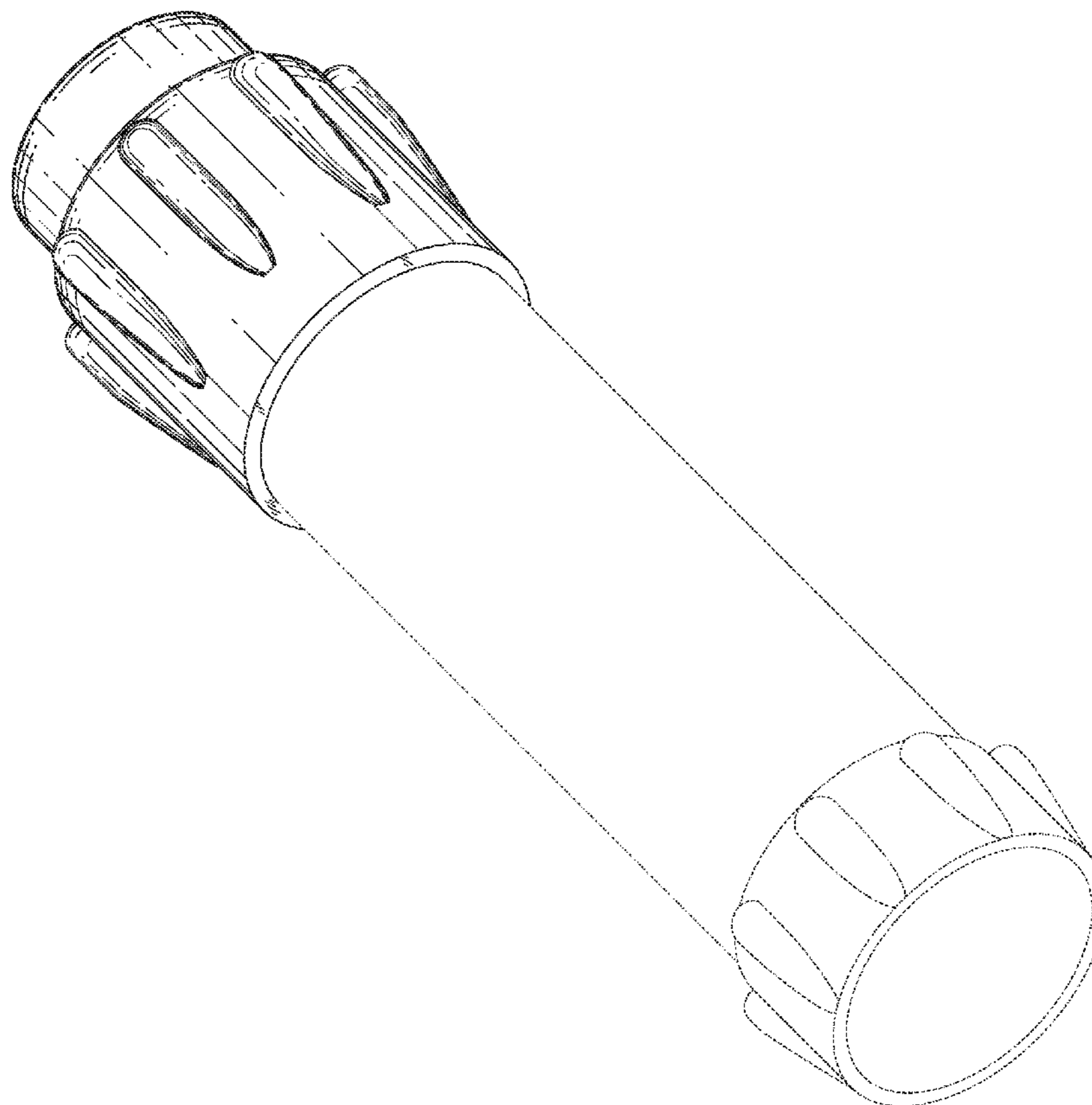
FIG. 3 is an inverted front elevational view thereof;

FIG. 4 is a bottom plan view thereof; and,

FIG. 5 is a top plan view thereof.

The broken lines shown in the drawings are for illustrative purposes only and form no part of the claimed design. Additionally, while described as a glue stick container, use of the ornamental container design is not limited to containing glue sticks.

1 Claim, 4 Drawing Sheets



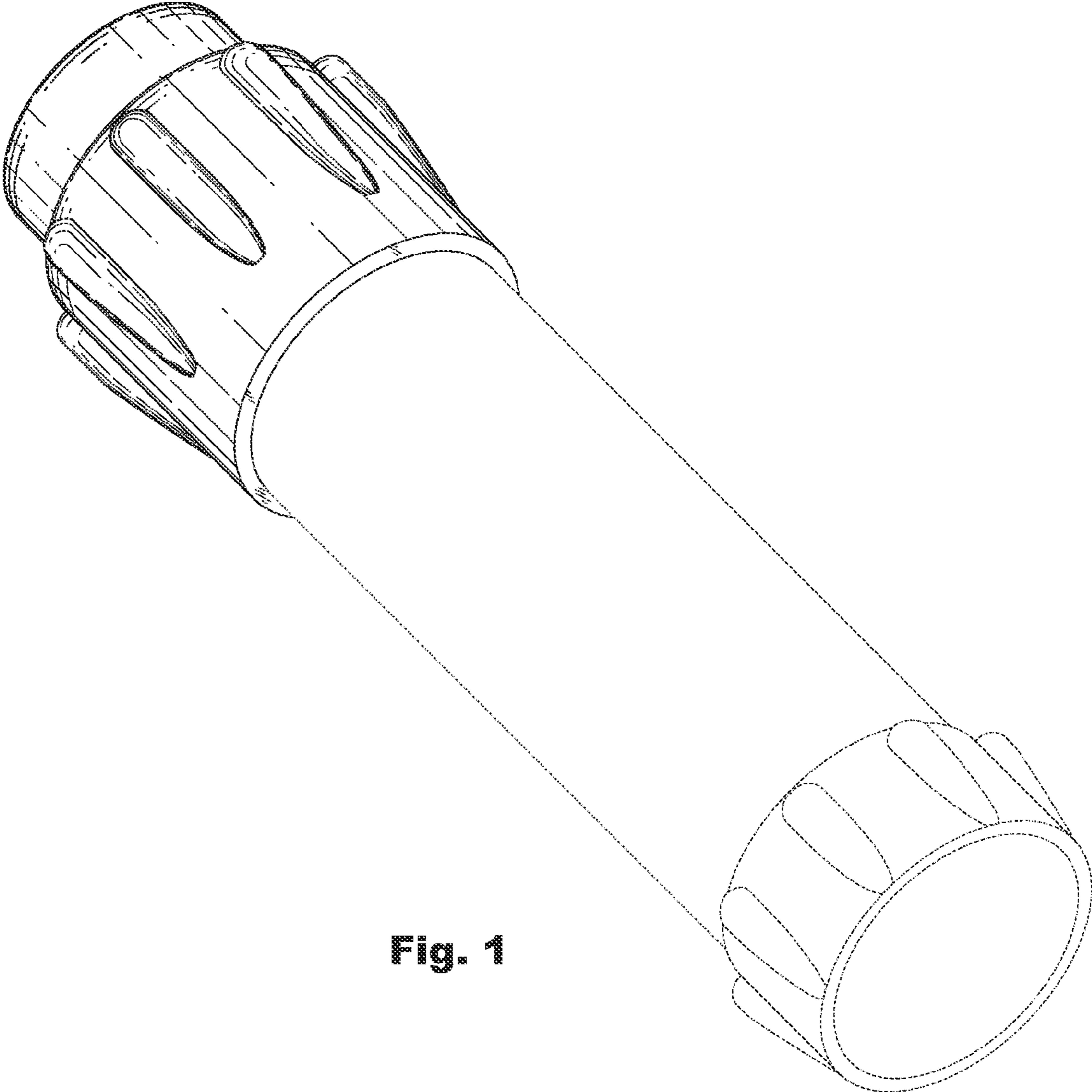


Fig. 1

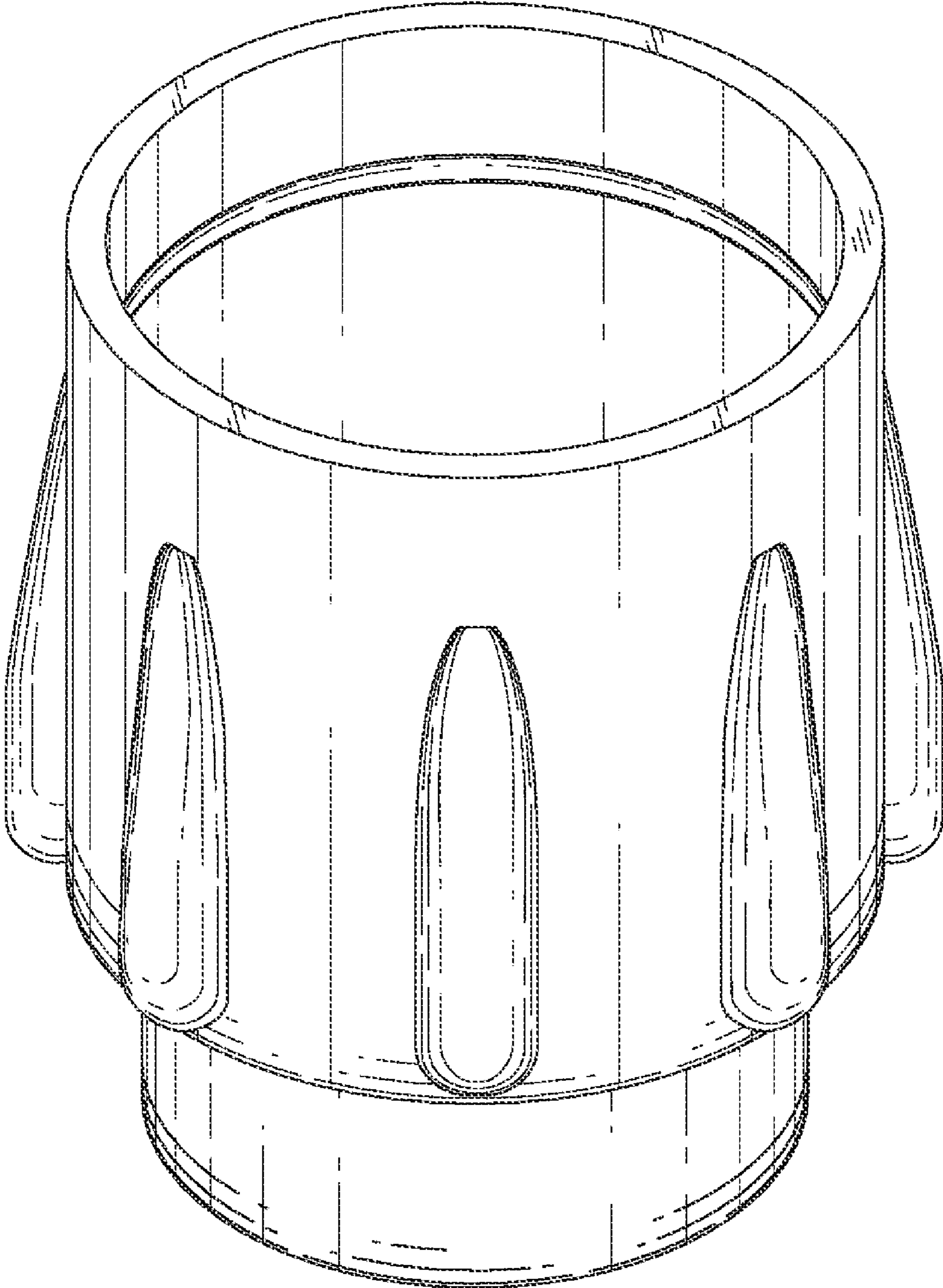


Fig. 2

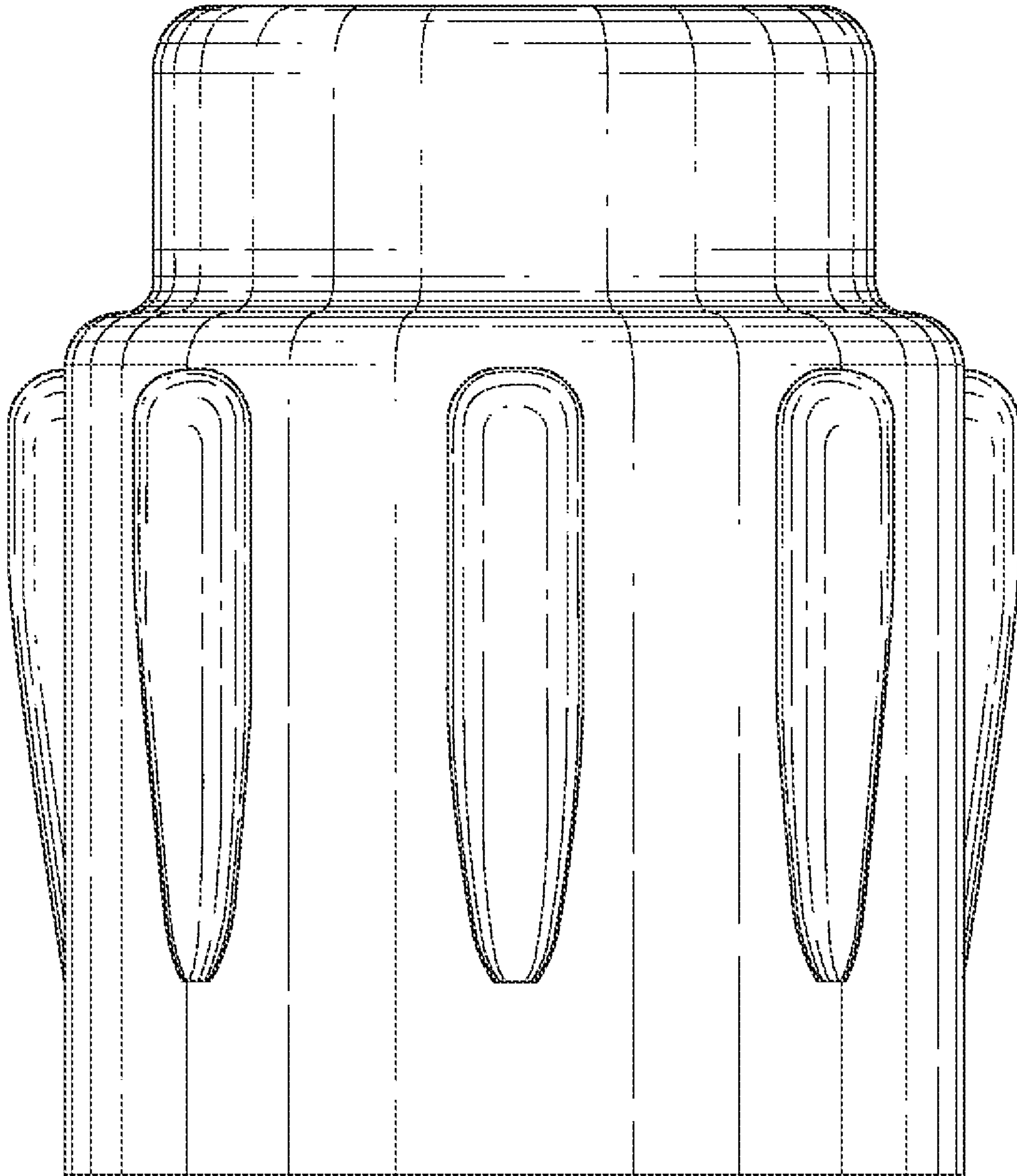


Fig. 3

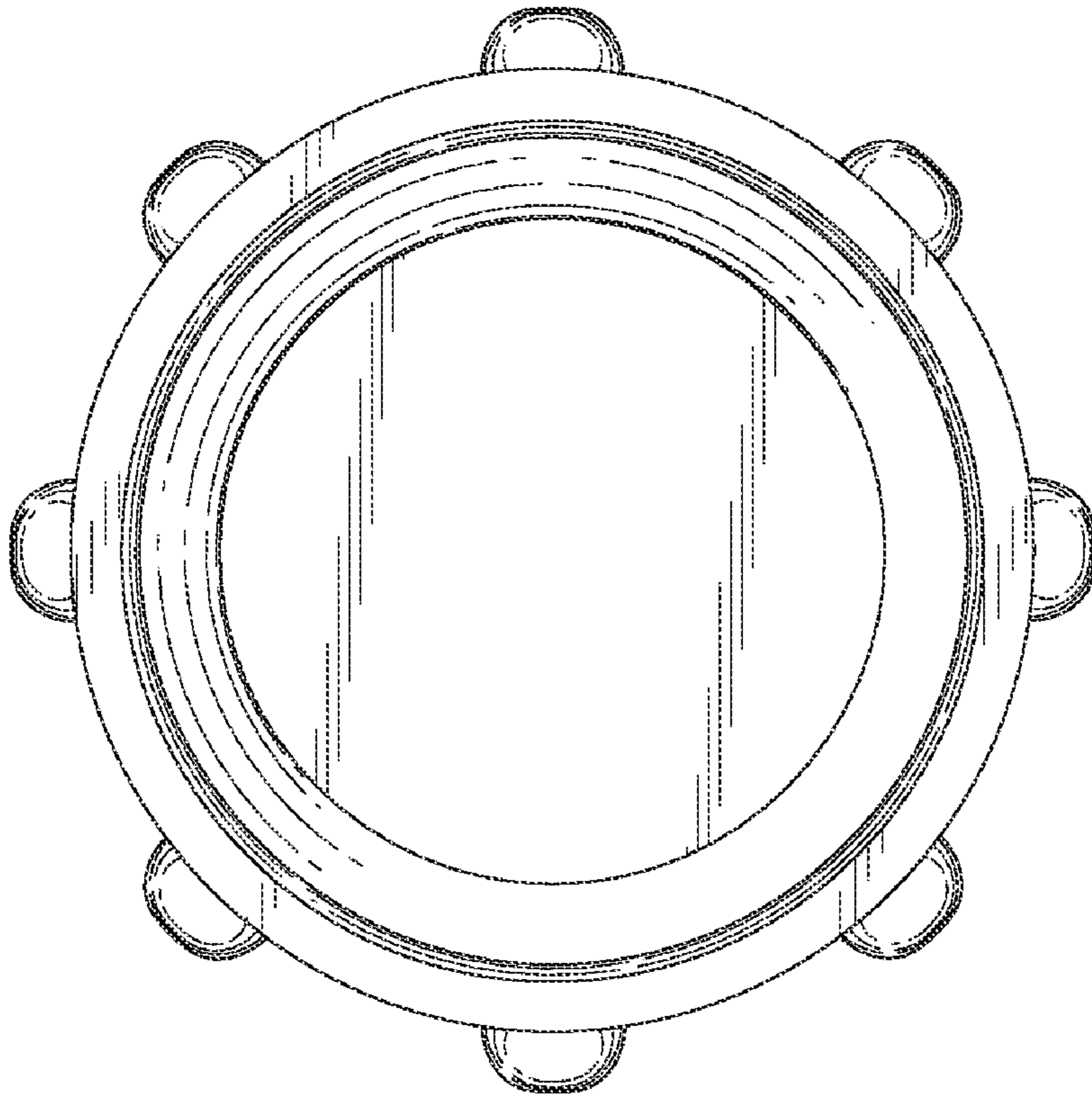


Fig. 4

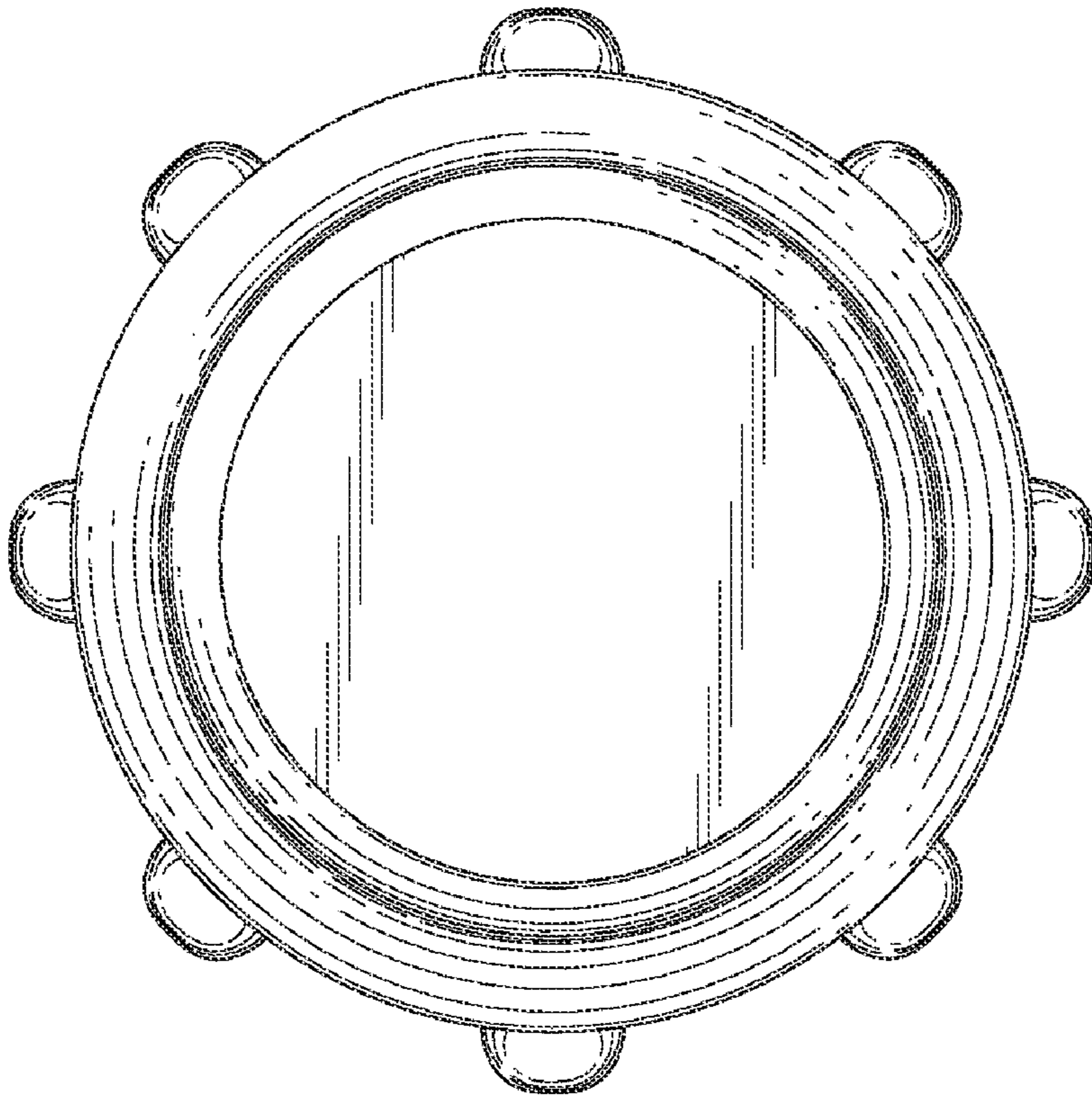


Fig. 5