



US00D557602S

(12) **United States Design Patent**  
**Terrasi**

(10) **Patent No.:** **US D557,602 S**

(45) **Date of Patent:** **\*\* Dec. 18, 2007**

(54) **PACKAGING FOR FOOD PRODUCTS**

(75) Inventor: **Giuseppe Terrasi**, Benevello (IT)

(73) Assignee: **Soremartec S.A.**, Schoppach Arlon (BE)

(\*\*) Term: **14 Years**

(21) Appl. No.: **29/209,875**

(22) Filed: **Jul. 23, 2004**

(30) **Foreign Application Priority Data**

Jan. 26, 2004 (EM) ..... 000133251

(51) **LOC (8) Cl.** ..... **09-03**

(52) **U.S. Cl.** ..... **D9/431**

(58) **Field of Classification Search** ..... D9/430-432,  
D9/414, 420, 423-426; D3/903, 901; D24/83;  
220/4.21-4.25, DIG. 12, DIG. 13, 62.13;  
206/6.1, 800, 823, 301, 822; 229/904.1,  
229/902, 905, 906

See application file for complete search history.

(56) **References Cited**

**U.S. PATENT DOCUMENTS**

D5,599 S *	3/1872	Schoenemann	.....	D3/270
D5,833 S *	4/1872	Schoenemann	.....	D3/270
D6,982 S *	11/1873	Moore	.....	D9/432
805,732 A *	11/1905	Kahle	.....	206/6.1
1,436,406 A *	11/1922	Schulz	.....	220/319
D66,986 S *	4/1925	Ritter	.....	D3/270
D159,964 S *	9/1950	Du Bois et al.	.....	D9/420
D265,977 S *	8/1982	Strongwater	.....	D9/424
D273,051 S *	3/1984	Runyon	.....	D28/76
D316,036 S *	4/1991	Kaplan	.....	D9/423
D373,221 S *	8/1996	Lai	.....	D28/83
D400,708 S *	11/1998	Srinaul	.....	D3/294
D412,398 S *	8/1999	Watabe	.....	D3/294

D423,345 S *	4/2000	Sugarman	.....	D9/423
D446,449 S *	8/2001	Conway	.....	D9/420
D469,607 S *	2/2003	Wolff	.....	D3/294
D473,462 S *	4/2003	Green et al.	.....	D9/430
D496,271 S *	9/2004	Hoeltgen	.....	D9/424
D508,648 S *	8/2005	Au	.....	D9/420
D531,025 S *	10/2006	Tanner	.....	D9/426

**OTHER PUBLICATIONS**

English Translation of Office Action from corresponding application 2004-022337 with reference: Korean Design Gazette, Dec. 4, 1989, p. 90, (Japanese Design Division Prior Art Reference No. HH02014321).

English Translation of Office Action from corresponding application 93304356 with reference.

\* cited by examiner

*Primary Examiner*—Stella M. Reid

*Assistant Examiner*—Mark Goodwin

(74) *Attorney, Agent, or Firm*—Rothwell, Figg, Ernst & Manbeck, P.C.

(57) **CLAIM**

The ornamental design for a packaging for food products, as shown and described.

**DESCRIPTION**

FIG. 1 is an enlarged perspective view of the packaging for food products showing my new design;

FIG. 2 is a front view thereof;

FIG. 3 is a right view thereof;

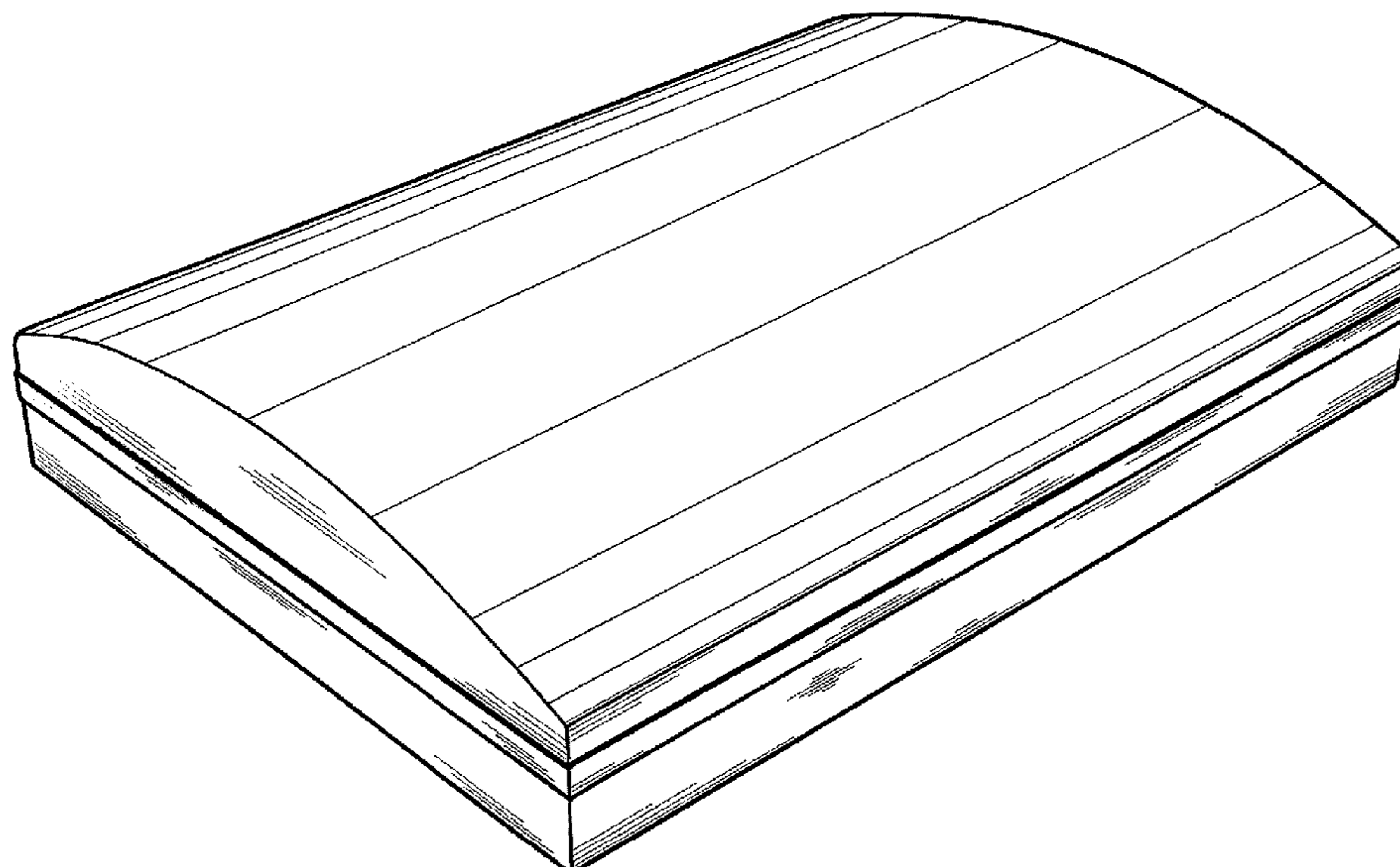
FIG. 4 is a left view thereof;

FIG. 5 is a rear view thereof;

FIG. 6 is a top view thereof; and,

FIG. 7 is a bottom view thereof.

**1 Claim, 2 Drawing Sheets**



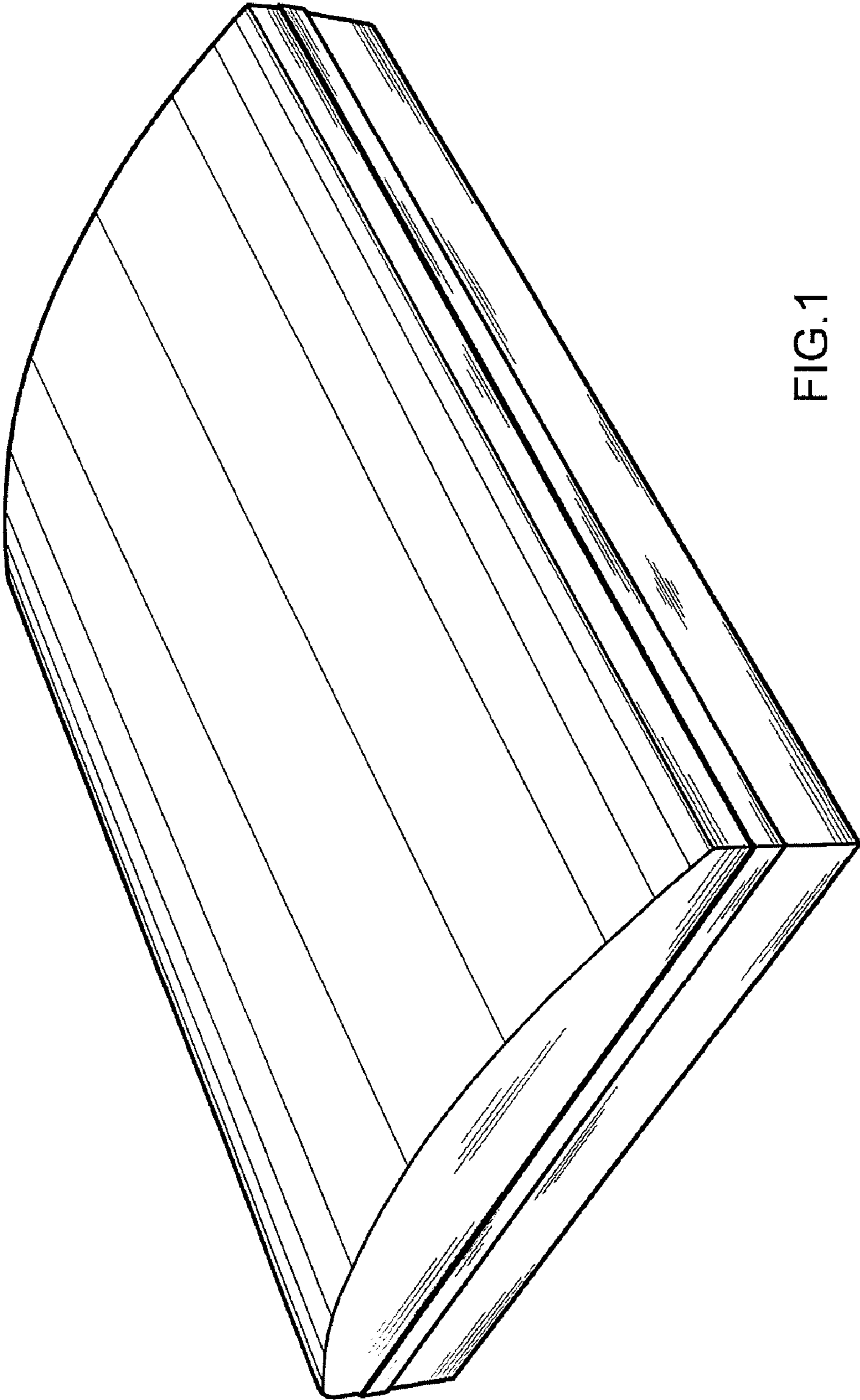


FIG.1

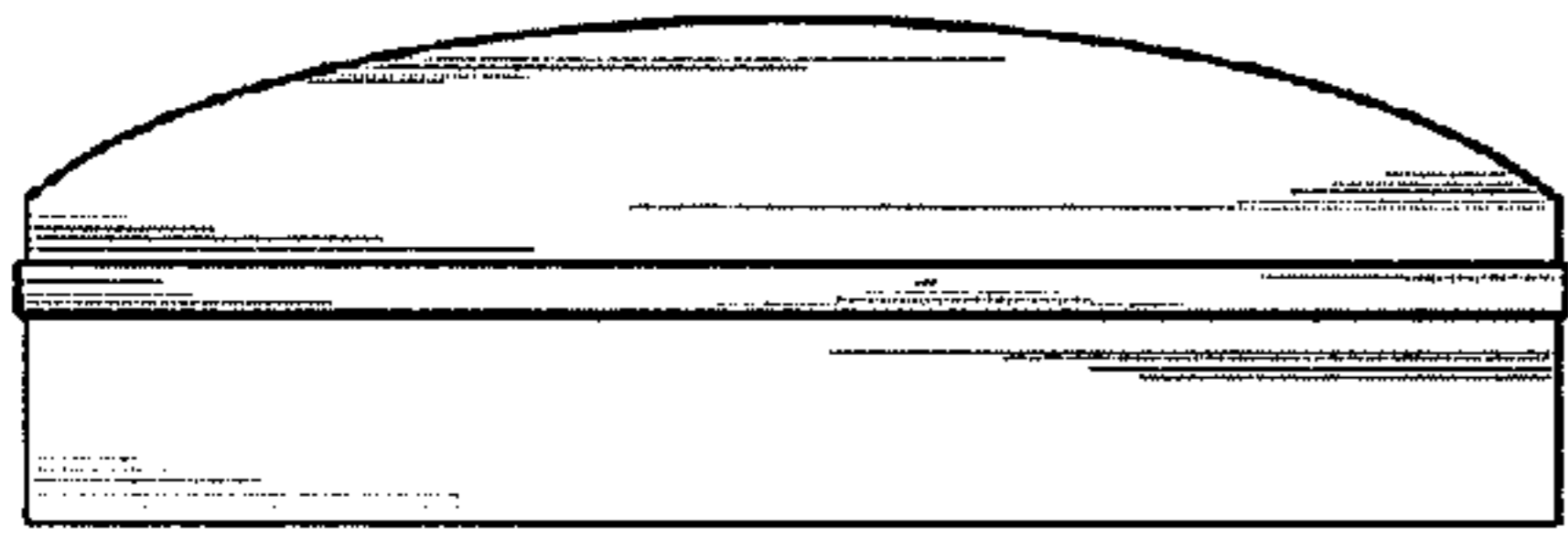


FIG. 3

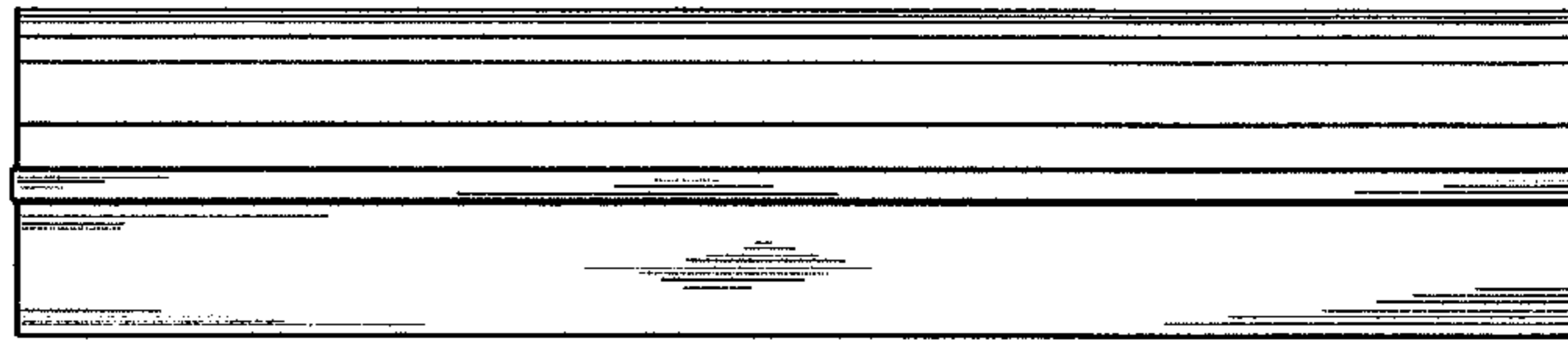


FIG. 2

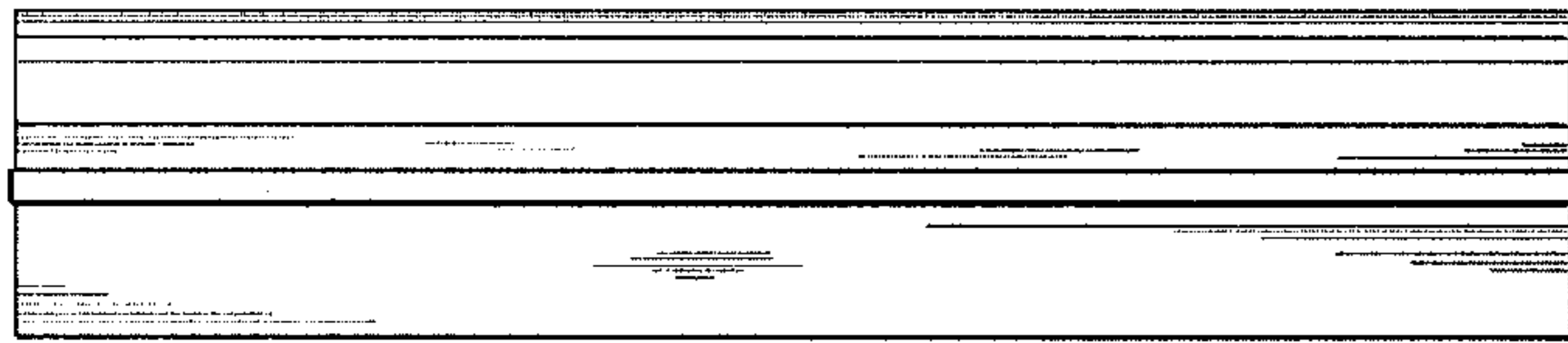


FIG. 5

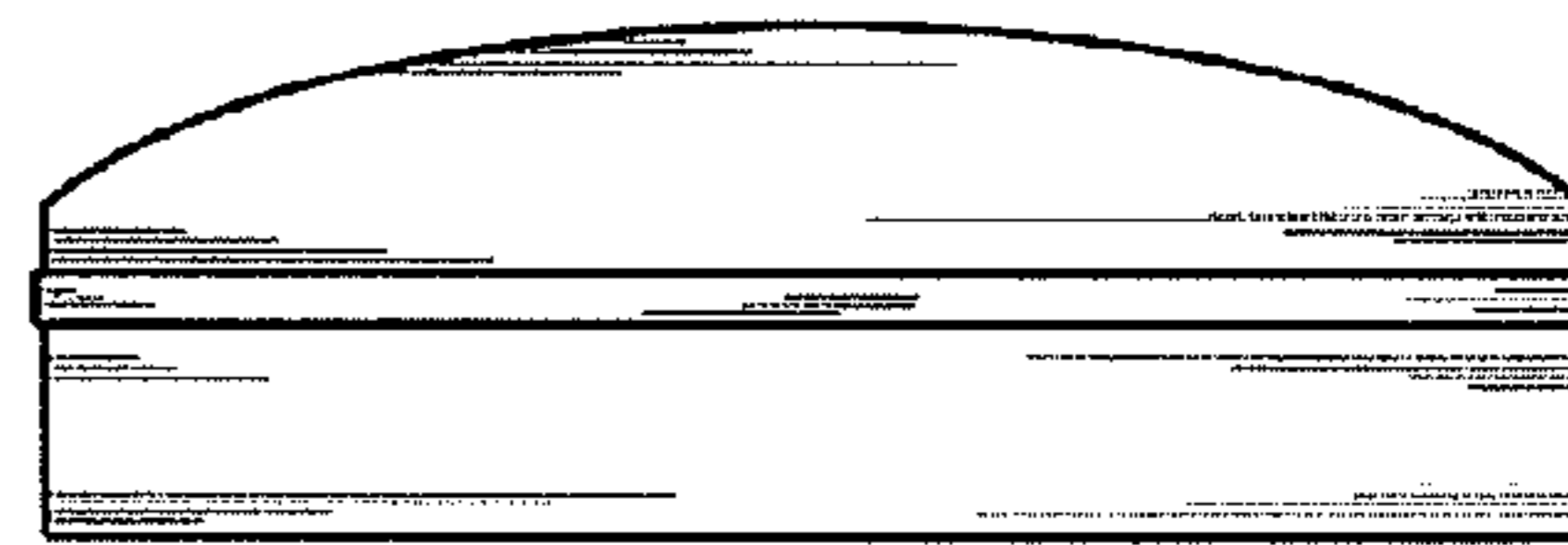


FIG. 4

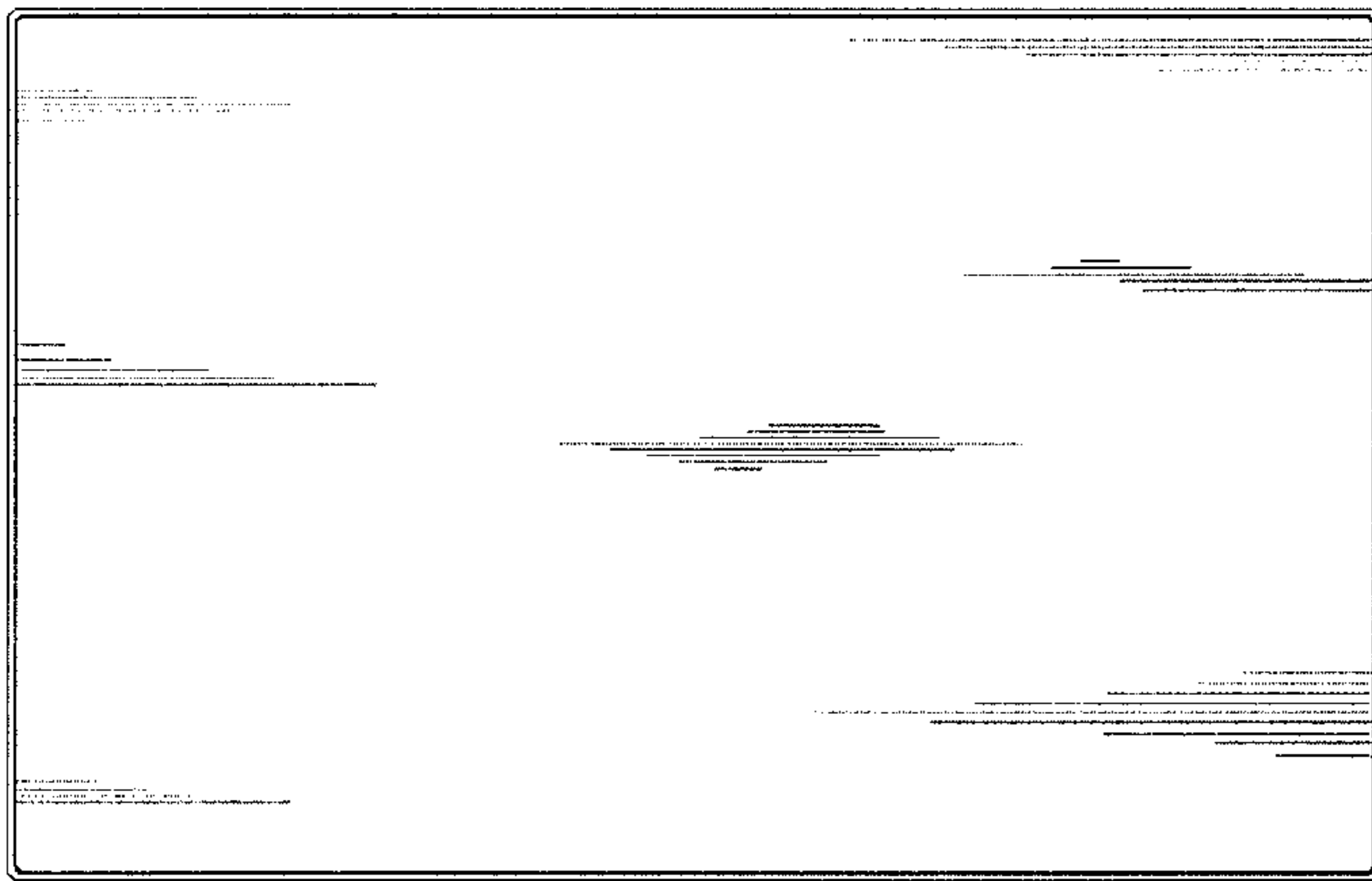


FIG. 6

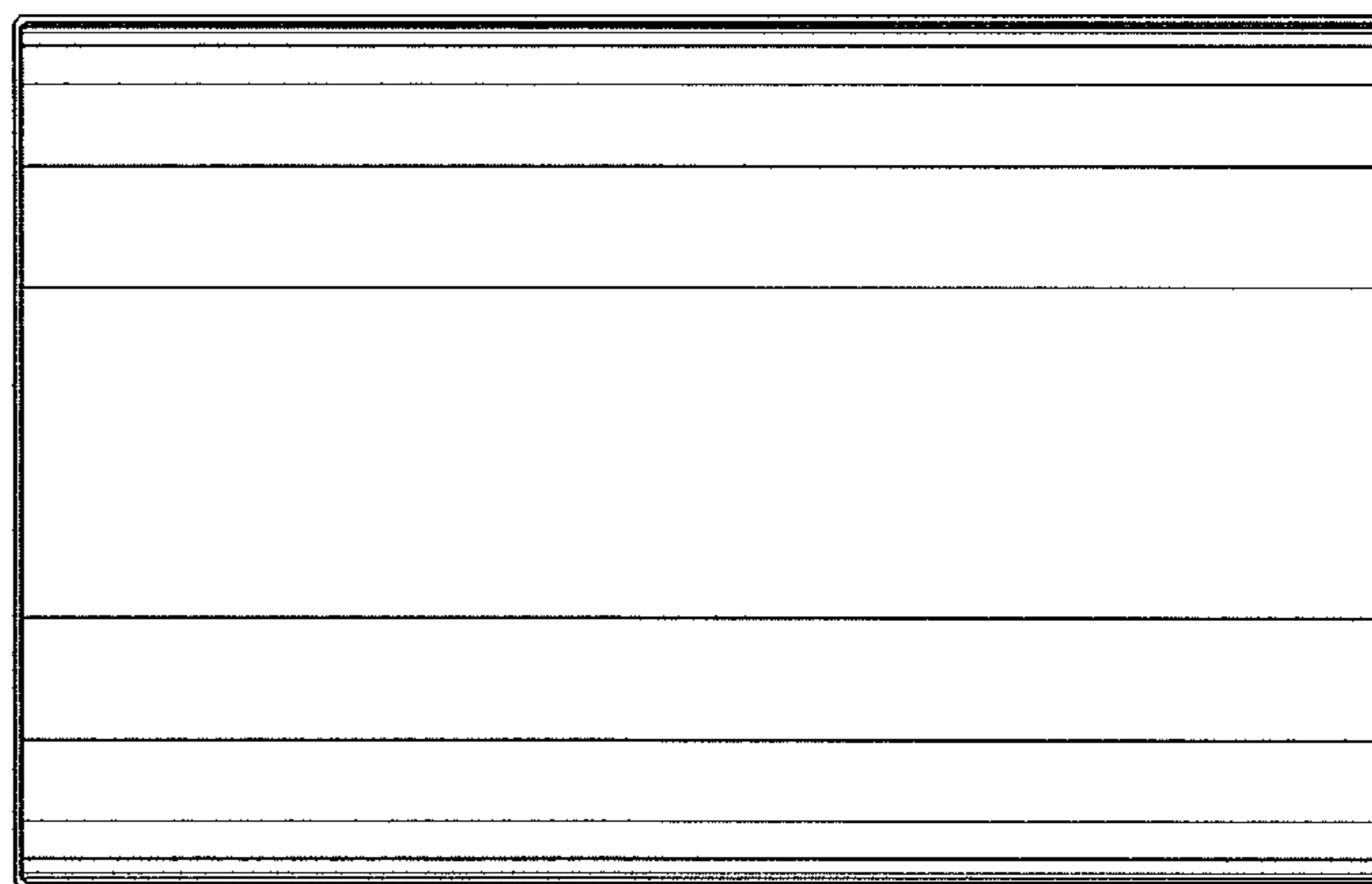


FIG. 7