



US00D557597S

(12) **United States Design Patent** (10) **Patent No.:** **US D557,597 S**  
**Mehrotra** (45) **Date of Patent:** **\*\* Dec. 18, 2007**

(54) **PANEL TRACK**

(75) Inventor: **Amul Mehrotra**, Uttar Pradesh (IN)

(73) Assignee: **Kenney Manufacturing Company**,  
Warwick, RI (US)

(\*\*) Term: **14 Years**

(21) Appl. No.: **29/249,369**

(22) Filed: **Oct. 4, 2006**

(51) **LOC (8) Cl.** ..... **08-05**

(52) **U.S. Cl.** ..... **D8/377**

(58) **Field of Classification Search** ..... D8/377;  
D3/260; D6/515-581; D12/220; D13/155;  
160/11, 89, 126, 345, 390; 4/506; 52/169.4;  
D20/44; 54/66; 187/834; 410/89

See application file for complete search history.

(56) **References Cited**

**U.S. PATENT DOCUMENTS**

376,563	A *	1/1888	Nixon	.....	54/66
443,981	A *	12/1890	Braren	.....	160/390
2,636,556	A *	4/1953	Lia et al.	.....	160/11
3,095,830	A *	7/1963	Runken	.....	410/89
4,355,677	A *	10/1982	Madsen	.....	160/126
4,546,809	A *	10/1985	Hadfield	.....	160/126
4,881,588	A *	11/1989	Madsen	.....	160/345
5,060,763	A *	10/1991	Garrido et al.	.....	187/334
5,577,360	A *	11/1996	Gibbs	.....	52/518
D399,693	S *	10/1998	Vreeland et al.	.....	D6/580
5,937,927	A *	8/1999	Keith	.....	160/89
6,125,909	A *	10/2000	Walker et al.	.....	160/345
D439,460	S *	3/2001	Peterson	.....	D6/580

6,223,389	B1 *	5/2001	Walsh et al.	.....	16/87.4 R
6,393,772	B1 *	5/2002	McRoberts et al.	.....	52/64
2004/0149400	A1 *	8/2004	Nakamura et al.	....	160/168.1 V

**OTHER PUBLICATIONS**

Hasta Product Catalog, 2003, pp. 16 and 17.

\* cited by examiner

*Primary Examiner*—T. Chase Nelson

*Assistant Examiner*—Barbara Blanton Lohr

(74) *Attorney, Agent, or Firm*—Barlow, Josephs & Holmes, Ltd

(57) **CLAIM**

The ornamental design for a panel track, as shown and described.

**DESCRIPTION**

FIG. 1 is a front perspective view of the panel track in accordance with the present invention;

FIG. 2 is a top perspective view thereof;

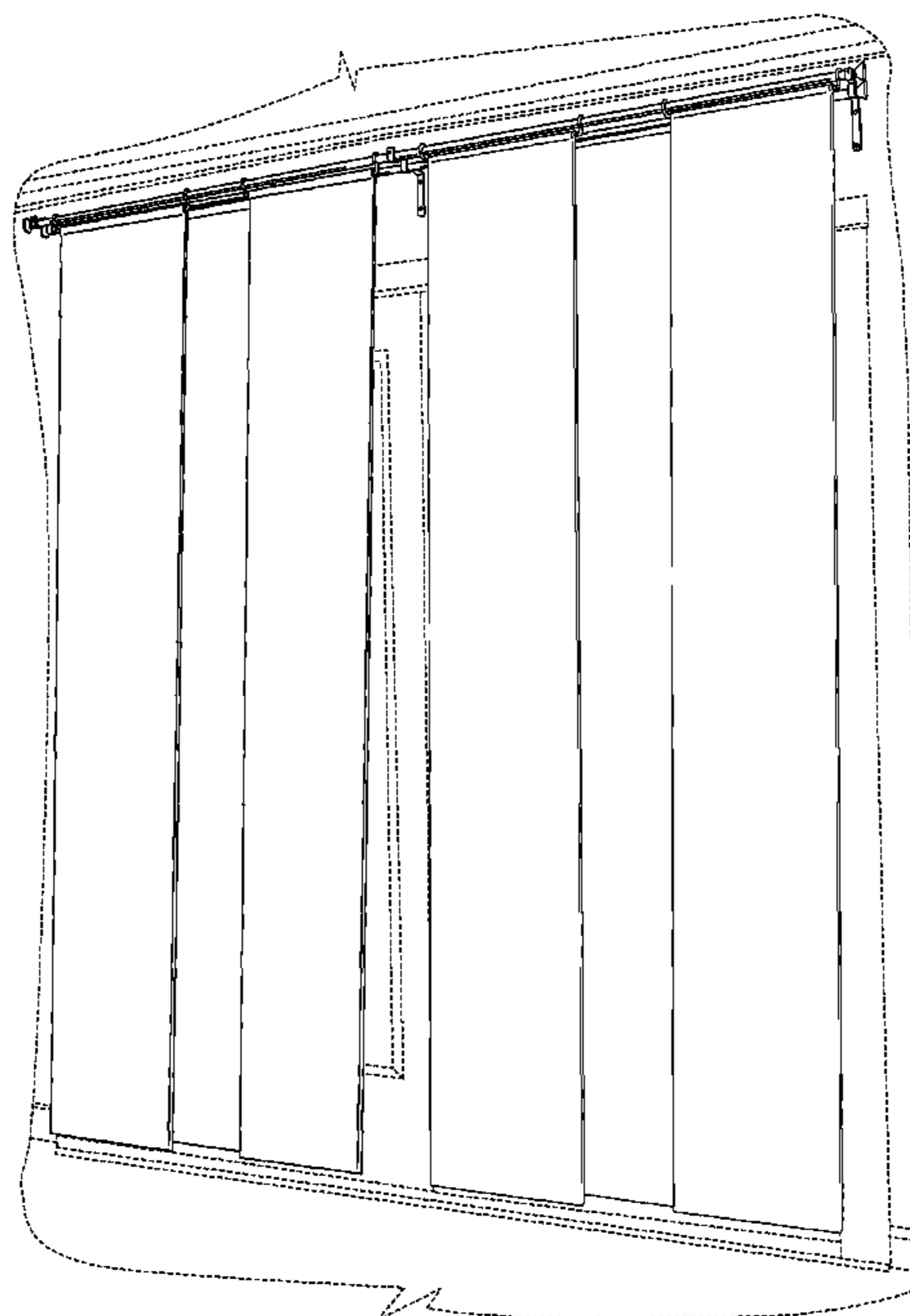
FIG. 3 is a close-up top perspective view of the rod ends of the panel track

FIG. 4 is a front view thereof; and,

FIG. 5 is a left side view thereof, it being understood the right side view being the mirror image thereof.

The broken lines depicting boundaries, points at which partial view are taken, and environmental structure that are shown in the drawings are for illustrative purposes only and form no part of the claimed design.

**1 Claim, 5 Drawing Sheets**



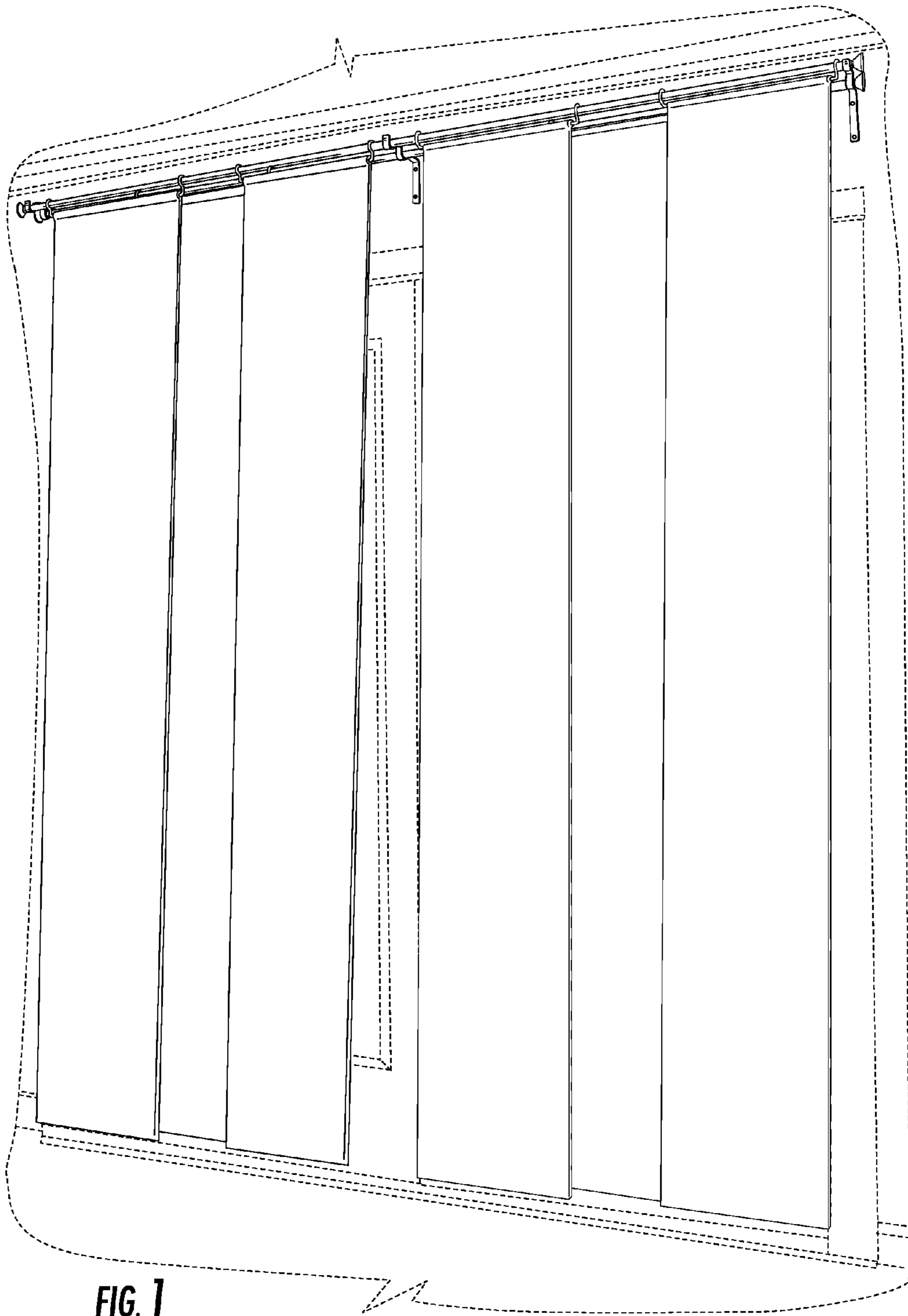


FIG. 1

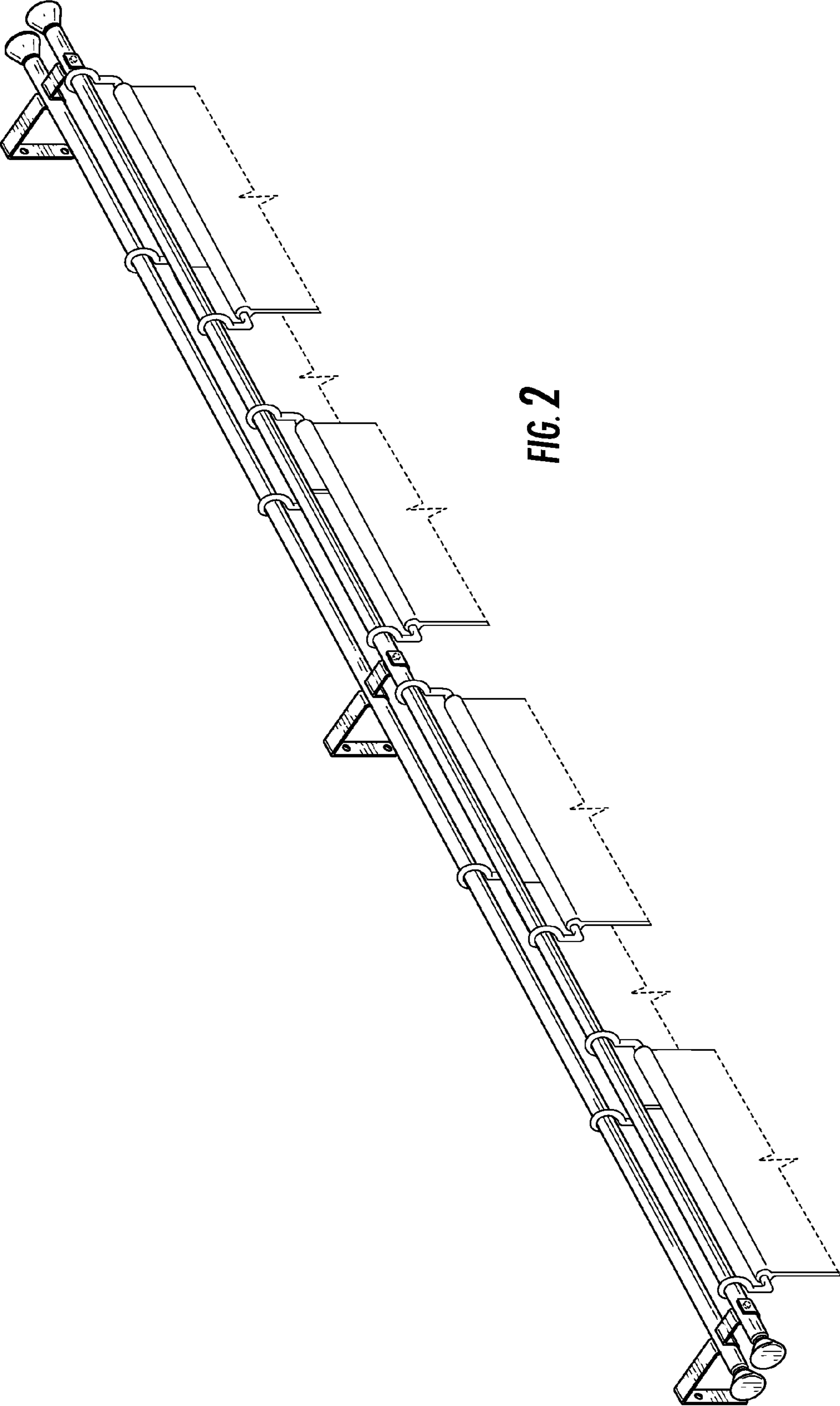


FIG. 2

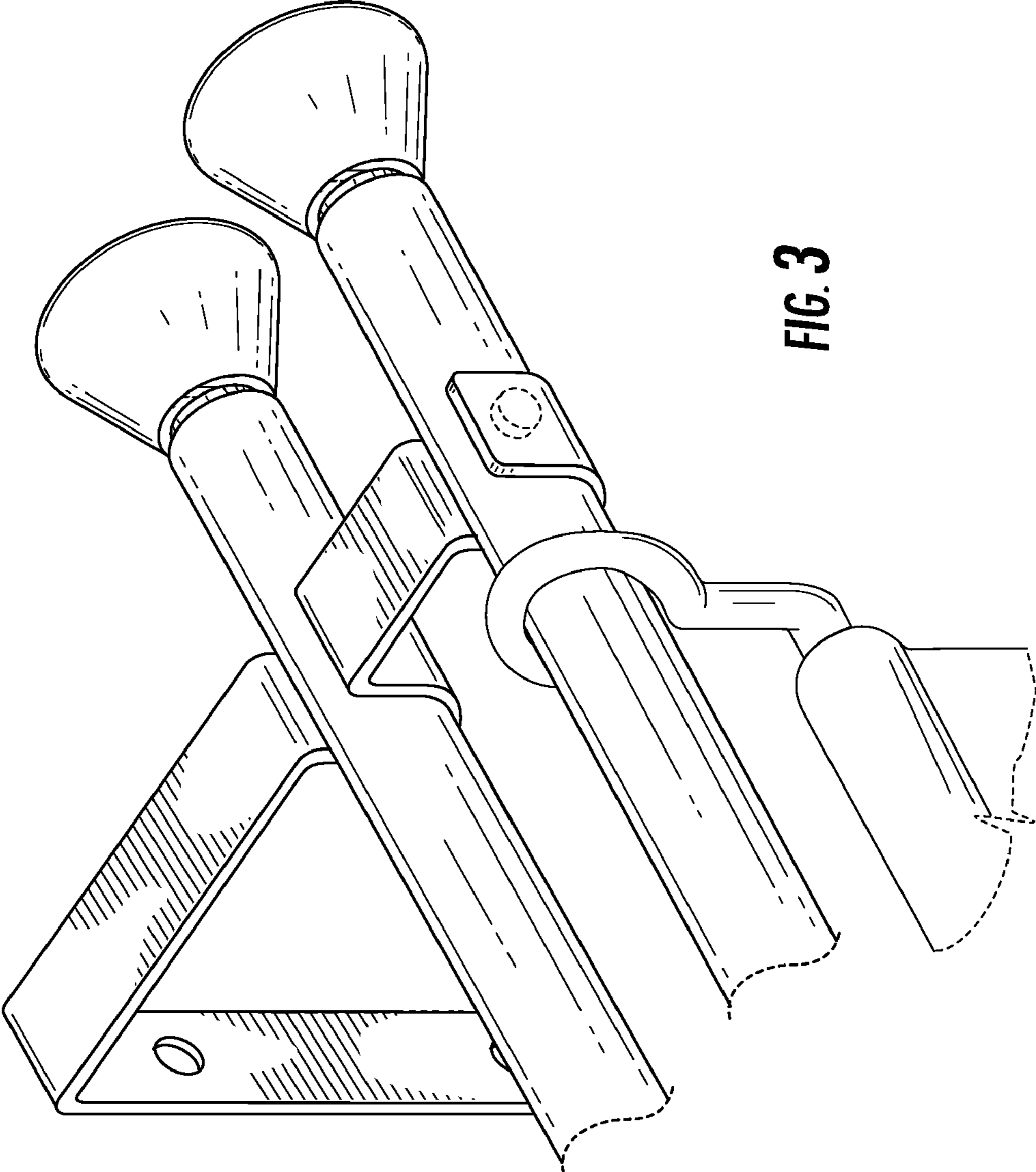
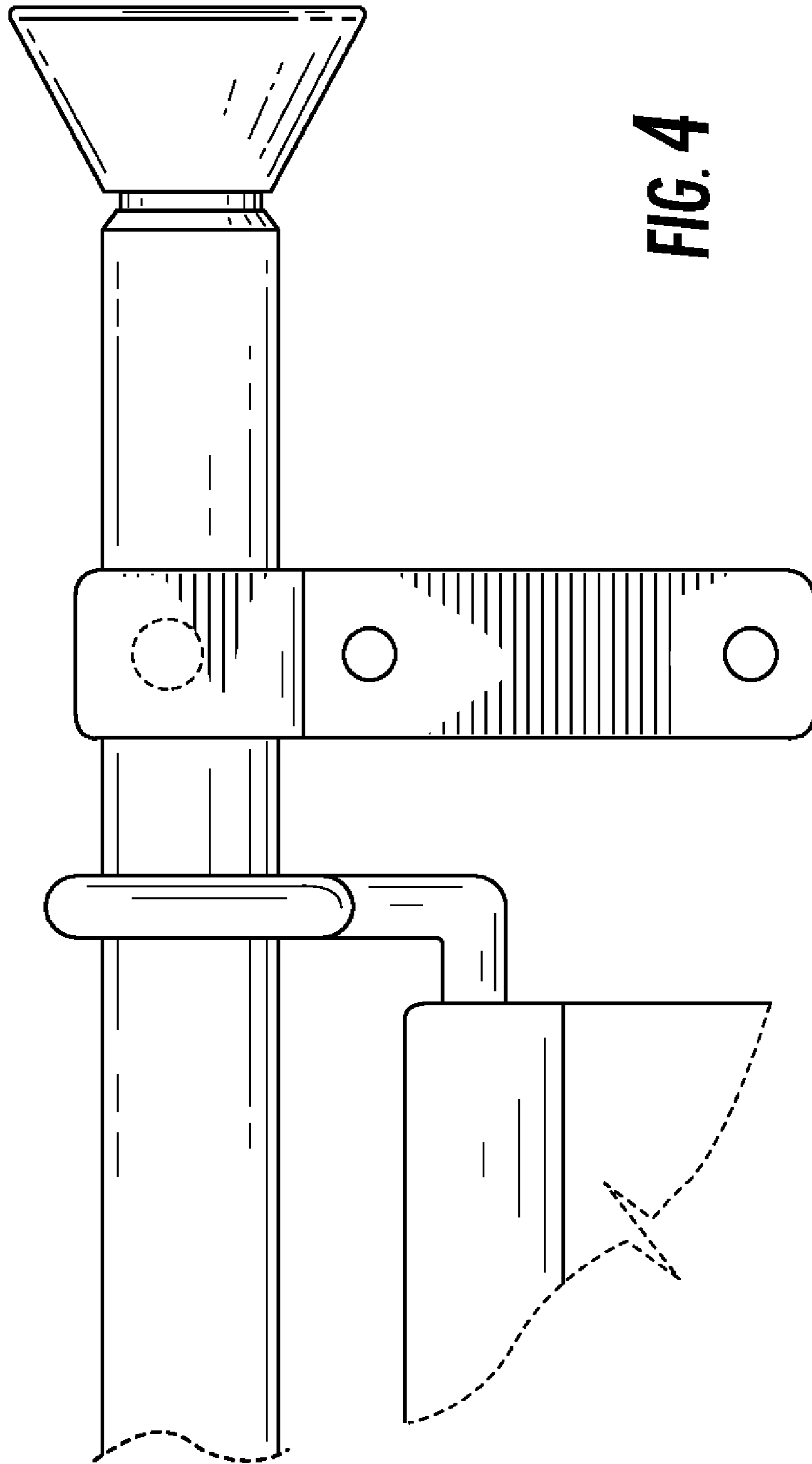


FIG. 3



**FIG. 4**

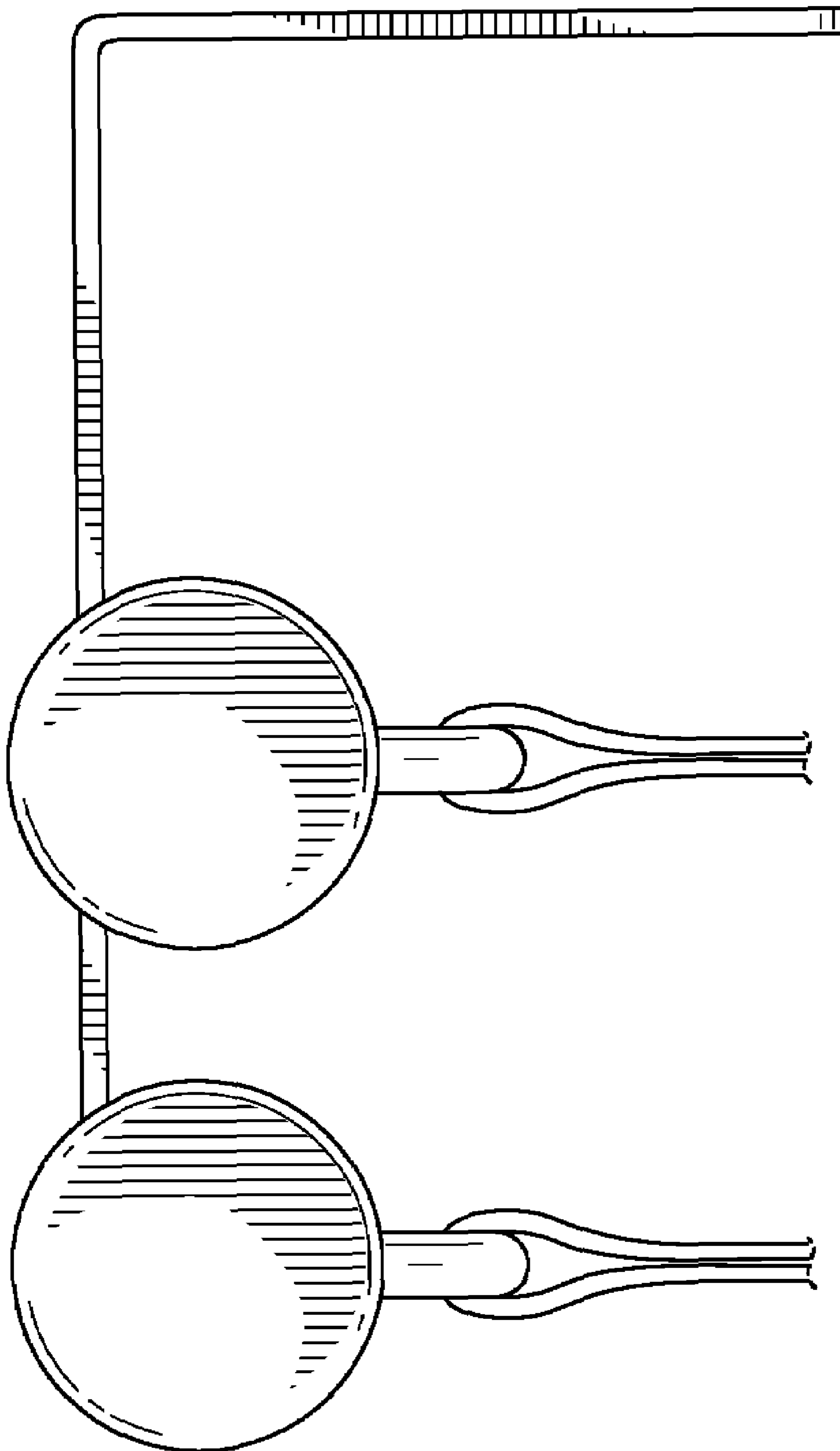


FIG. 5