



US00D557594S

(12) **United States Design Patent**
Whipple

(10) **Patent No.:** **US D557,594 S**

(45) **Date of Patent:** **** Dec. 18, 2007**

(54) **TRAPEZE HANGER**

(74) *Attorney, Agent, or Firm*—Hoffmann & Baron, LLP

(75) Inventor: **Charles E. Whipple**, Collierville, TN
(US)

(57) **CLAIM**

(73) Assignee: **Thomas & Betts International, Inc.**,
Wilmington, DE (US)

The ornamental design for a trapeze hanger, as shown and described.

(**) Term: **14 Years**

DESCRIPTION

(21) Appl. No.: **29/261,643**

(22) Filed: **Jun. 16, 2006**

(51) **LOC (8) Cl.** **08-05**

(52) **U.S. Cl.** **D8/373**

(58) **Field of Classification Search** D8/373;
411/151, 539; 248/324

See application file for complete search history.

FIG. 1 is a top perspective view of an assembled trapeze hanger in a closed position with one roll pin shown partially inserted;

FIG. 2 is a top perspective view of the trapeze hanger thereof, shown in an open position;

FIG. 3 is a front elevation view of the trapeze hanger of FIG. 1;

FIG. 4 is a rear elevation view of the trapeze hanger of FIG. 1;

FIG. 5 is a top plan view of the trapeze hanger of FIG. 1;

FIG. 6 is a bottom plan view of the trapeze hanger of FIG. 1;

FIG. 7 is a right side elevation view of the trapeze hanger of FIG. 1; and,

FIG. 8 is a left side elevation view of the trapeze hanger of FIG. 1.

(56) **References Cited**

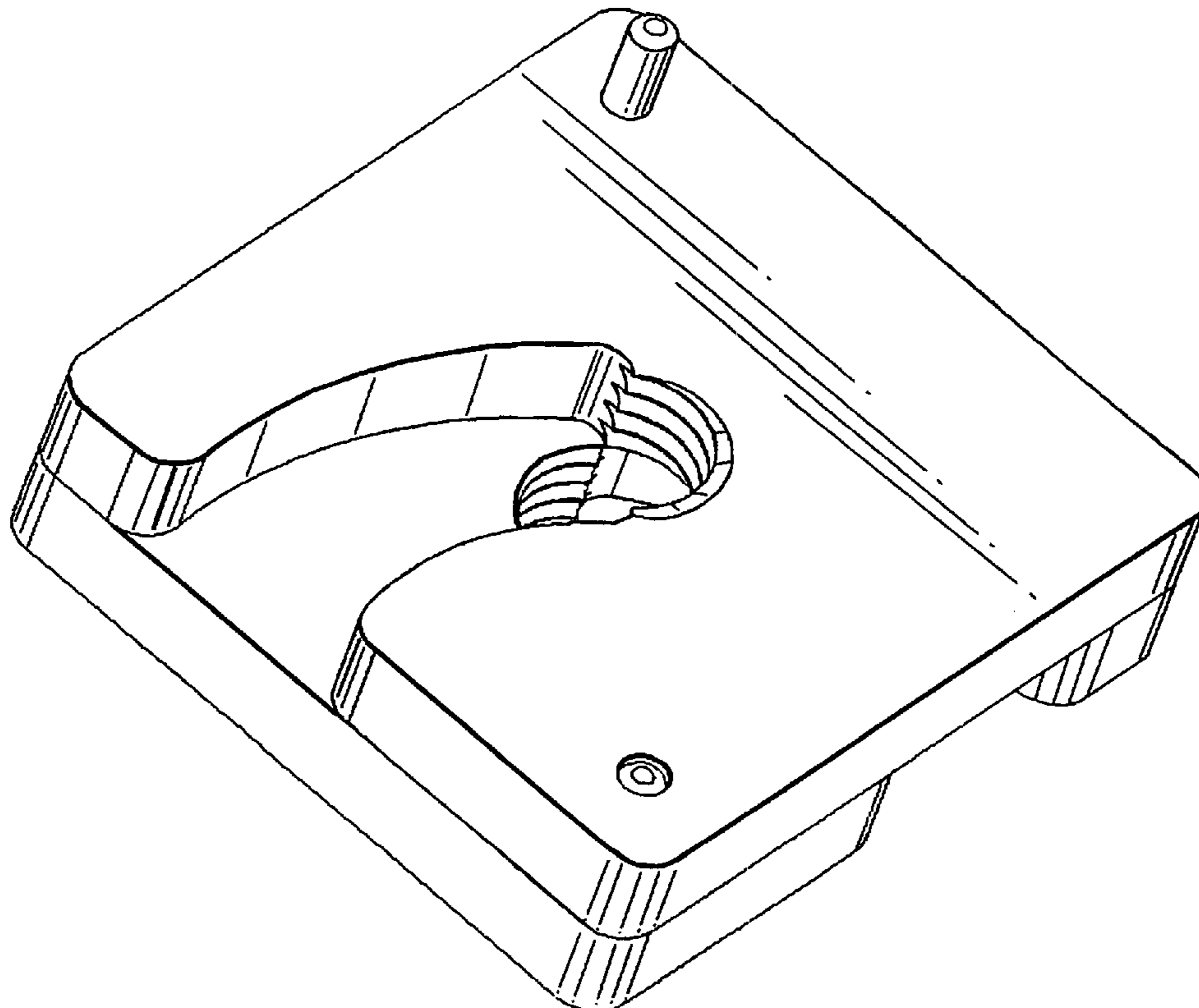
U.S. PATENT DOCUMENTS

5,106,252	A *	4/1992	Shapton	411/539
5,779,418	A *	7/1998	Ying-Che	411/433
6,488,461	B1 *	12/2002	Zacharias et al.	411/539
6,533,516	B2 *	3/2003	Lemelin	411/539
D484,778	S *	1/2004	French	D8/373

* cited by examiner

Primary Examiner—Holly H. Baynham

1 Claim, 5 Drawing Sheets



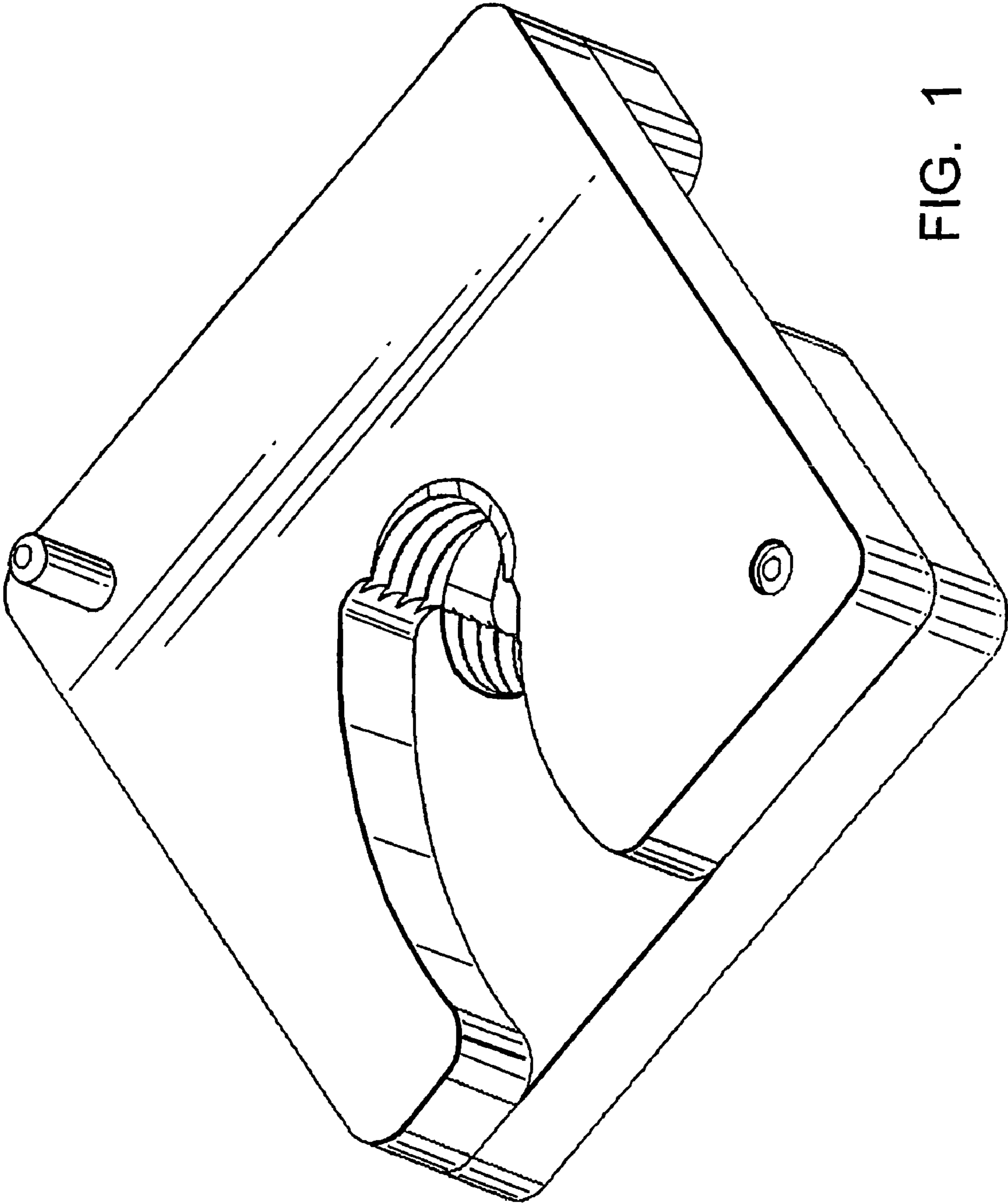


FIG. 1

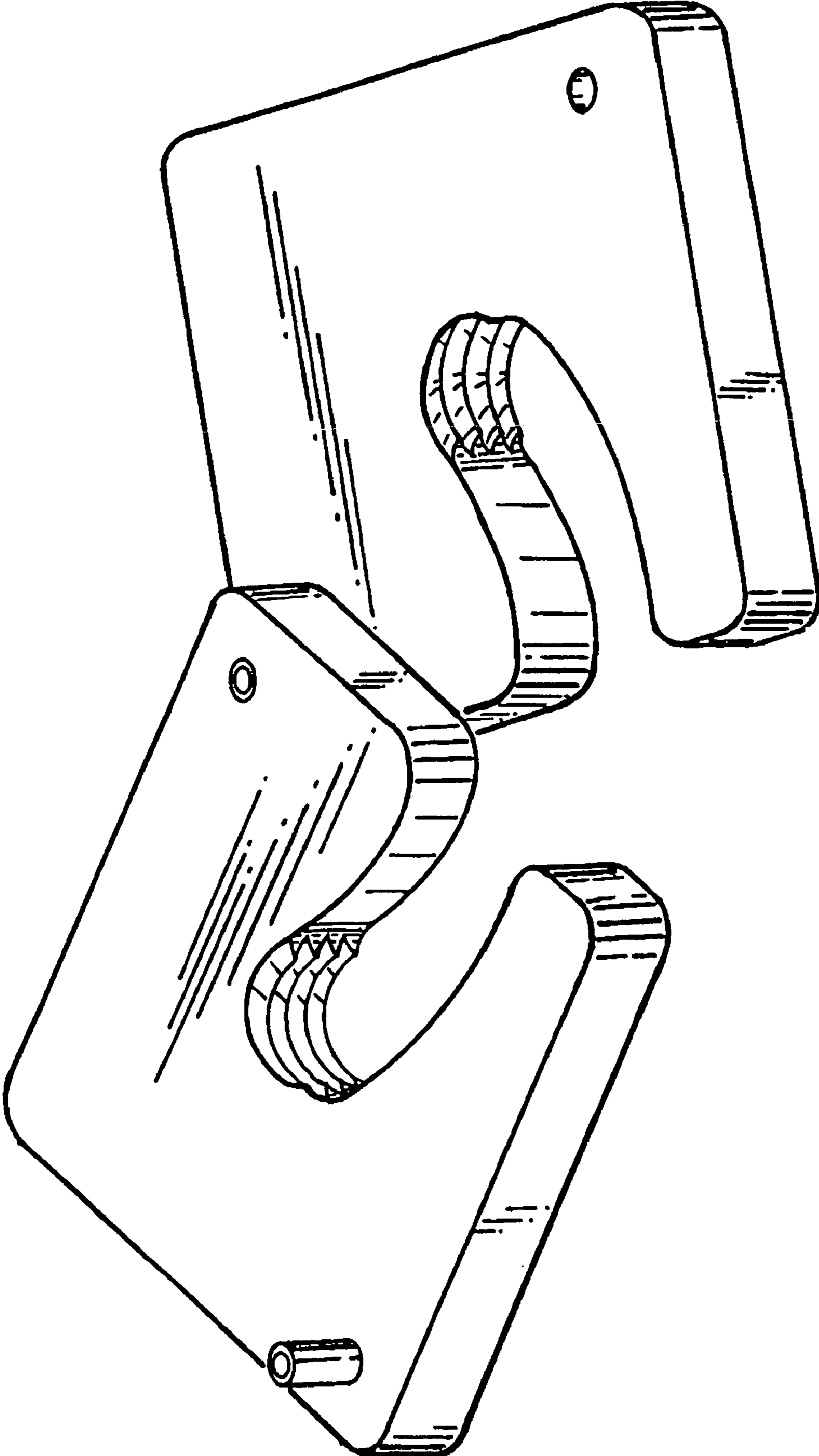


FIG. 2

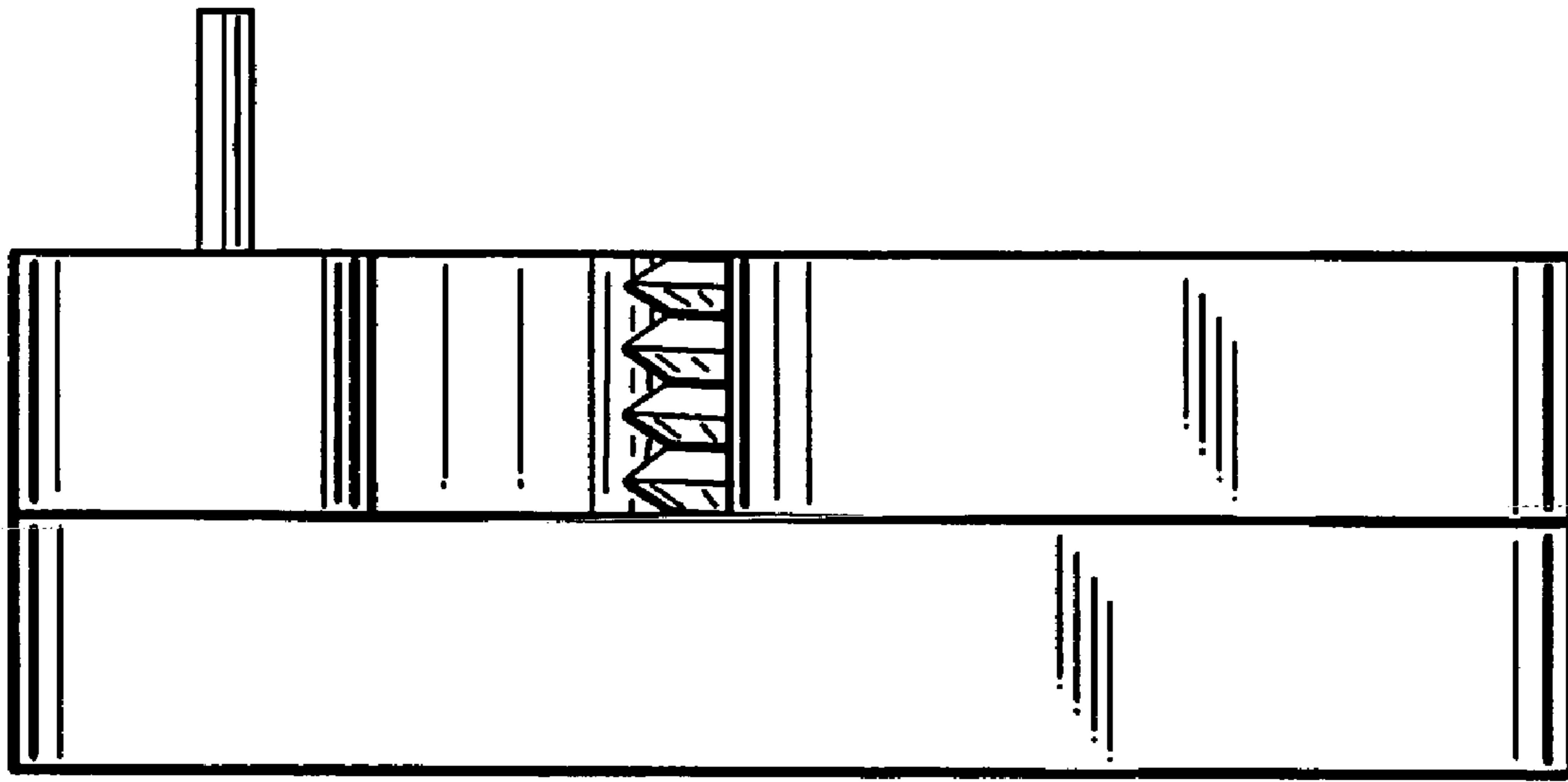


FIG. 3

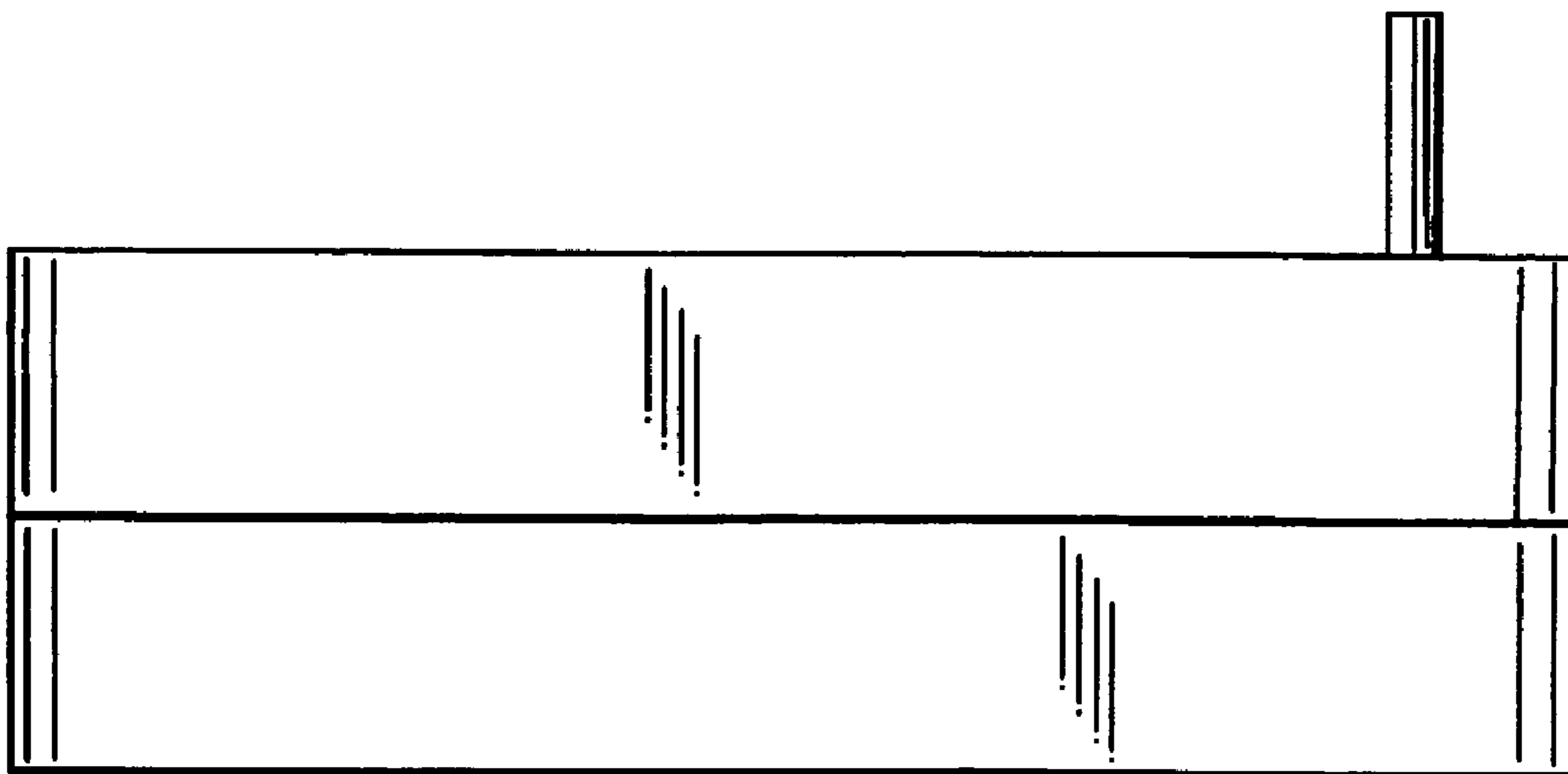


FIG. 4

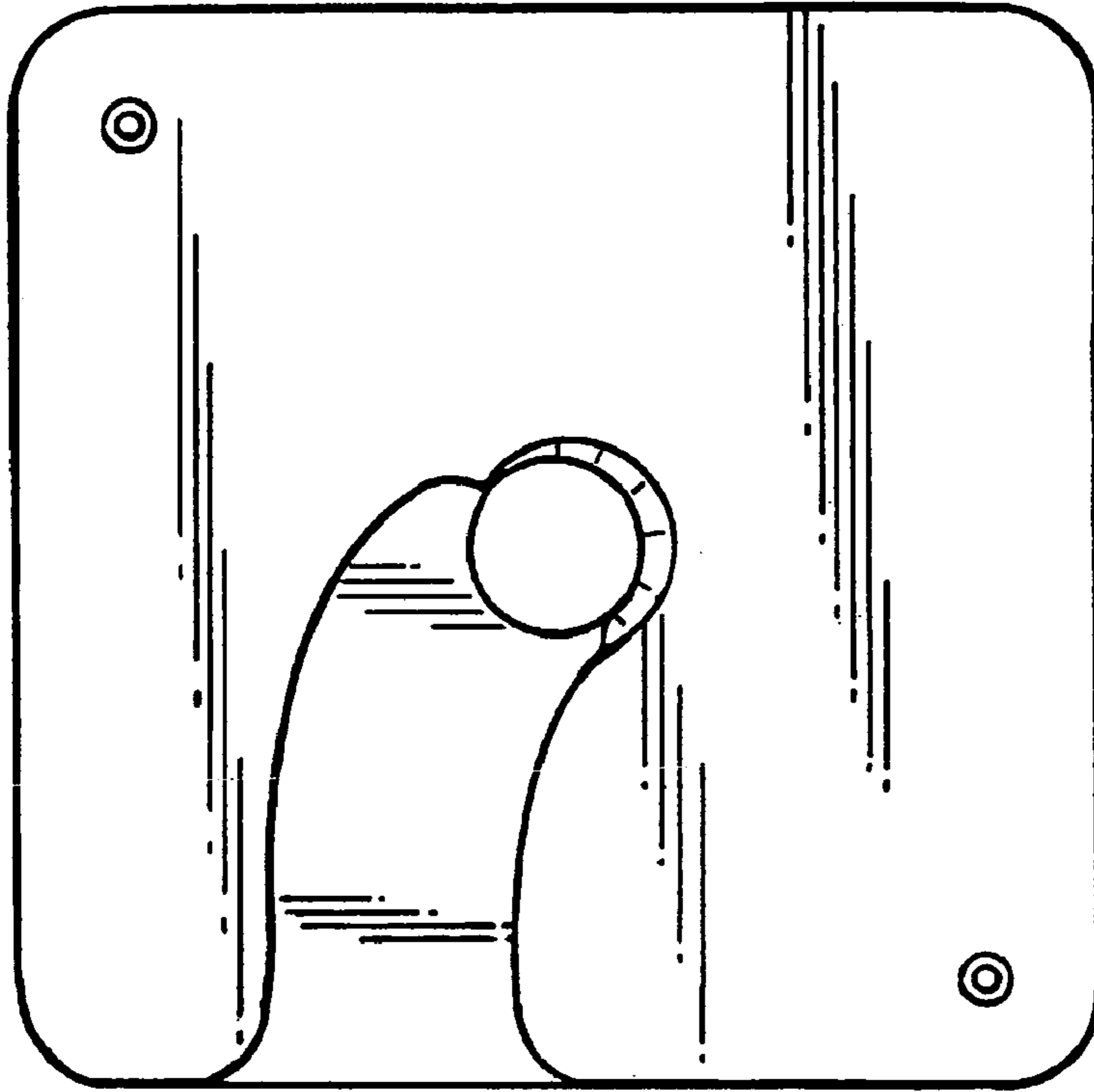


FIG. 5

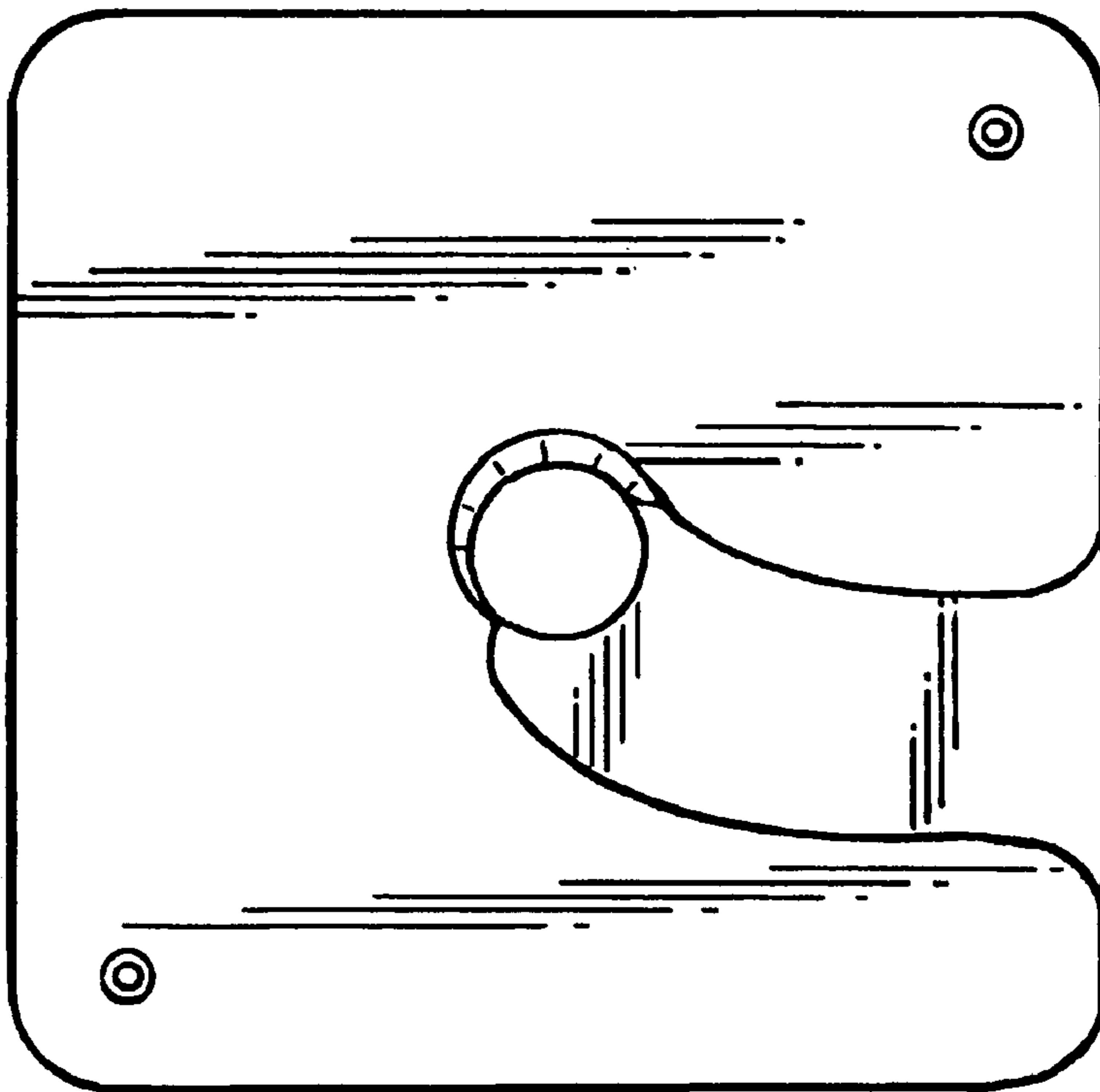


FIG. 6

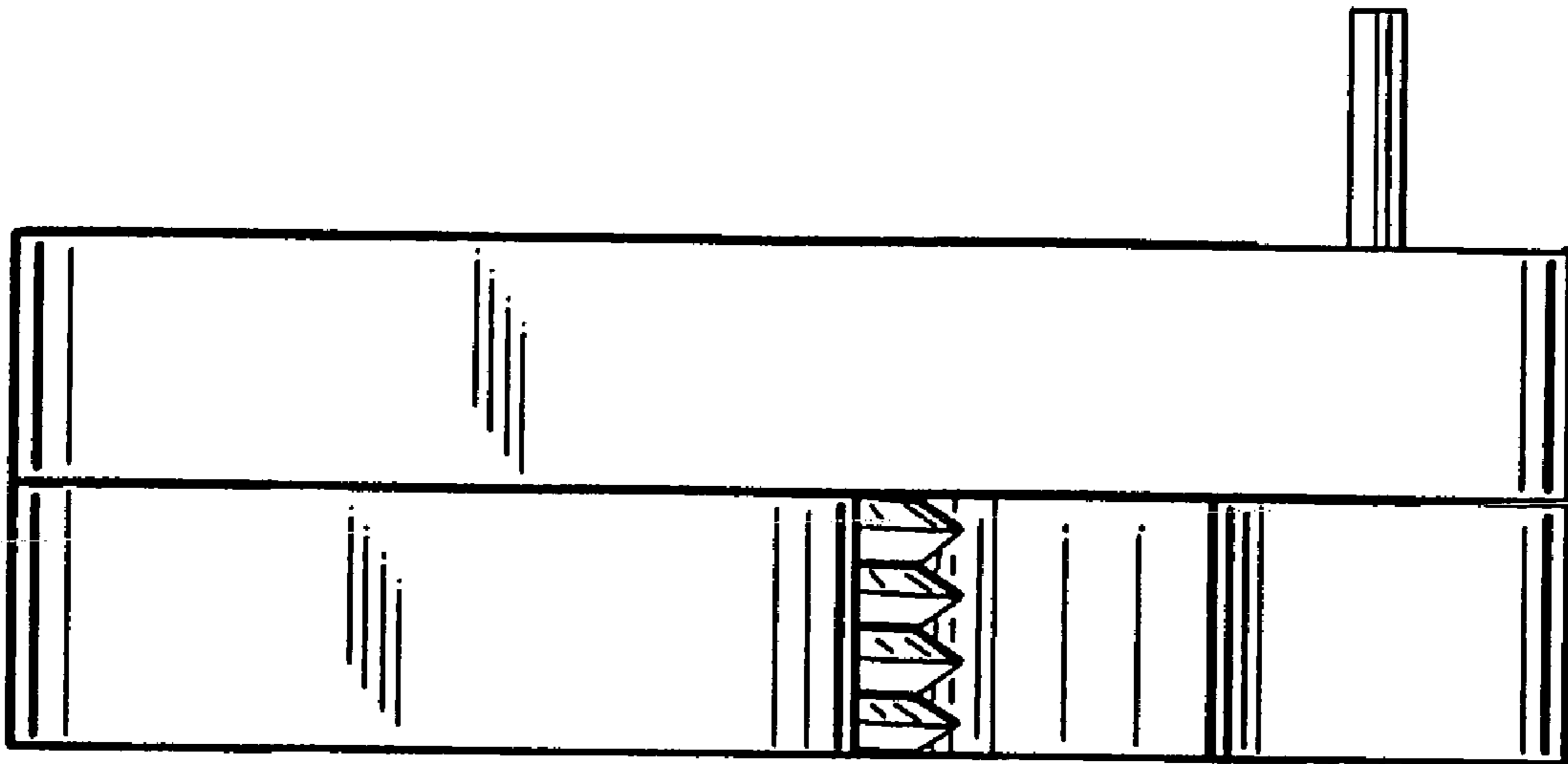


FIG. 7

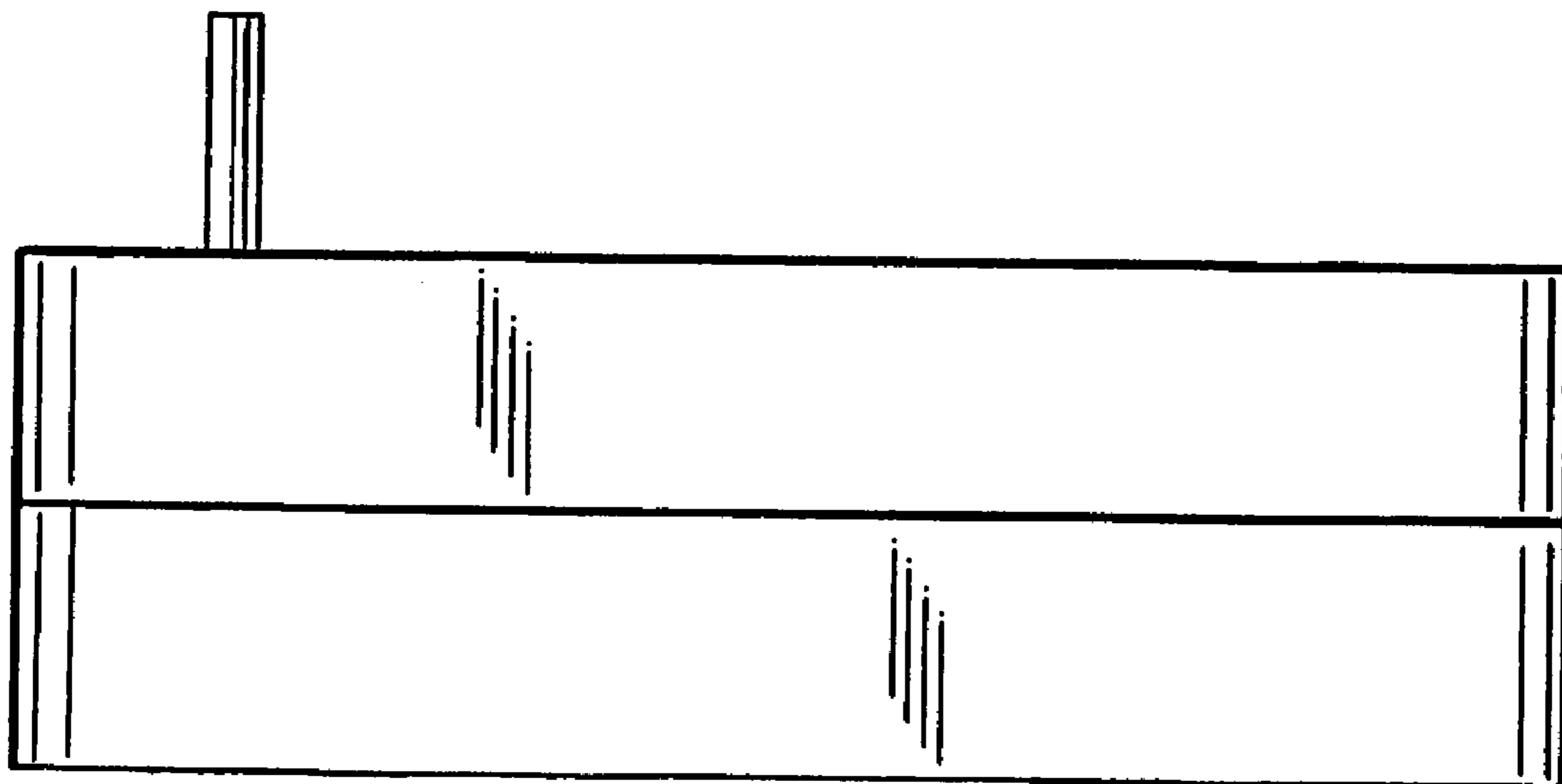


FIG. 8