



US00D557592S

(12) **United States Design Patent**
Frank

(10) **Patent No.:** **US D557,592 S**

(45) **Date of Patent:** **** Dec. 18, 2007**

(54) **CLEVIS FOR REMOVING T-POSTS**

(76) Inventor: **Kerry Frank**, P.O. Box 3021, Valle de Oro, TX (US) 79010

(**) Term: **14 Years**

(21) Appl. No.: **29/261,307**

(22) Filed: **Jun. 13, 2006**

(51) **LOC (8) Cl.** **08-05**

(52) **U.S. Cl.** **D8/367**

(58) **Field of Classification Search** D8/367;
294/82.1, 82.2; 24/599.1, 599.4

See application file for complete search history.

(56) **References Cited**

U.S. PATENT DOCUMENTS

2,709,616	A *	5/1955	Larson et al.	294/82.1
3,319,990	A *	5/1967	Beal	294/74
3,492,033	A *	1/1970	Mueller	403/78
4,122,585	A *	10/1978	Sharp et al.	294/82.2
4,528,729	A *	7/1985	Schmidt et al.	24/599.4
5,114,260	A *	5/1992	Hart et al.	403/24
5,664,304	A *	9/1997	Tambornino	24/599.1

D445,020	S *	7/2001	Smith et al.	D8/367
6,282,879	B1 *	9/2001	Bonaiti et al.	59/86
D482,263	S *	11/2003	Smith et al.	D8/367

* cited by examiner

Primary Examiner—Holly H. Baynham

(74) *Attorney, Agent, or Firm*—Norman Rainer

(57) **CLAIM**

The ornamental design for a clevis for removing t-posts, as shown and described.

DESCRIPTION

FIG. 1 is a side view of a clevis for removing t-post showing my new design;

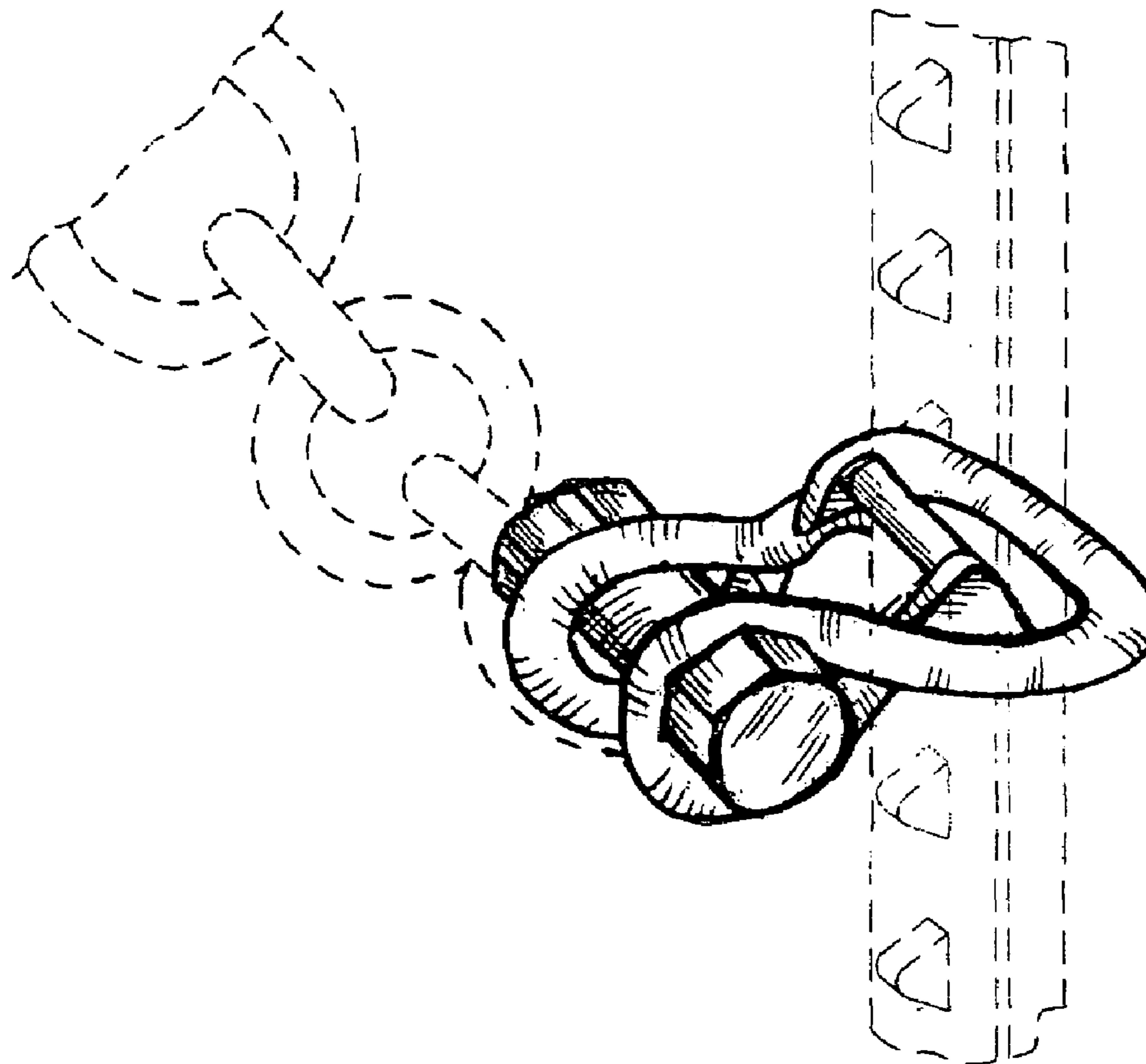
FIG. 2 is a top, side perspective view thereof;

FIG. 3 is a top view thereof; and,

FIG. 4 is a perspective end view thereof taken from the left of FIG. 3.

The broken line showing of a partial chain and post is included for the purpose of illustrating environment and forms no part of the claimed design.

1 Claim, 2 Drawing Sheets



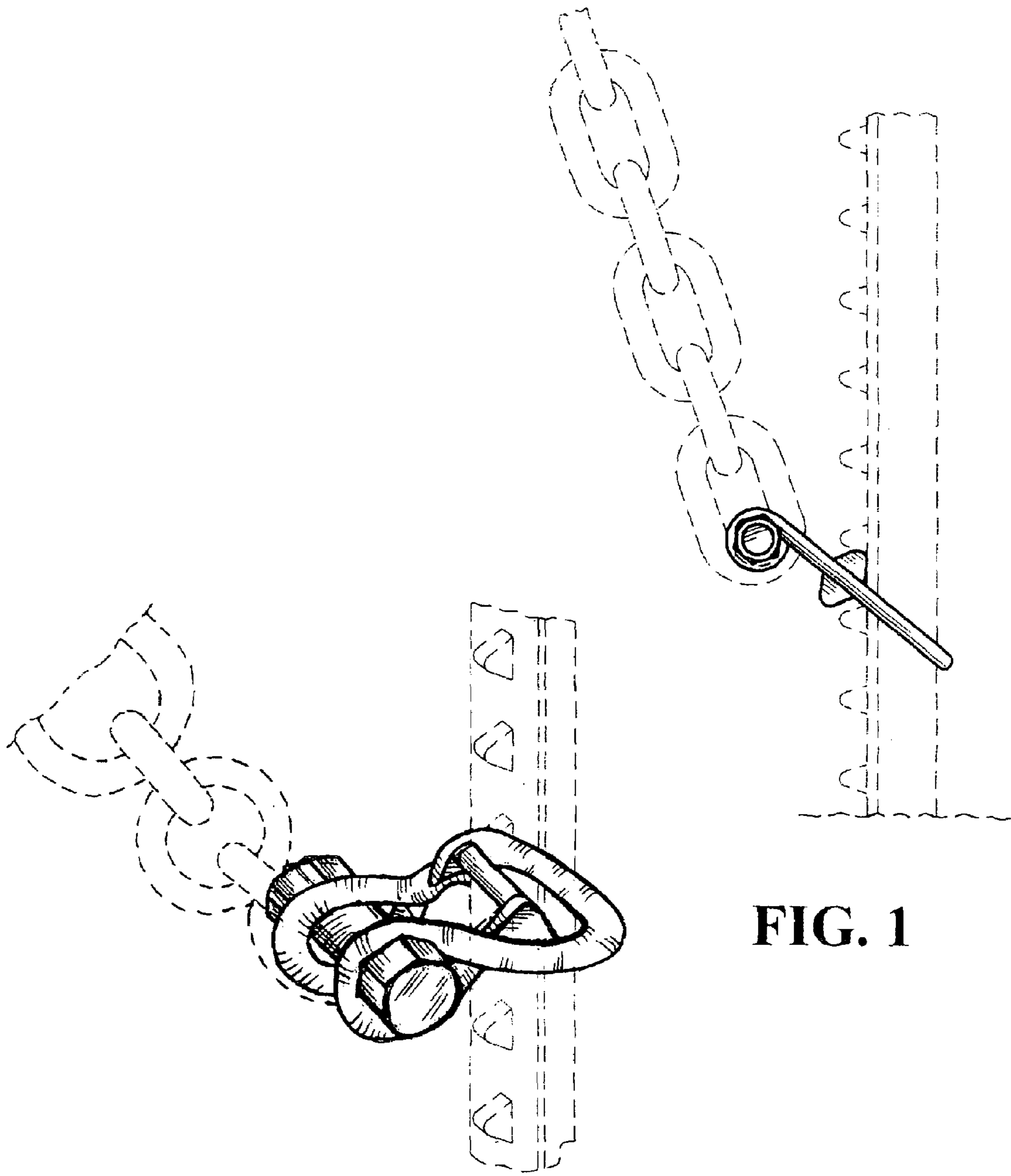


FIG. 1

FIG. 2

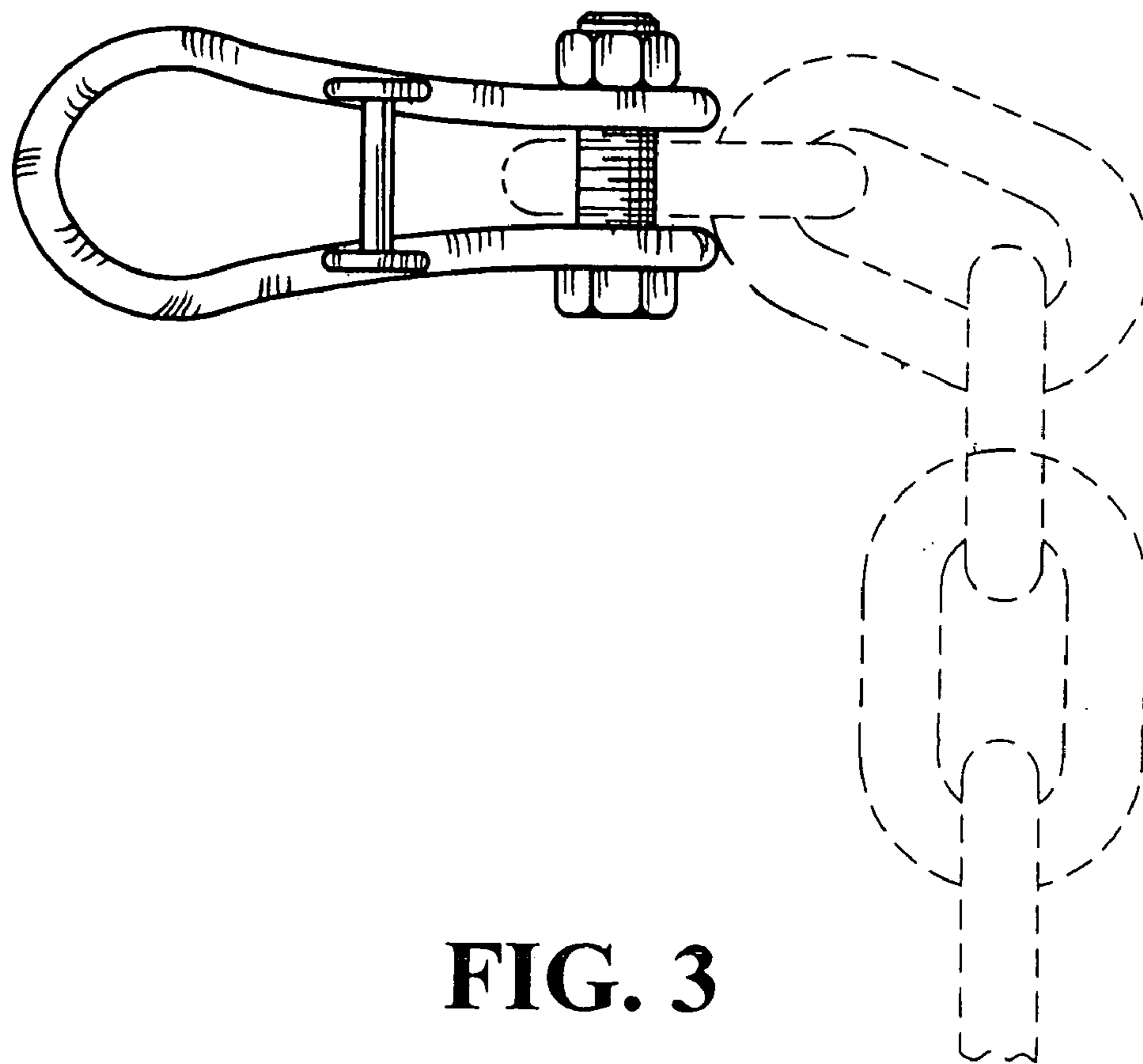


FIG. 3

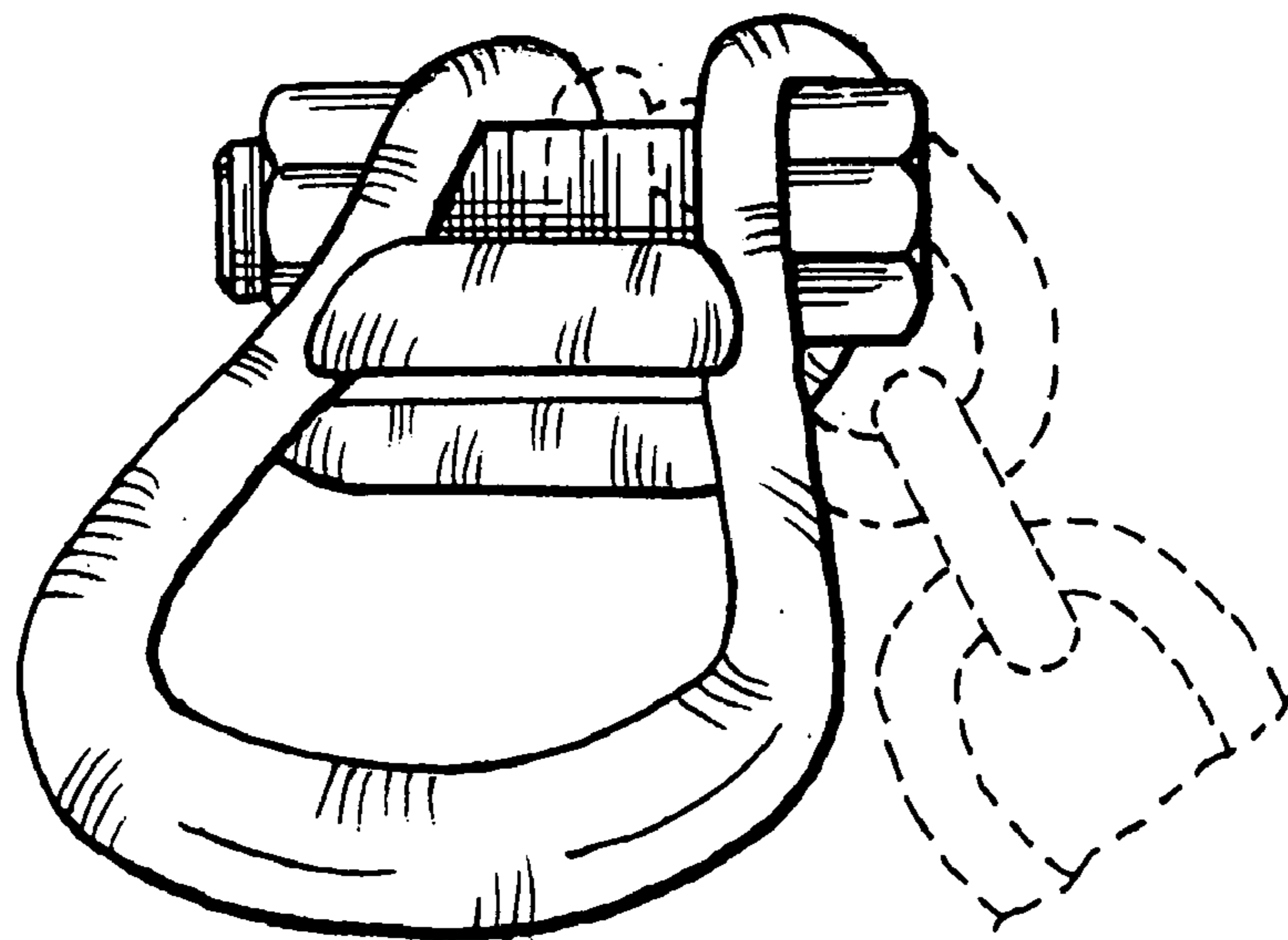


FIG. 4