



US00D557590S

(12) **United States Design Patent**  
**Moore**

(10) **Patent No.:** **US D557,590 S**

(45) **Date of Patent:** **\*\* Dec. 18, 2007**

(54) **SHOWER ROD BRACKET**

(75) Inventor: **Sean A. Moore**, Houston, TX (US)

(73) Assignee: **Shower Solutions, LLC**, Vernon Hills, IL (US)

(\*\*) Term: **14 Years**

(21) Appl. No.: **29/248,598**

(22) Filed: **Aug. 23, 2006**

(51) **LOC (8) Cl.** ..... **08-05**

(52) **U.S. Cl.** ..... **D8/363**

(58) **Field of Classification Search** ..... D8/363,  
D8/373, 355; 248/309.1, 229.11; 211/105.4;  
4/610

See application file for complete search history.

(56) **References Cited**

**U.S. PATENT DOCUMENTS**

839,959 A	1/1907	Richards
912,789 A	2/1909	Berbecker
2,650,714 A	9/1953	Brose et al.
2,890,799 A	6/1959	Rosenbaum
4,496,059 A	1/1985	Leiter
D318,968 S	8/1991	Poulson
D340,376 S	10/1993	Klose
D374,167 S	10/1996	Scholl
D393,390 S	4/1998	Gottwald

6,024,331 A \* 2/2000 Bischoff et al. .... 248/229.1

D426,142 S 6/2000 Moore

6,263,523 B1 7/2001 Moore

D466,351 S 12/2002 Tai

D499,954 S \* 12/2004 Brushaber ..... D8/355

\* cited by examiner

*Primary Examiner*—Holly H. Baynham

(74) *Attorney, Agent, or Firm*—Michael Best & Friedrich LLP

(57) **CLAIM**

I claim the ornamental design for a shower rod bracket, as shown and described.

**DESCRIPTION**

FIG. 1 is an upper perspective view of the shower rod bracket showing my design.

FIG. 2 is a front view thereof;

FIG. 3 is a back view thereof;

FIG. 4 is a side view thereof;

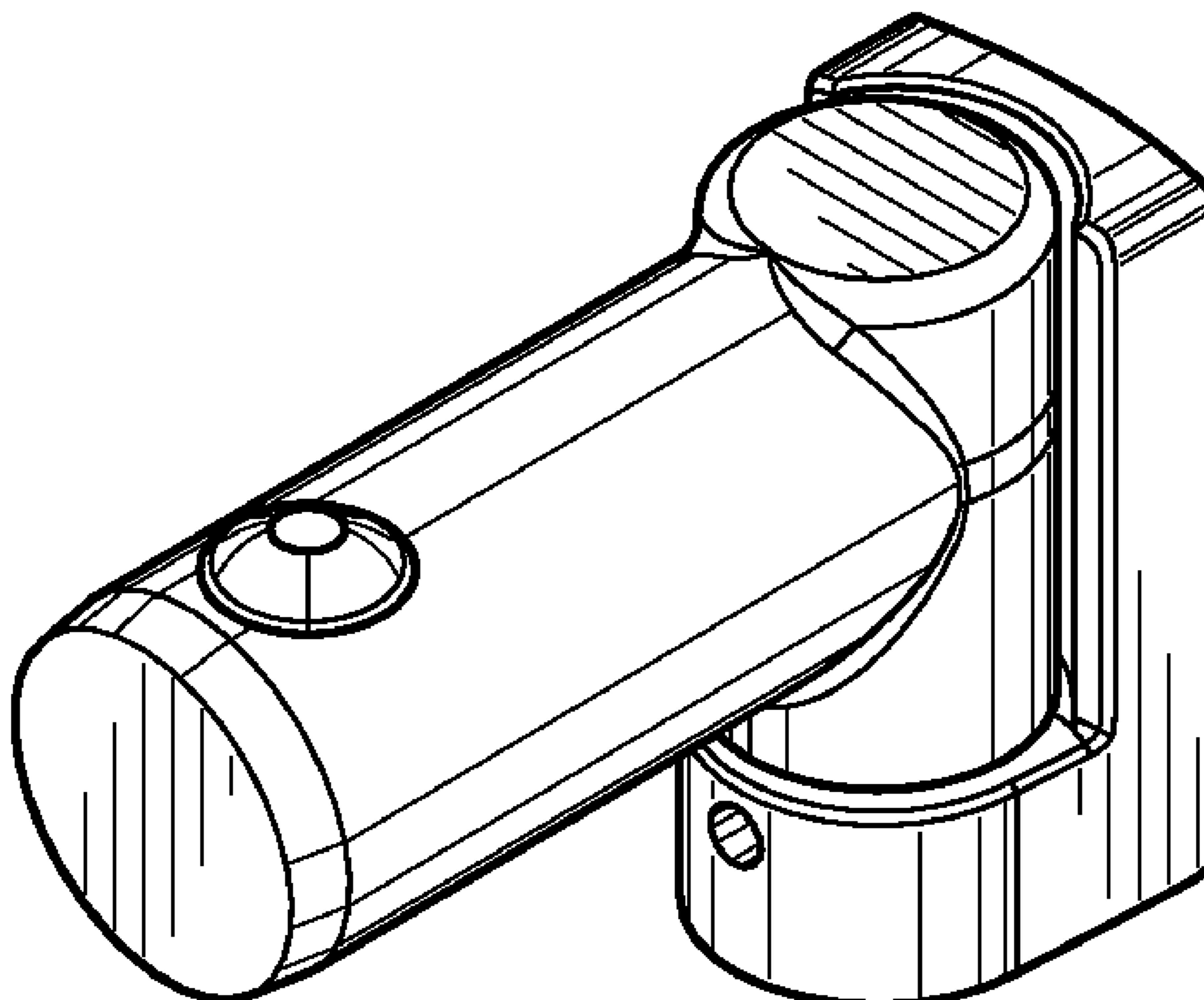
FIG. 5 is an opposite side view thereof;

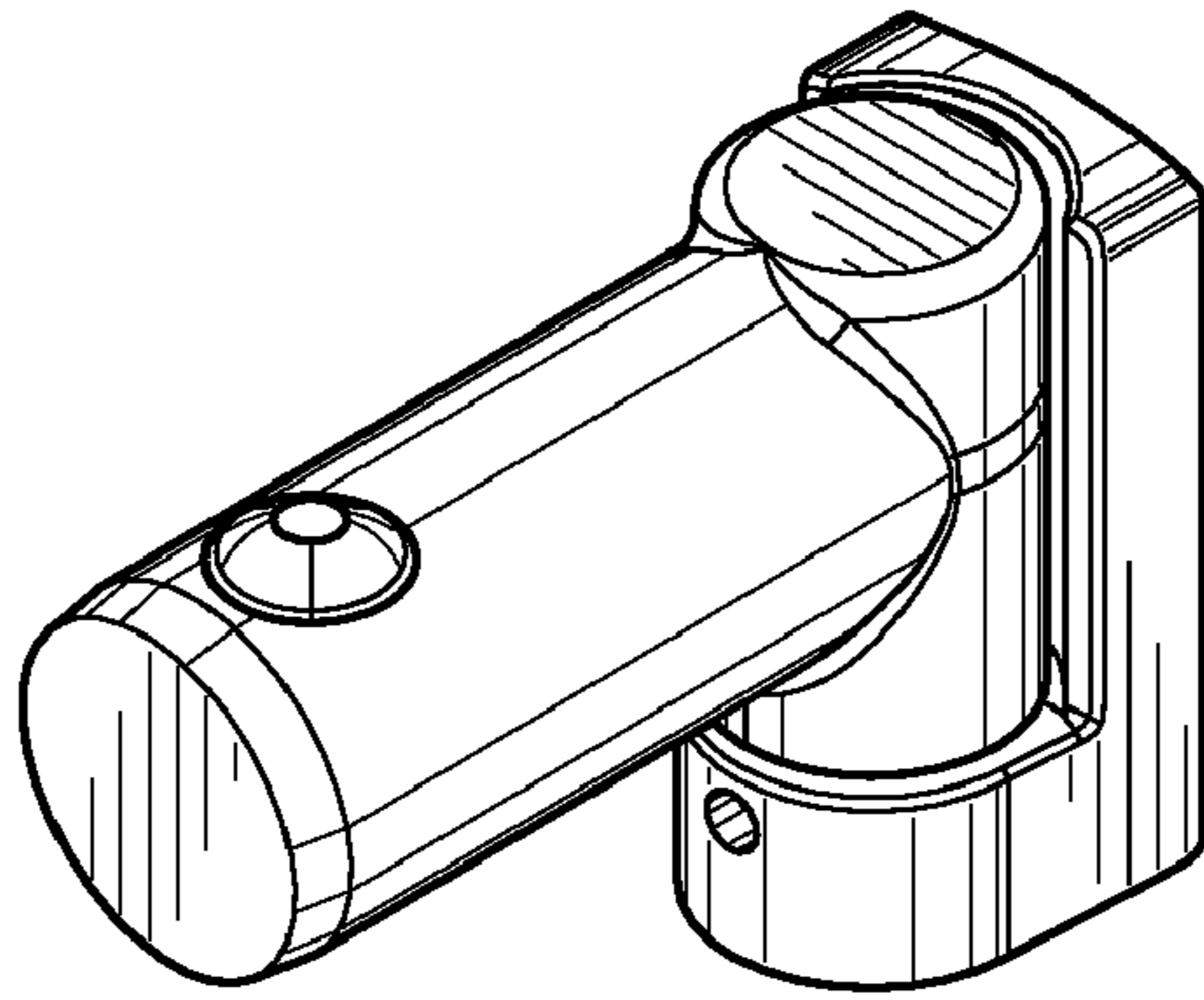
FIG. 6 is a top plan view thereof;

FIG. 7 is a bottom view thereof; and,

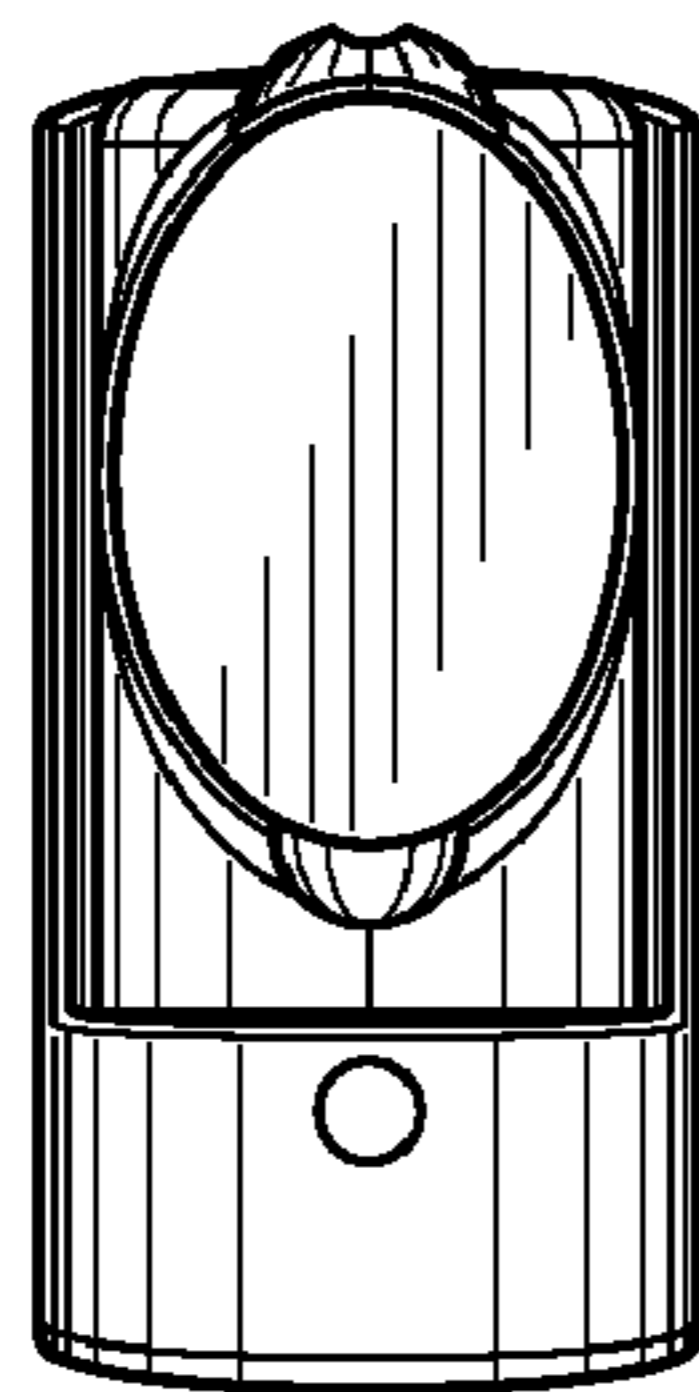
FIG. 8 is an upper perspective view thereof showing the shower rod holding element in an alternate position.

**1 Claim, 2 Drawing Sheets**

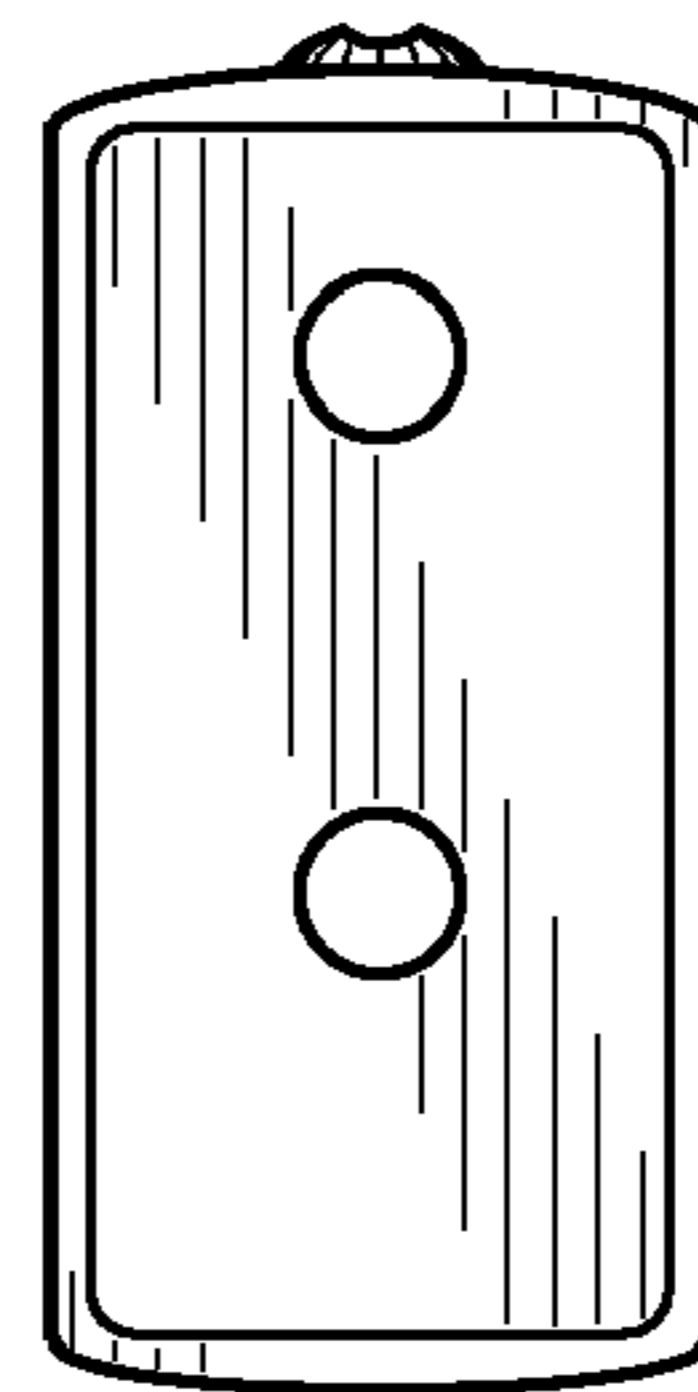




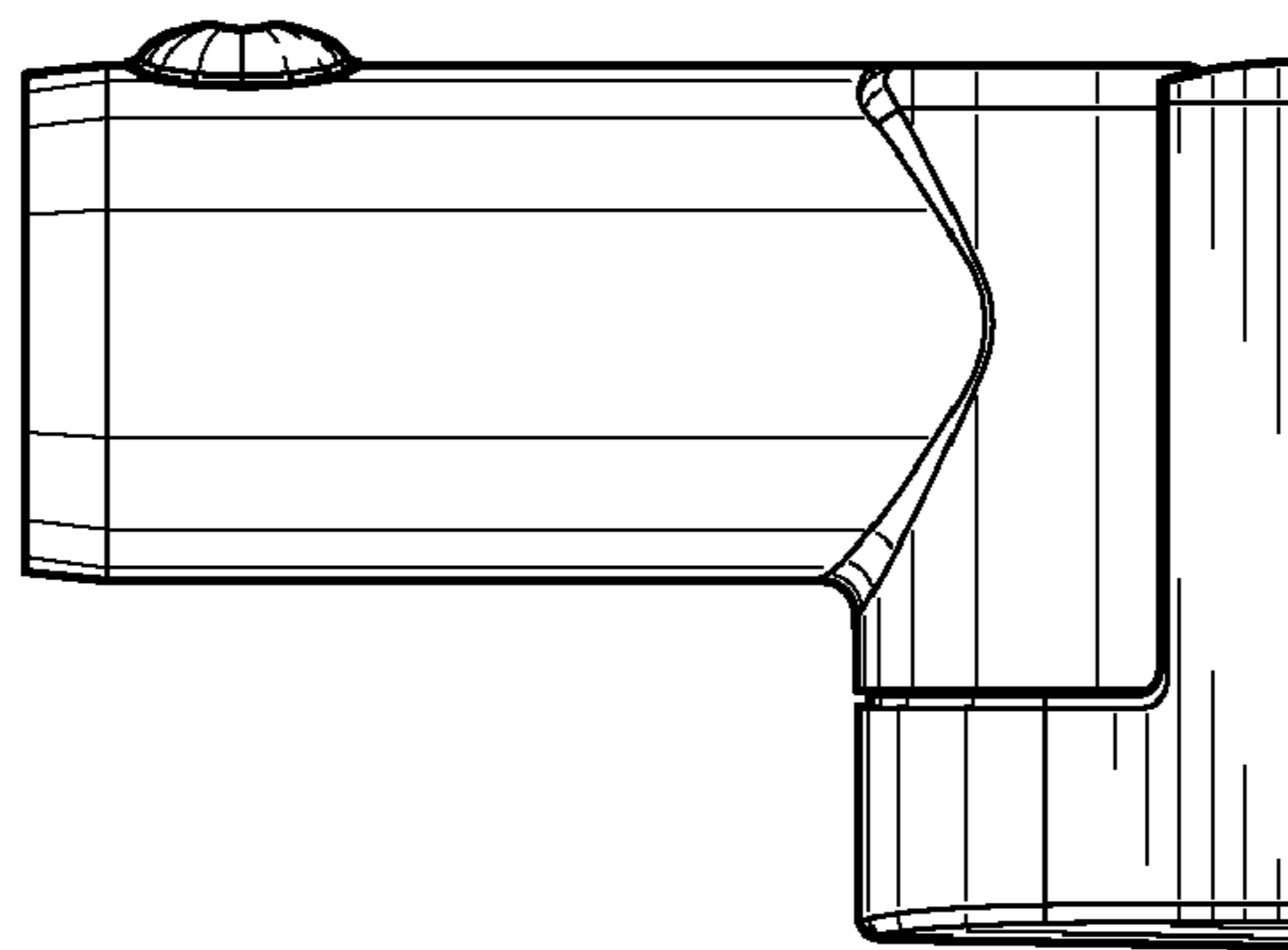
*FIG. 1*



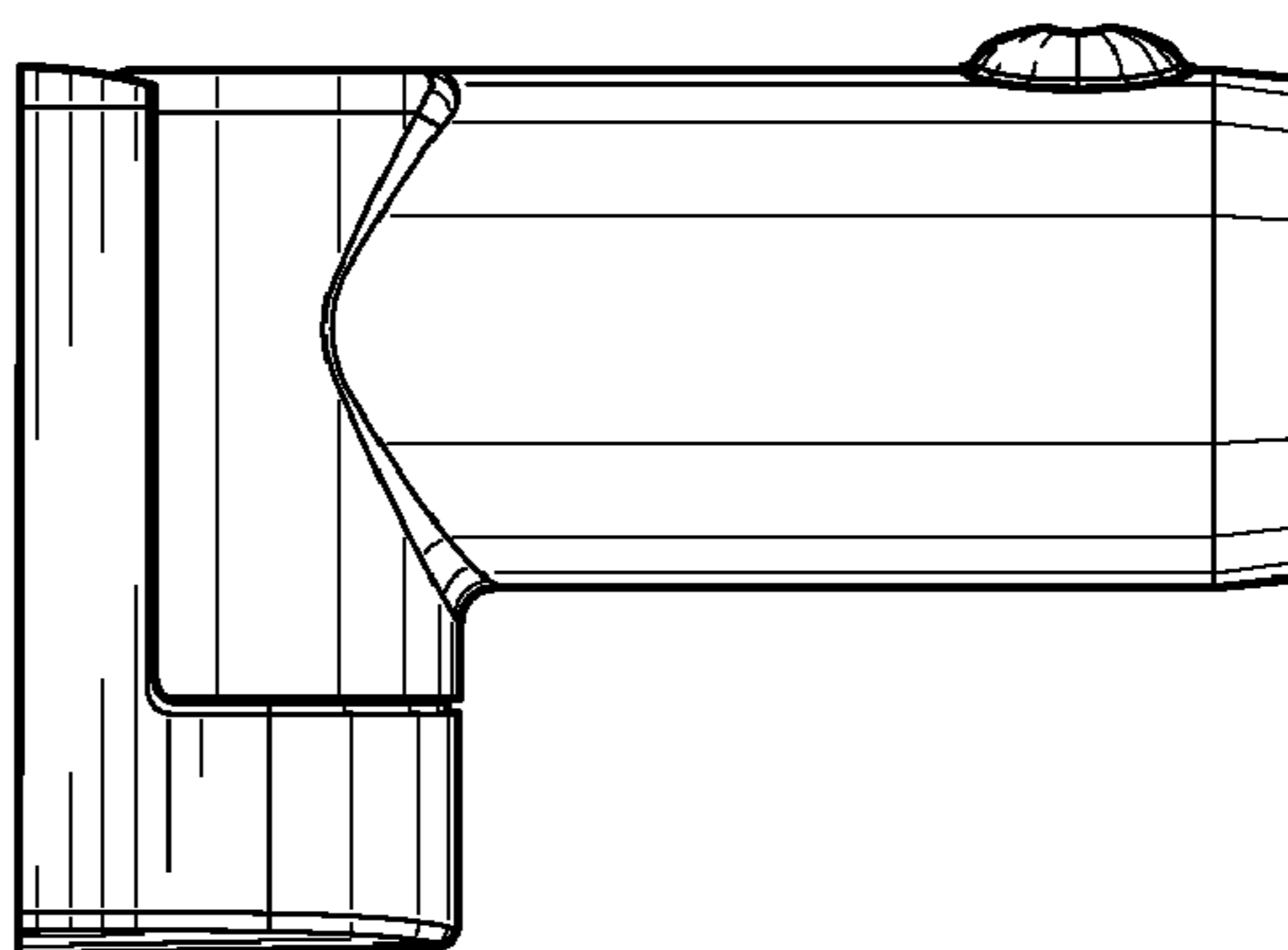
*FIG. 2*



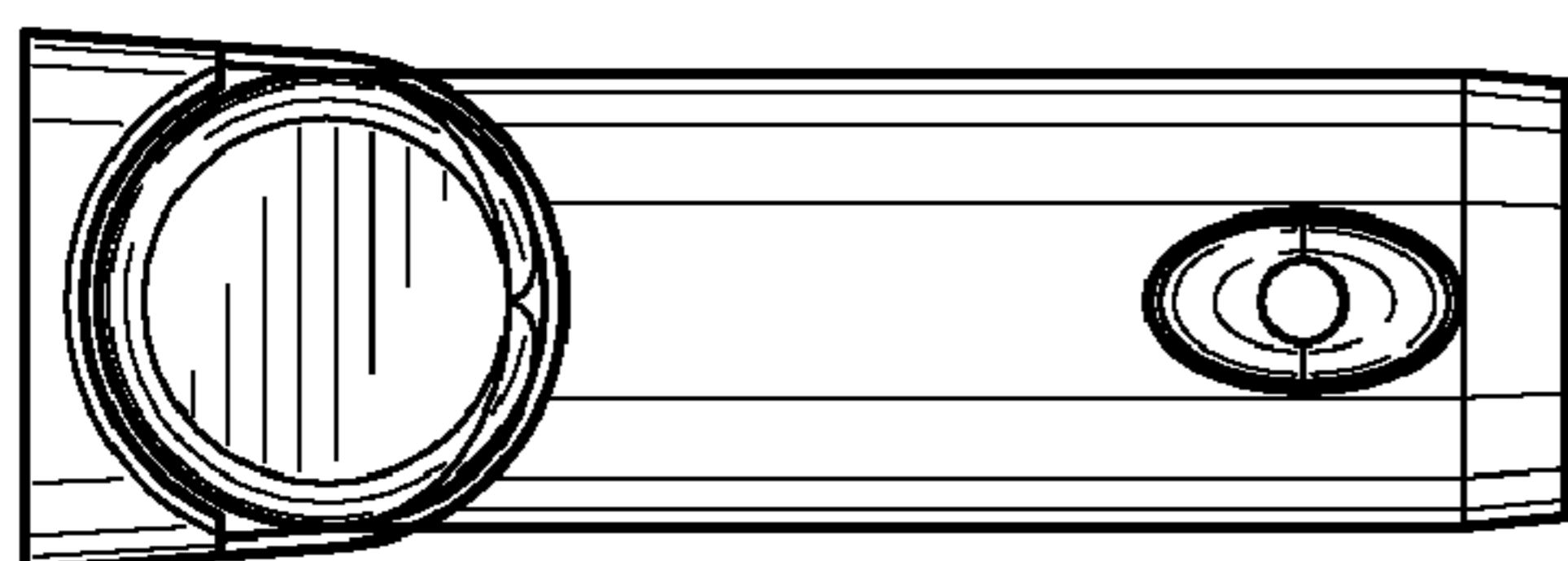
*FIG. 3*



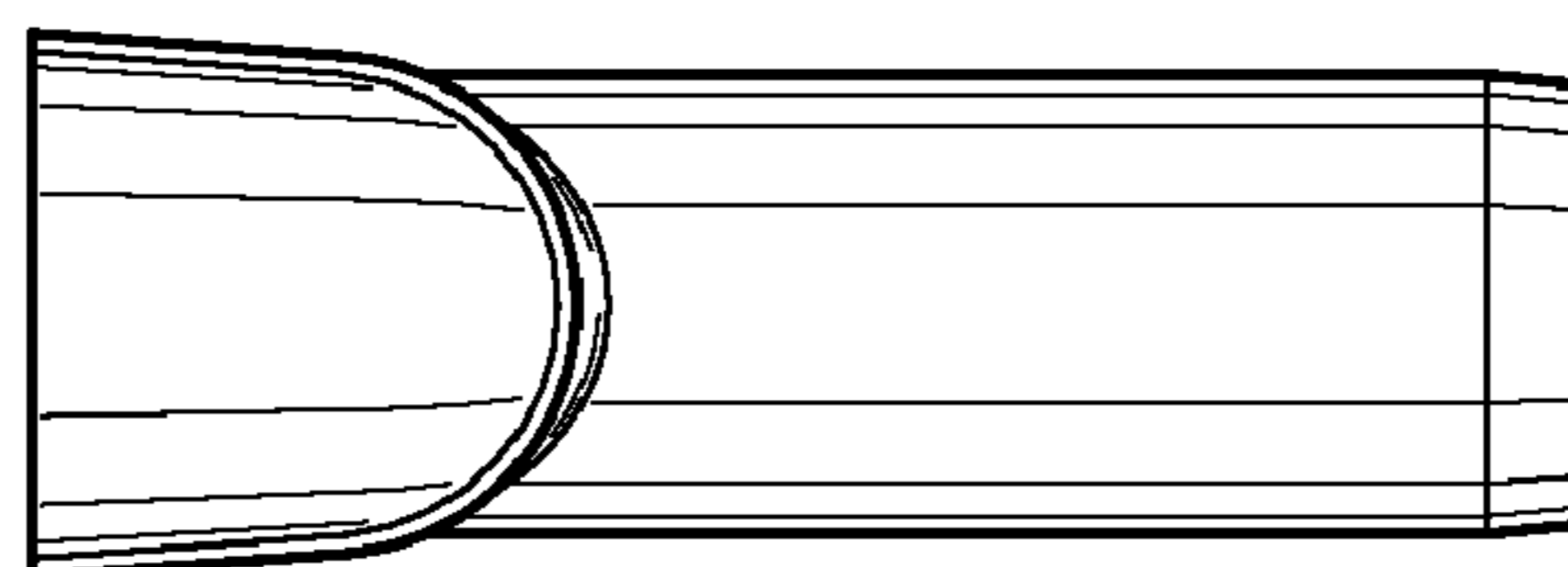
*FIG. 4*



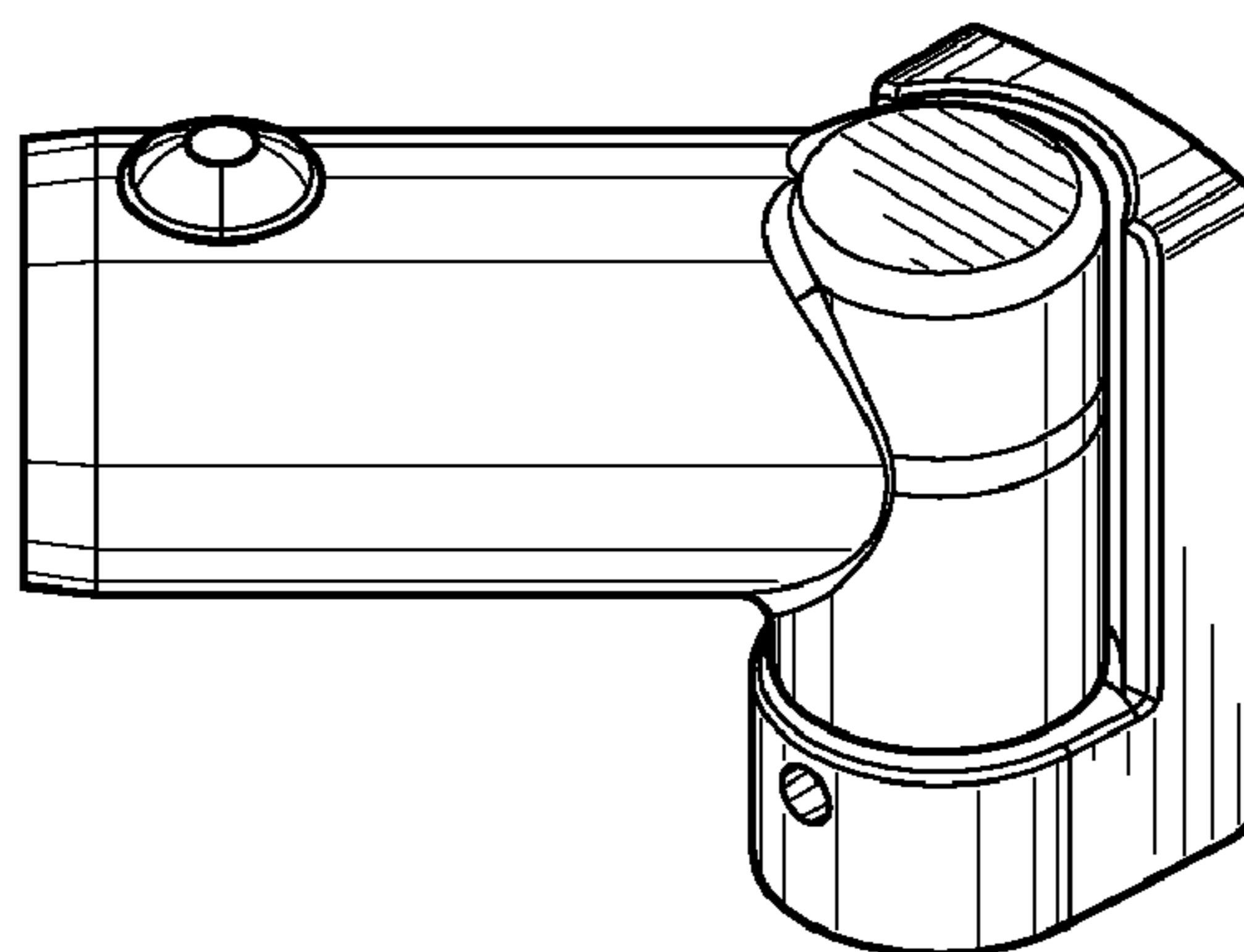
*FIG. 5*



*FIG. 6*



*FIG. 7*



*FIG. 8*