



US00D557589S

(12) **United States Design Patent**
Kuramoto

(10) **Patent No.:** **US D557,589 S**

(45) **Date of Patent:** **** Dec. 18, 2007**

(54) **CORD REEL**

(75) Inventor: **Yoshisuke Kuramoto**, 10-15,
Shinmachi 3-chome, Kokubunji-shi,
Tokyo (JP) 185-0004

(73) Assignee: **Yoshisuke Kuramoto**, Kokubunji-shi,
Tokyo

(**) Term: **14 Years**

(21) Appl. No.: **29/285,949**

(22) Filed: **Apr. 18, 2007**

(30) **Foreign Application Priority Data**

Feb. 28, 2007 (JP) 2007-007800

(51) **LOC (8) Cl.** **08-05**

(52) **U.S. Cl.** **D8/358**

(58) **Field of Classification Search** D8/360.1,
D8/359, 358, 356; D30/160; D19/69, 67;
D13/154, 137.4; D10/72; 379/438; 242/916,
242/601, 570, 405, 404, 371, 223, 170; 191/12.4,
191/12.2 R; 446/26

See application file for complete search history.

(56) **References Cited**

U.S. PATENT DOCUMENTS

D217,835 S * 6/1970 Henkels D10/72
D285,909 S * 9/1986 Lamson D10/72
D316,030 S * 4/1991 Adielsson D8/358

D449,974 S * 11/2001 Stekelenburg D8/358
D456,242 S * 4/2002 Stekelenburg D8/358
D457,806 S * 5/2002 Stekelenburg D8/358
6,881,273 B1 * 4/2005 Oberman 134/6
2007/0108331 A1 * 5/2007 Terutake 242/371

* cited by examiner

Primary Examiner—Gary D. Watson
Assistant Examiner—Susan Bennett Hattan

(57) **CLAIM**

The ornamental design for a cord reel, as shown and described.

DESCRIPTION

FIG. 1 is a perspective view of a cord reel showing my new design;

FIG. 2 is an exploded view thereof;

FIG. 3 is a front elevation view thereof;

FIG. 4 is a rear elevation view thereof;

FIG. 5 is a right side elevation view thereof;

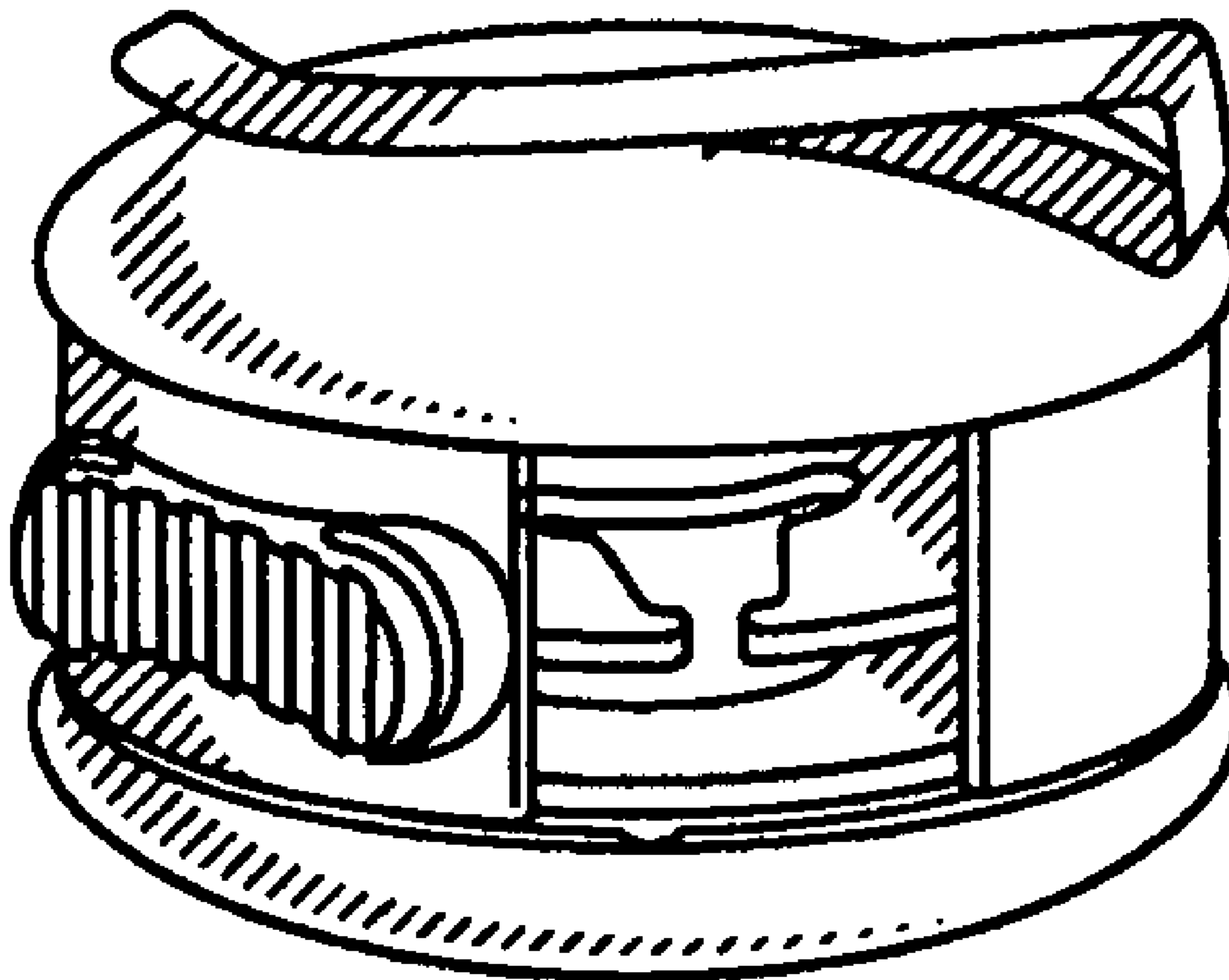
FIG. 6 is a left side elevation view thereof;

FIG. 7 is a top plan view thereof; and,

FIG. 8 is a bottom plan view thereof.

The broken lines in FIG. 2 are for illustrative purposes only and form no part of the claimed design.

1 Claim, 2 Drawing Sheets



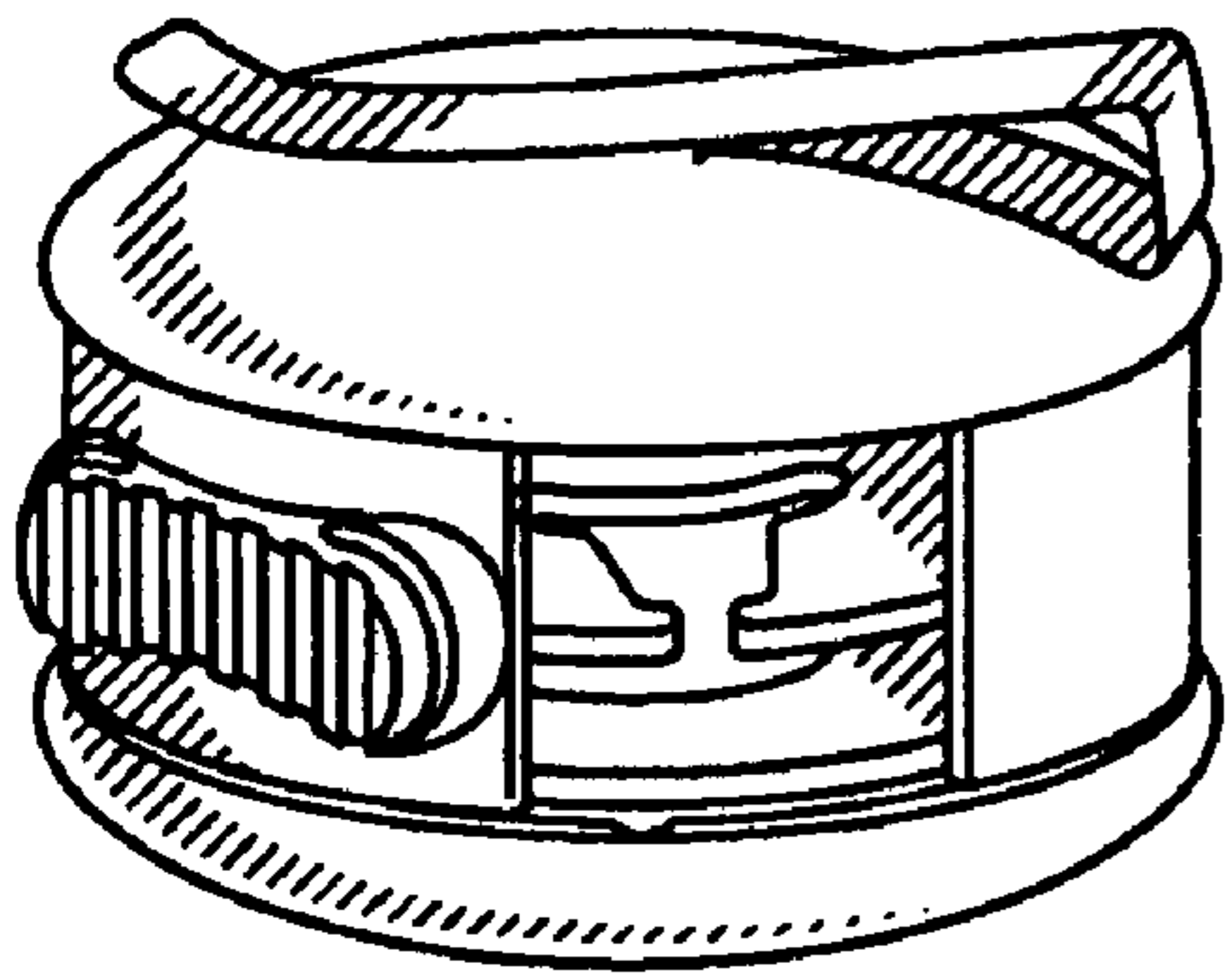


Fig. 1

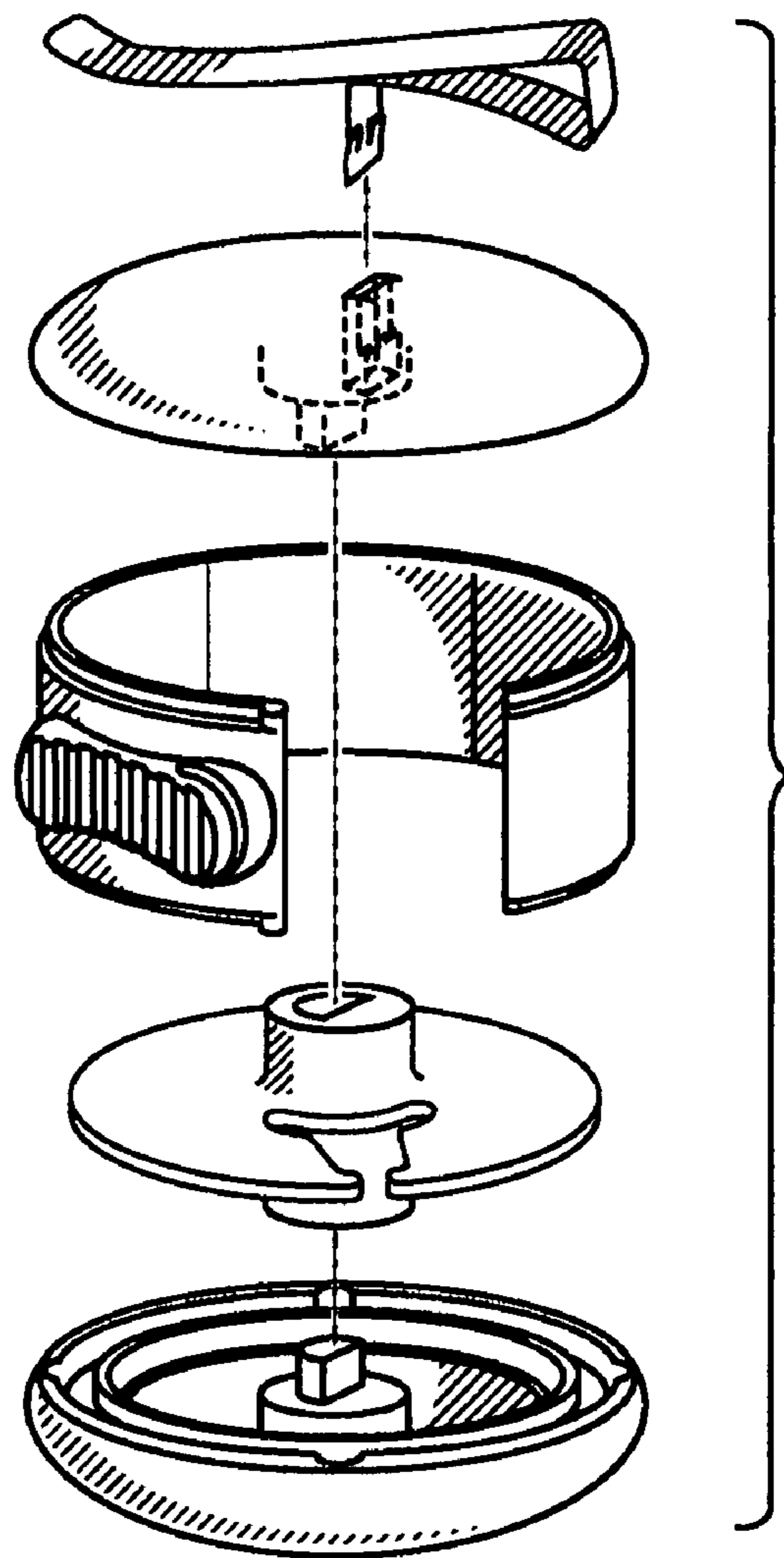


Fig. 2

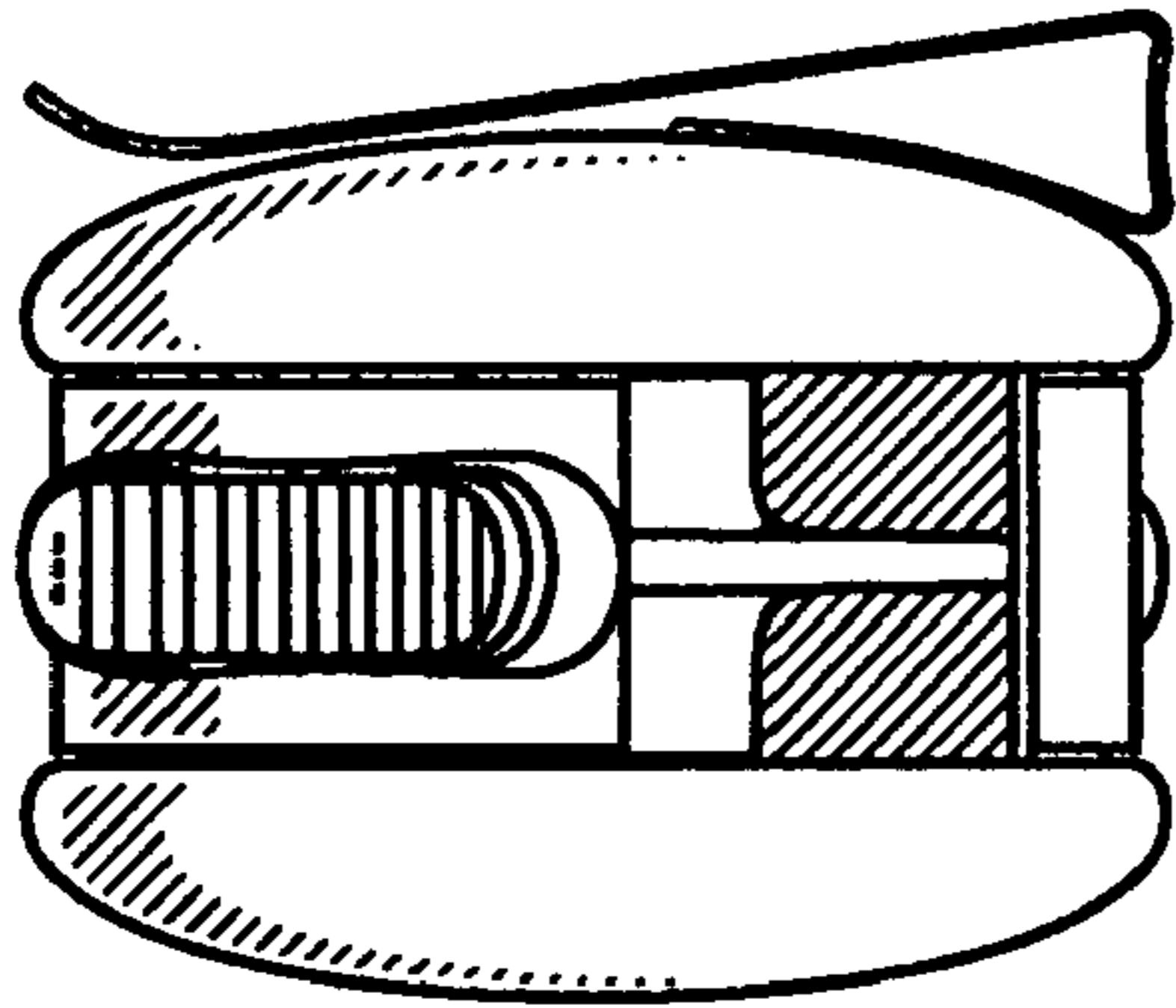


Fig. 3

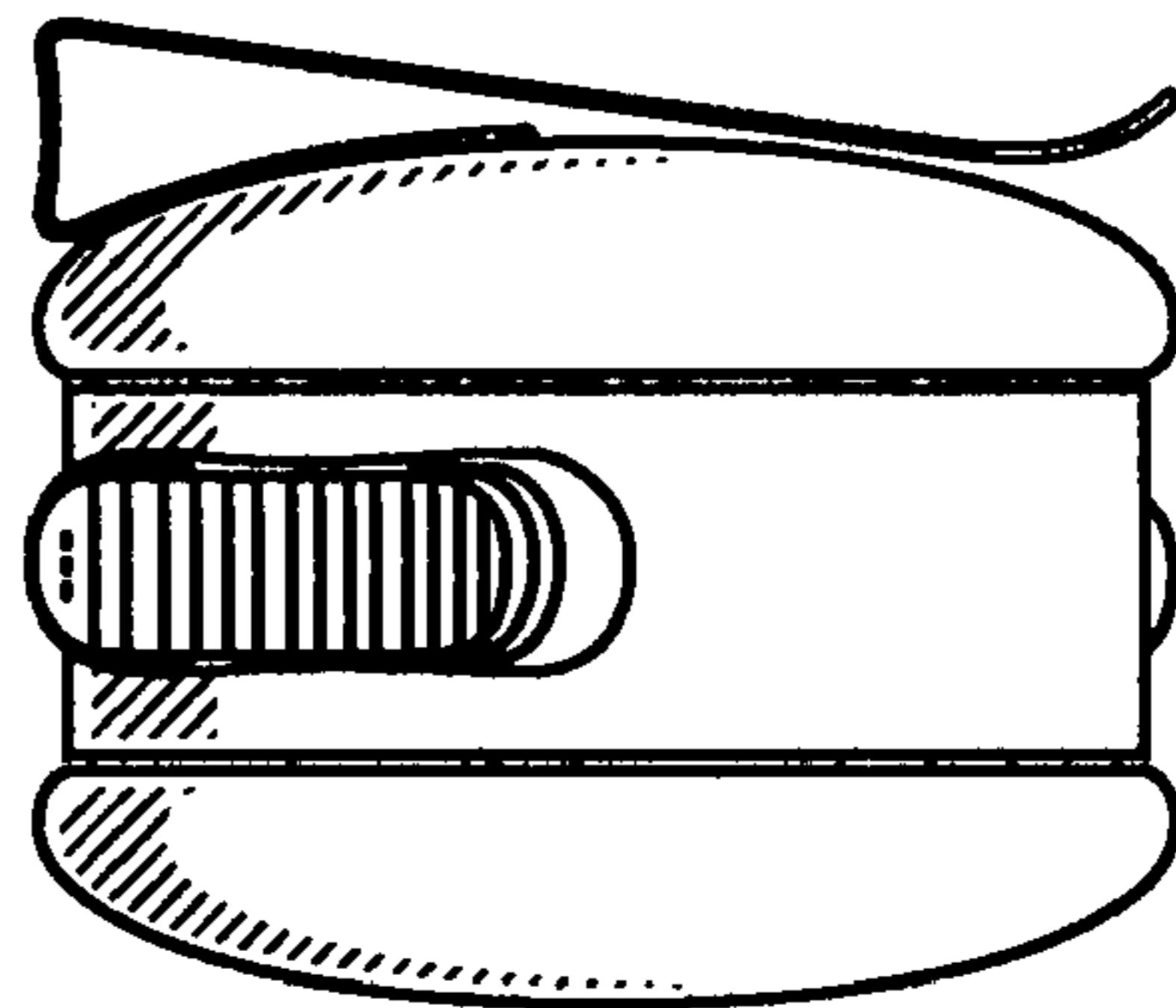


Fig. 4

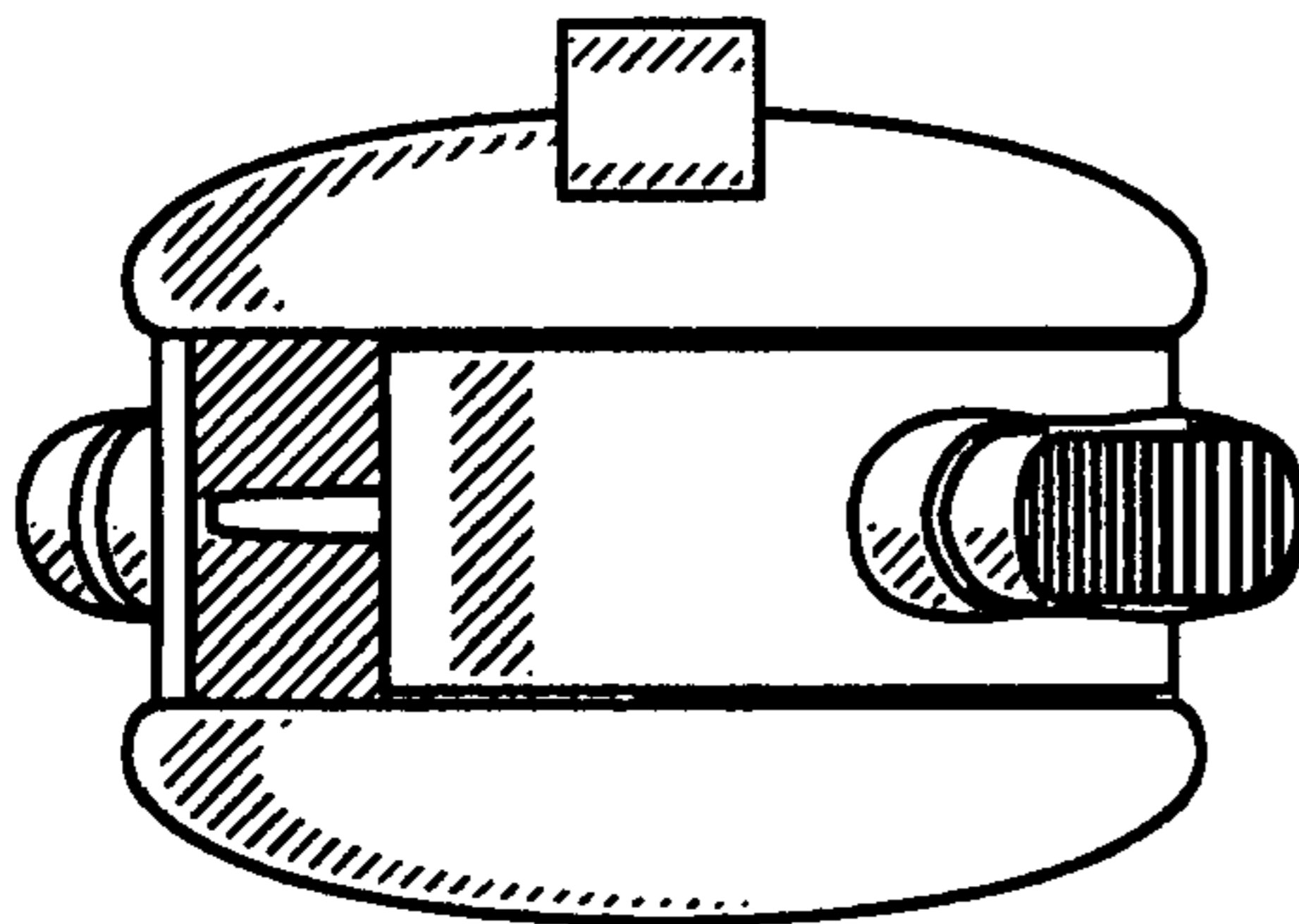


Fig. 5

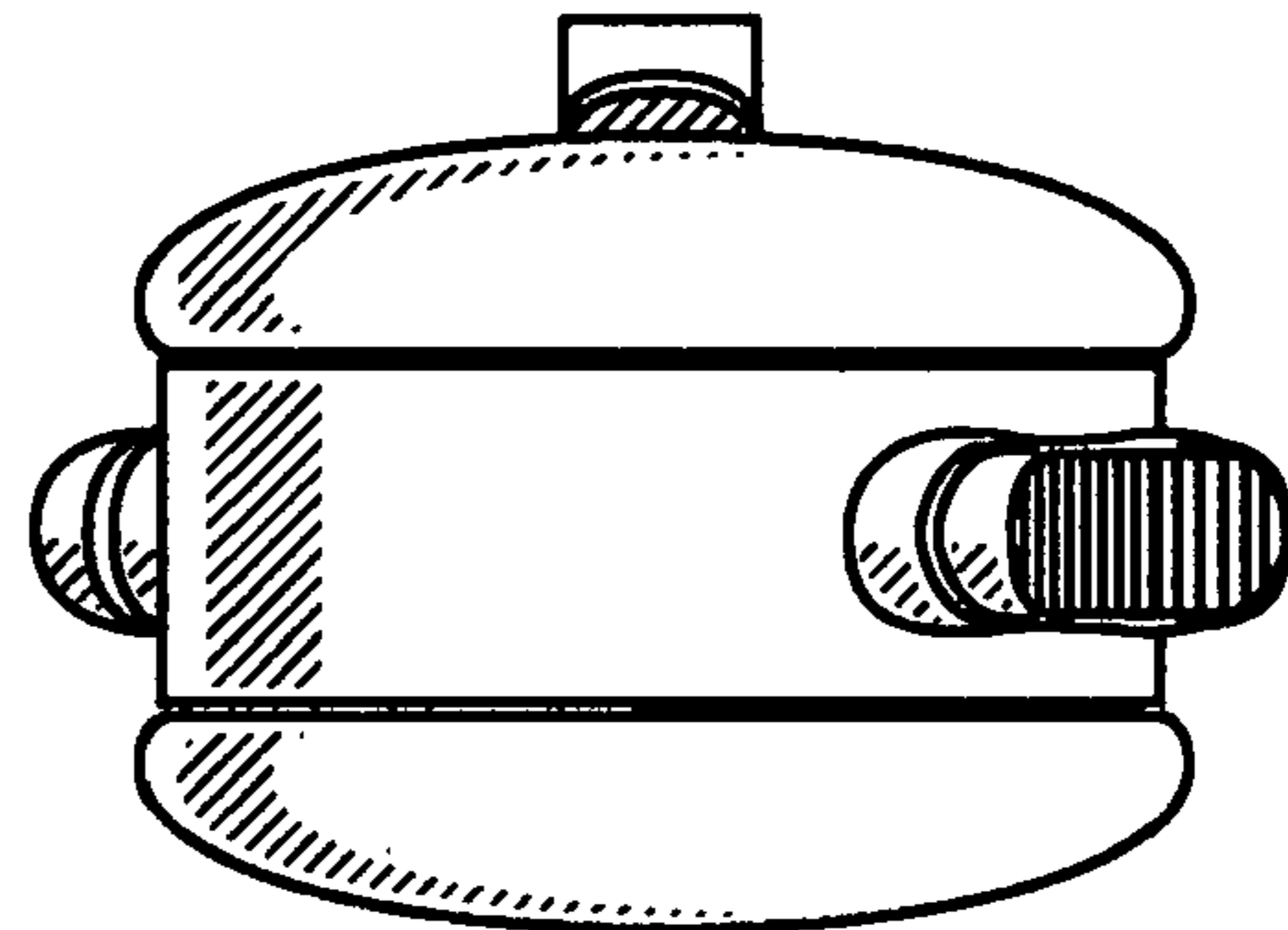


Fig. 6

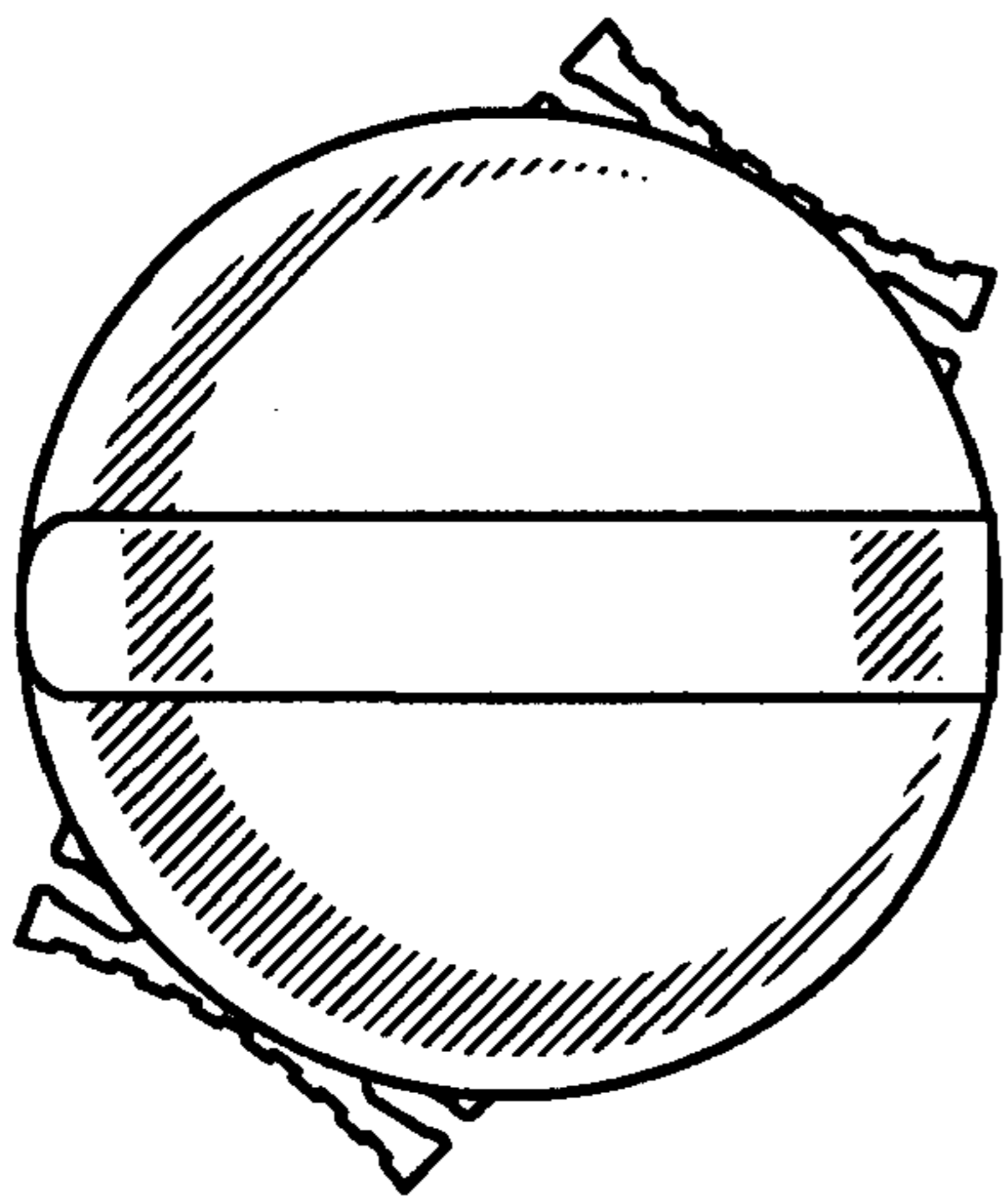


Fig. 7

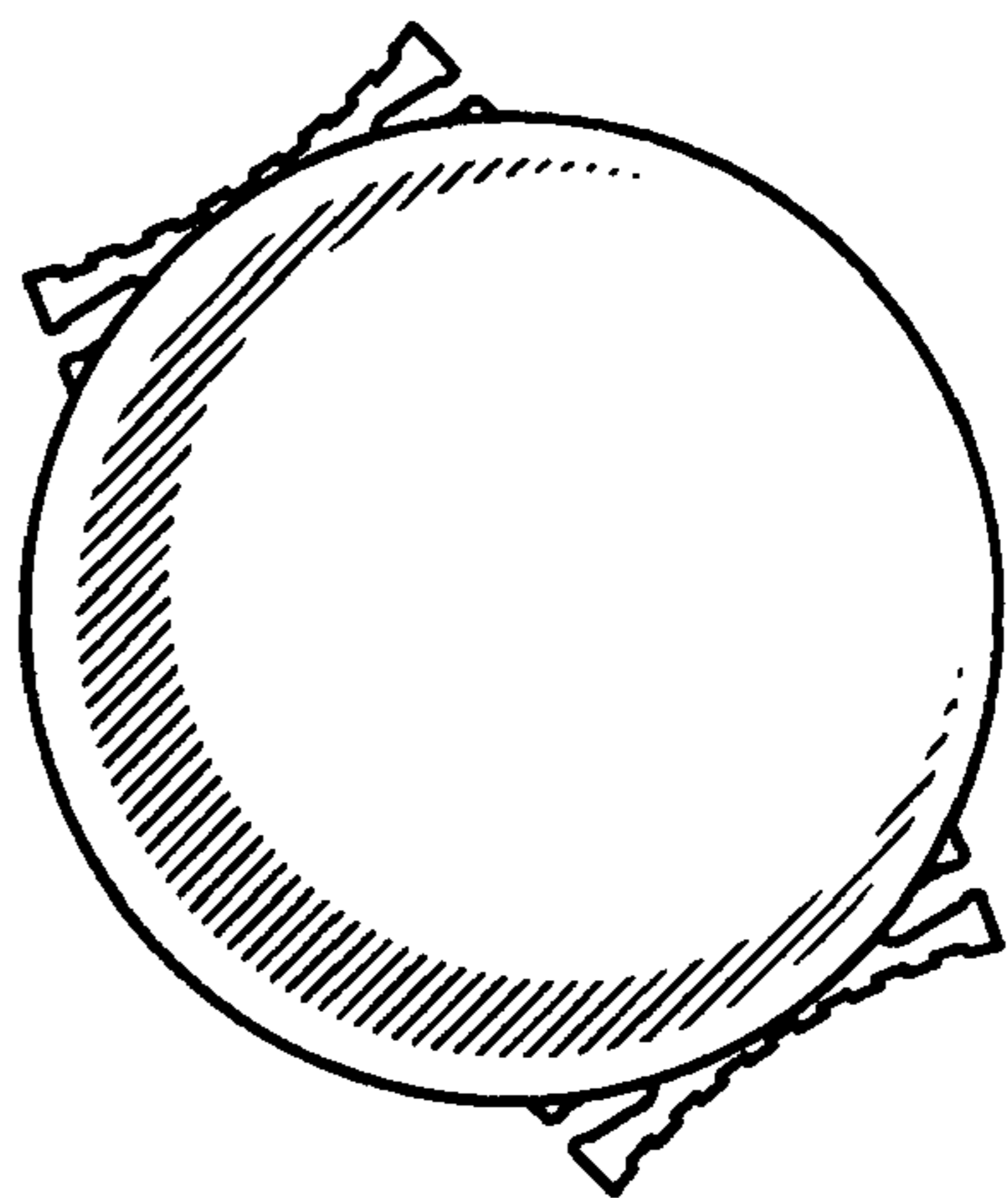


Fig. 8