

US00D557586S

(12) **United States Design Patent** (10) **Patent No.:** **US D557,586 S**
Shire et al. (45) **Date of Patent:** **** Dec. 18, 2007**

(54) **GATE HINGE**
(76) Inventors: **Paul B. Shire**, Group Box 5156, 129 Jeffery Dr., RR #5, Trenton (CA), K8V 5P8; **John Kenneth Larsen**, 914 Park Place, RR #1, Kincardine (CA), N2Z 2X3; **Kent Christopher Lipskie**, RR #1, Hanover (CA), N4N 3B8

(**) **Term:** **14 Years**

(21) **Appl. No.:** **29/257,197**

(22) **Filed:** **Mar. 31, 2006**

(30) **Foreign Application Priority Data**

Nov. 15, 2005 (CA) 1113435

(51) **LOC (8) Cl.** **08-06**

(52) **U.S. Cl.** **D8/327**

(58) **Field of Classification Search** 16/385, 16/386, 387, 388-390, 221, DIG. 13, DIG. 40, 16/DIG. 43, 309, 316, 234-237, 239-241, 16/245-246, 249, 254, 261-262, 265, 272, 16/277, 307, 319, 335, 339, 342, 379, 381-383, 16/384; D23/303; 248/200, 221.11, 300, 248/309.1, 317; 4/236-240; D8/323, 324, D8/325, 326, 327, 328, 329, 349, 354, 356

See application file for complete search history.

(56) **References Cited**

U.S. PATENT DOCUMENTS

54,171 A 4/1866 Jordan
144,020 A 10/1873 Doremus
189,866 A 4/1877 Long
261,150 A 7/1882 Gowen
418,021 A 12/1889 Harris
655,596 A 8/1900 Baden
794,454 A 8/1905 Brown et al.
820,995 A 5/1906 Smith
906,048 A 12/1908 Mayo
1,010,949 A 12/1911 Polverino
1,072,364 A 9/1913 Roberts
1,904,120 A 4/1933 Emil
2,139,651 A 12/1938 Applegate

2,205,396 A 6/1940 Charles
2,268,669 A 1/1942 Moore
3,153,807 A * 10/1964 Nyman 16/390
D204,872 S * 5/1966 Davis D8/323
3,911,622 A 10/1972 Prohaska
3,710,416 A 1/1973 Pheips
3,911,528 A 10/1975 Rojic, Sr.
D265,048 S 6/1982 Guardia
4,439,888 A 4/1984 Merillat
4,594,821 A 6/1986 Bechtold et al.
4,748,717 A 6/1988 Osborne
4,837,893 A 6/1989 Wilson
4,918,786 A 4/1990 Perry
5,199,218 A * 4/1993 McQuade 16/379
5,356,095 A * 10/1994 Aker 16/307
5,367,745 A 11/1994 Roloff
5,448,799 A 9/1995 Stein

(Continued)

FOREIGN PATENT DOCUMENTS

GB 2225808 6/1990

Primary Examiner—T. Chase Nelson
(74) *Attorney, Agent, or Firm*—Dowell & Dowell, P.C.

(57) **CLAIM**

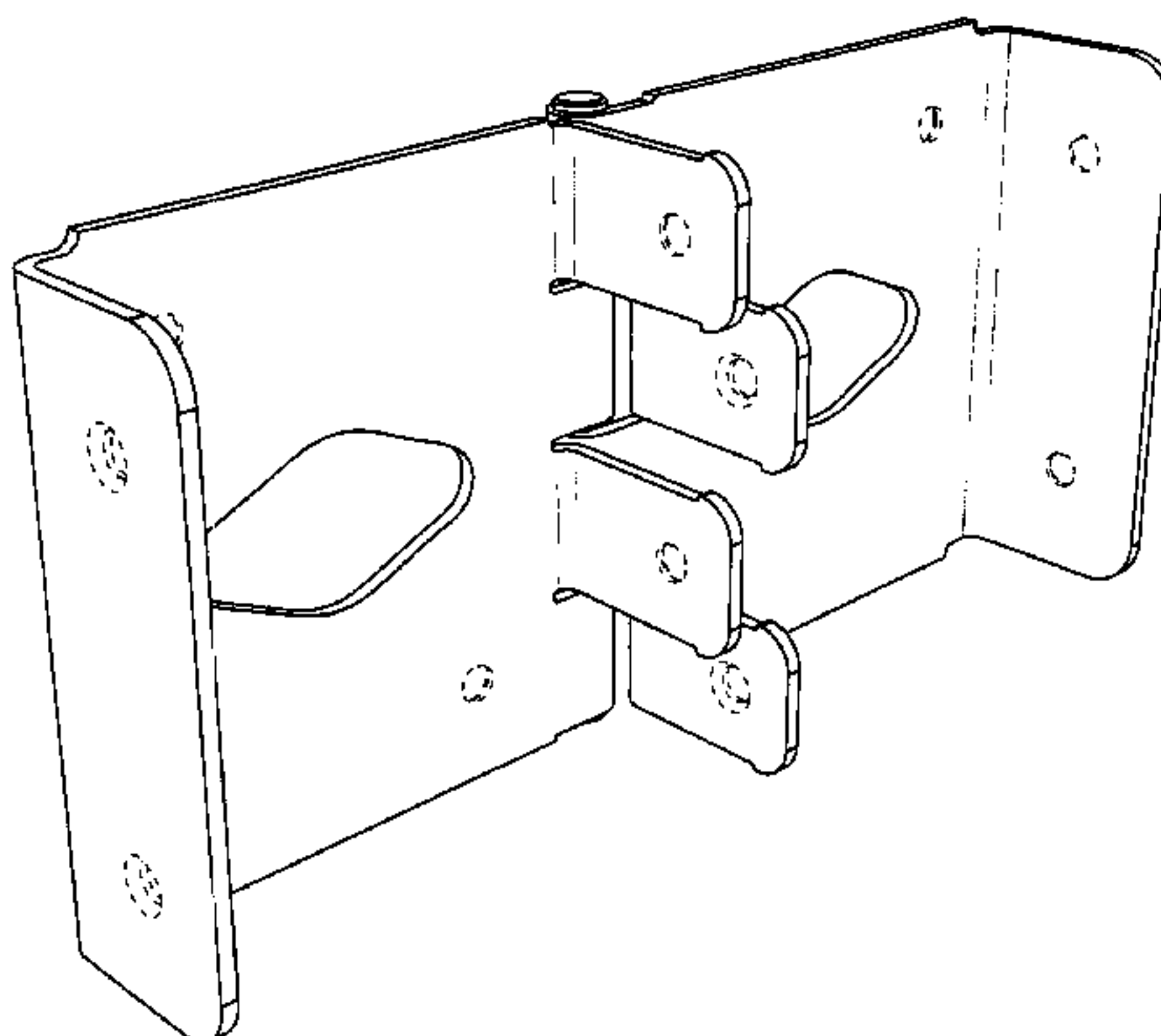
The ornamental design for a gate hinge, as shown and described.

DESCRIPTION

FIG. 1 is a front perspective view of a gate hinge showing my new design;
FIG. 2 is a rear perspective view;
FIG. 3 is a left side view;
FIG. 4 is a front elevation view;
FIG. 5 is a right side view;
FIG. 6 rear elevation view;
FIG. 7 is a top plan view; and,
FIG. 8 is a bottom plan view.

The broken line showing environmental structure is for illustrative purposes only and forms no part of the claimed design.

1 Claim, 8 Drawing Sheets



US D557,586 S

Page 2

| U.S. PATENT DOCUMENTS | | | | | | |
|-----------------------|---------|---------------|---------------------|---------|-------------------|--------|
| | | | D443,196 S * | 6/2001 | Sosa | D8/323 |
| | | | 6,568,869 B1 | 5/2003 | Murata | |
| | | | D497,533 S | 10/2004 | Wegman | |
| | | | 7,178,199 B2 | 2/2007 | Kashiwaguma | 16/382 |
| | | | D543,830 S | 6/2007 | Frank et al. | D8/323 |
| | | | 2004/0231106 A1 * | 11/2004 | Shire | 16/390 |
| | | | * cited by examiner | | | |
| 5,454,144 A | 10/1995 | Rupprochter | | | | |
| 5,455,987 A | 10/1995 | Svehaug | | | | |
| D372,852 S | 8/1996 | Noll et al. | | | | |
| 5,735,085 A | 4/1998 | Denooy | | | | |
| D396,626 S * | 8/1998 | Francom | D8/323 | | | |
| 5,938,184 A | 8/1999 | DeSouza | | | | |

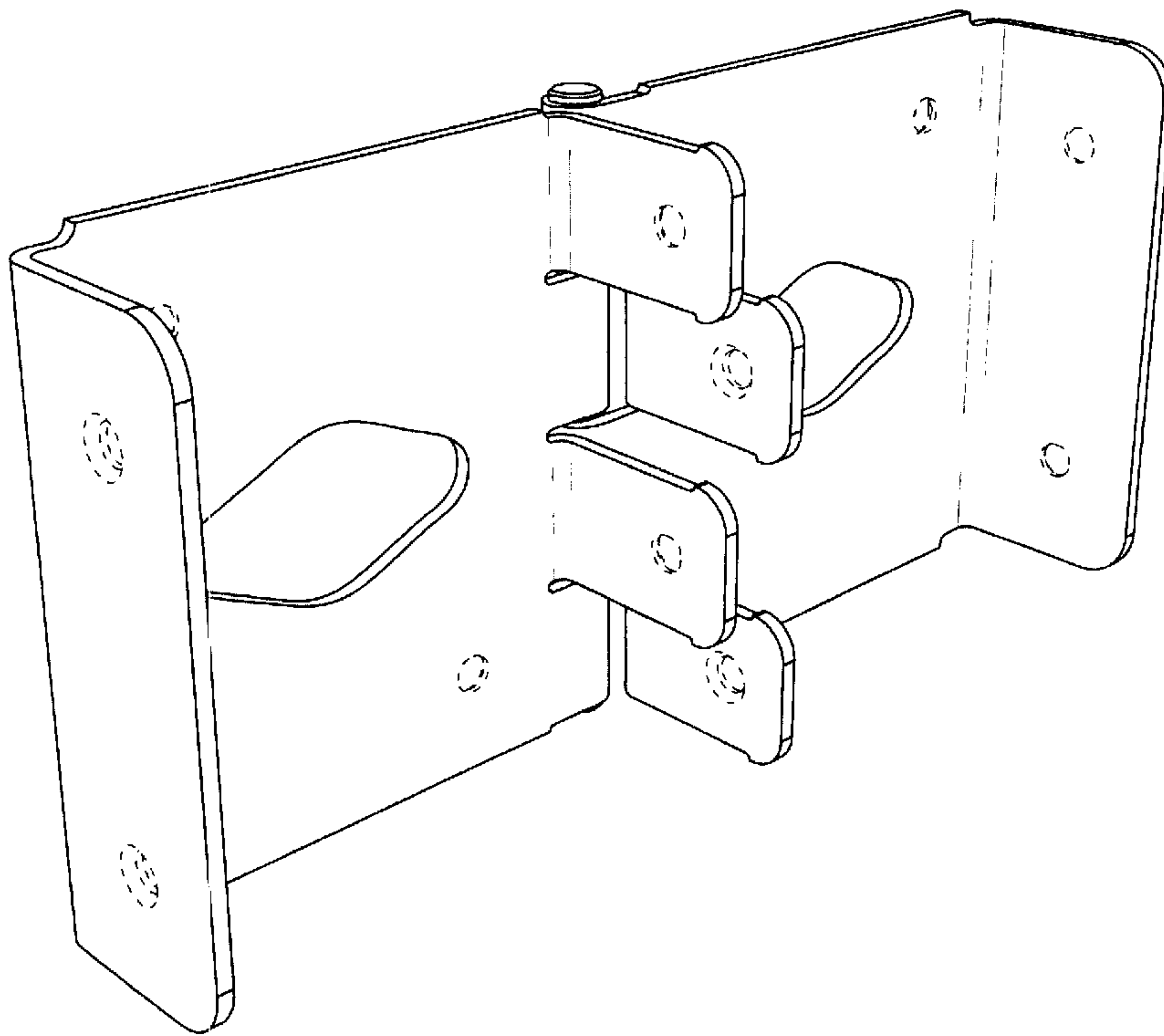


FIG. 1

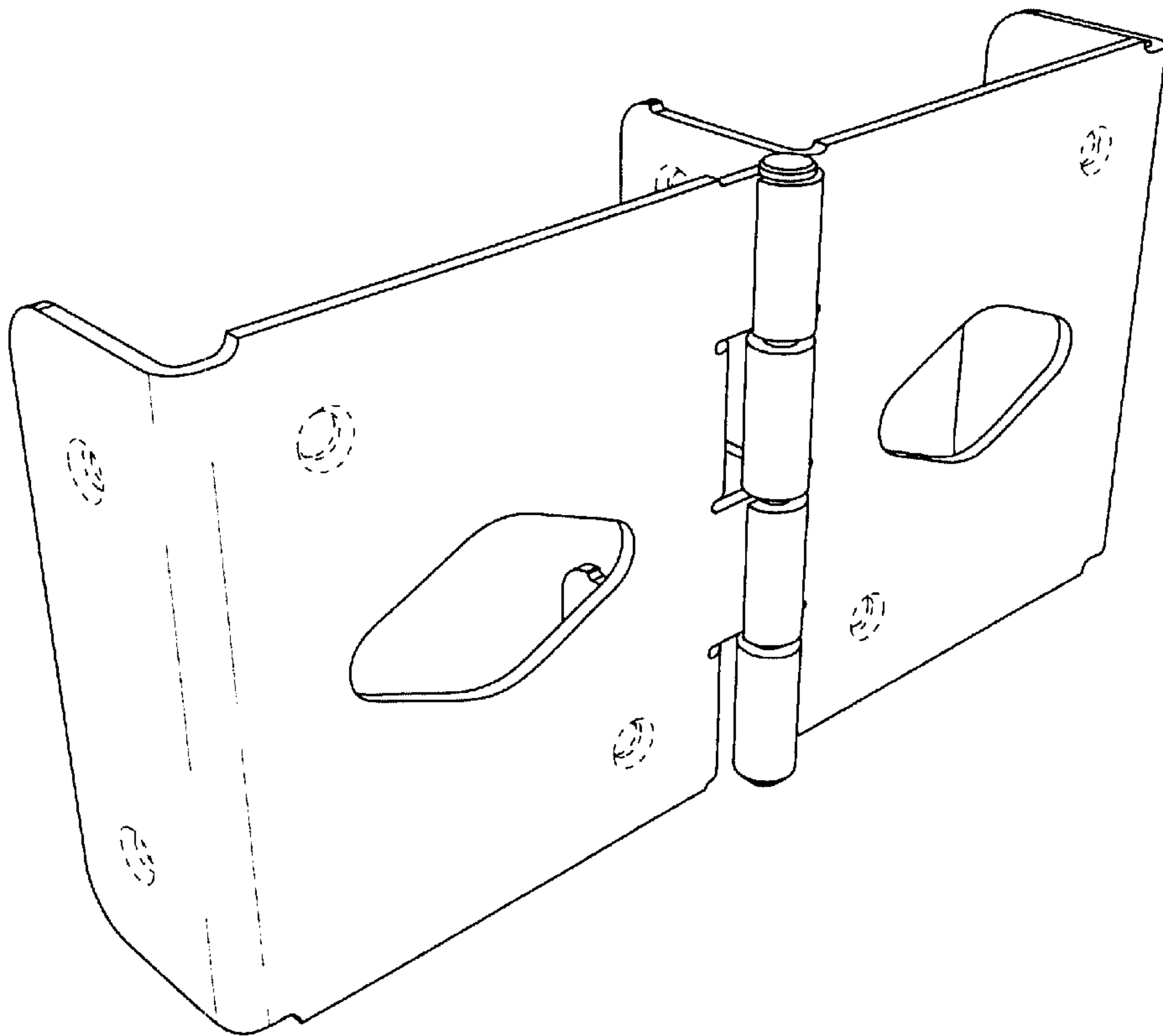


FIG. 2

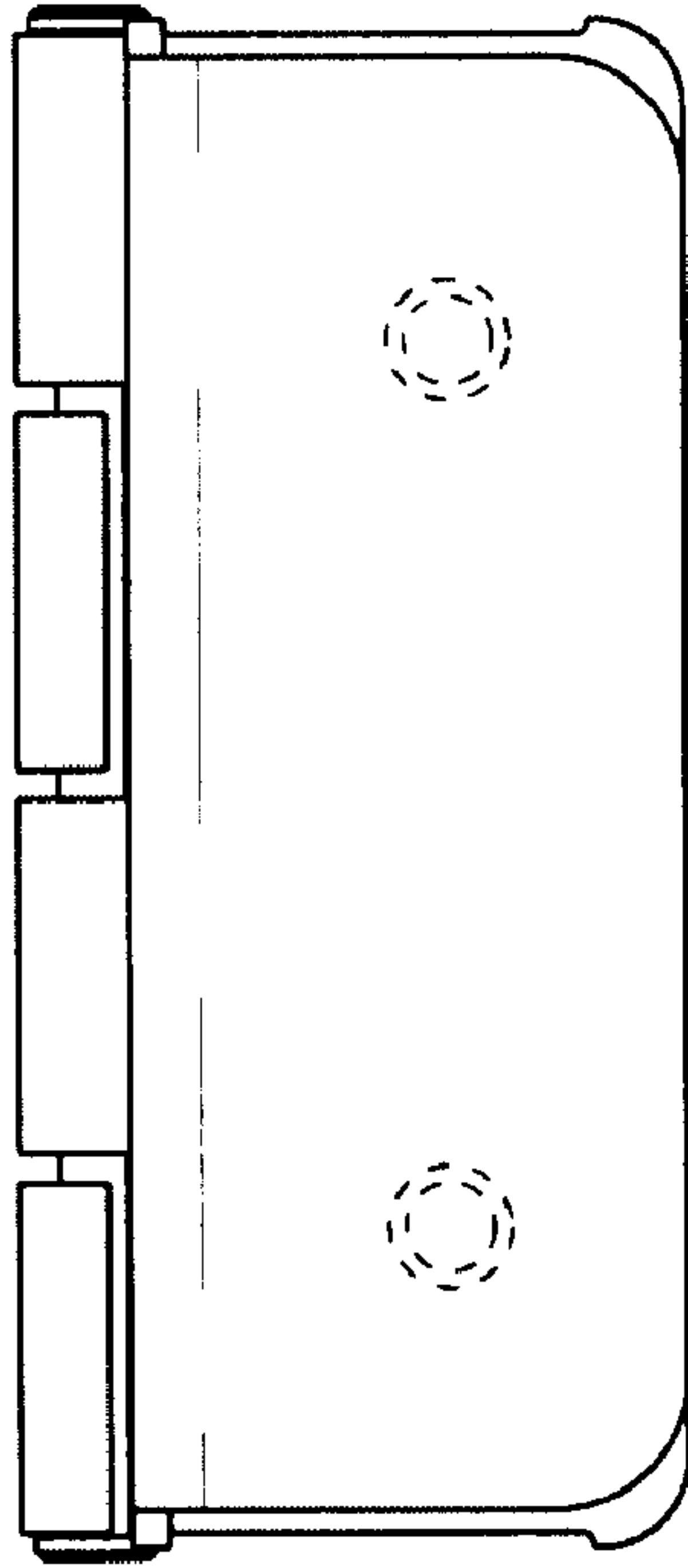


FIG. 3

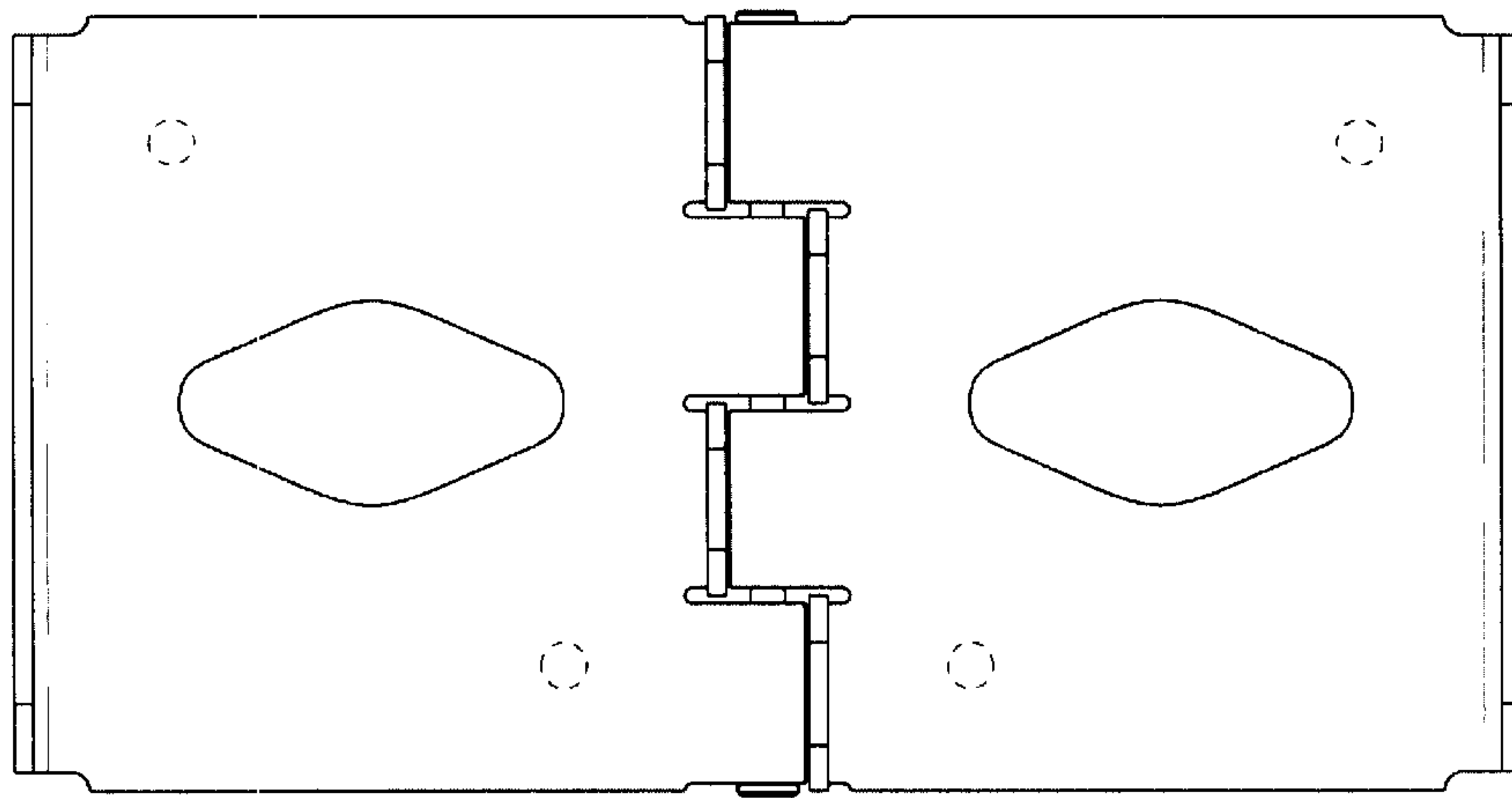


FIG. 4

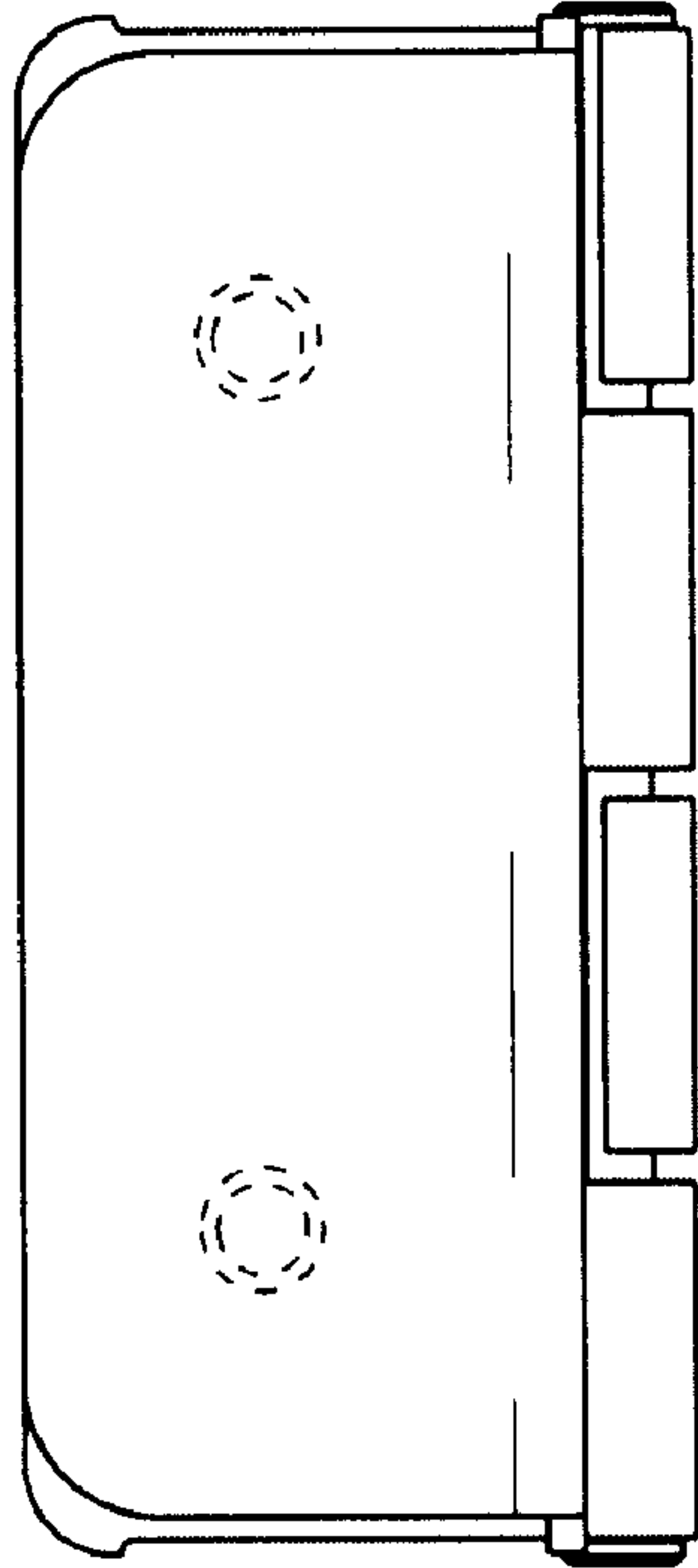


FIG. 5

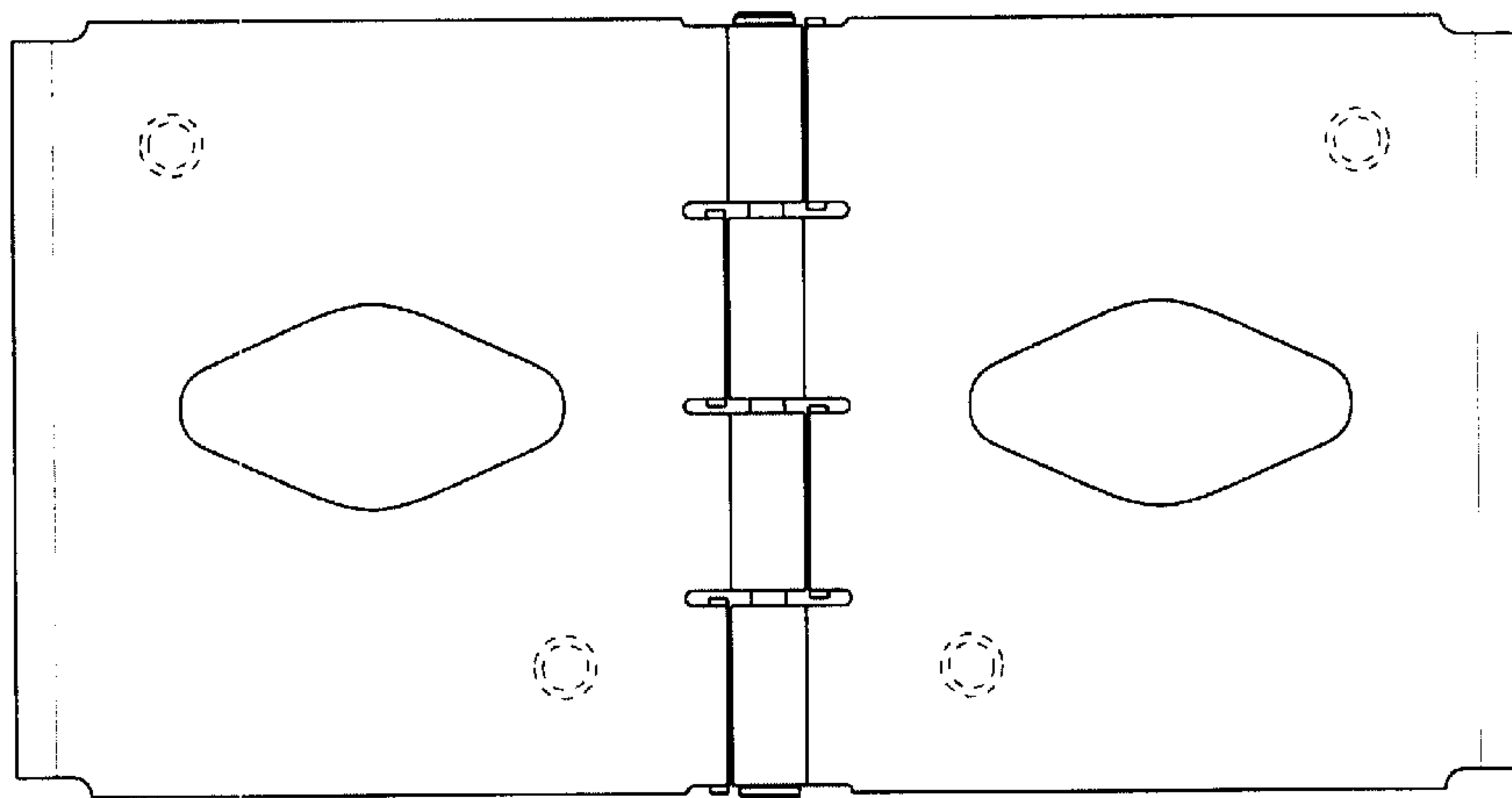


FIG. 6

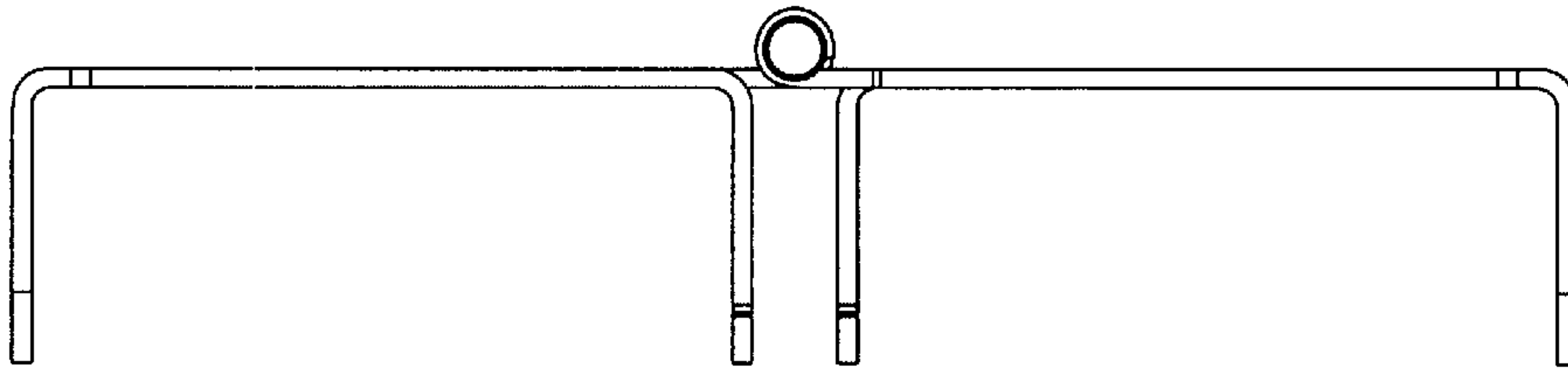


FIG. 7

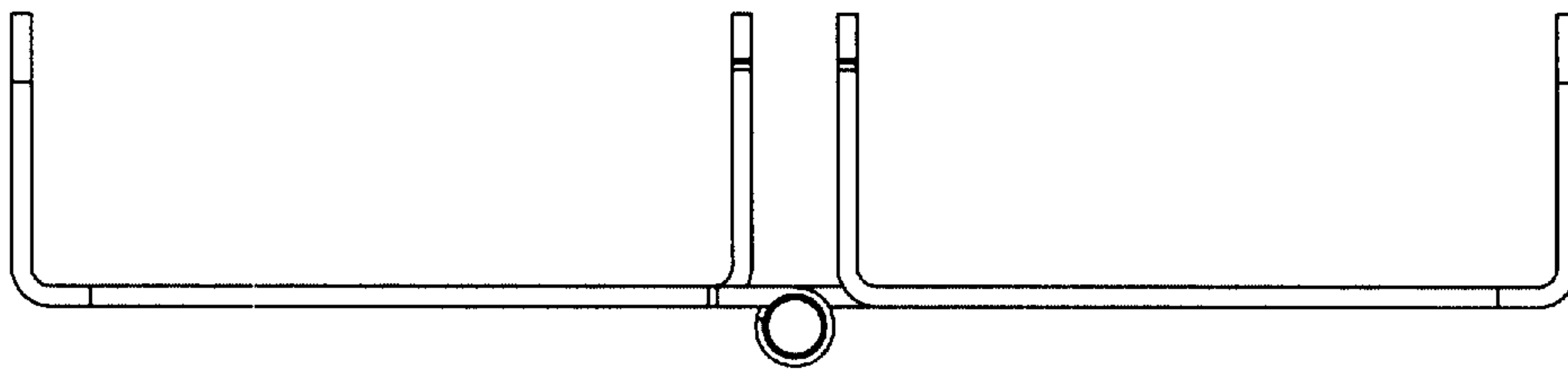


FIG. 8