



US00D557582S

(12) **United States Design Patent**
Murray et al.

(10) **Patent No.:** **US D557,582 S**

(45) **Date of Patent:** **** Dec. 18, 2007**

(54) **CLAMP DEVICE**

(75) Inventors: **Thomas Murray**, Baltimore, MD (US);
Michael Kott, Baltimore, MD (US);
Rodney Milbourne, Abingdon, MD (US)

(73) Assignee: **Black & Decker Inc.**, Newark, DE (US)

(**) Term: **14 Years**

(21) Appl. No.: **29/272,271**

(22) Filed: **Feb. 5, 2007**

(51) **LOC (8) Cl.** **08-05**

(52) **U.S. Cl.** **D8/73**

(58) **Field of Classification Search** D8/74,
D8/73, 72, 394, 71; 269/3, 6, 143, 147-149,
269/95, 249, 203; 81/355, 356, 353, 487,
81/10, 326, 327; 29/257; 24/514, 569
See application file for complete search history.

(56) **References Cited**

U.S. PATENT DOCUMENTS

D143,075 S *	12/1945	Ingwer	269/249
D143,096 S *	12/1945	Sasgen	D8/73
2,954,719 A	10/1960	Vaughn		
3,055,654 A *	9/1962	Harrison et al.	269/143
3,092,378 A *	6/1963	Aulner	269/143
3,672,556 A	6/1972	Diepeveen		
3,872,904 A	3/1975	Barlow		
4,228,723 A	10/1980	Cunningham		
4,258,596 A	3/1981	Bisbing et al.		
4,311,071 A	1/1982	Bassell		
4,590,825 A	5/1986	Vaughn		
4,635,911 A	1/1987	Lovrenich		
4,700,936 A	10/1987	Lunn		
4,736,927 A	4/1988	Clancy		
4,770,401 A	9/1988	Donaldson		

4,790,174 A	12/1988	Wendland		
4,874,155 A *	10/1989	Goul	269/6
4,934,676 A	6/1990	Feistenauer et al.		
5,110,100 A	5/1992	Cotton		
D342,659 S *	12/1993	Glynn	D8/73
D358,538 S *	5/1995	Cote	D8/73

(Continued)

Primary Examiner—Ian Simmons

Assistant Examiner—David G. Muller

(74) *Attorney, Agent, or Firm*—Wesley W. Muller; Bruce Shapiro

(57) **CLAIM**

The ornamental design for a clamp device, as shown and described.

DESCRIPTION

This application claims priority to U.S. Patent application Ser. No. 11/611,372, entitled "Clamp Device," filed Dec. 15, 2006. The disclosure of this patent application is incorporated herein by reference in its entirety.

FIG. 1 is a perspective view of a clamp device according to the present invention;

FIG. 2 is a side perspective view of the clamp device of FIG. 1;

FIG. 3 is a left side view of the clamp device of FIG. 2;

FIG. 4 is a right side view of the clamp device of FIG. 2;

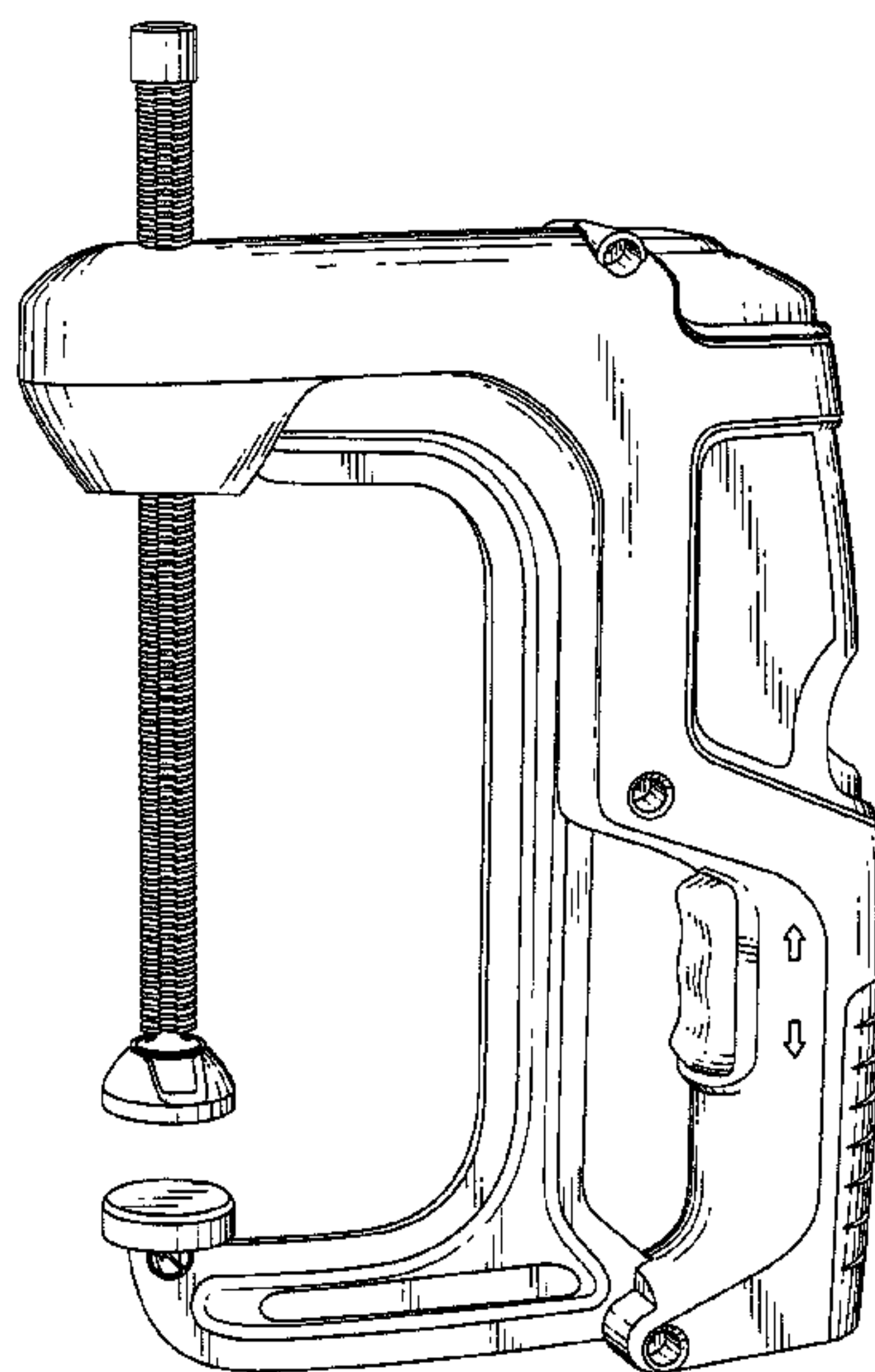
FIG. 5 is a top view of the clamp device of FIG. 2;

FIG. 6 is a bottom view of the clamp device of FIG. 2;

FIG. 7 is a front view of the clamp device of FIG. 2, shown at a larger scale; and,

FIG. 8 is a rear view of the clamp device of FIG. 2, shown at a larger scale.

1 Claim, 8 Drawing Sheets



US D557,582 S

Page 2

U.S. PATENT DOCUMENTS

D376,970 S *	12/1996	Drake	D8/72	6,685,412 B2	2/2004	Altarac et al.	
D413,429 S *	9/1999	Carson	D8/72	D487,689 S *	3/2004	Brass et al.	D8/73
6,186,718 B1	2/2001	Fogard		6,715,380 B2	4/2004	Listl et al.	
6,296,241 B1 *	10/2001	Harrison	269/249	D489,241 S *	5/2004	Parham et al.	D8/73
6,340,154 B1	1/2002	Young		6,883,795 B2	4/2005	McCormick et al.	
6,422,549 B2	7/2002	Corey		7,004,459 B2	2/2006	Sato et al.	
D480,617 S *	10/2003	Varzino	D8/73	2004/0075207 A1	4/2004	Sato et al.	
6,665,923 B2	12/2003	Phillips et al.					

* cited by examiner

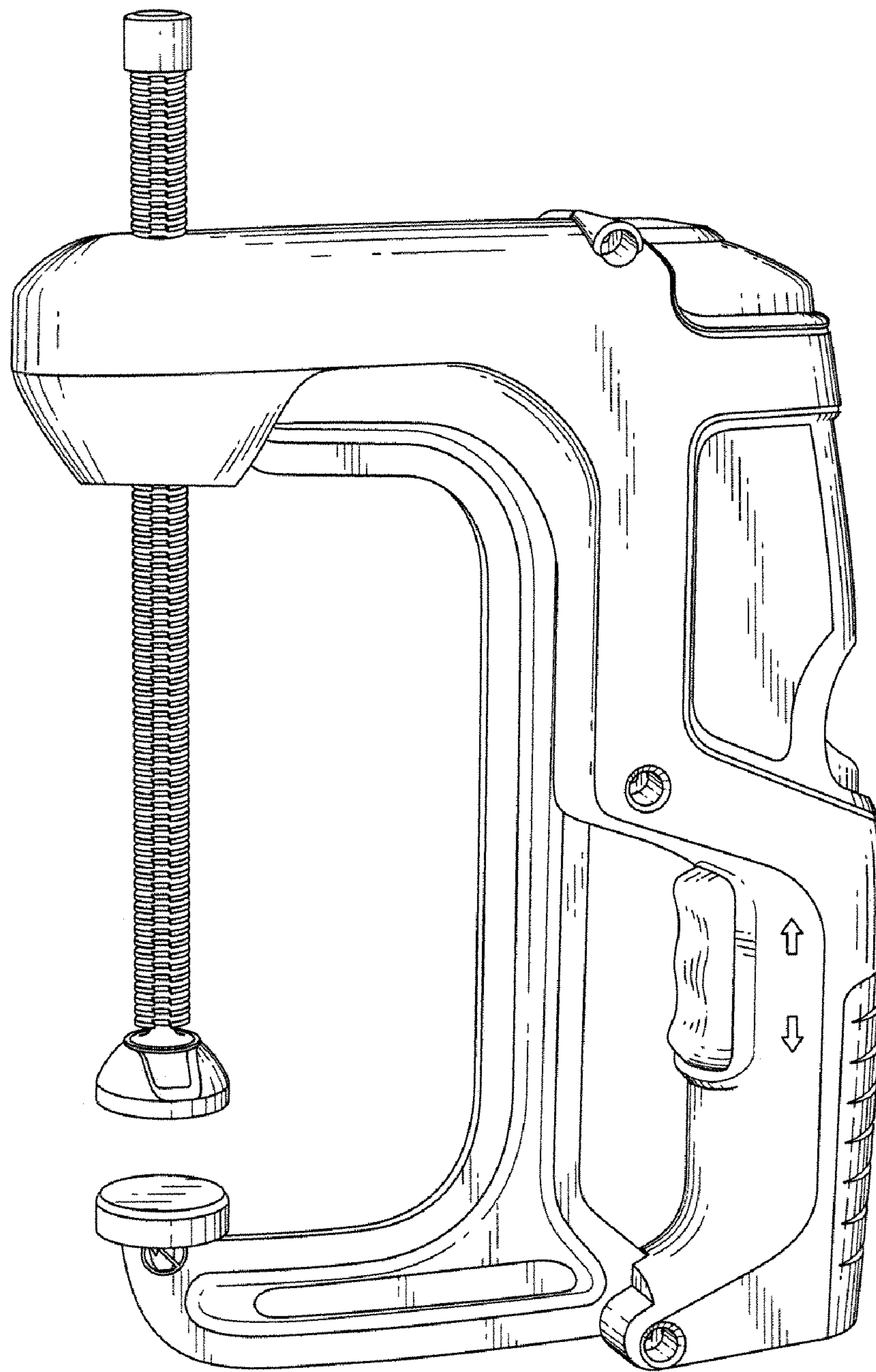


Fig. 1

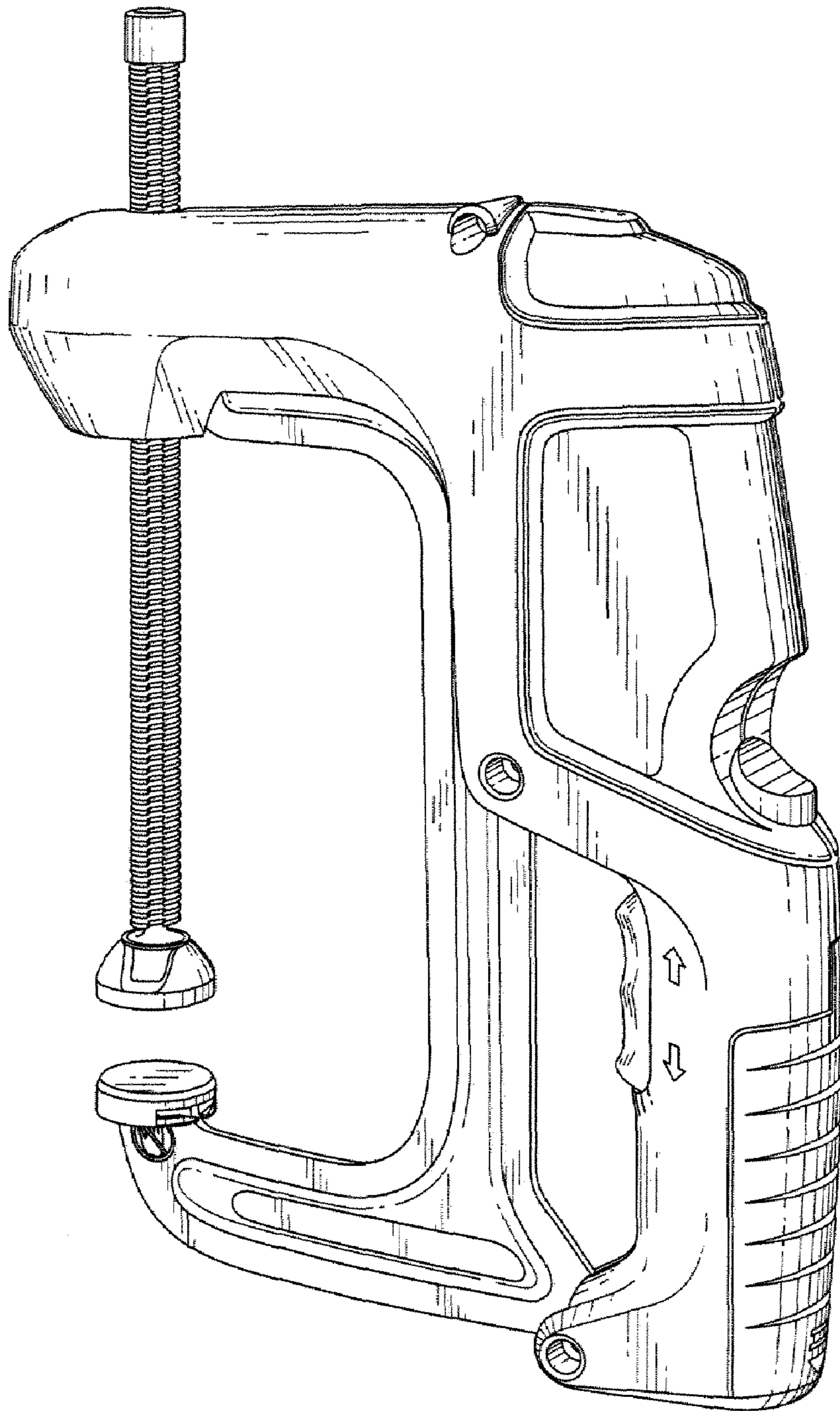


Fig. 2

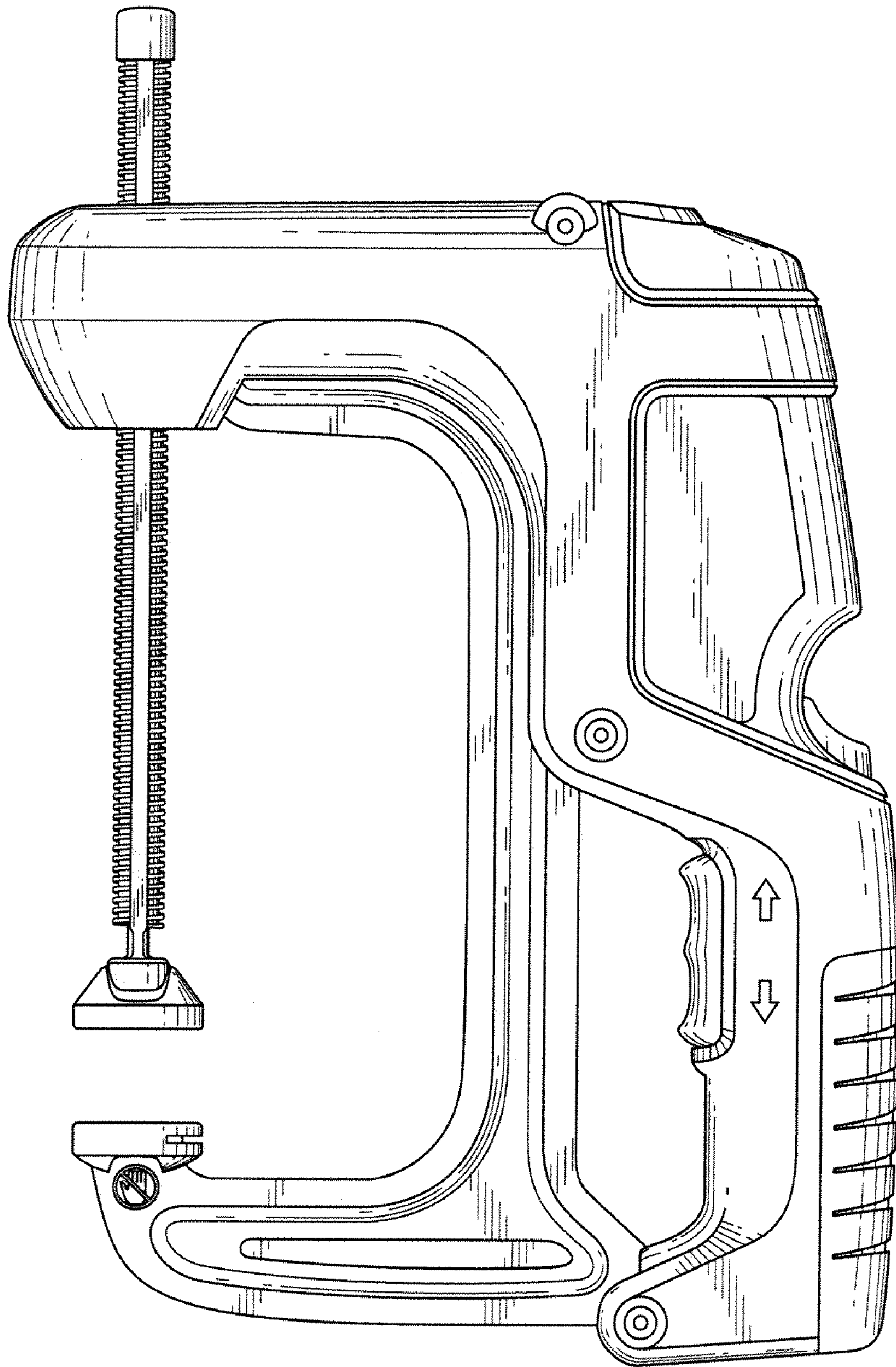


Fig. 3

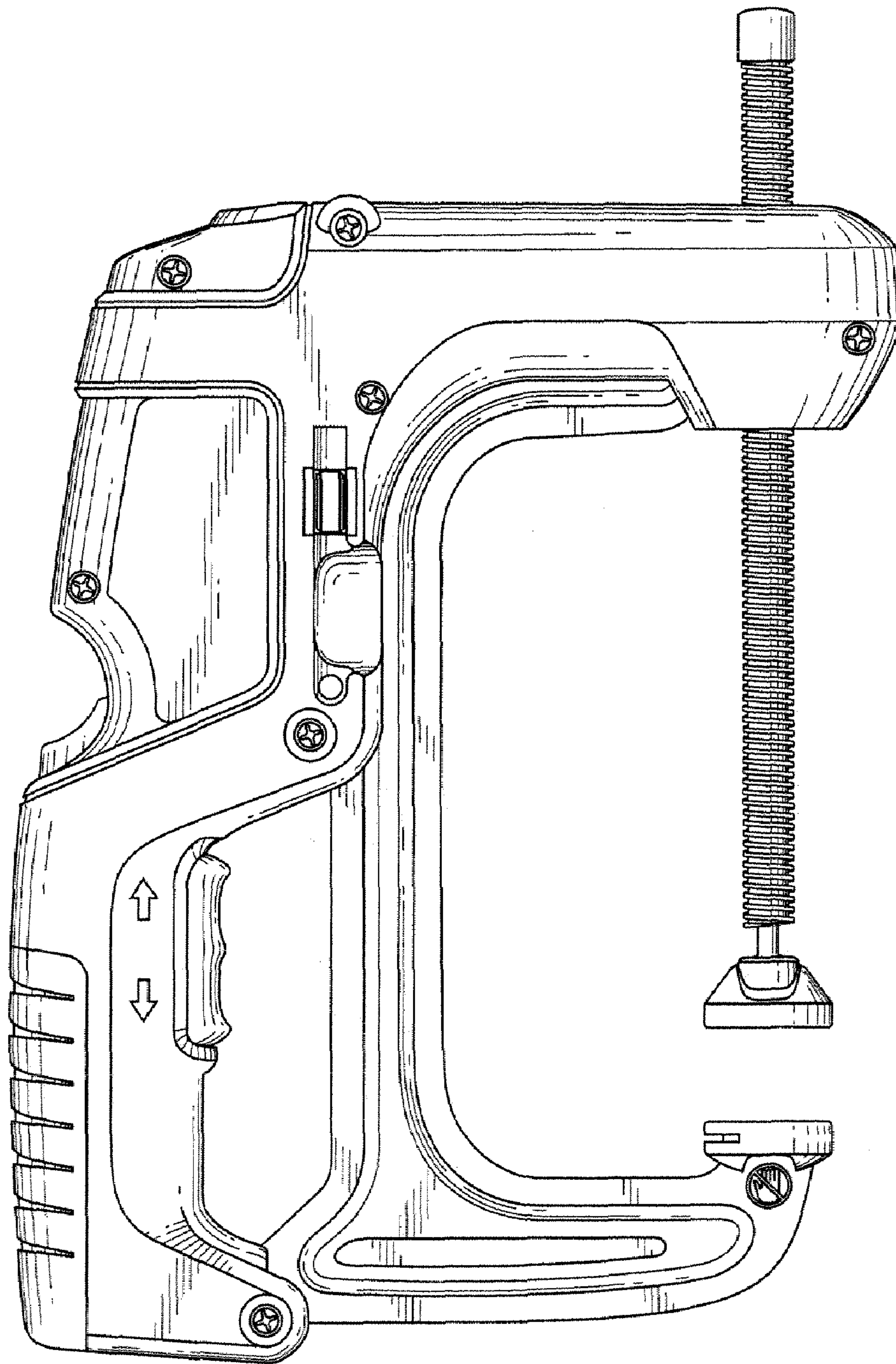


Fig. 4

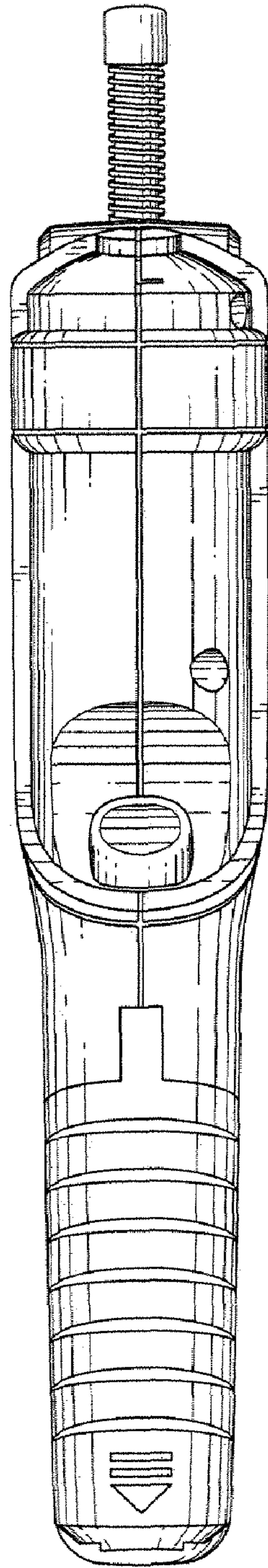


Fig. 5

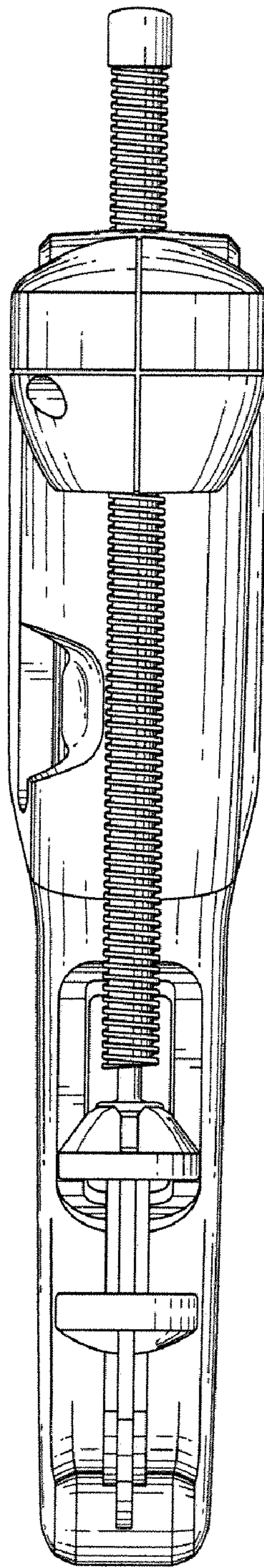


Fig. 6

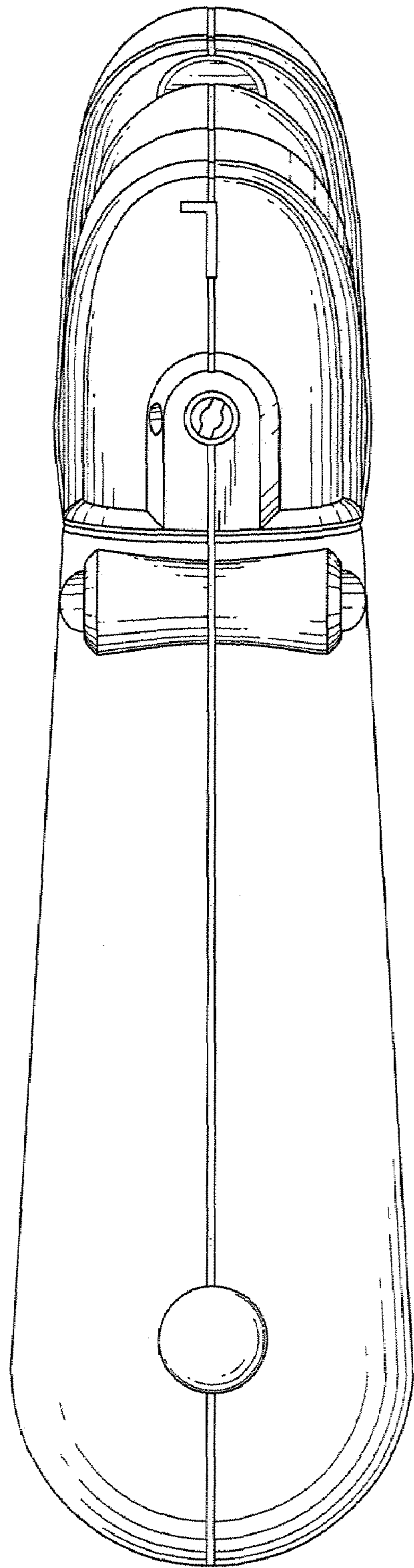


Fig. 7

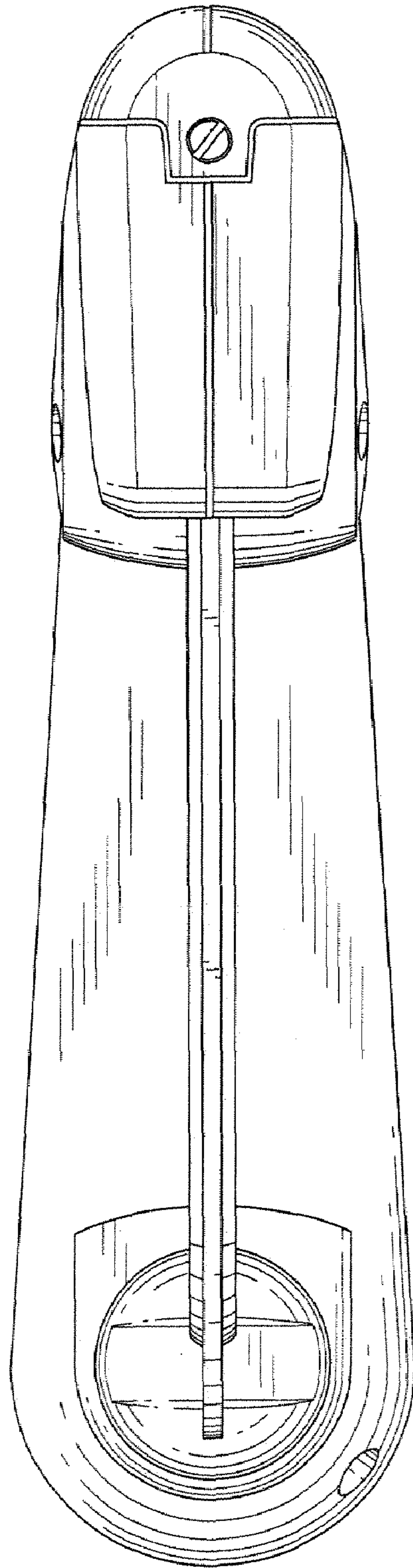


Fig. 8