



US00D557580S

(12) **United States Design Patent** (10) **Patent No.:** **US D557,580 S**
Aglassinger (45) **Date of Patent:** **** Dec. 18, 2007**

(54) **ANGLE GRINDER**

(75) Inventor: **Hans-Peter Aglassinger**, Esslingen (DE)

(73) Assignee: **Robert Bosch GmbH**, Stuttgart (DE)

(**) Term: **14 Years**

(21) Appl. No.: **29/275,655**

(22) Filed: **Jan. 3, 2007**

(30) **Foreign Application Priority Data**

Aug. 7, 2006 (EM) 000573084

(51) **LOC (8) Cl.** **08-01**

(52) **U.S. Cl.** **D8/62**

(58) **Field of Classification Search** D8/69,
D8/67, 62, 61; 451/359, 358, 357, 356, 354,
451/353, 351, 344, 294; 173/168

See application file for complete search history.

(56) **References Cited**

U.S. PATENT DOCUMENTS

D255,417 S *	6/1980	Sakamoto et al.	D8/62
D297,907 S *	10/1988	Hoshimo et al.	D8/62
D305,399 S *	1/1990	Fushiya et al.	D8/62
D322,016 S *	12/1991	Thurler et al.	D8/62
6,241,594 B1 *	6/2001	Lepold	451/359
6,527,630 B2 *	3/2003	Mannsperger et al.	451/344
D475,263 S *	6/2003	Andriolo	D8/62
D494,827 S *	8/2004	Liu	D8/62
D498,653 S *	11/2004	Wu	D8/62
D506,662 S *	6/2005	Watson	D8/62
D522,334 S *	6/2006	Waldron	D8/62
D523,308 S *	6/2006	Corcoran	D8/62
D524,129 S *	7/2006	Waldron	D8/62

* cited by examiner

Primary Examiner—Cathron C. Brooks

Assistant Examiner—Austin Murphy

(74) *Attorney, Agent, or Firm*—Michael J. Striker

(57) **CLAIM**

The ornamental design for an angle grinder, as shown and described.

DESCRIPTION

FIG. 1 is a top perspective view of an angle grinder showing my new design;

FIG. 2 is a side view thereof;

FIG. 3 is the opposite side view of FIG. 2 thereof;

FIG. 4 is a front view thereof;

FIG. 5 is a rear view thereof;

FIG. 6 is a top view thereof; and

FIG. 7 is a bottom view thereof.

FIG. 8 is a first alternate embodiment of my new design for an angle grinder;

FIG. 9 is a side view thereof;

FIG. 10 is the opposite side view of FIG. 9 thereof;

FIG. 11 is a front view thereof;

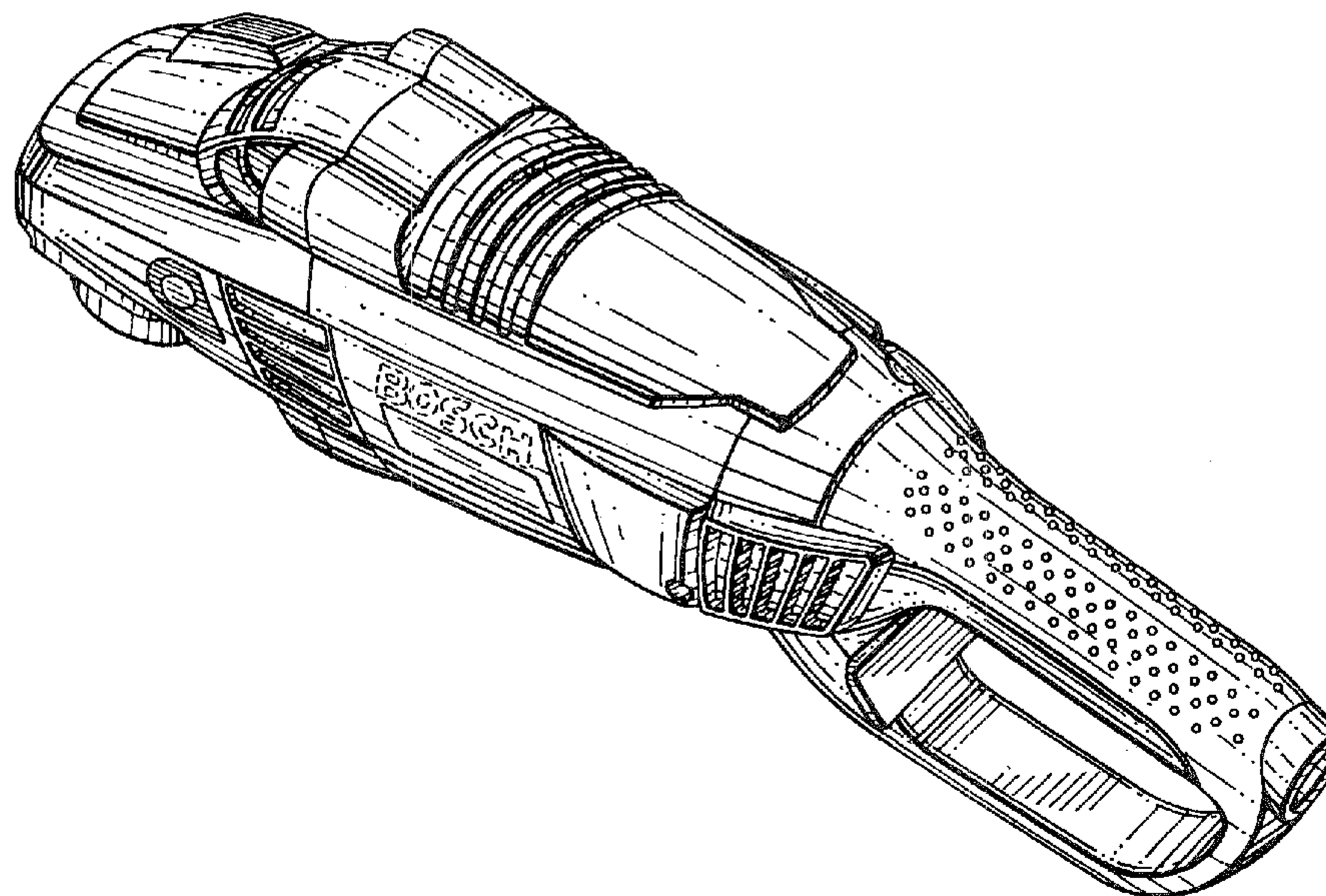
FIG. 12 is a rear view thereof;

FIG. 13 is a top view thereof; and,

FIG. 14 is a bottom view thereof.

The broken line showing of the interior elements of the angle grinder head forms no part of the claimed design.

1 Claim, 8 Drawing Sheets



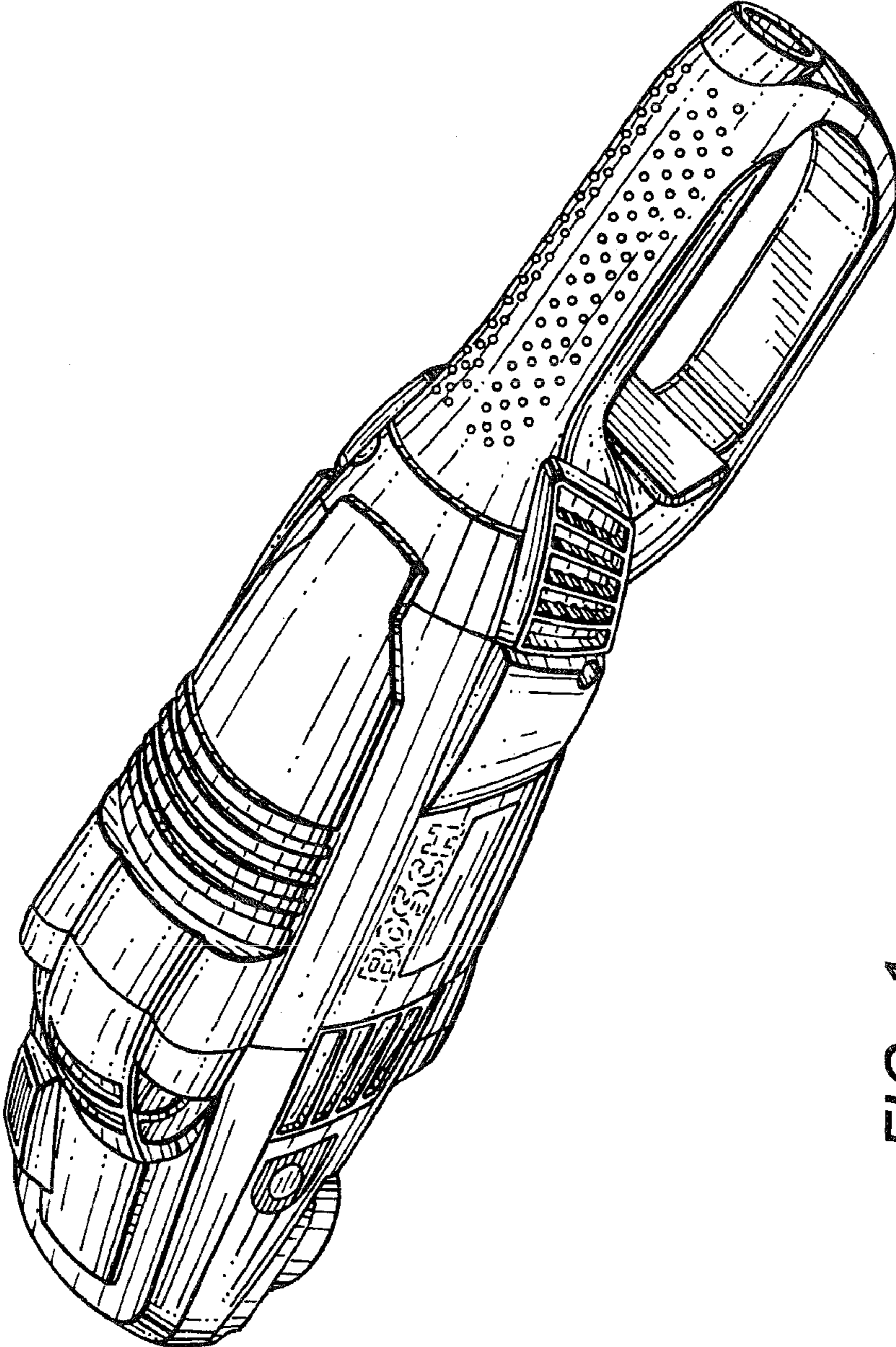


FIG. 1

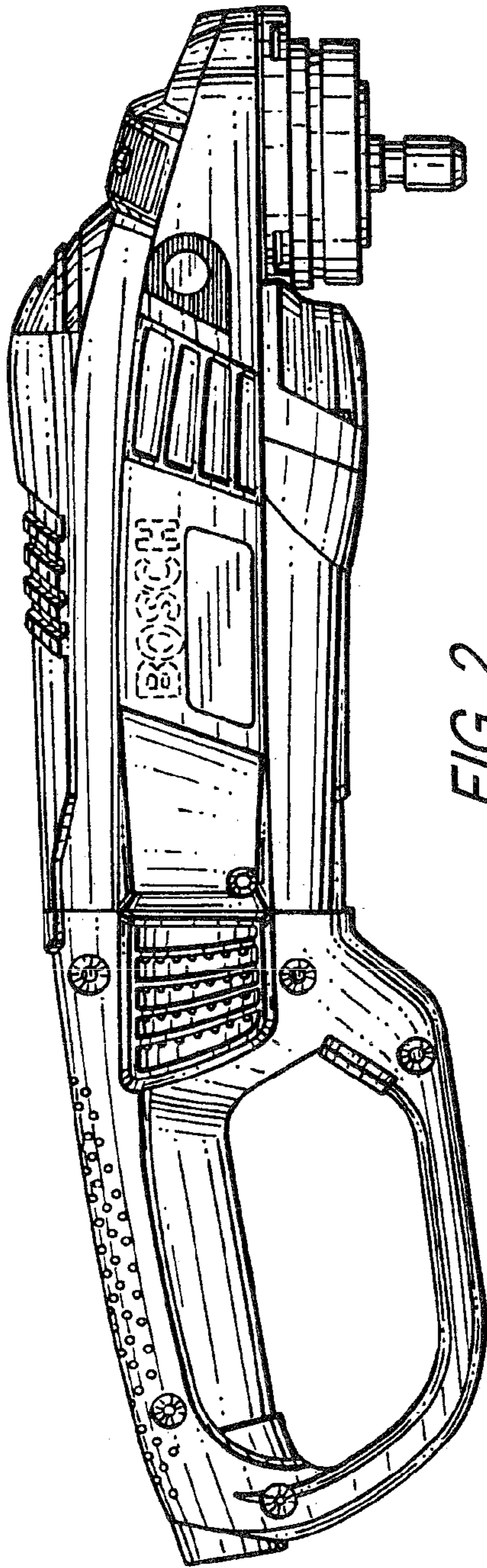


FIG. 2

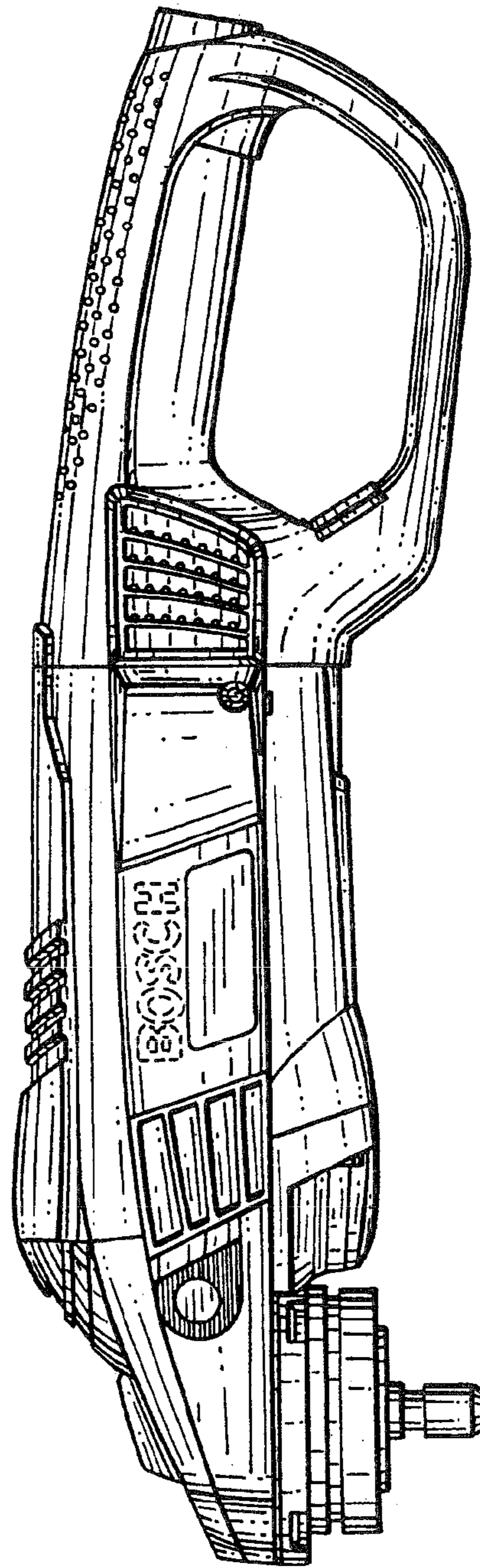


FIG. 3

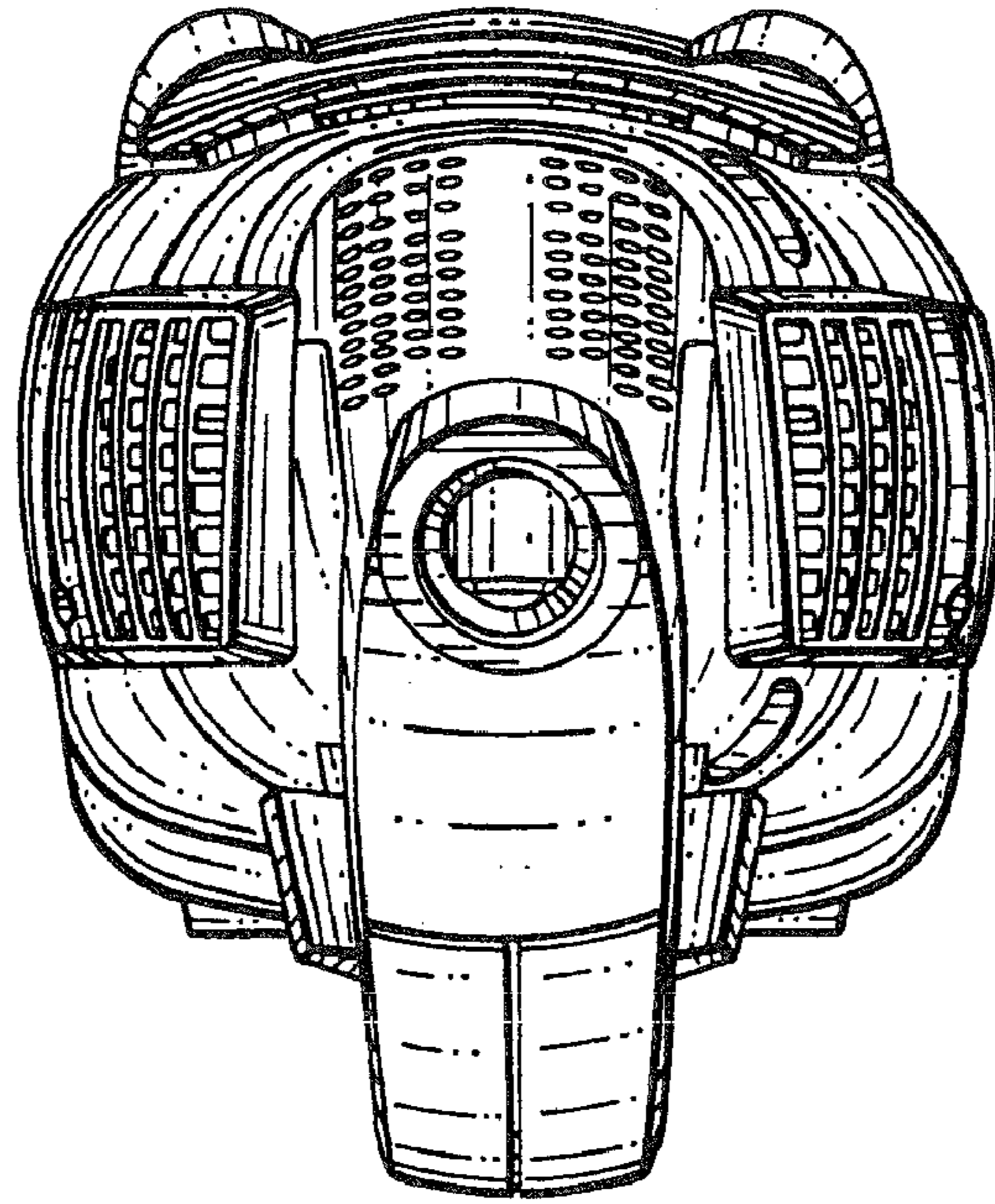


FIG. 4

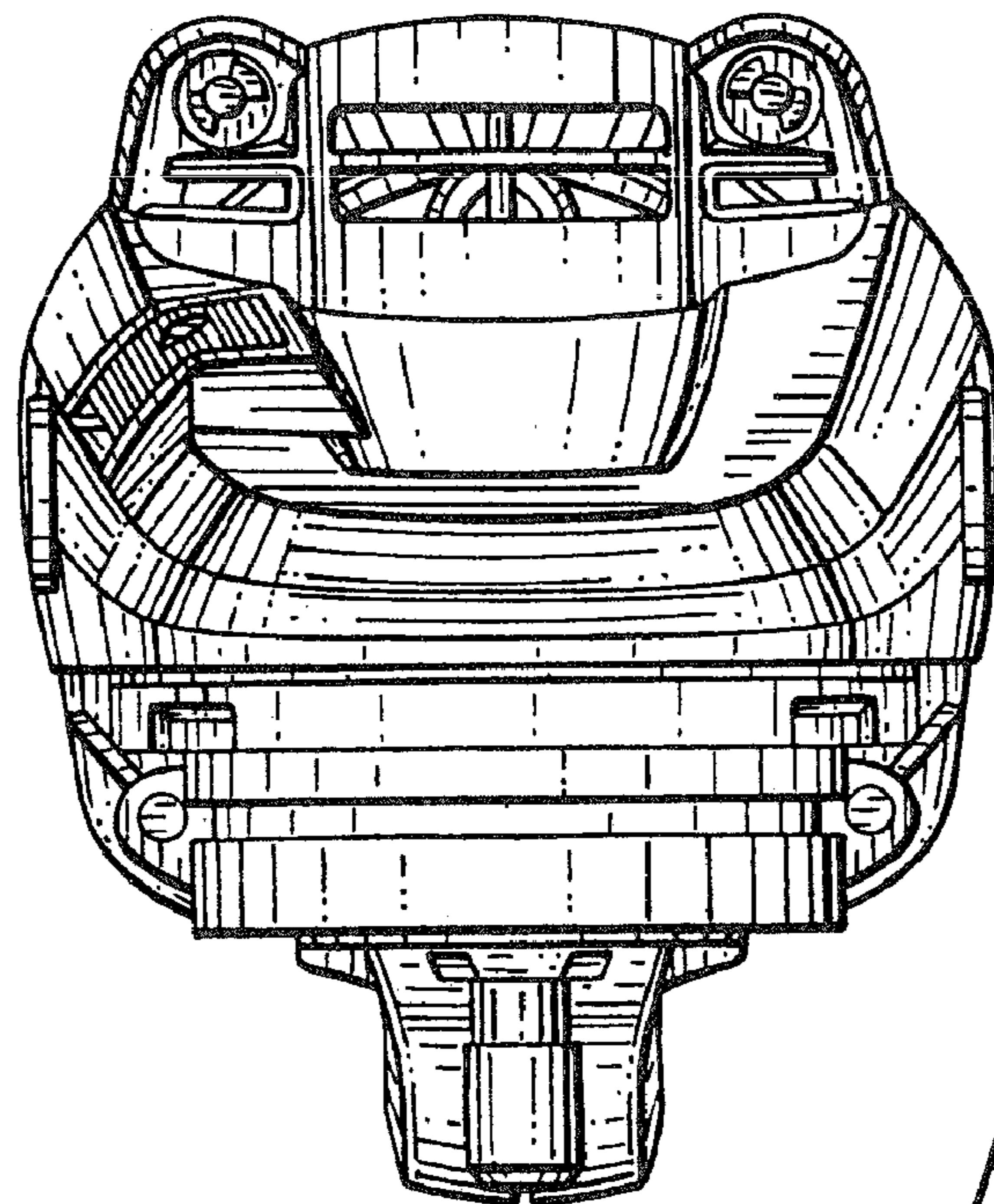


FIG. 5

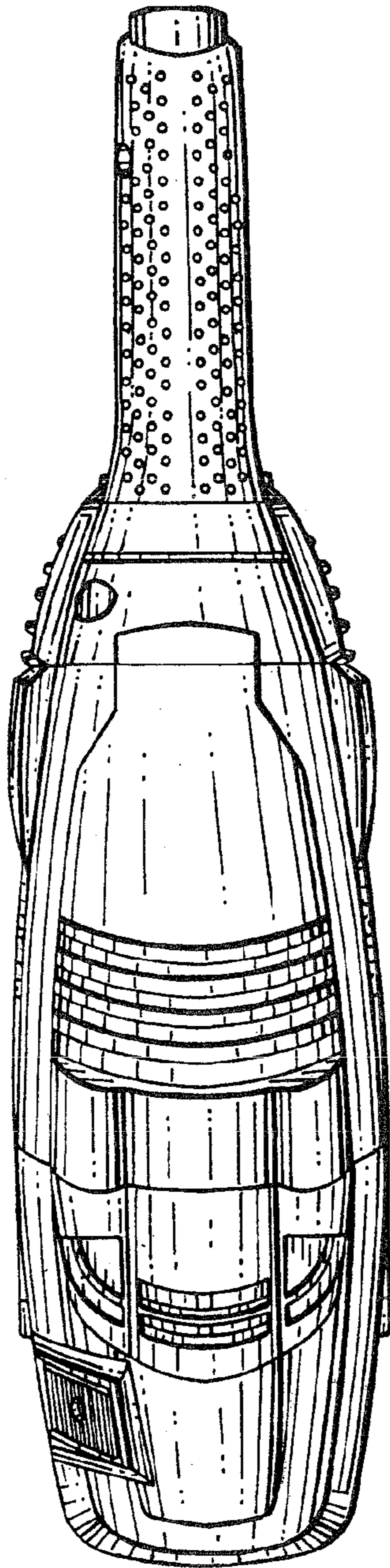


FIG. 6

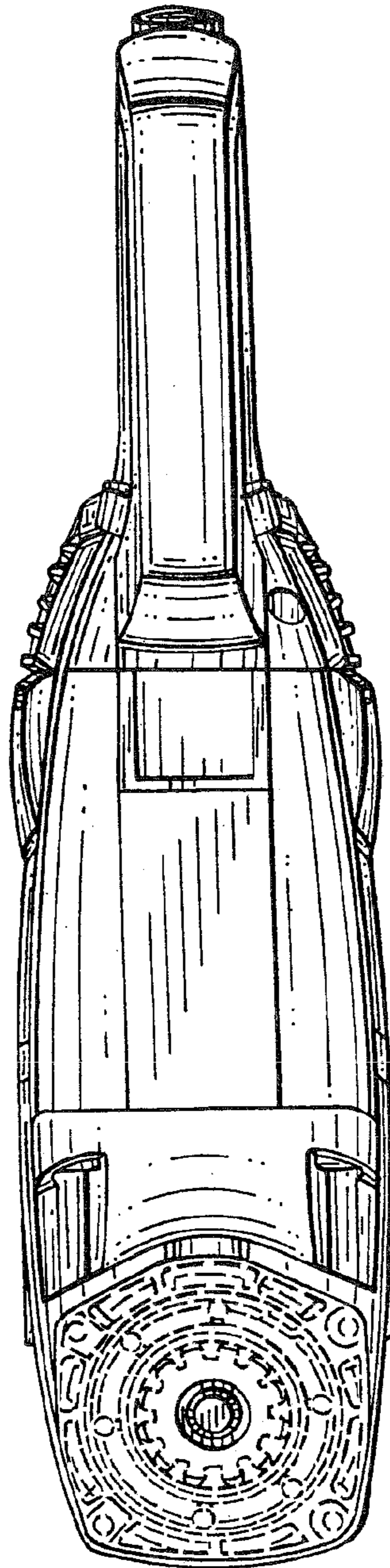


FIG. 7

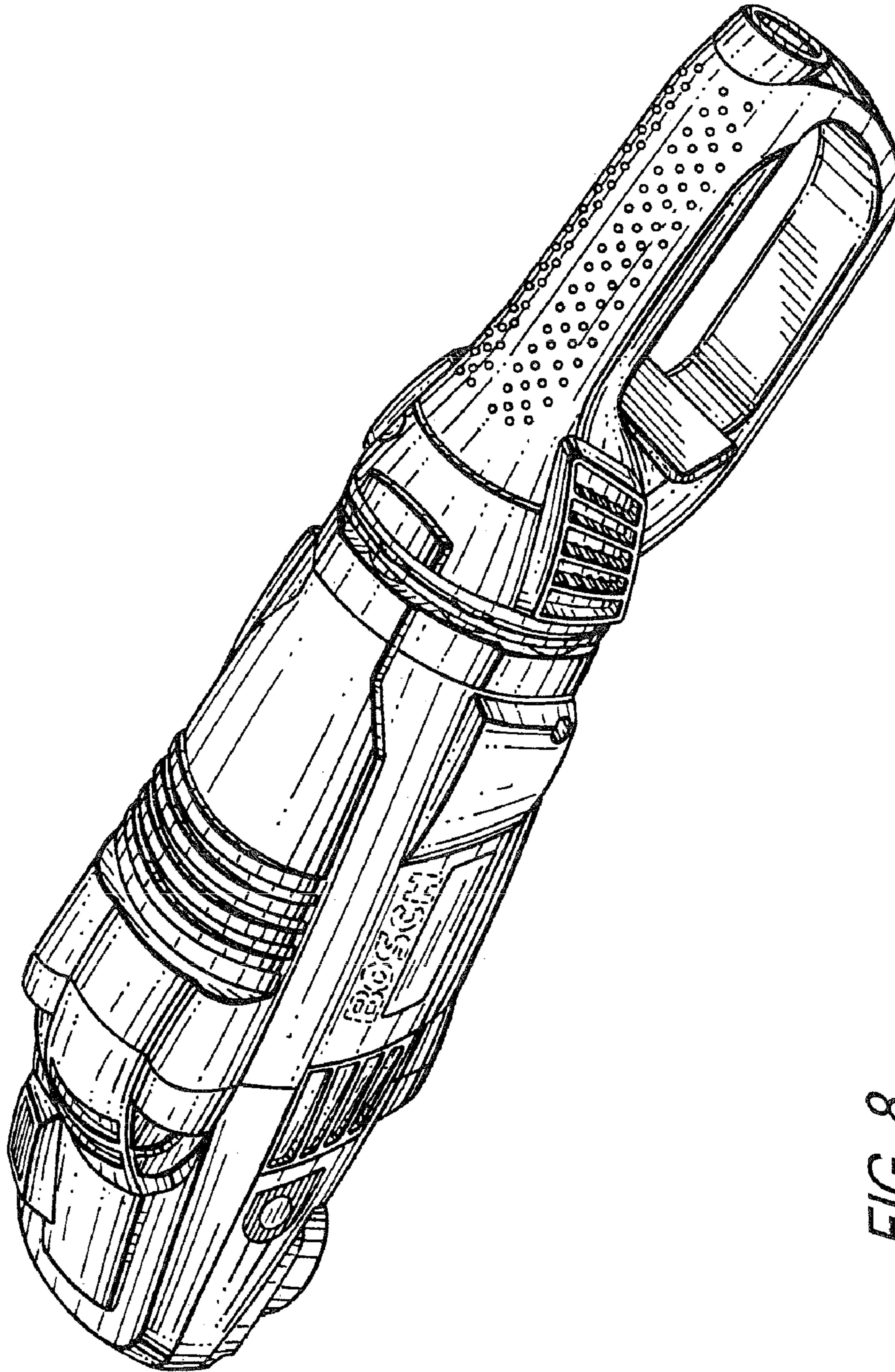


FIG. 8

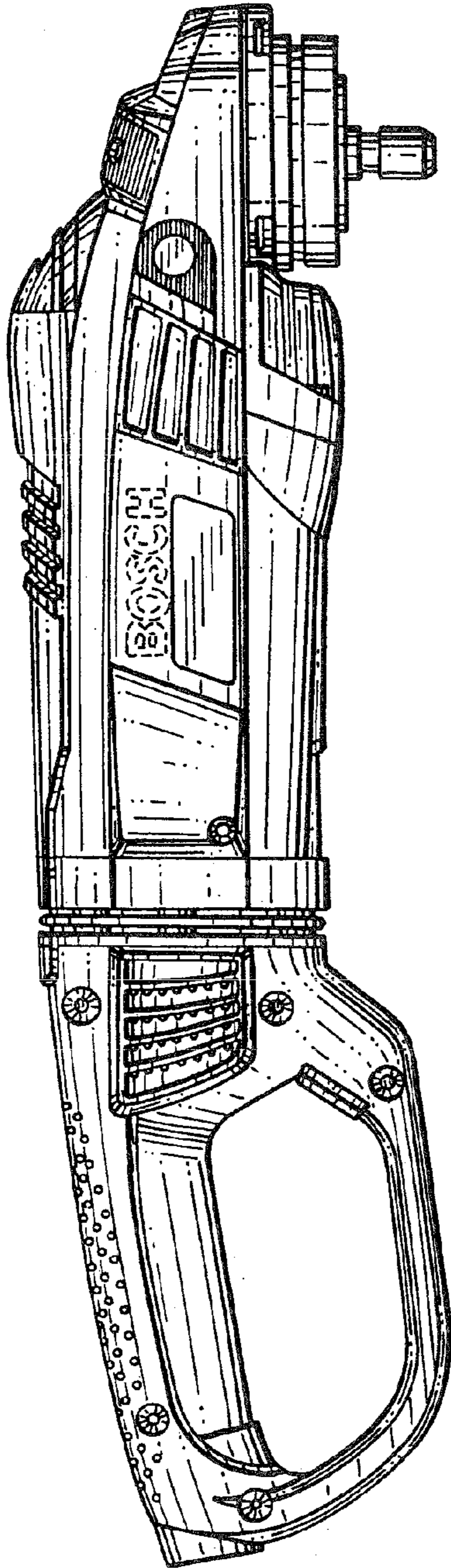


FIG. 9

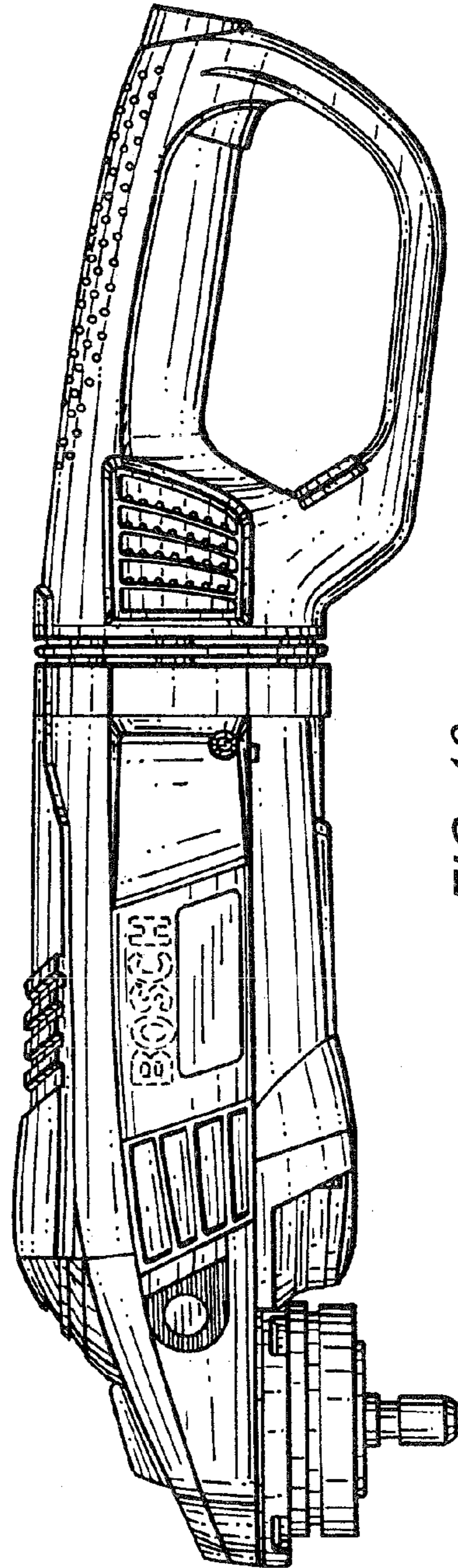


FIG. 10

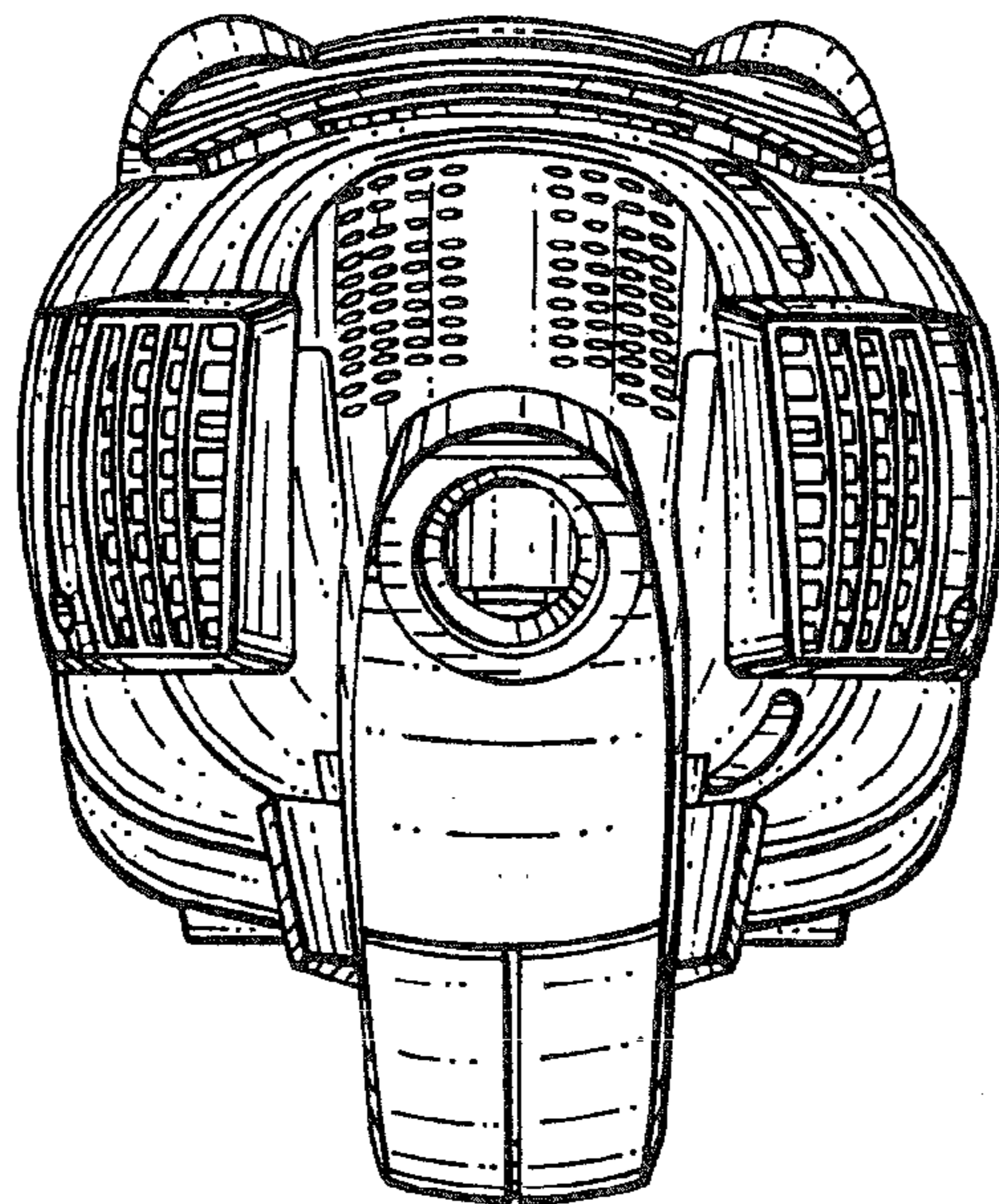


FIG. 11

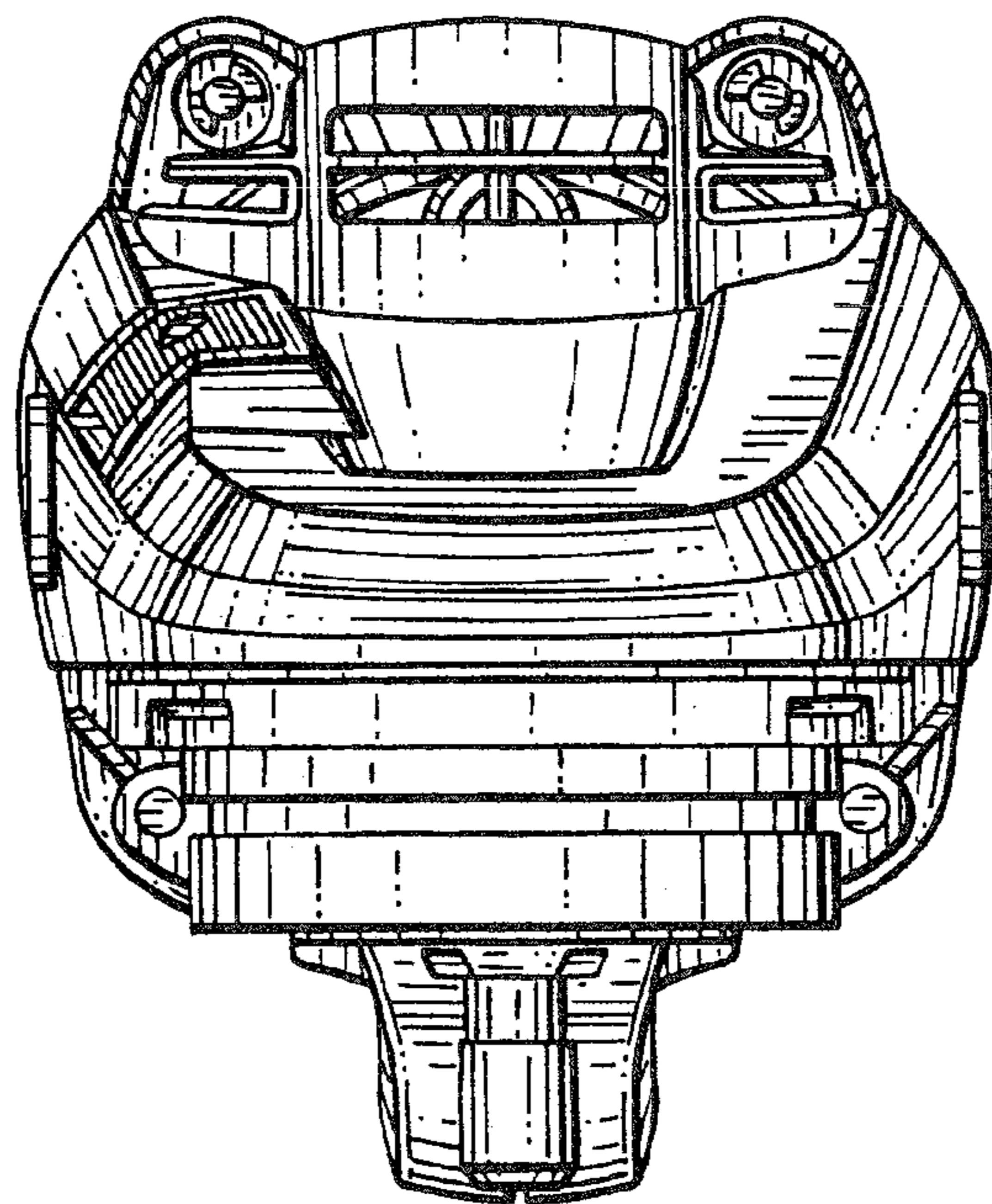


FIG. 12

