



US00D557579S

(12) **United States Design Patent** (10) **Patent No.:** **US D557,579 S**
Steiner (45) **Date of Patent:** **** Dec. 18, 2007**

(54) **DUAL POSITION END CONNECTOR ATTACHMENT TOOL**

(75) Inventor: **Richard A. Steiner**, East Haddam, CT (US)

(73) Assignee: **Rostra Tool Company**, Brandford, CT (US)

(**) Term: **14 Years**

(21) Appl. No.: **29/229,987**

(22) Filed: **May 16, 2005**

(51) **LOC (8) Cl.** **08-05**

(52) **U.S. Cl.** **D8/52**

(58) **Field of Classification Search** D8/14,
D8/51, 52, 54; 29/268, 751, 854, 857, 861-865;
30/90.1, 90.4, 90.6, 91.1, 91.2; 72/409.08,
72/409.14, 409.19; 81/9.41-9.44, 300, 324,
81/325, 327, 330, 331, 342, 346, 350, 385,
81/386, 388, 394, 415, 416, 418, 420-423,
81/424.5, 426, 426.5

See application file for complete search history.

(56) **References Cited**

U.S. PATENT DOCUMENTS

3,022,510	A *	2/1962	O'Malley	81/353
3,325,885	A *	6/1967	Ziegler, Jr. et al.	29/751
5,277,089	A *	1/1994	McGushion	81/418
D408,239	S *	4/1999	Steiner et al.	D8/54
6,272,738	B1 *	8/2001	Holliday et al.	29/751
D495,225	S *	8/2004	Kurtz	D8/52
D520,828	S *	5/2006	Steiner	D8/52
7,120,997	B2 *	10/2006	Islam et al.	29/751
D534,412	S *	1/2007	Steiner	D8/107

* cited by examiner

Primary Examiner—Alan P. Douglas
Assistant Examiner—Deanna Fluegeman
(74) *Attorney, Agent, or Firm*—John H. Crozier

(57) **CLAIM**

The ornamental design for a dual position end connector attachment tool, as shown and described.

DESCRIPTION

FIG. 1 is a right side/top/front perspective view of a dual position end connector attachment tool of my new design, with the support plate thereof in raised position;

FIG. 2 is a right side/top/front perspective view thereof, with the support plate in lowered position;

FIG. 3 is a front elevational view thereof, with the support plate in raised position and with the tool in closed position;

FIG. 4 is a front elevational view thereof; with the support plate in raised position and with the tool in open position; the rear elevational view is identical to the front elevational view except for the absence of the locking arm;

FIG. 5 is a top plan view thereof;

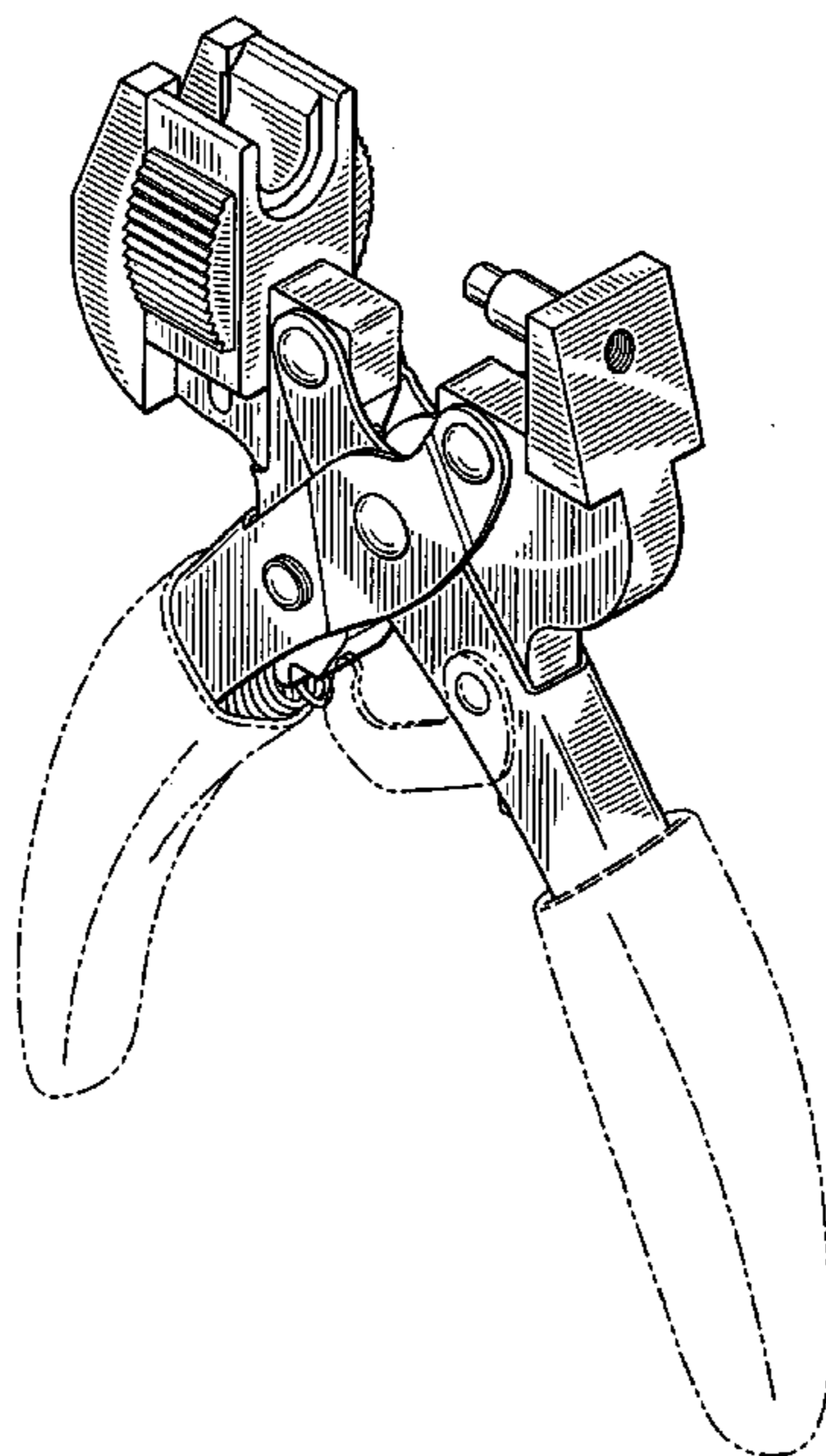
FIG. 6 is a bottom plan view thereof;

FIG. 7 is a right side elevational view thereof, with the support plate in raised position;

FIG. 8 is left side elevational view thereof, with the support plate in raised position; and,

FIG. 9 is a left side elevational view thereof, with the support plate in lowered position; it being understood that the matter shown in broken lines is for illustrative purposes only and forms no part of the claimed design.

1 Claim, 5 Drawing Sheets



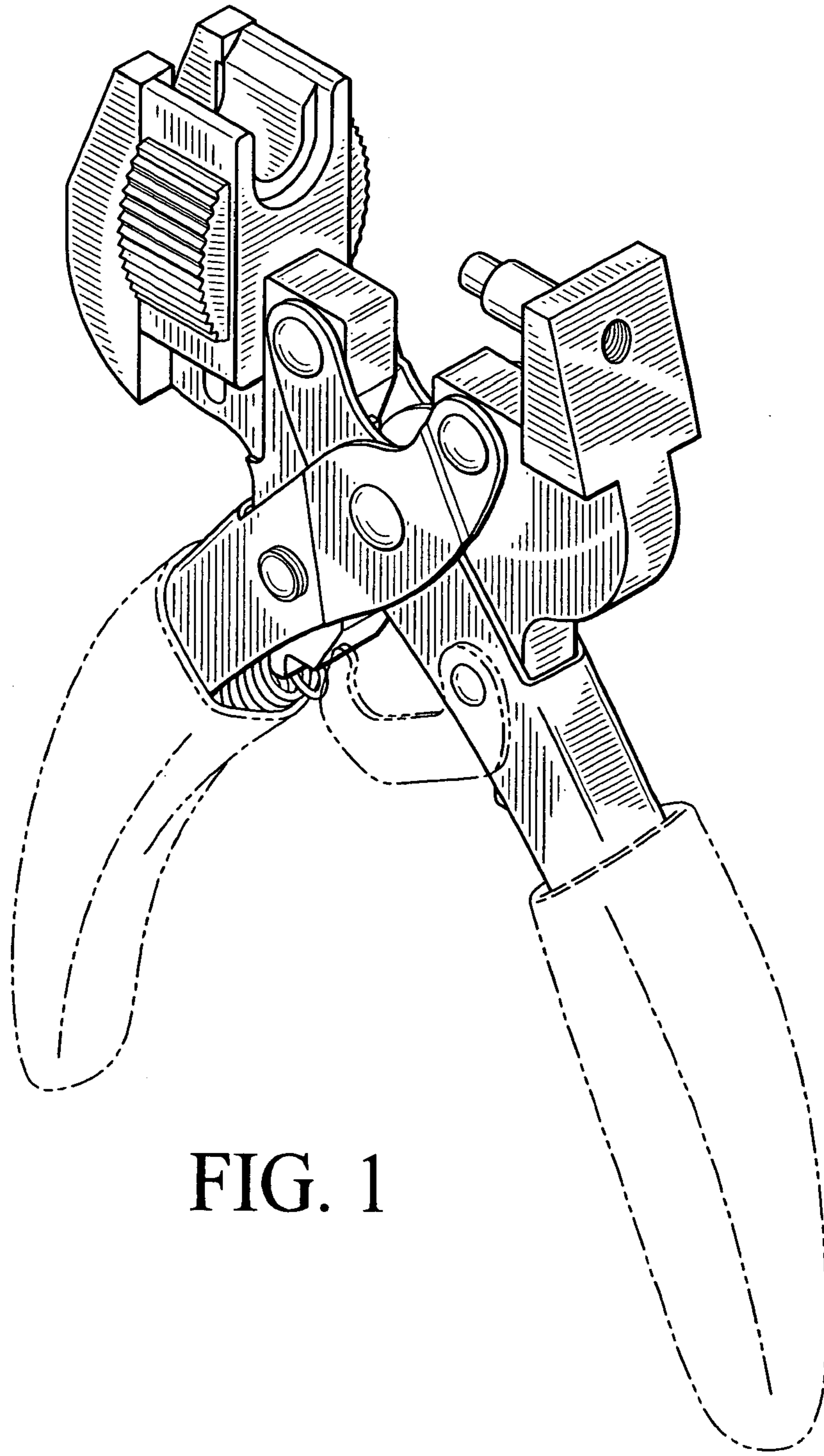


FIG. 1

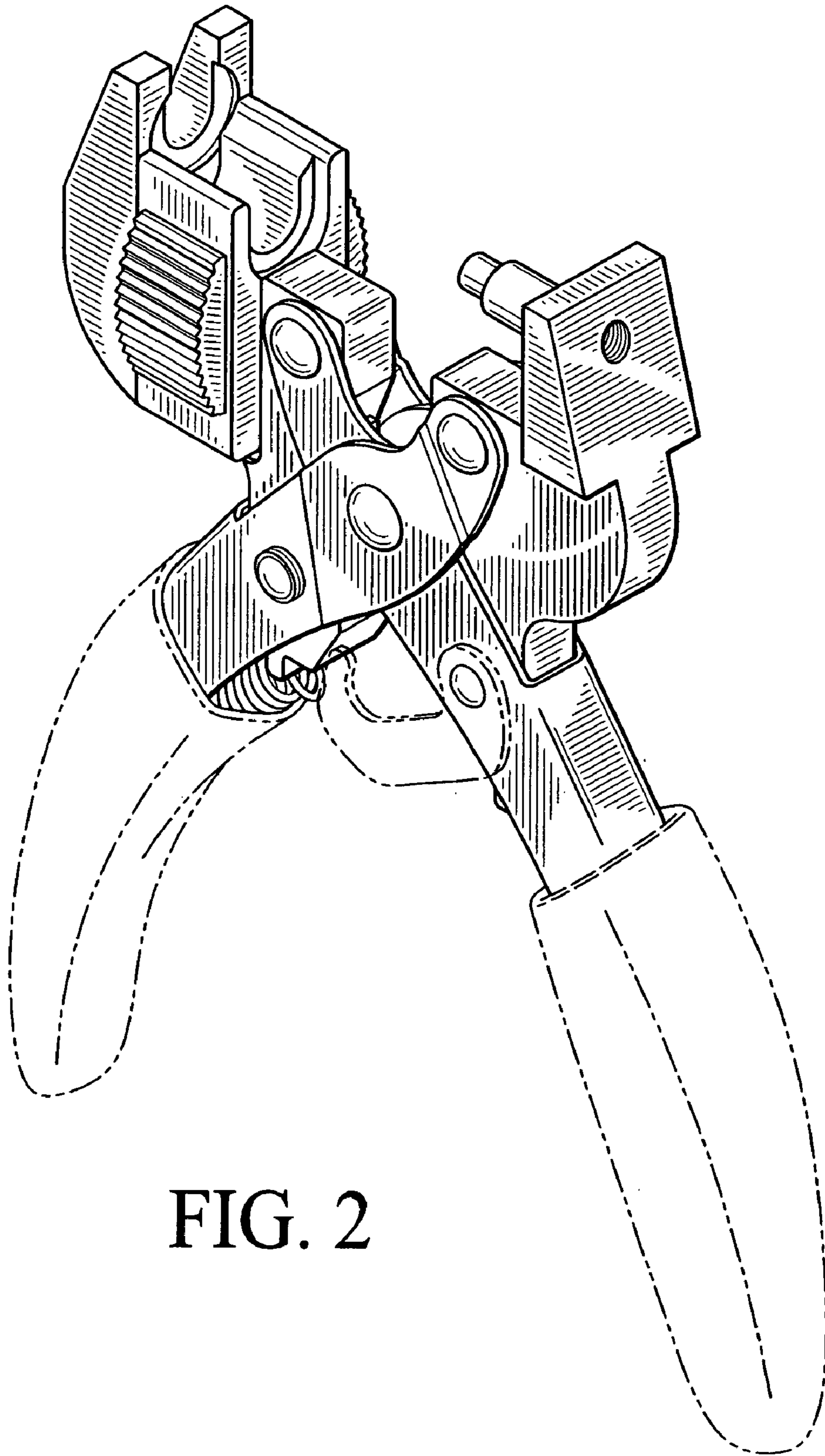


FIG. 2

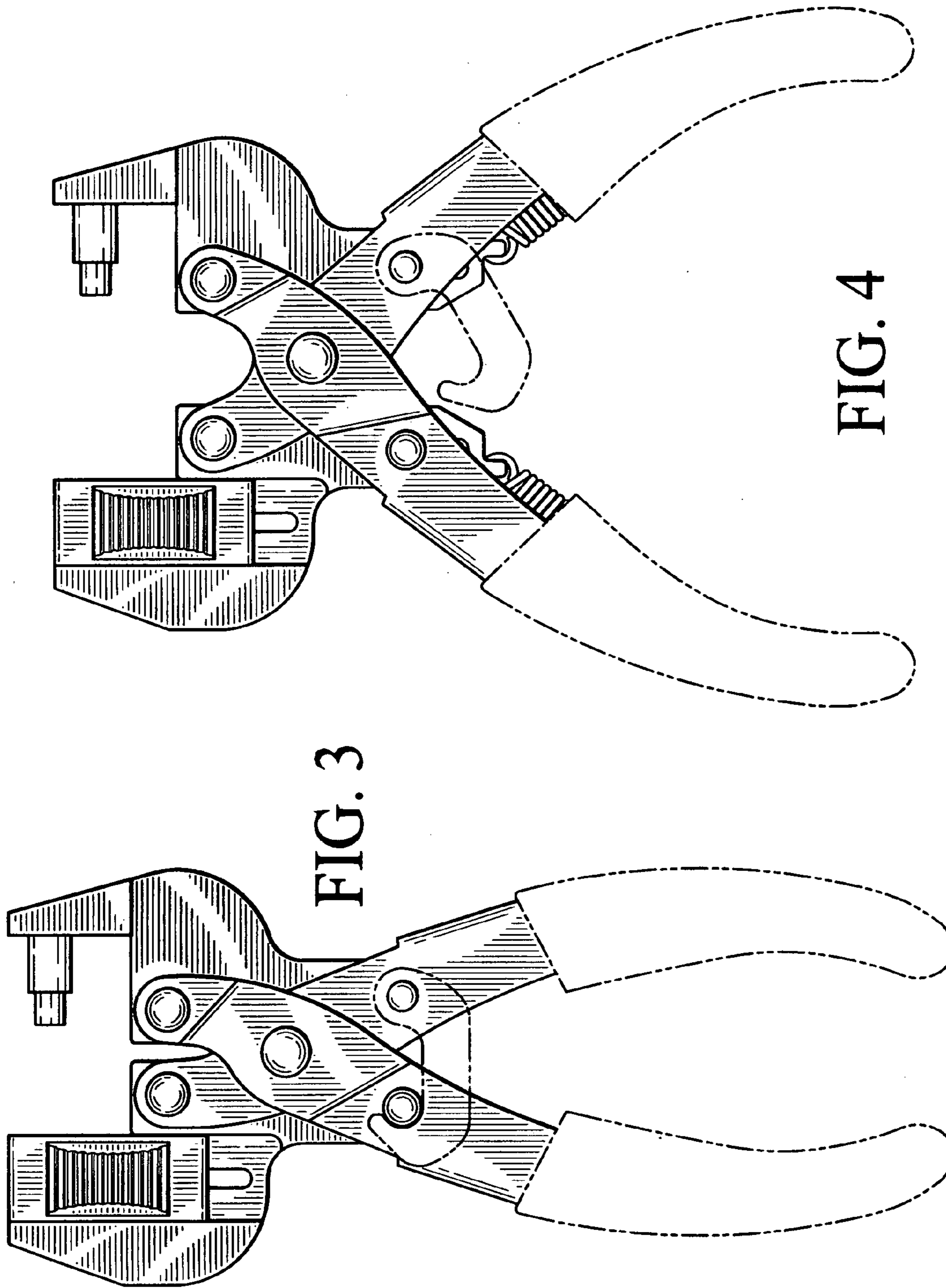


FIG. 3

FIG. 4

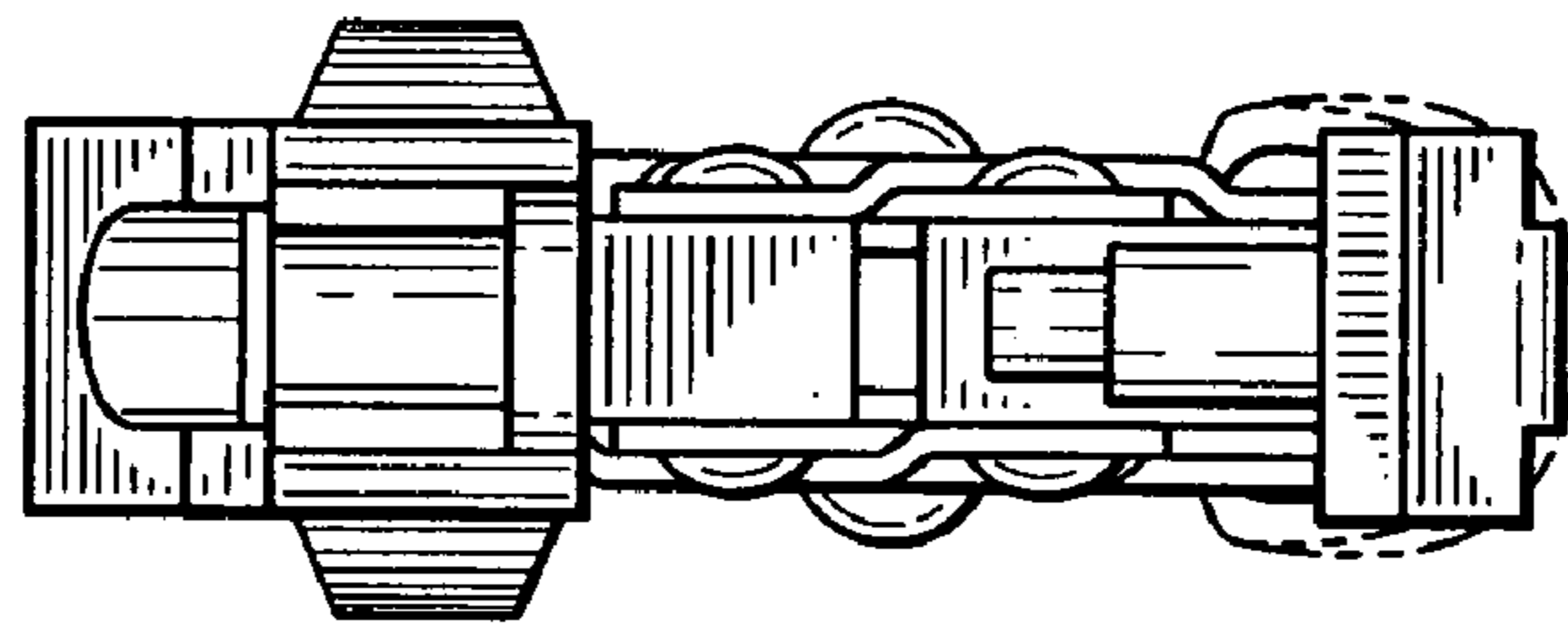


FIG. 5

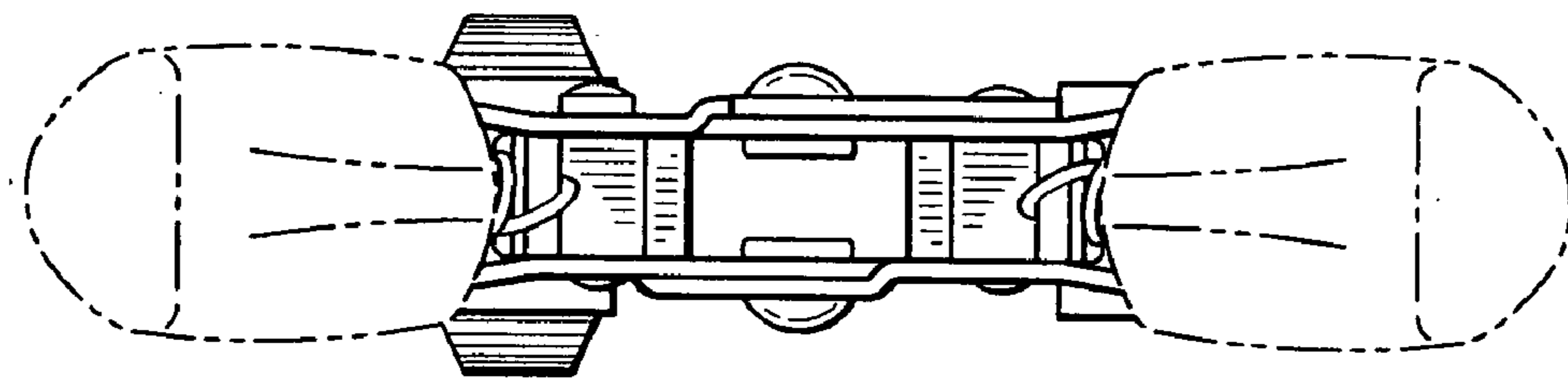


FIG. 6

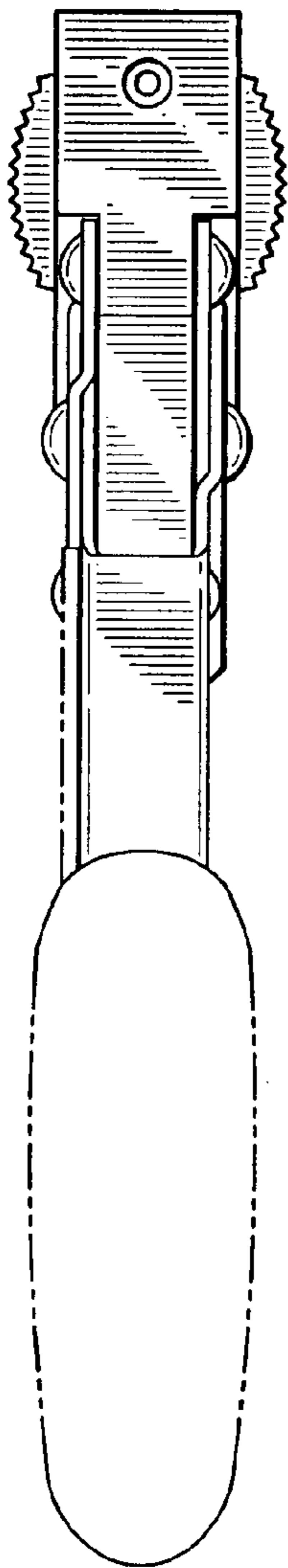


FIG. 7

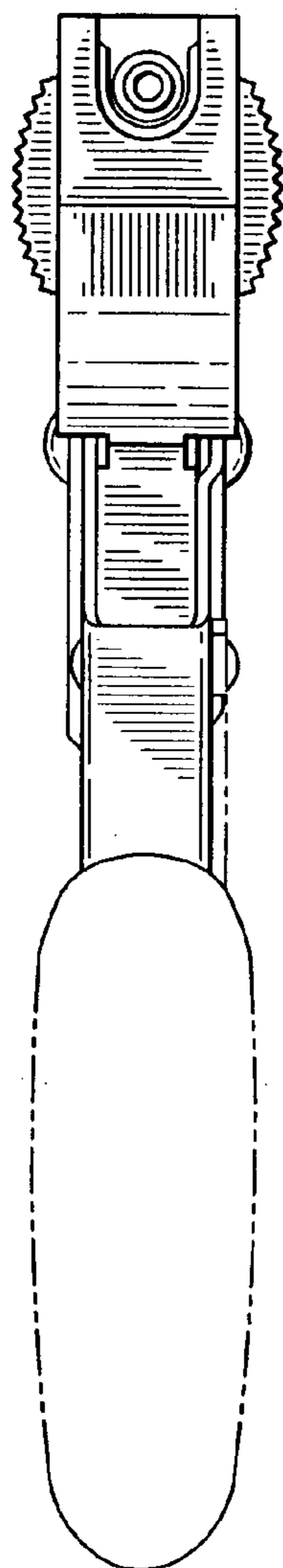


FIG. 8

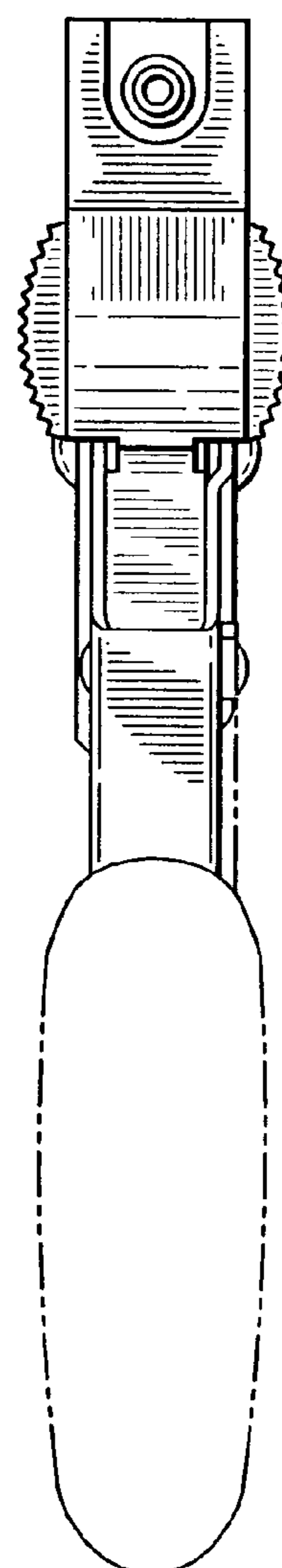


FIG. 9