



US00D557575S

(12) **United States Design Patent**
Jennings

(10) **Patent No.:** **US D557,575 S**

(45) **Date of Patent:** **** Dec. 18, 2007**

(54) **VEHICLE ANTENNA WRENCH**

(76) Inventor: **Kelvin Lee Jennings**, 730 Area,
McHenry, IL (US) 60051

(**) Term: **14 Years**

(21) Appl. No.: **29/280,038**

(22) Filed: **May 15, 2007**

Related U.S. Application Data

(62) Division of application No. 29/250,234, filed on Nov. 7, 2006, now Pat. No. Des. 546,649.

(51) **LOC (8) Cl.** **08-05**

(52) **U.S. Cl.** **D8/27**

(58) **Field of Classification Search** D8/17,
D8/21-29, 107; 81/60-63.2, 177.1, 177.85,
81/177.8, 489, 125.1, 121.1, 119-120, 176.1,
81/186, 177.9, 185.1; 206/378

See application file for complete search history.

(56) **References Cited**

U.S. PATENT DOCUMENTS

D130,756 S * 12/1941 Howard D8/17
2,898,674 A * 8/1959 Anderson 29/278
3,071,849 A * 1/1963 Krohm 29/270
D264,796 S * 6/1982 Frick et al. D8/17

5,144,869 A * 9/1992 Chow 81/63
D334,693 S * 4/1993 Burke D8/17
5,259,281 A * 11/1993 Burke 81/437
D353,755 S * 12/1994 Lane D8/17
D434,622 S * 12/2000 Jaynes D8/17

* cited by examiner

Primary Examiner—Raphael Barkai

Assistant Examiner—Randall H Gholson

(74) *Attorney, Agent, or Firm*—Mathew R. P. Perrone, Jr.

(57) **CLAIM**

The ornamental design for a vehicle antenna wrench, as shown and described.

DESCRIPTION

FIG. 1 is a top perspective view of the vehicle antenna wrench of my claimed design.

FIG. 2 is an end plan view of my design shown in FIG. 1.

FIG. 3 is the opposite end plan view of that shown in FIG. 2.

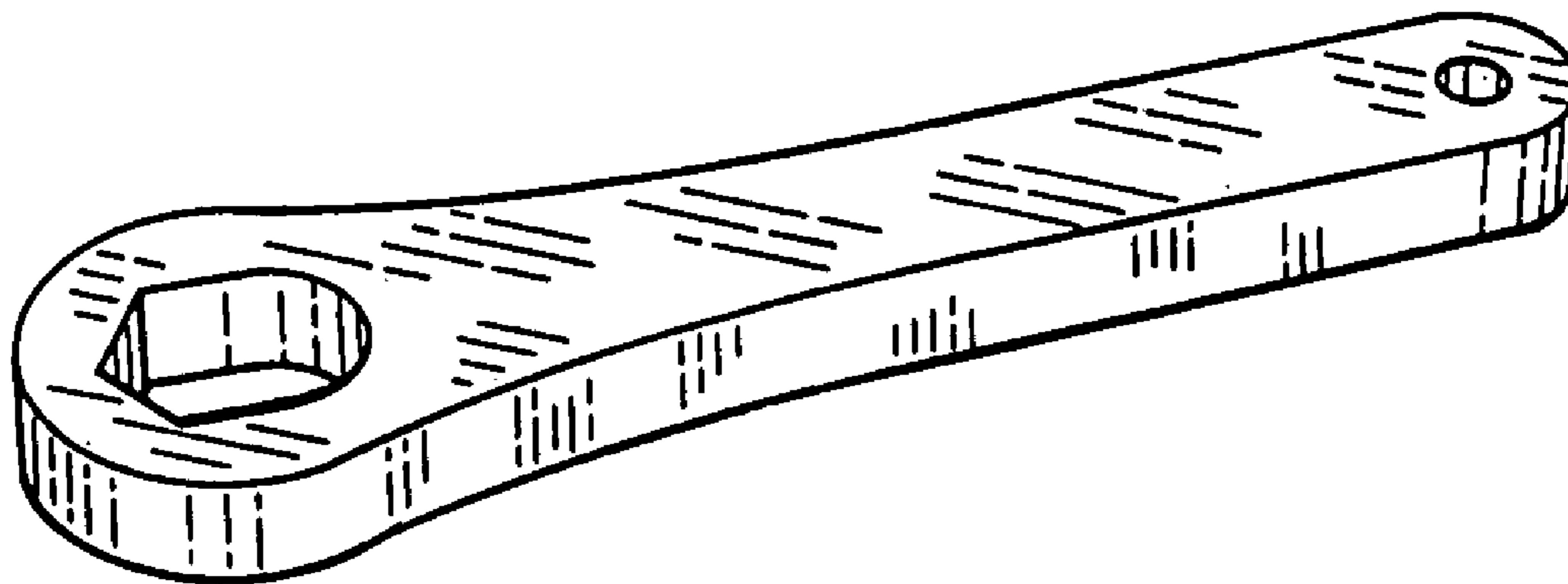
FIG. 4 is a top plan view of my design shown in FIG. 1.

FIG. 5 is a bottom plan view of my design shown in FIG. 1.

FIG. 6 is a side view of my design shown in FIG. 1; and,

FIG. 7 is the opposite side view of that shown in FIG. 6.

1 Claim, 1 Drawing Sheet



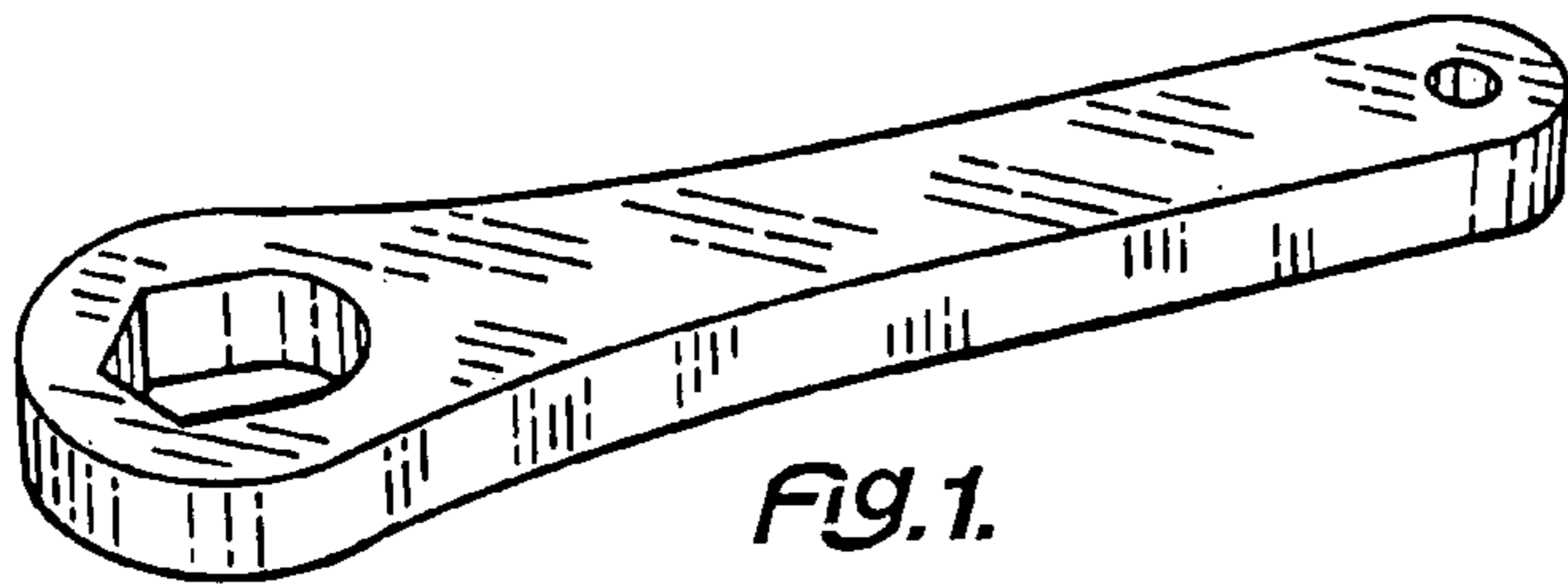


Fig. 1.



Fig. 2.



Fig. 3.



Fig. 4.

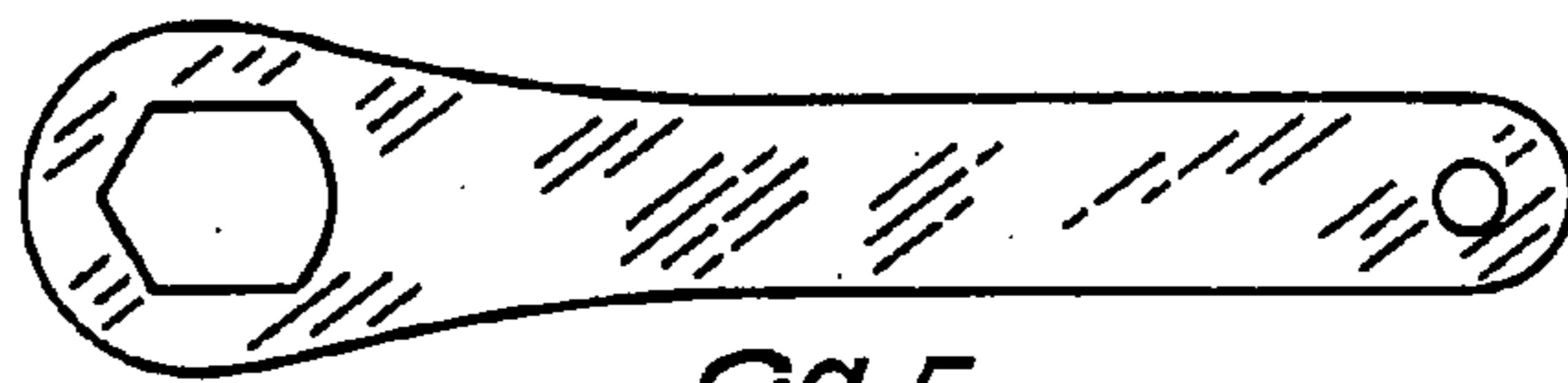


Fig. 5.



Fig. 6.



Fig. 7.