



US00D557572S

(12) **United States Design Patent** (10) **Patent No.:** **US D557,572 S**
Kirsch et al. (45) **Date of Patent:** **** Dec. 18, 2007**

(54) **SIX-SIDED CHOPSTICK WITH TIP THAT HAS ROUGH SURFACE**

(76) Inventors: **Warren J. Kirsch**, 3886 Montego Dr., Huntington Beach, CA (US) 92649;
James Wagner, 3886 Montego Dr., Huntington Beach, CA (US) 92649

(**) Term: **14 Years**

(21) Appl. No.: **29/266,408**

(22) Filed: **Sep. 20, 2006**

(51) **LOC (8) Cl.** **07-03**

(52) **U.S. Cl.** **D7/651**

(58) **Field of Classification Search** D7/393,
D7/401.2, 642-645, 653-668, 683-687;
D19/36, 41, 45-50, 55, 59, 139; D21/440;
30/147-150, 322-328; 34/240; 294/1.1,
294/5.5, 11, 16, 33, 58, 99.1, 99.2, 100, 106,
294/118-119; 401/6, 57

See application file for complete search history.

(56) **References Cited**

U.S. PATENT DOCUMENTS

| | | | | |
|--------------|------|---------|-----------|---------|
| 1,737,798 | A * | 12/1929 | Kinzinger | 401/57 |
| 2,607,988 | A * | 8/1952 | Williams | 30/322 |
| 3,125,038 | A * | 3/1964 | Amato | 34/240 |
| D283,192 | S * | 4/1986 | Kono | D7/642 |
| 5,056,841 | A * | 10/1991 | Yong | 294/1.1 |
| D323,683 | S * | 2/1992 | Isaacs | D21/440 |
| D446,425 | S * | 8/2001 | Wei | D7/642 |
| D464,675 | S * | 10/2002 | Wang | D19/49 |
| D474,240 | S * | 5/2003 | Alderson | D19/49 |
| 6,607,225 | B1 * | 8/2003 | Lai | 294/1.1 |
| 6,648,536 | B1 * | 11/2003 | Bellue | 401/6 |
| D501,877 | S * | 2/2005 | Granick | D19/36 |
| 2002/0096896 | A1 * | 7/2002 | Lai | 294/58 |

FOREIGN PATENT DOCUMENTS

HK 0601511.1M002 * 6/2006

* cited by examiner

Primary Examiner—Cathron C. Brooks

Assistant Examiner—Ricky Pham

(74) *Attorney, Agent, or Firm*—John J. Connors; Connors & Assoc. Inc.

(57) **CLAIM**

The ornamental design for the six-sided chopstick with tip that has rough surface, as shown and described.

DESCRIPTION

FIGS. 1-6 depict one embodiment of this invention where:

FIG. 1 is a perspective view of the six-sided chopstick with tip that has rough surface of this invention looking at the rear end of the chopstick.

FIG. 2 is a perspective view of the six-sided chopstick with tip that has rough surface of this invention looking at the front end of the chopstick.

FIG. 3 is a top view of the six-sided chopstick with tip that has rough surface of this invention.

FIG. 4 is a side view of the six-sided chopstick with tip that has rough surface of this invention.

FIG. 5 is a rear view of the six-sided chopstick with tip that has rough surface of this invention.

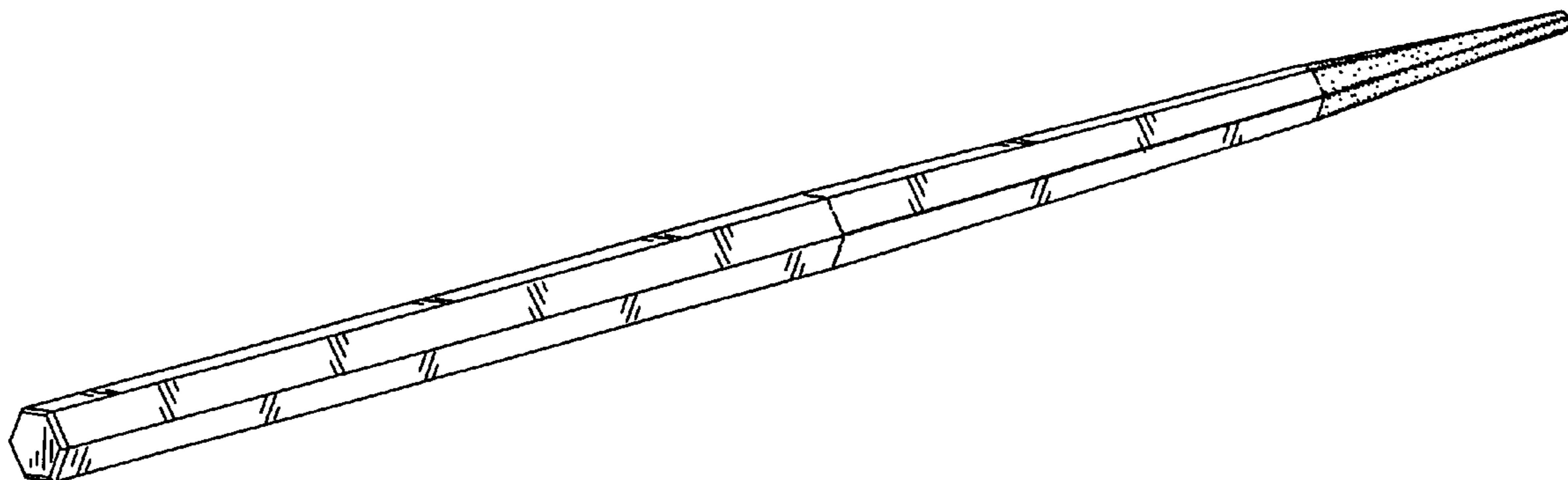
FIG. 6 is a front view of the six-sided chopstick with tip that has rough surface of this invention.

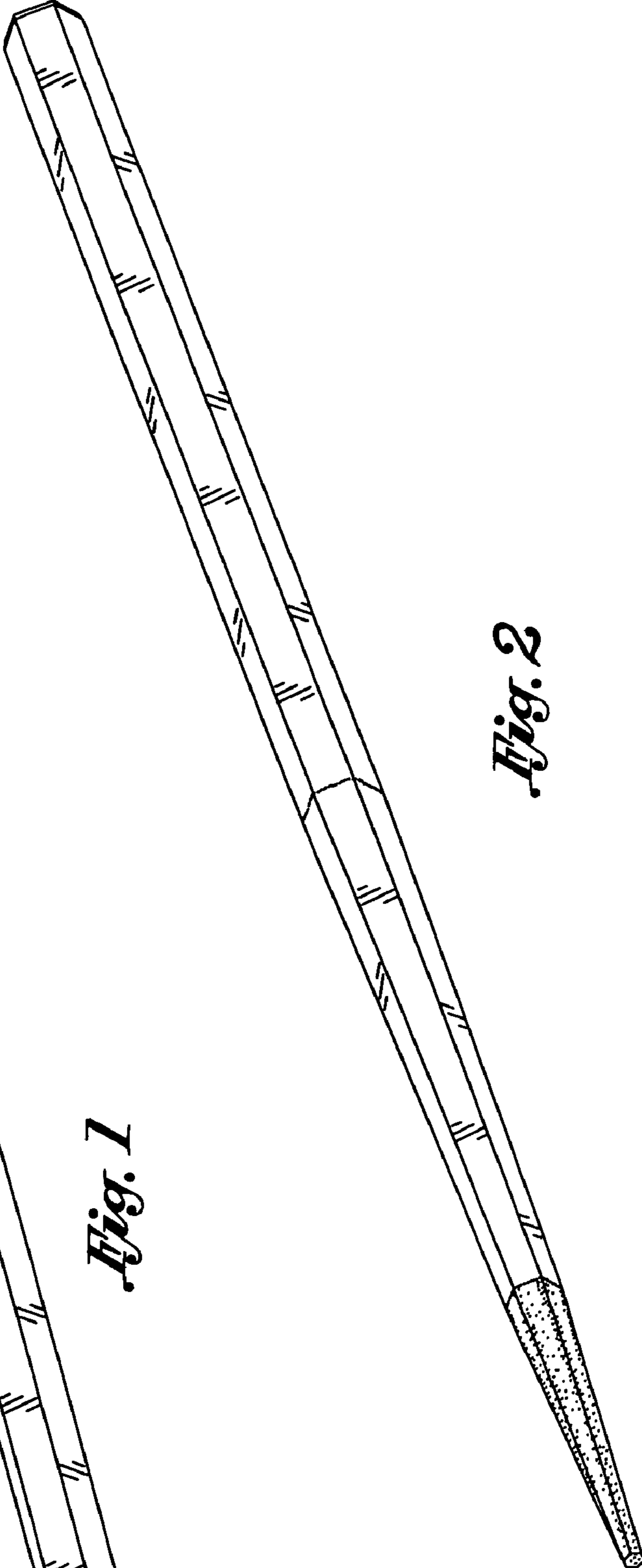
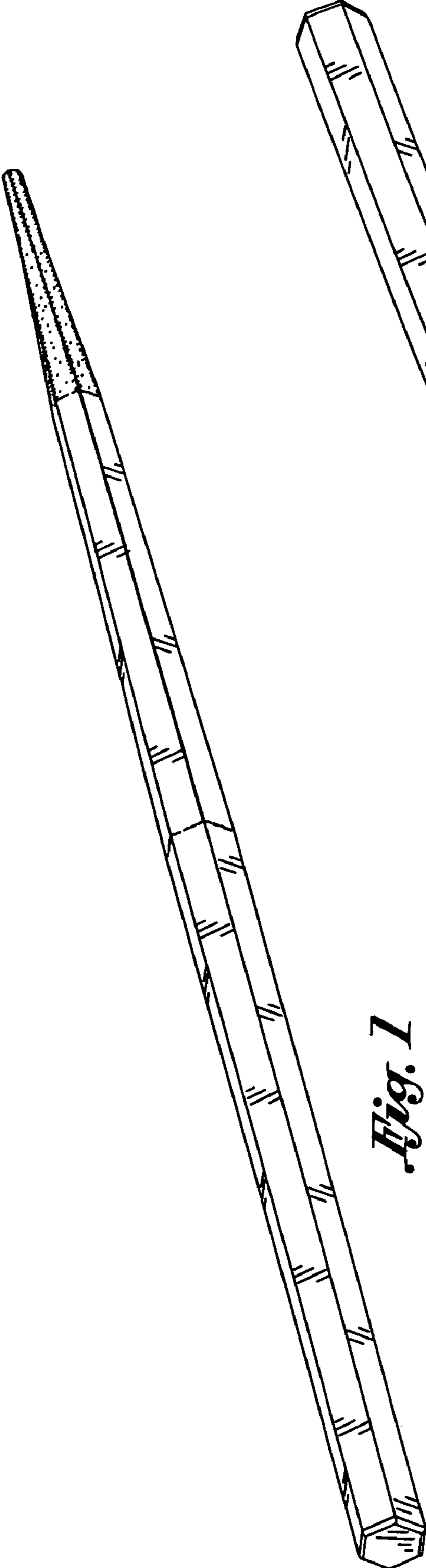
FIGS. 7 through 8 depict another embodiment of this invention differing from the first embodiment in length and the rear and front of this embodiment is identical to that shown in FIGS. 5 and 6, respectively, and where:

FIG. 7 is a top view of the six-sided chopstick with tip that has rough surface of this invention; and,

FIG. 8 is a side view of the six-sided chopstick with tip that has rough surface of this invention.

1 Claim, 3 Drawing Sheets





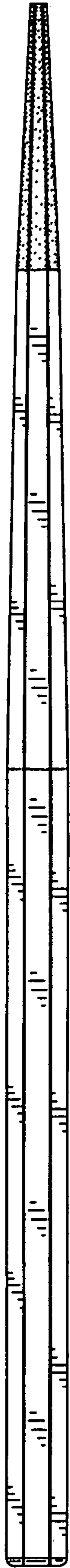


Fig. 3

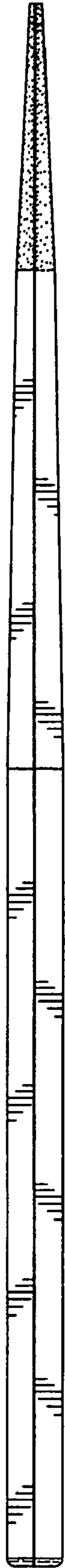


Fig. 4

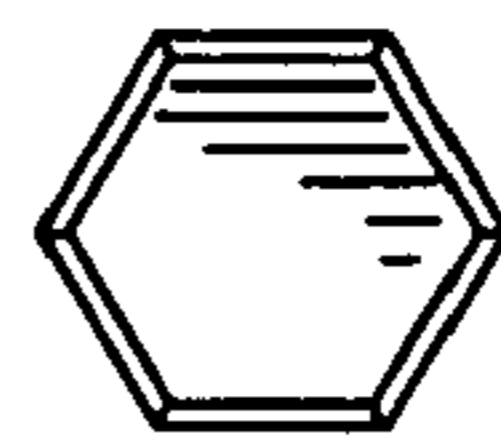


Fig. 5

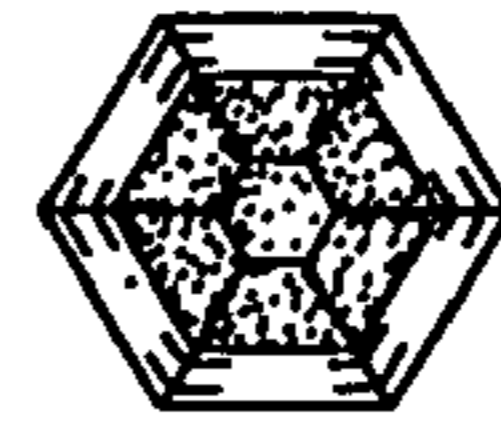


Fig. 6



Fig. 7

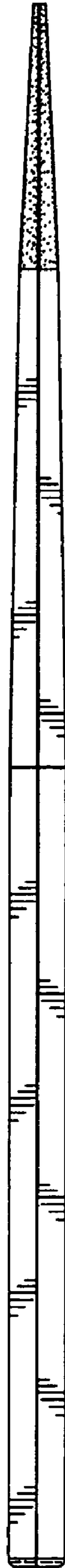


Fig. 8