



US00D557569S

(12) **United States Design Patent**  
**Stamper et al.**

(10) **Patent No.:** **US D557,569 S**

(45) **Date of Patent:** **\*\* Dec. 18, 2007**

(54) **CONTAINER**

D462,880 S \* 9/2002 Maxwell et al. .... D7/629  
D490,278 S \* 5/2004 Welsh ..... D7/629  
D505,839 S \* 6/2005 Stanos et al. .... D7/629

(75) Inventors: **Leonard R. Stamper**, Foothill Ranch,  
CA (US); **Lily Chen**, Ningbo (CN)

\* cited by examiner

(73) Assignee: **LHS International, LLC, a California  
Limited Liability Co.**, Lake Forest, CA  
(US)

*Primary Examiner*—Terry A Wallace  
(74) *Attorney, Agent, or Firm*—Curtis L. Harrington; Kathy  
E. Harrington; Harrington & Harrington

(\*\*) Term: **14 Years**

(57) **CLAIM**

(21) Appl. No.: **29/273,298**

The ornamental design for an container, as shown and  
described.

(22) Filed: **Feb. 28, 2007**

(51) **LOC (8) Cl.** ..... **07-07**

(52) **U.S. Cl.** ..... **D7/629**

(58) **Field of Classification Search** ..... D7/629,  
D7/601, 602, 630, 538-542; D9/414, 761,  
D9/428-432; 229/406, 407; 220/203.01,  
220/780-796

See application file for complete search history.

**DESCRIPTION**

FIG. 1 is a perspective view of the container showing our  
new design, the optional pressure valve in the lid is shown  
in broken lines for illustrative purposes only and forms no  
part of the claimed design;

FIG. 2 is a top view;

FIG. 3 is a right side view, the left side view being identical  
to the right side view;

FIG. 4 is a bottom view; and,

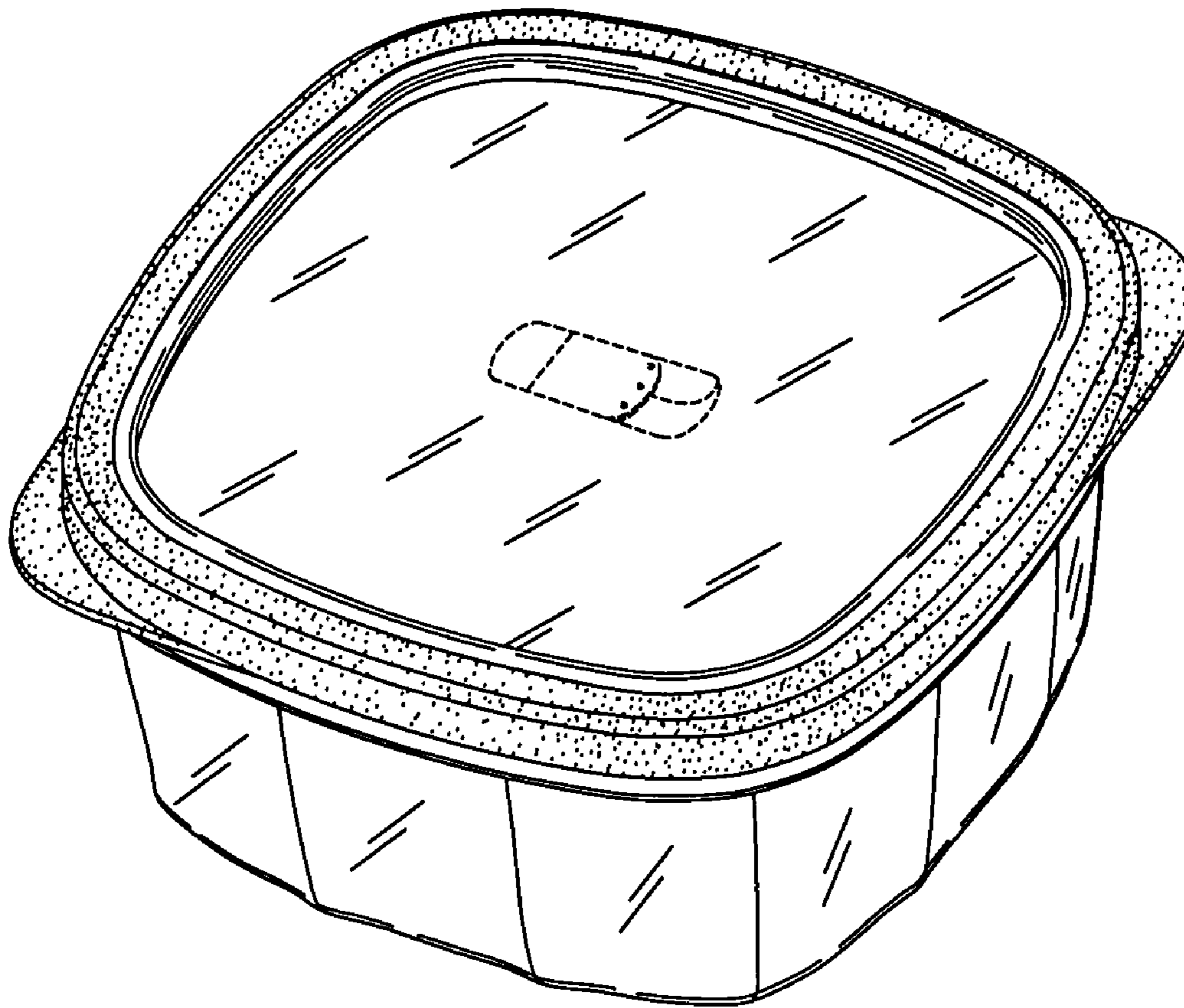
FIG. 5 is a front view; the rear view being identical to the  
front view.

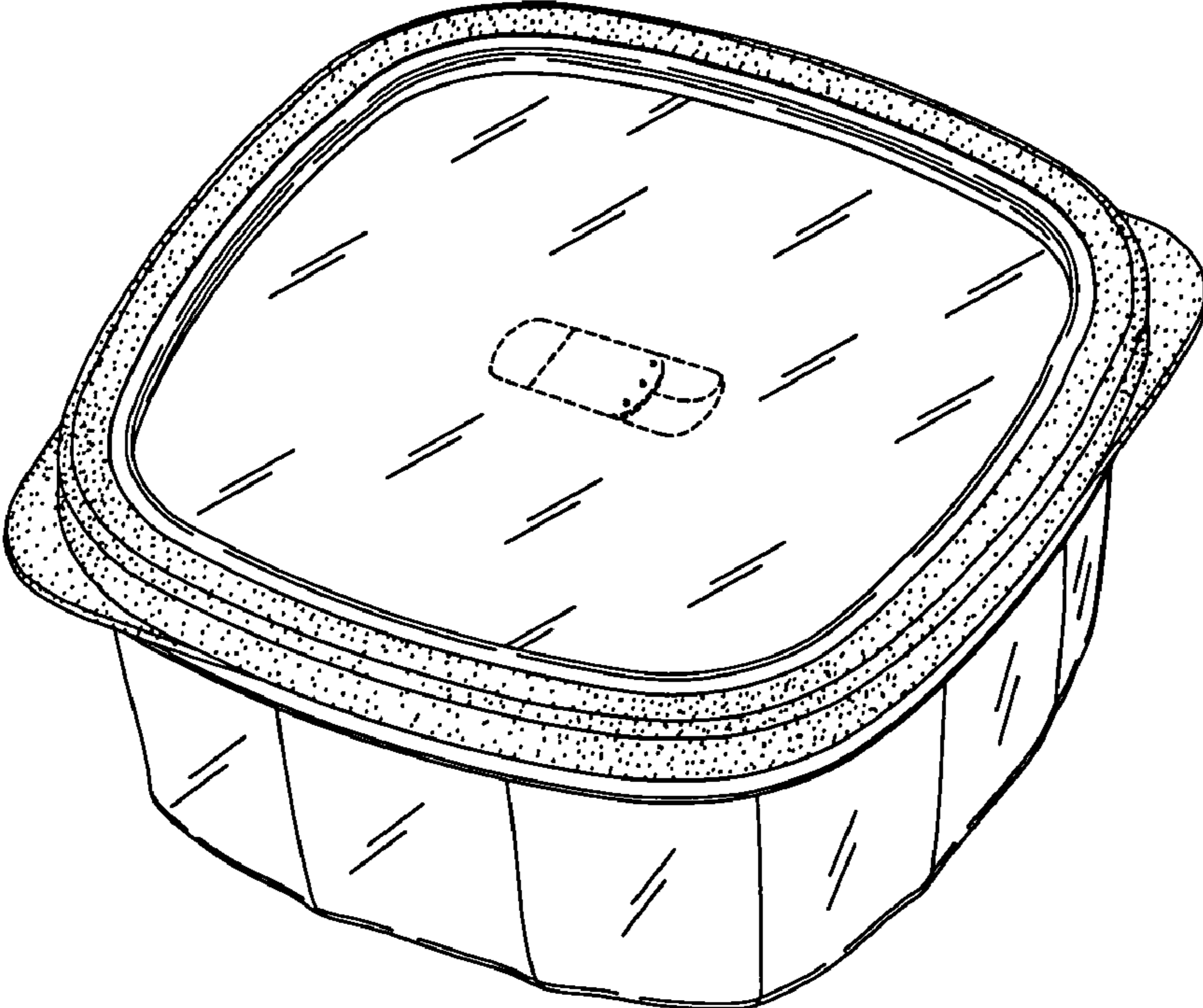
(56) **References Cited**

**U.S. PATENT DOCUMENTS**

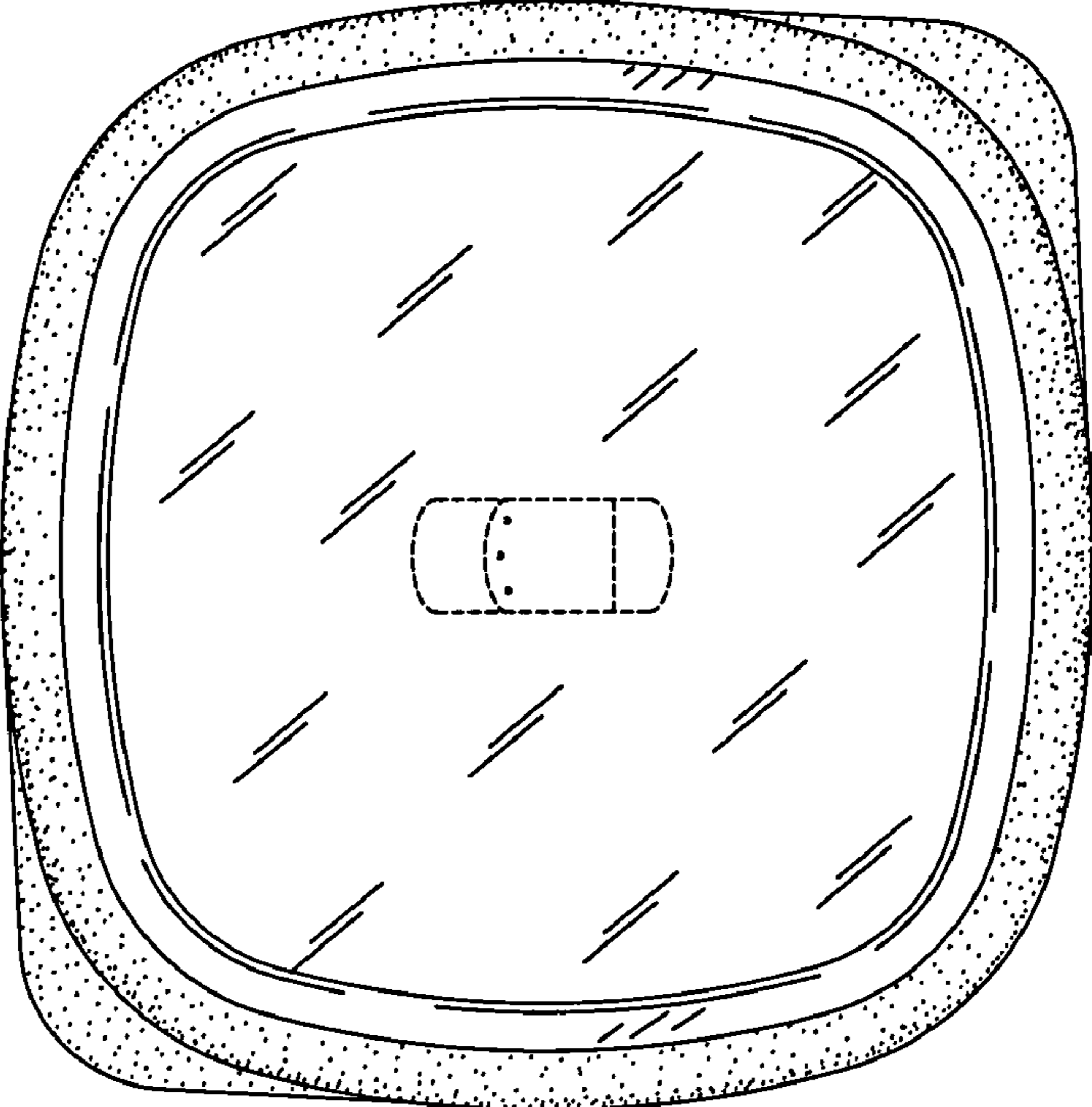
4,412,630 A \* 11/1983 Daenen ..... 220/792  
D440,830 S \* 4/2001 Tucker et al. .... D7/629  
D441,615 S \* 5/2001 Dretzka ..... D7/629

**1 Claim, 2 Drawing Sheets**

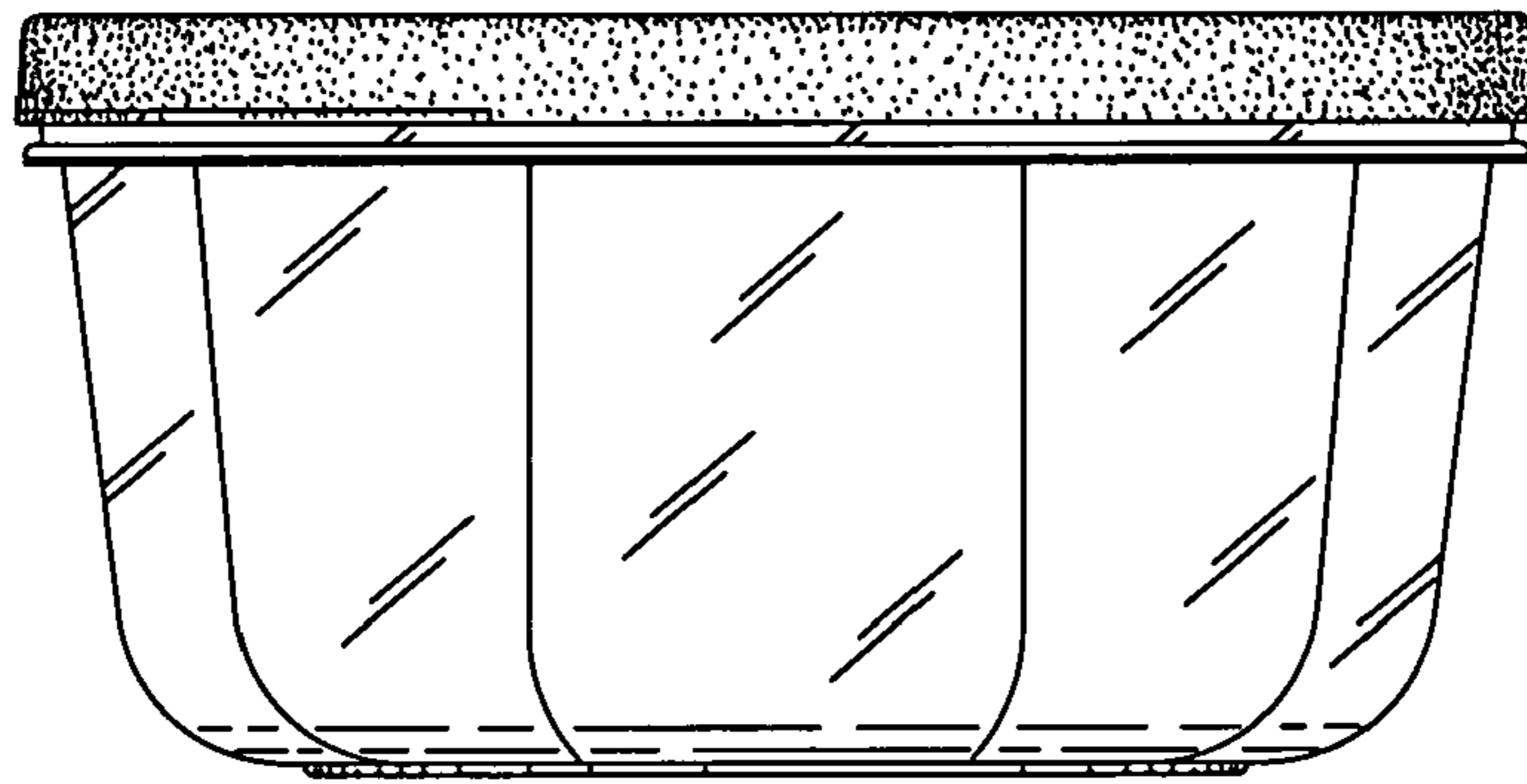




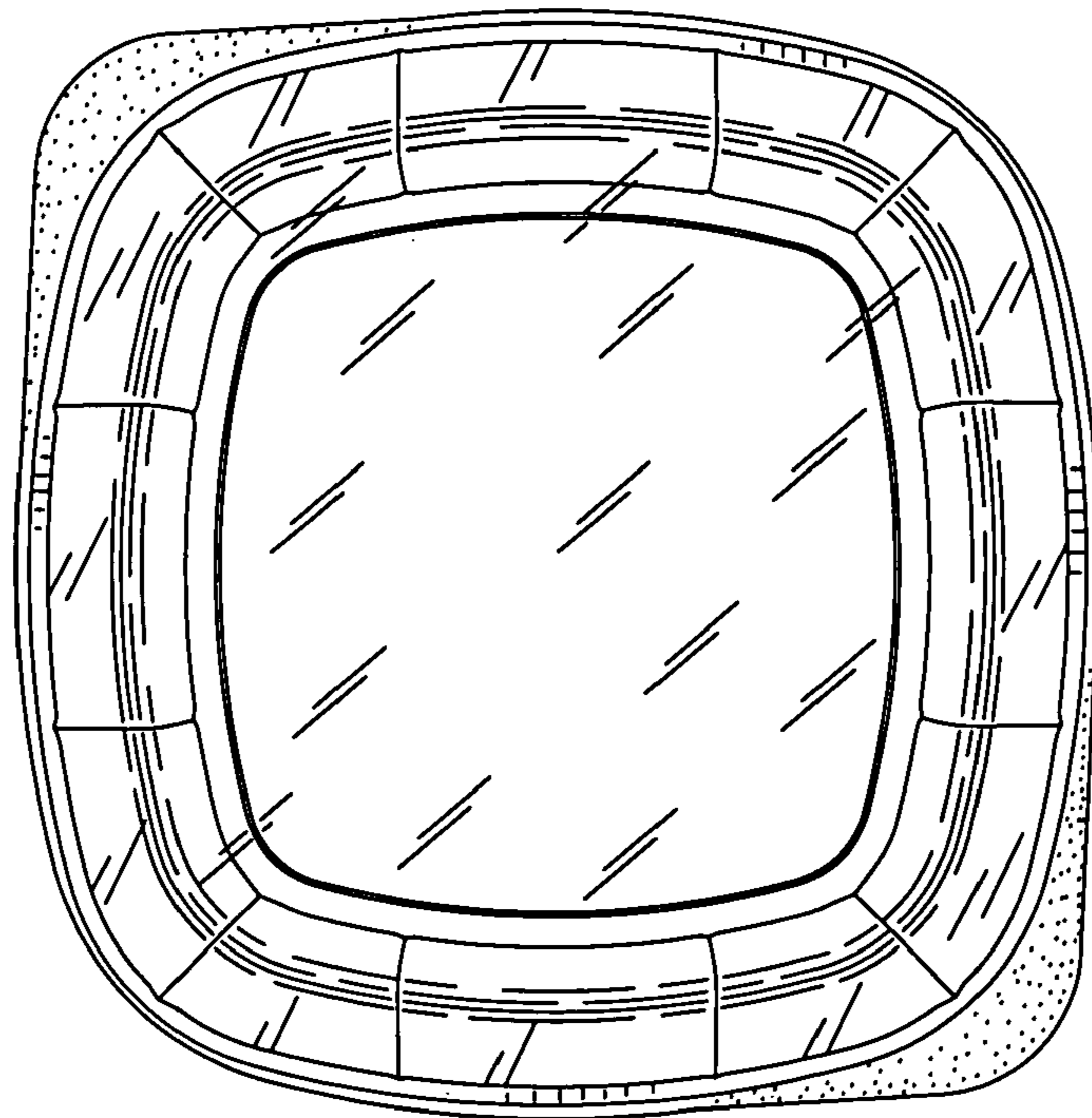
*Fig. 1*



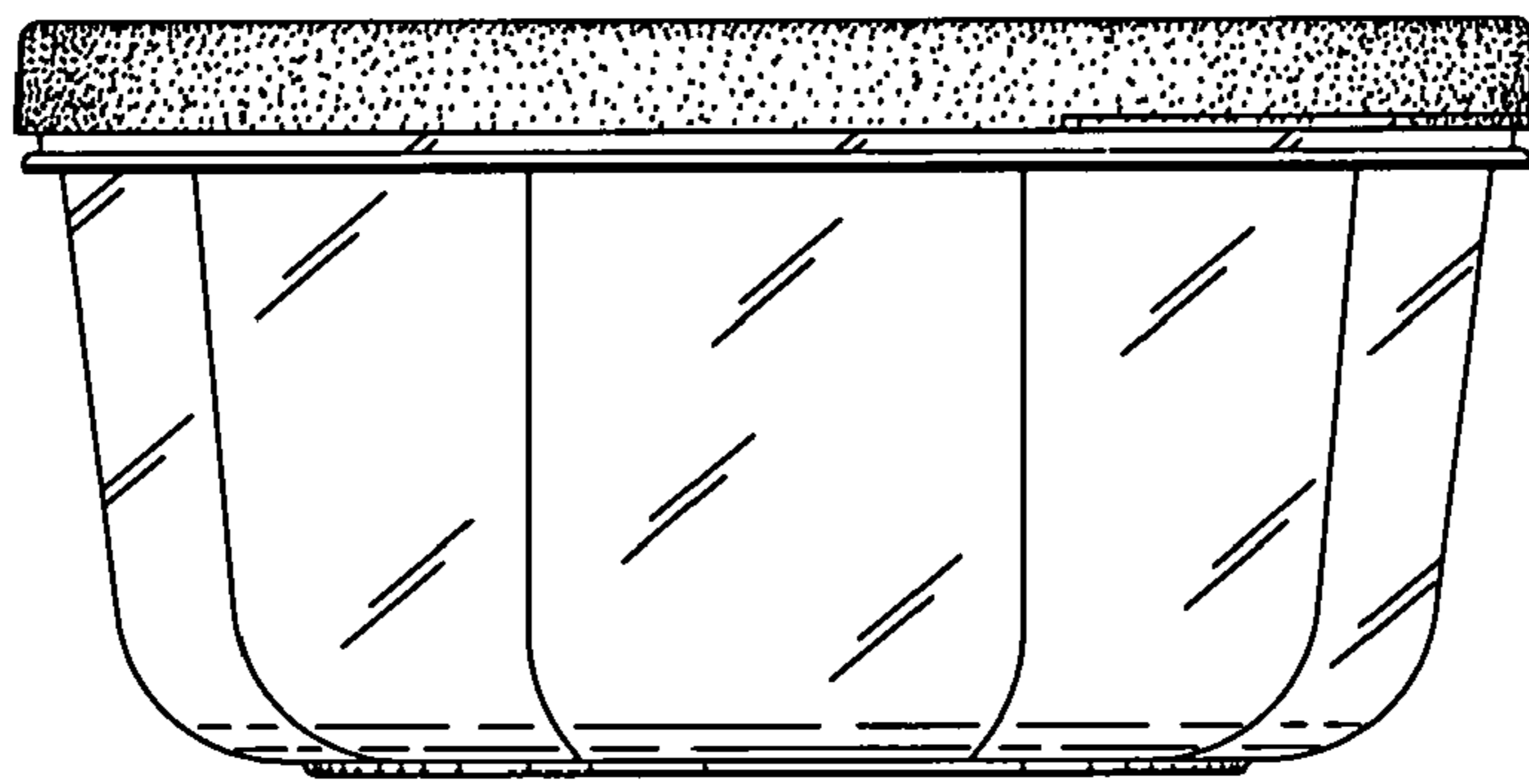
*Fig. 2*



*Fig. 3*



*Fig. 4*



*Fig. 5*