



US00D557567S

(12) **United States Design Patent**  
**Gronikowski et al.**

(10) **Patent No.:** **US D557,567 S**

(45) **Date of Patent:** **\*\* Dec. 18, 2007**

(54) **CAN HOLDER**

(76) Inventors: **Wesley Gronikowski**, 2369 Cricket Rd., Middleburg, FL (US) 32068; **Ken Rabon**, 2369 Cricket Rd., Middleburg, FL (US) 32068

(\*\*) Term: **14 Years**

(21) Appl. No.: **29/272,393**

(22) Filed: **Feb. 7, 2007**

(51) **LOC (8) Cl.** ..... **07-06**

(52) **U.S. Cl.** ..... **D7/622**

(58) **Field of Classification Search** ..... D7/619.1-625;  
D9/455; 294/27.1, 31.2, 32, 33, 31.1, 28,  
294/29; 248/309.1, 311.2, 313; 215/393-398;  
220/737-742

See application file for complete search history.

(56) **References Cited**

U.S. PATENT DOCUMENTS

- 2,088,387 A \* 7/1937 Rice, Jr. et al. .... 215/395
- 3,427,064 A \* 2/1969 Hanschar ..... 294/32
- 3,488,078 A \* 1/1970 Cooperstein ..... 294/31.2
- D225,437 S 12/1972 Killigrew
- D292,160 S 10/1987 Thomas
- D292,243 S 10/1987 O'Grady
- D298,200 S \* 10/1988 Block et al. .... D7/622

- 4,928,848 A 5/1990 Ballway
- D309,072 S 7/1990 Golkar
- 5,040,719 A 8/1991 Ballway
- D343,094 S 1/1994 Varney
- 5,848,722 A \* 12/1998 Hanes ..... 220/741
- D512,275 S \* 12/2005 Kent-Fawkes ..... D7/622

\* cited by examiner

*Primary Examiner*—Terry A Wallace

(74) *Attorney, Agent, or Firm*—Lawrence J. Gibney, Jr.

(57) **CLAIM**

The ornamental design for can holder, as shown and described.

**DESCRIPTION**

FIG. 1 is a perspective view of the can holder showing our new design, the can is shown in broken lines for illustrative purposes only and forms no part of the claimed design;

FIG. 2 is a perspective view thereof;

FIG. 3 is a top plan view thereof;

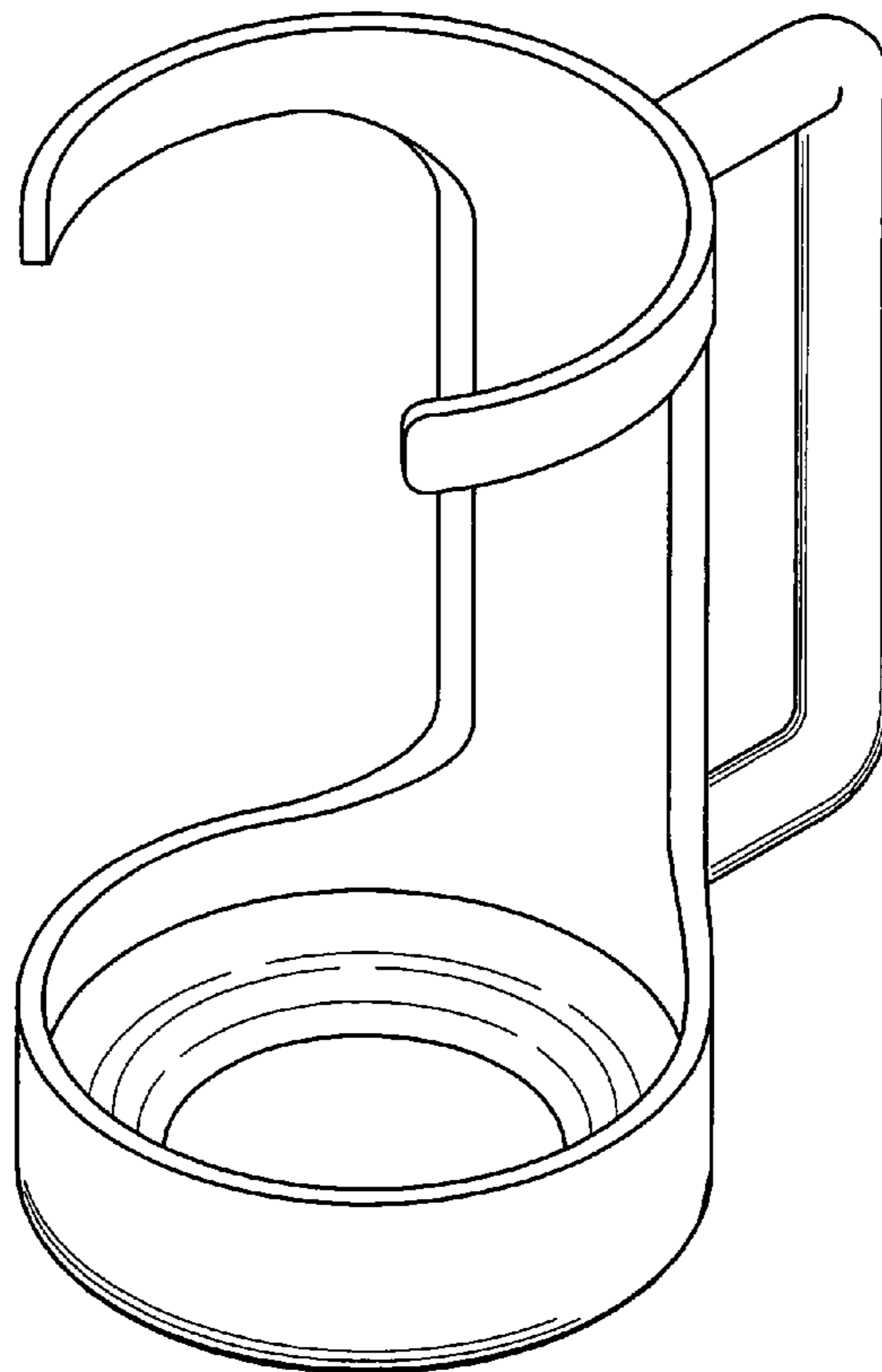
FIG. 4 is a front view thereof;

FIG. 5 is a left side view thereof;

FIG. 6 is a rear view thereof; and,

FIG. 7 is a bottom plan view thereof.

**1 Claim, 3 Drawing Sheets**



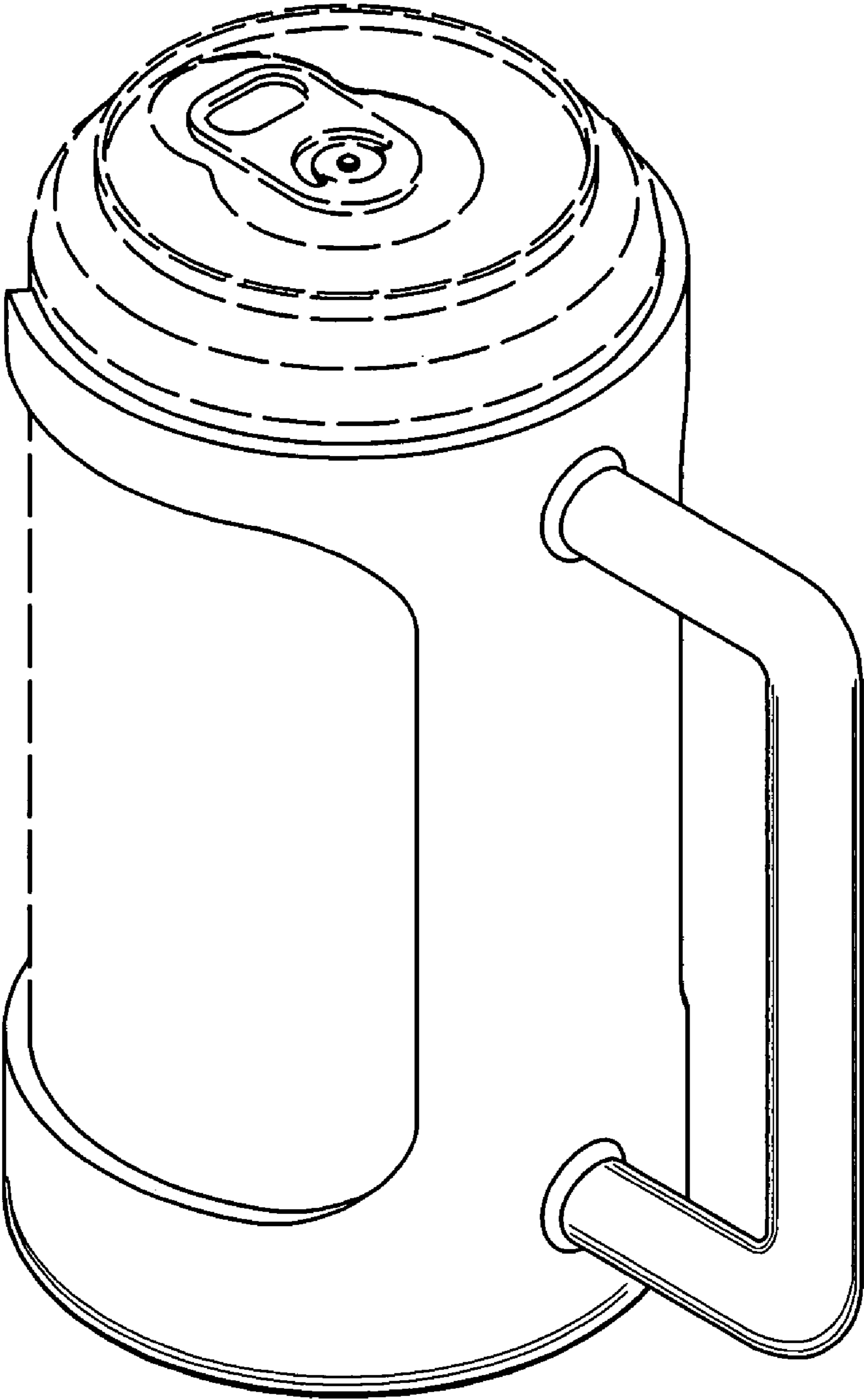


FIG. 1

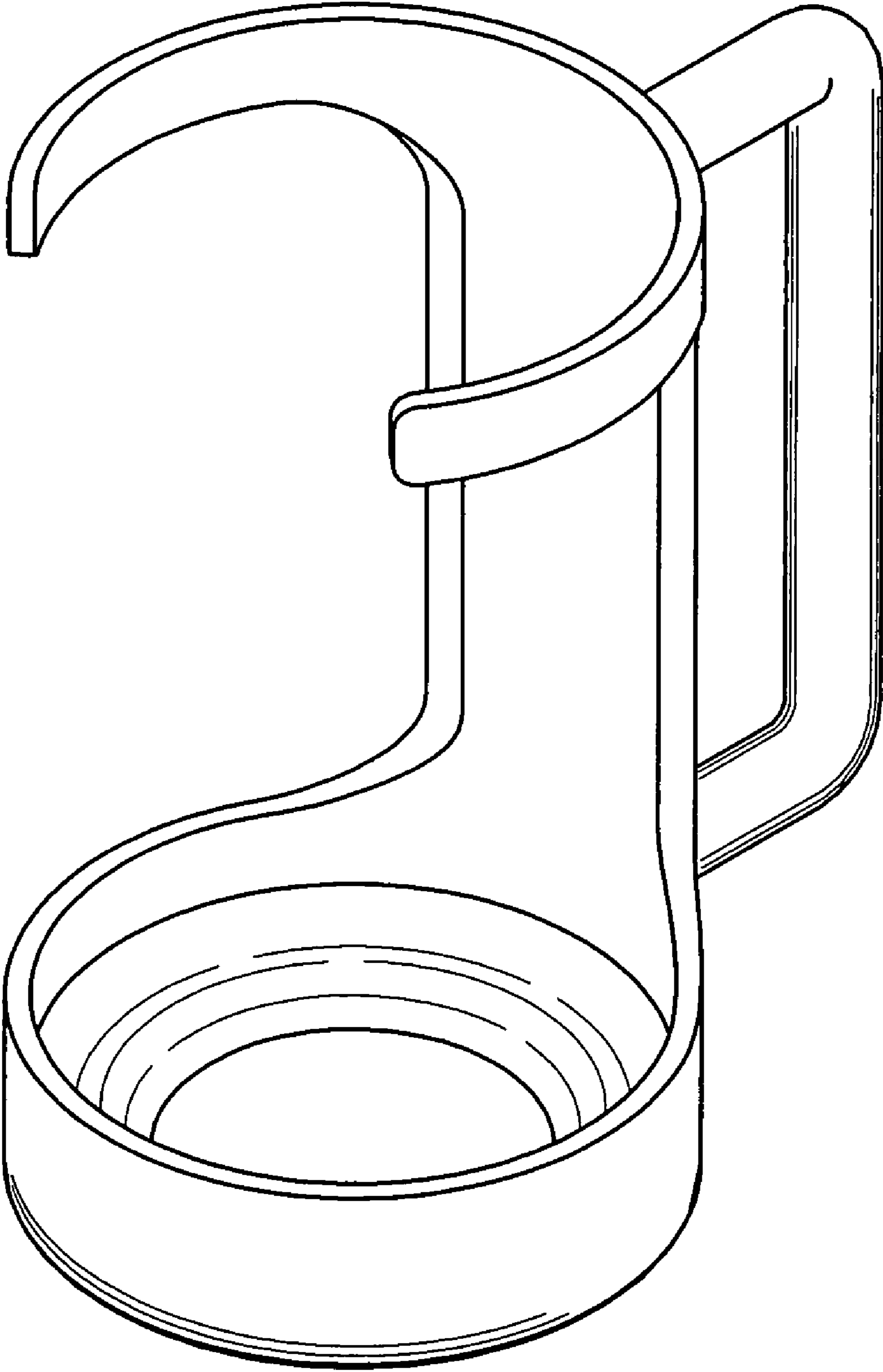


FIG. 2

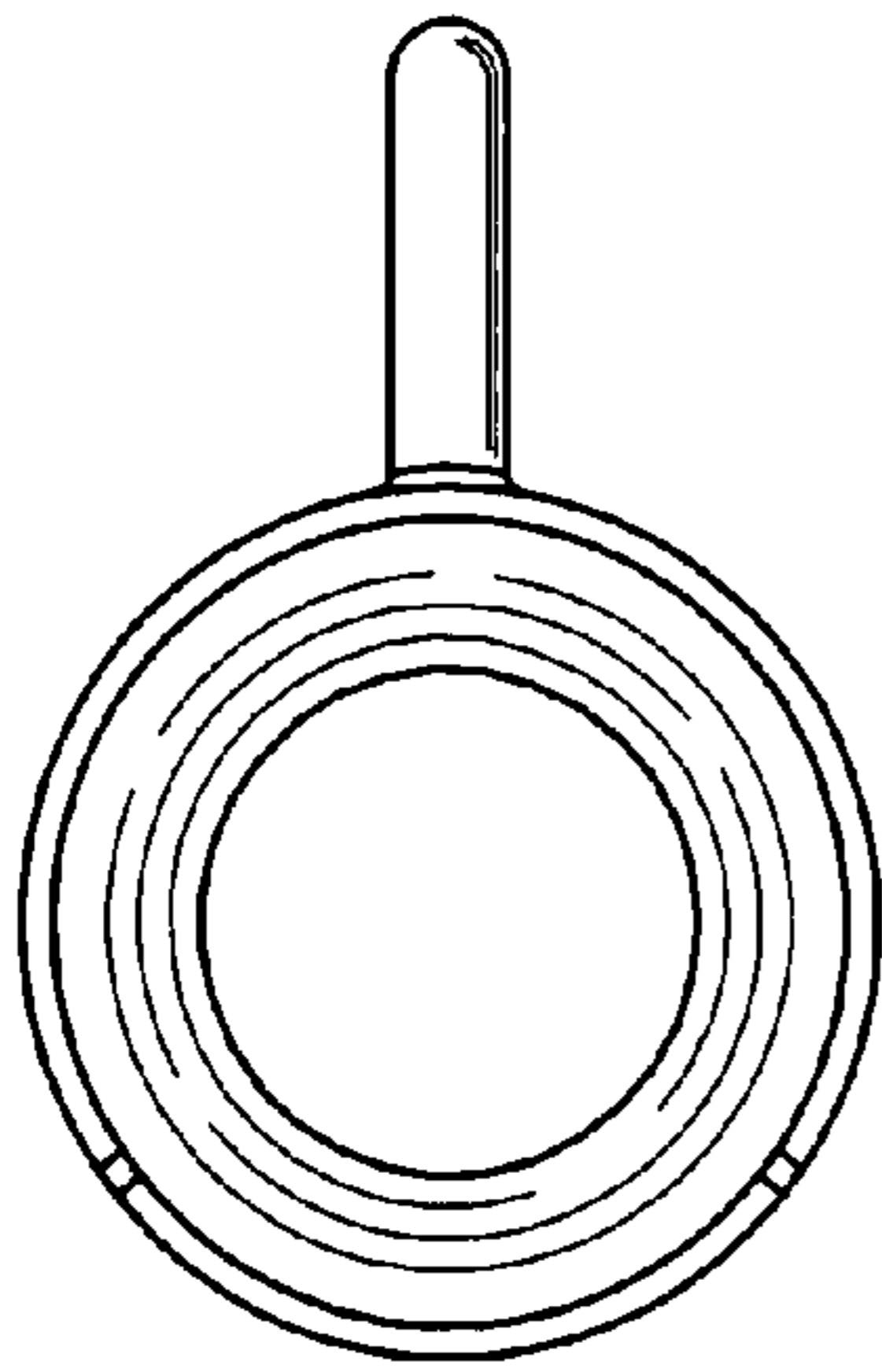


FIG. 3

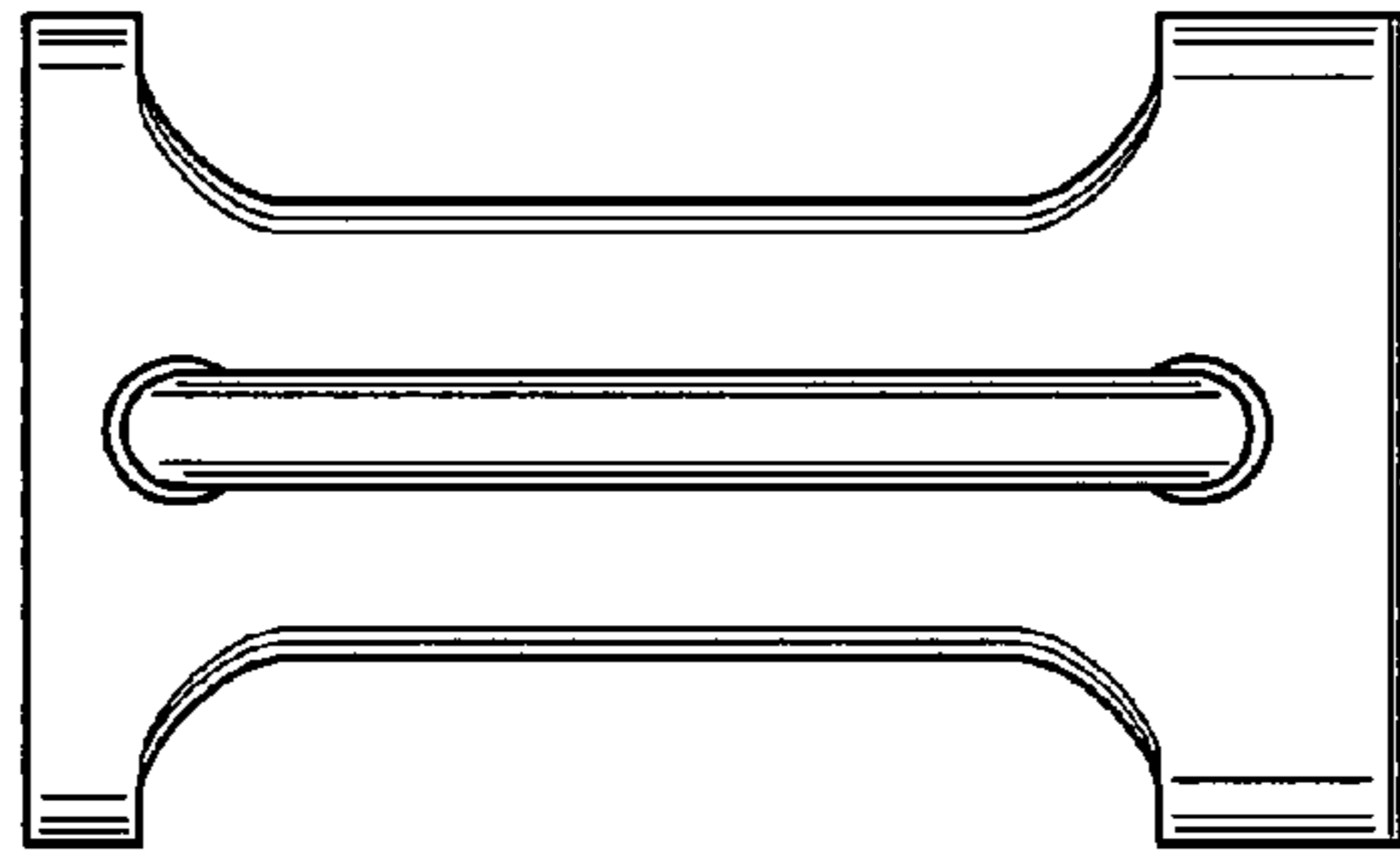


FIG. 6

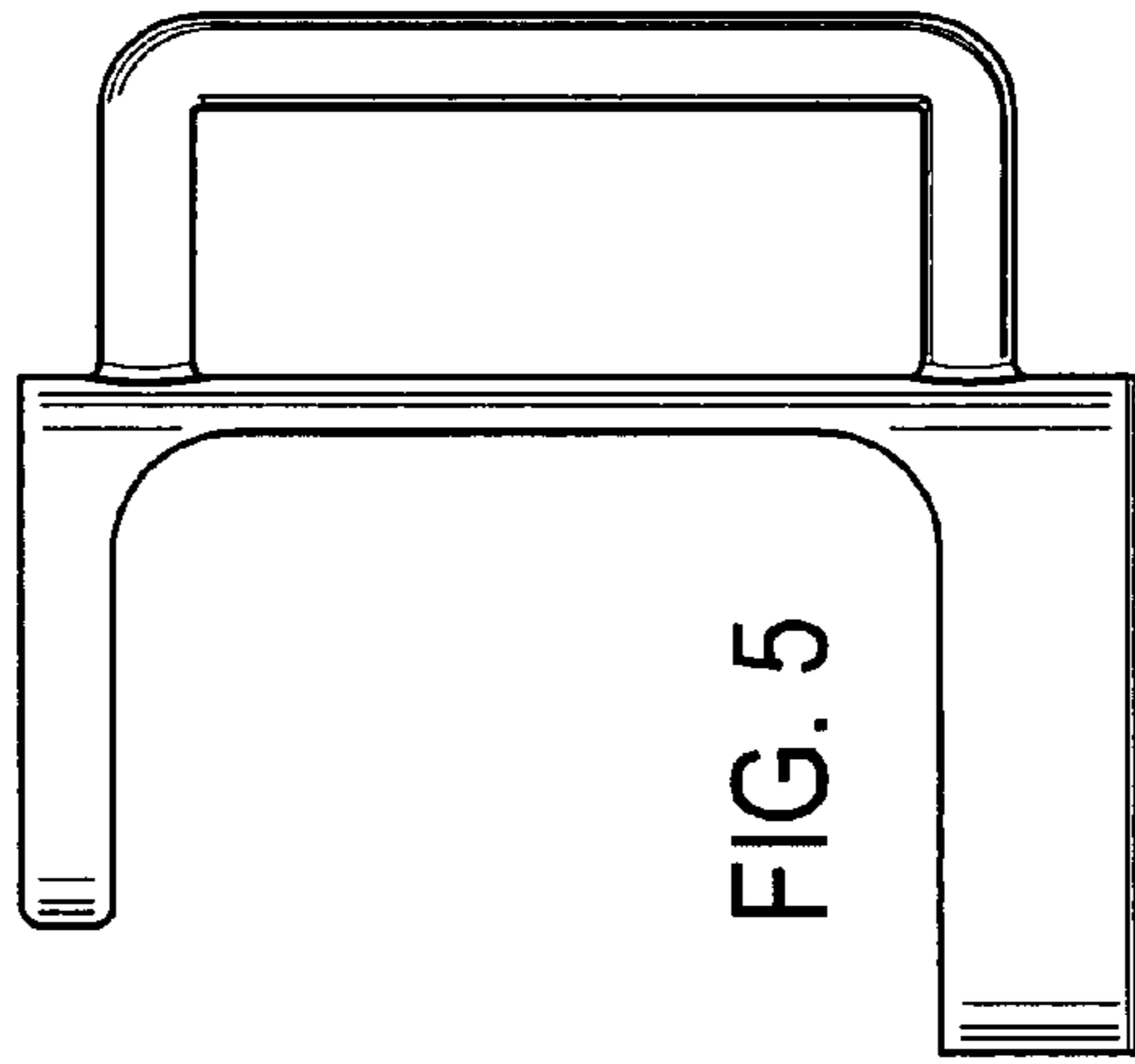


FIG. 5

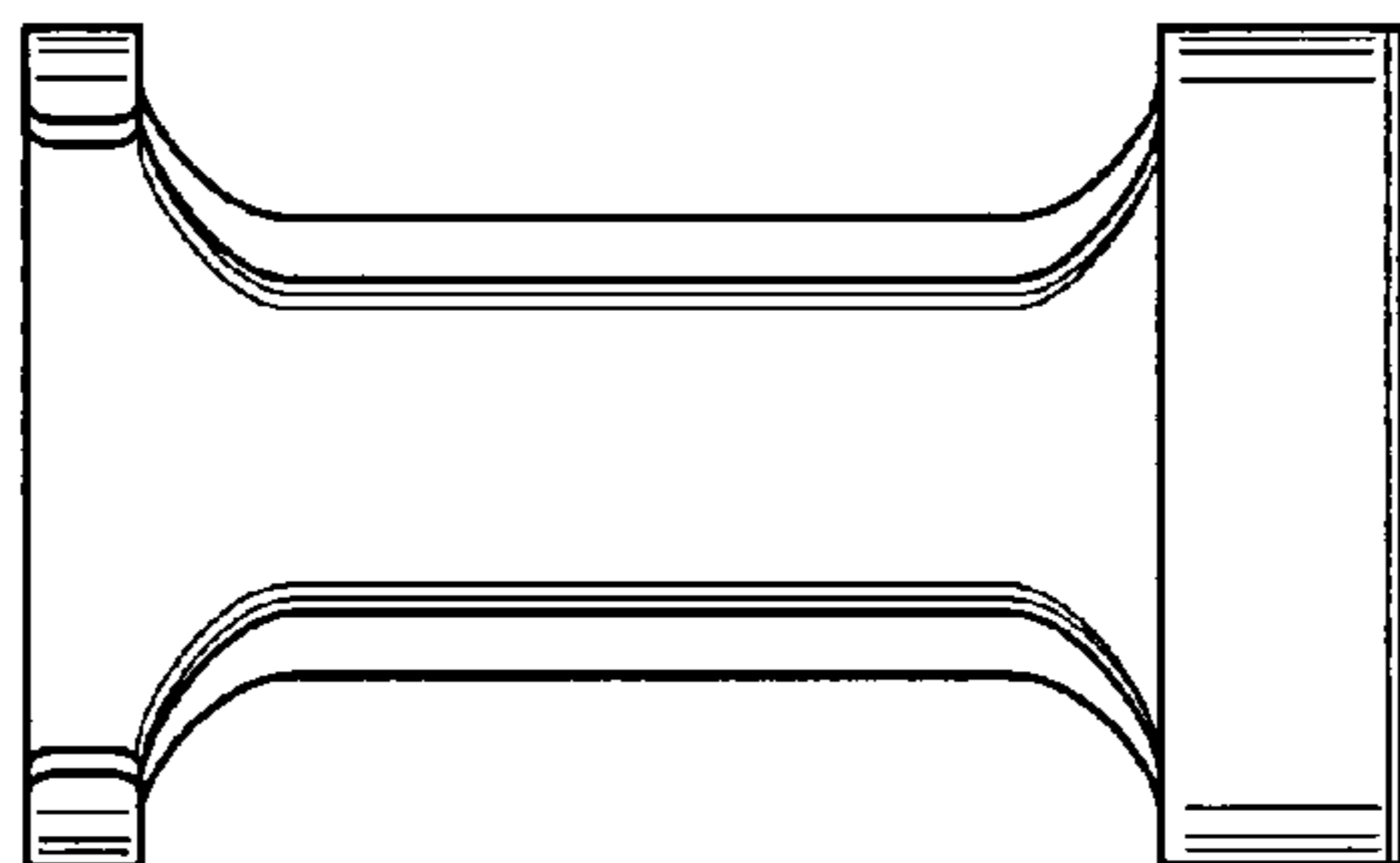


FIG. 4

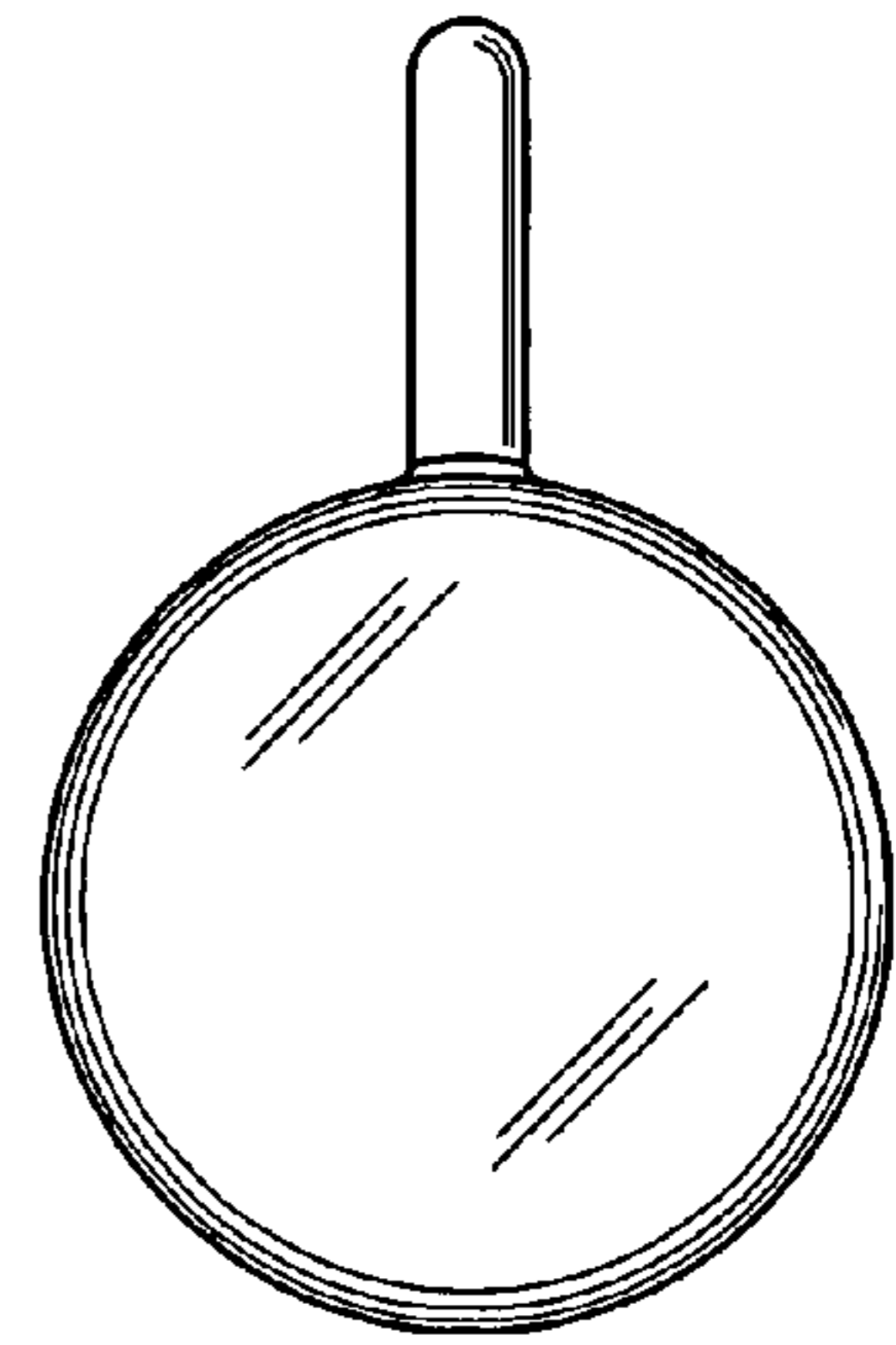


FIG. 7