



US00D557566S

(12) **United States Design Patent**  
**Linnane et al.**

(10) **Patent No.:** **US D557,566 S**

(45) **Date of Patent:** **\*\* Dec. 18, 2007**

(54) **PARTY COOLER**

(75) Inventors: **Jennifer Linnane**, Melrose, MA (US);  
**Augusto Picozza**, Boca Raton, FL  
(US); **Omar Bermudez**, Fort  
Lauderdale, FL (US); **Channing Miller**,  
Boca Raton, FL (US)

(73) Assignee: **Sunbeam Products, Inc.**, Boca Raton,  
FL (US)

(\*\*) Term: **14 Years**

(21) Appl. No.: **29/266,703**

(22) Filed: **Sep. 26, 2006**

(51) **LOC (8) Cl.** ..... **07-01**

(52) **U.S. Cl.** ..... **D7/605; D7/300**

(58) **Field of Classification Search** ..... D7/605-608,  
D7/300, 313; D32/53; D6/436, 463, 465,  
D6/475; D15/83; 62/371, 372, 246, 249,  
62/251, 440, 457.1-457.7; 220/592.01, 592.02,  
220/592.03, 592.09, 592.18, 592.19, 592.2,  
220/592.26-592.28

See application file for complete search history.

(56) **References Cited**

**U.S. PATENT DOCUMENTS**

1,681,100 A \* 8/1928 Clement ..... 332/122  
4,978,023 A \* 12/1990 Behlmann et al. .... 206/545

D434,948 S \* 12/2000 Terracciano ..... D7/605  
6,244,065 B1 \* 6/2001 Wuestman ..... 62/457.6  
D460,291 S \* 7/2002 Miller et al. .... D6/436  
D508,826 S \* 8/2005 Bidwell et al. .... D7/605

**OTHER PUBLICATIONS**

Portable Beverage Tub (online) Frontgate Catalog, retrieved Aug. 1,  
2007, URL: www.frontgate.com.\*

\* cited by examiner

*Primary Examiner*—Terry A Wallace

(74) *Attorney, Agent, or Firm*—Lawrence J. Shurupoff

(57) **CLAIM**

The ornamental design for a party cooler, as shown and  
described.

**DESCRIPTION**

FIG. 1 is a front right top perspective view of the party  
cooler showing the new design;

FIG. 2 is a left side elevational view thereof;

FIG. 3 is a front elevational view thereof;

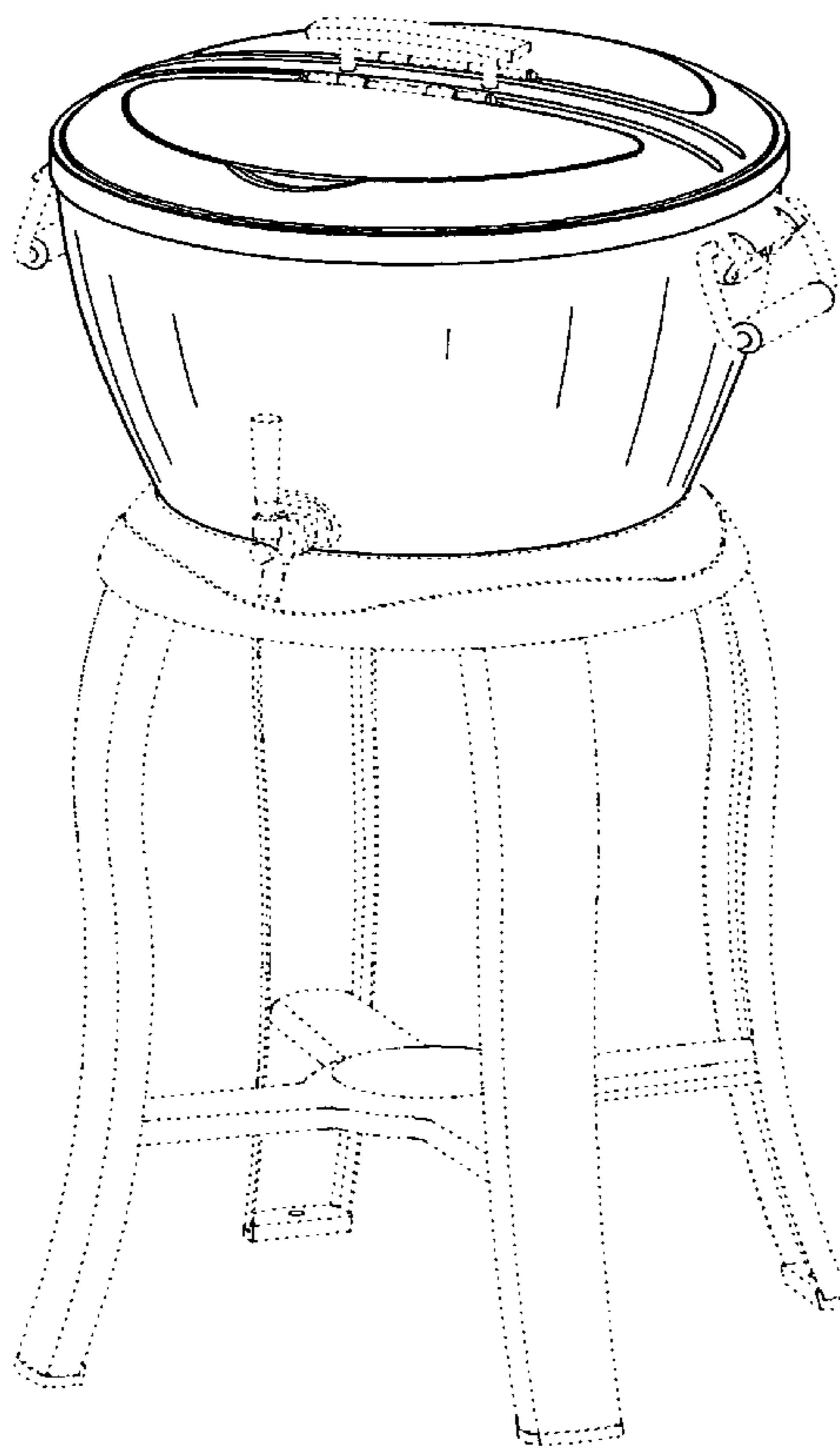
FIG. 4 is a right side elevational view thereof;

FIG. 5 is a rear elevational view thereof; and,

FIG. 6 is a top plan view thereof.

The broken lines are for illustrative purposes only and form  
no part of the claimed design.

**1 Claim, 6 Drawing Sheets**



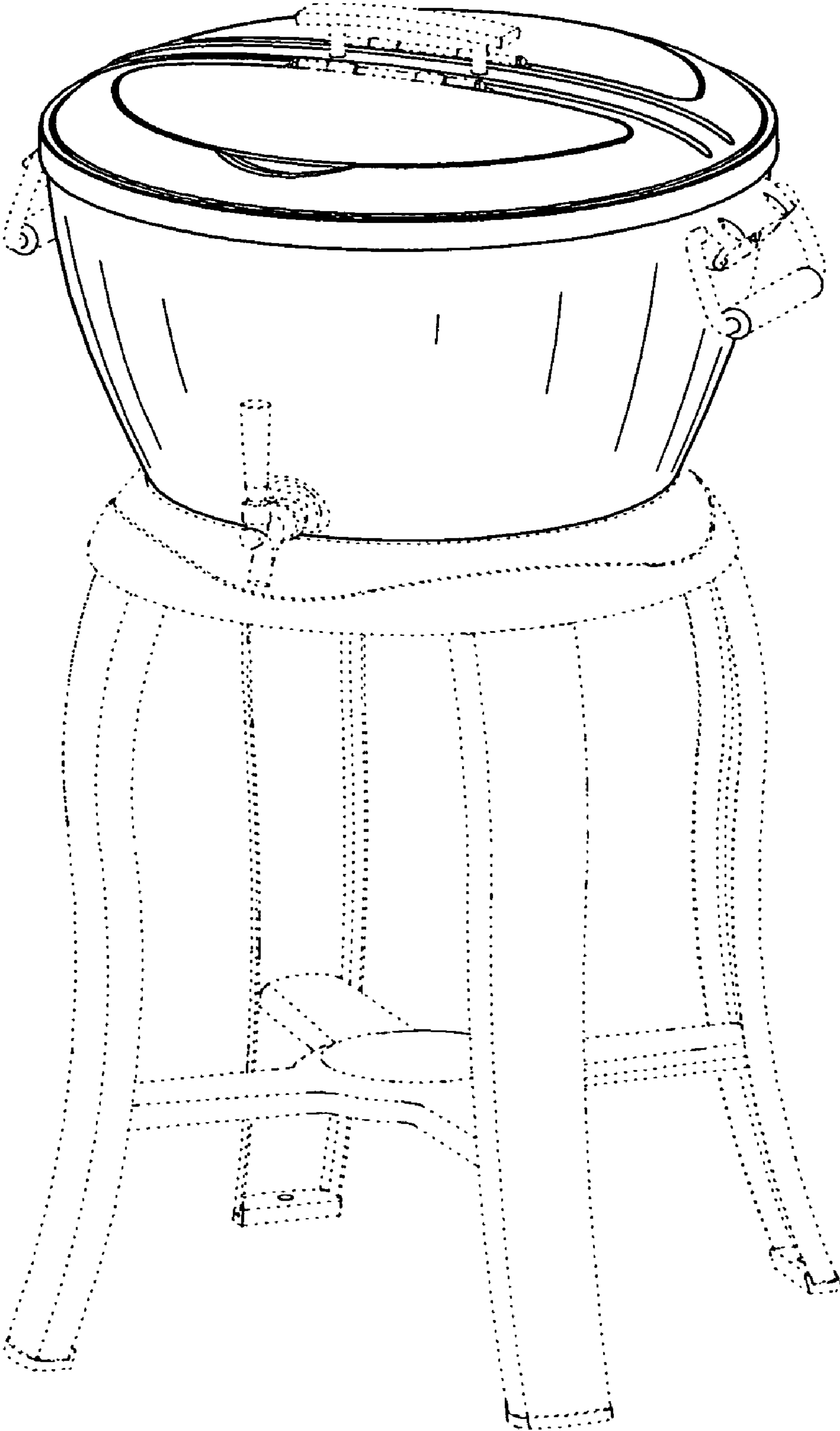


FIG 1

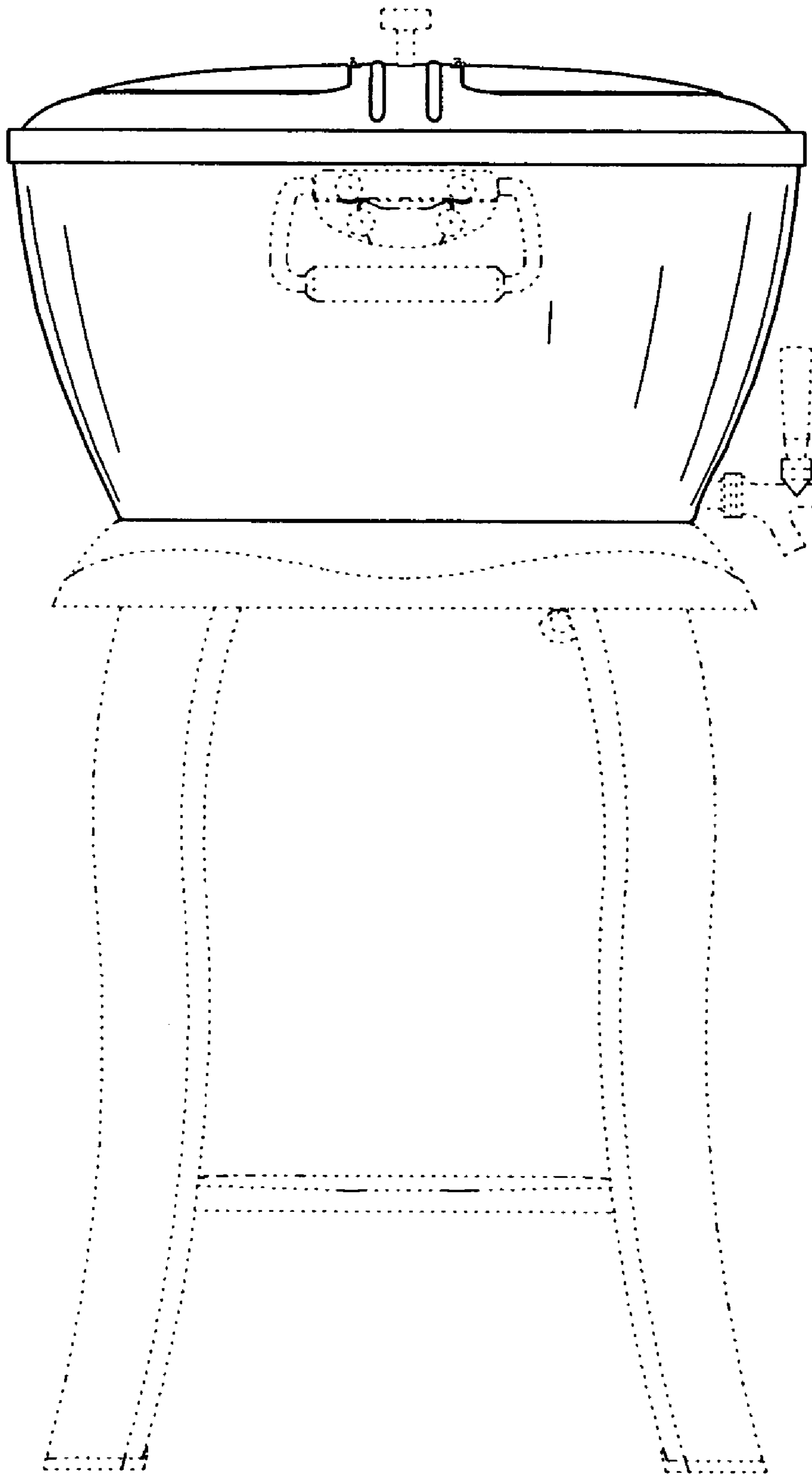


FIG 2

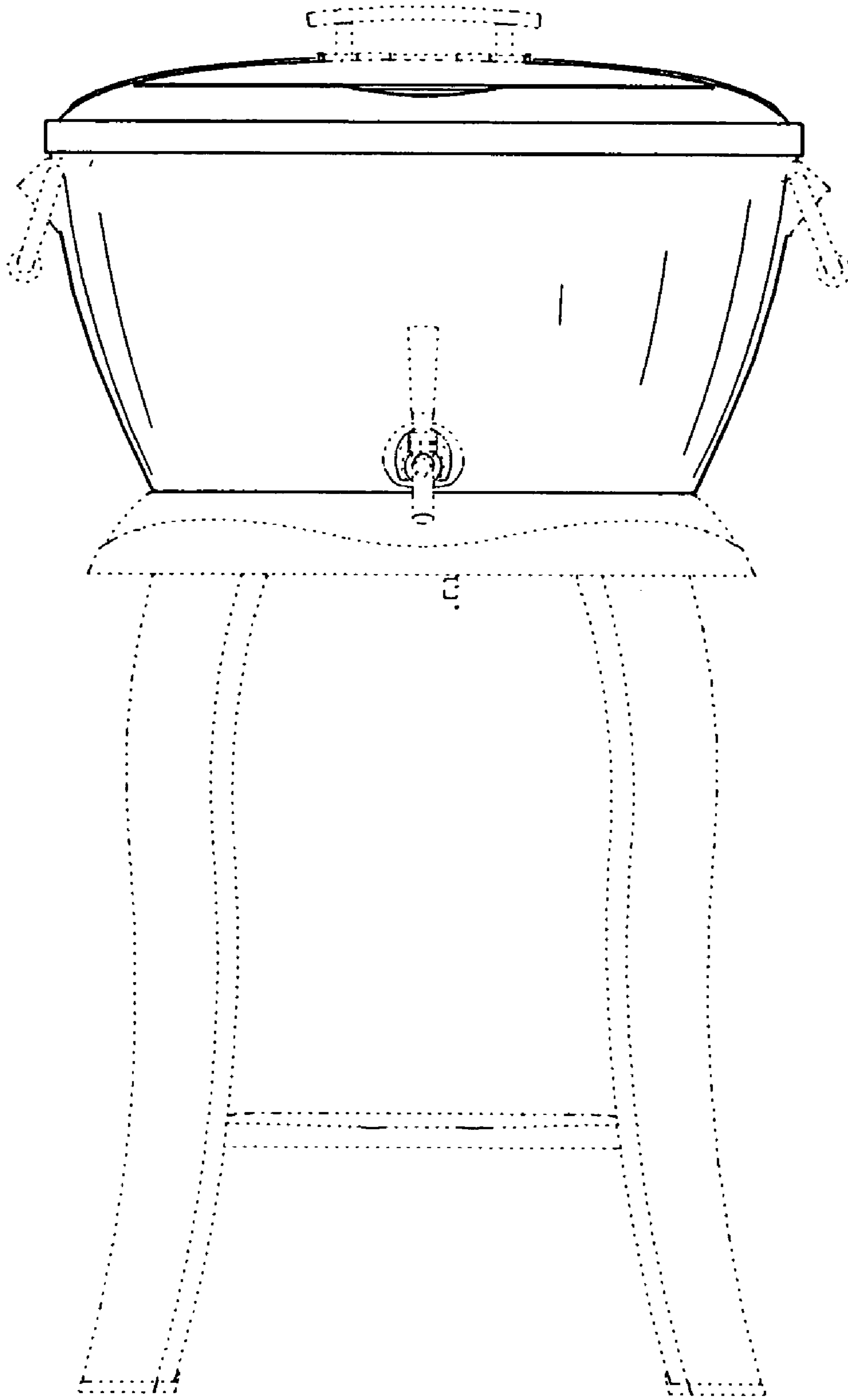


FIG 3

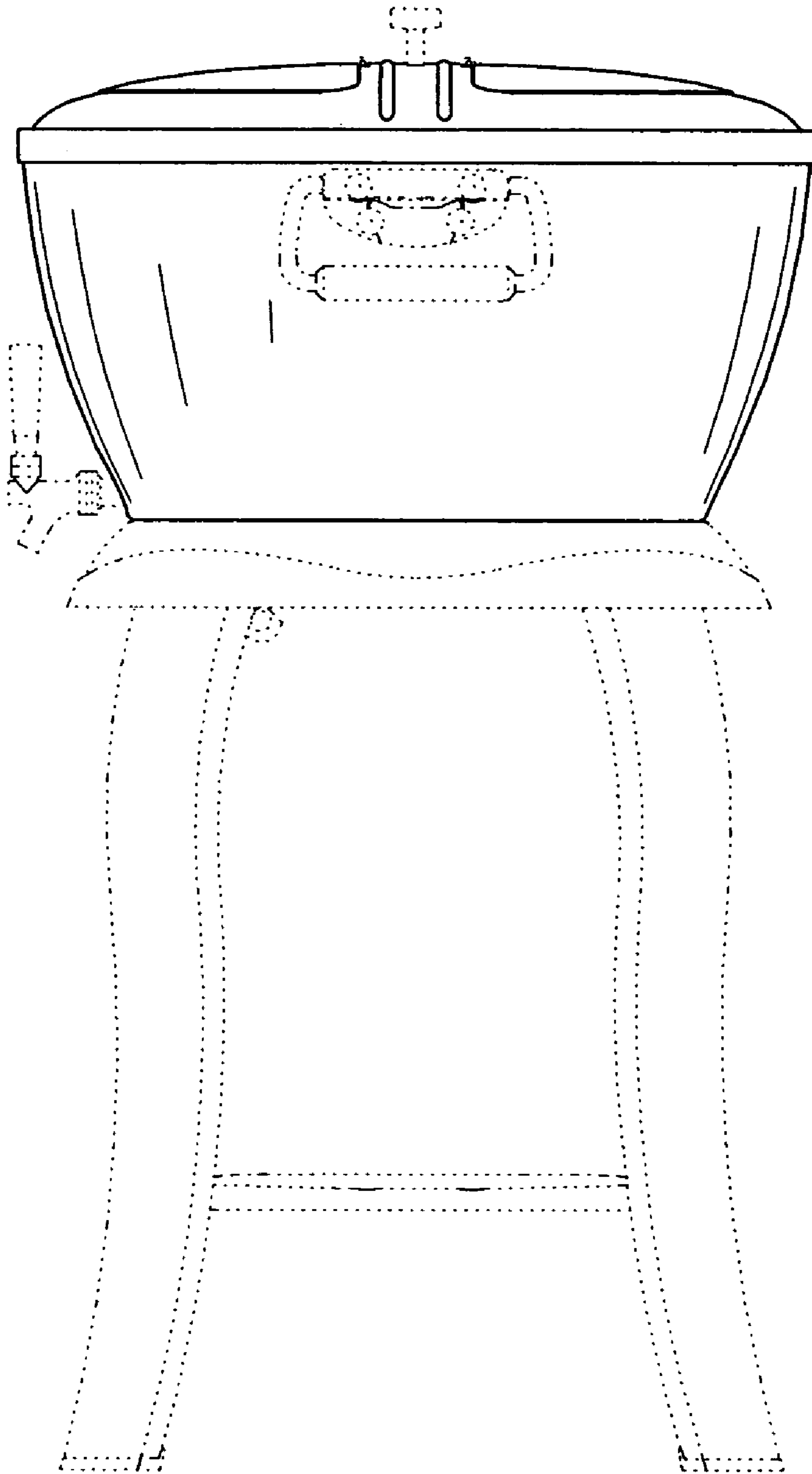


FIG 4

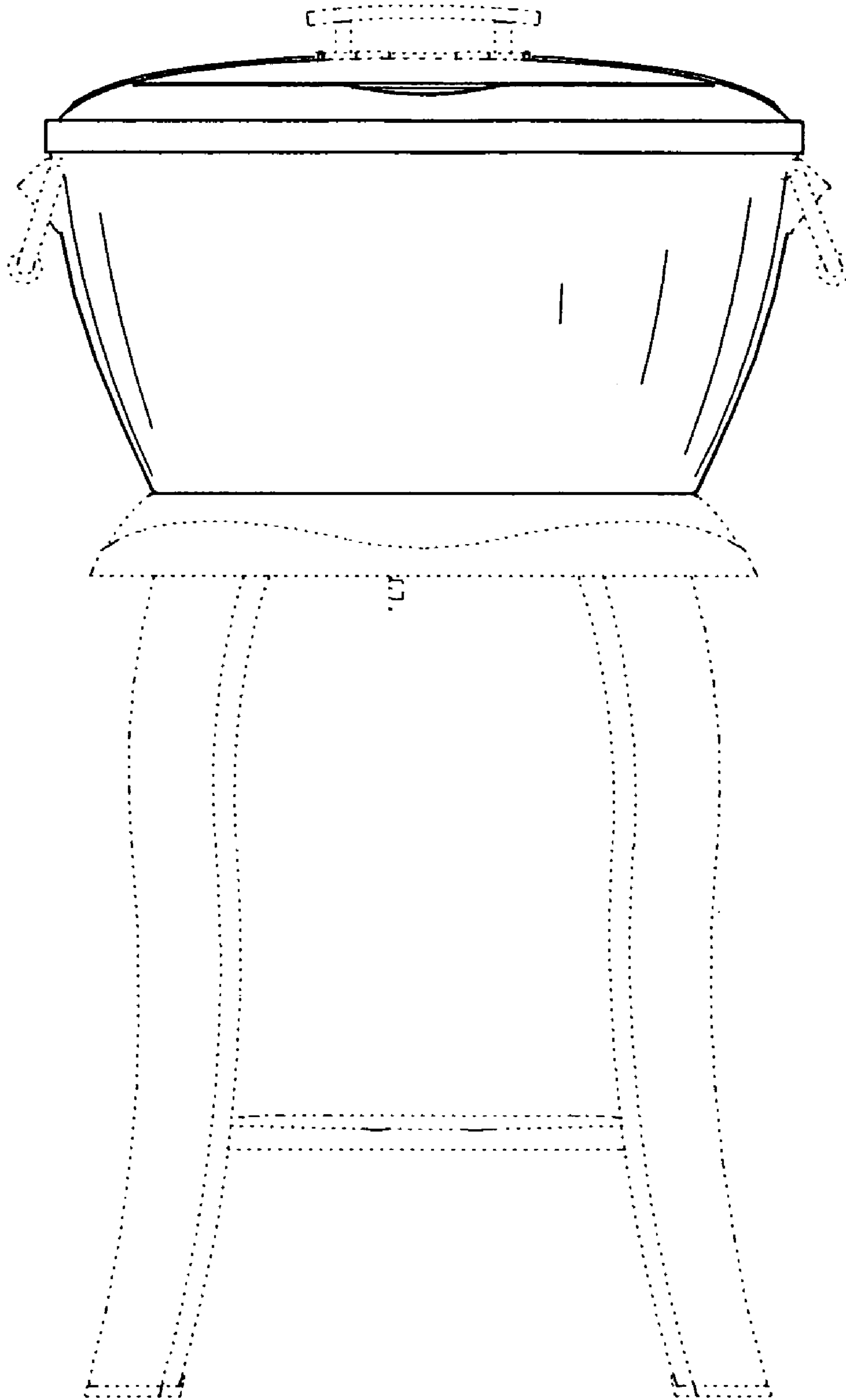


FIG 5

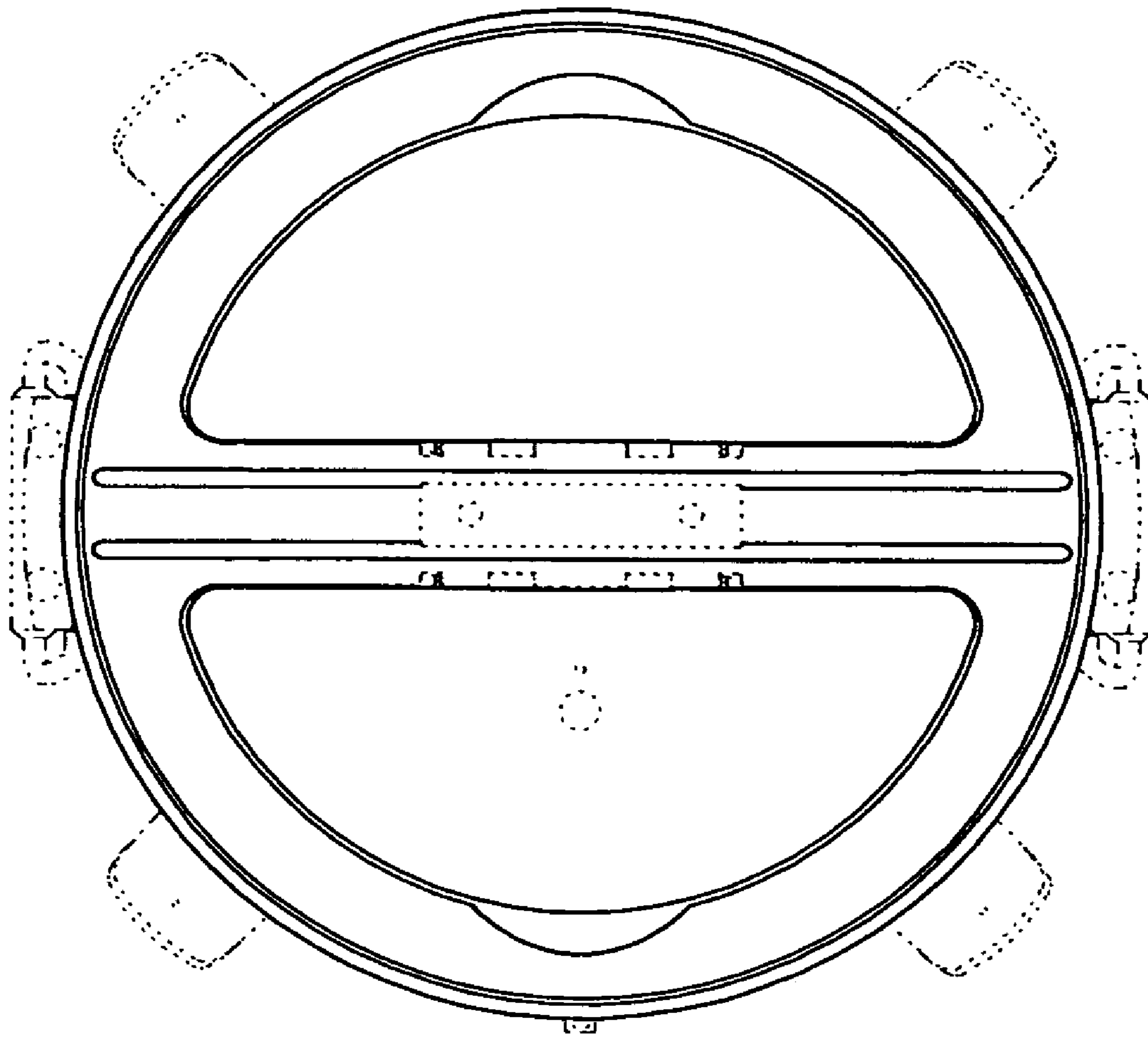


FIG 6