



US00D557551S

(12) **United States Design Patent** (10) **Patent No.:** **US D557,551 S**
Tetreault et al. (45) **Date of Patent:** **** Dec. 18, 2007**

(54) **COOKWARE**

(75) Inventors: **Joel Tetreault**, Haskins, OH (US);
Steve Muske, Perrysburg, OH (US);
Paul Angelo LoGiudice, Toledo, OH (US)

(73) Assignee: **Calphalon Corporation**, Freeport, IL (US)

(**) Term: **14 Years**

(21) Appl. No.: **29/270,371**

(22) Filed: **Dec. 21, 2006**

(51) **LOC (8) Cl.** **07-02**

(52) **U.S. Cl.** **D7/354**

(58) **Field of Classification Search** D7/323,
D7/354, 356-360, 392.1, 538, 542, 545;
99/324, 326, 339, 357; 126/19 R, 20, 275 R,
126/275 E, 369, 377; 219/620-622, 385,
219/386; 220/573.1-574

See application file for complete search history.

(56) **References Cited**

U.S. PATENT DOCUMENTS

D185,064 S *	5/1959	Clark et al.	D7/542
D197,476 S *	2/1964	De Puy	D7/542
D212,704 S *	11/1968	Benes	D7/360
D218,346 S *	8/1970	Aubecq	D7/360
D253,574 S *	12/1979	Anderson, Jr.	D7/356
D421,202 S *	2/2000	Demers	D7/538

D477,970 S *	8/2003	Thonis	D7/542
D484,745 S *	1/2004	Watson	D7/545
D535,153 S *	1/2007	Eide et al.	D7/542
D535,856 S *	1/2007	Kell	D7/538
D543,414 S *	5/2007	Lion et al.	D7/360

* cited by examiner

Primary Examiner—Mimosa De

Assistant Examiner—Ricky Pham

(74) *Attorney, Agent, or Firm*—Foley & Lardner LLP

(57) **CLAIM**

We claim the ornamental design for cookware, as shown and described.

DESCRIPTION

FIG. 1 is a perspective view of the claimed design;

FIG. 2 is a front view of the claimed design;

FIG. 3 is a back view of the claimed design;

FIG. 4 is a left side view of the claimed design;

FIG. 5 is a right side view of the claimed design;

FIG. 6 is a top view of the claimed design; and,

FIG. 7 is a bottom view of the claimed design.

The ornamental design which is claimed is shown in solid lines in the drawings. The broken lines in the drawings are for illustrative purposes only and form no part of the claimed design.

1 Claim, 5 Drawing Sheets

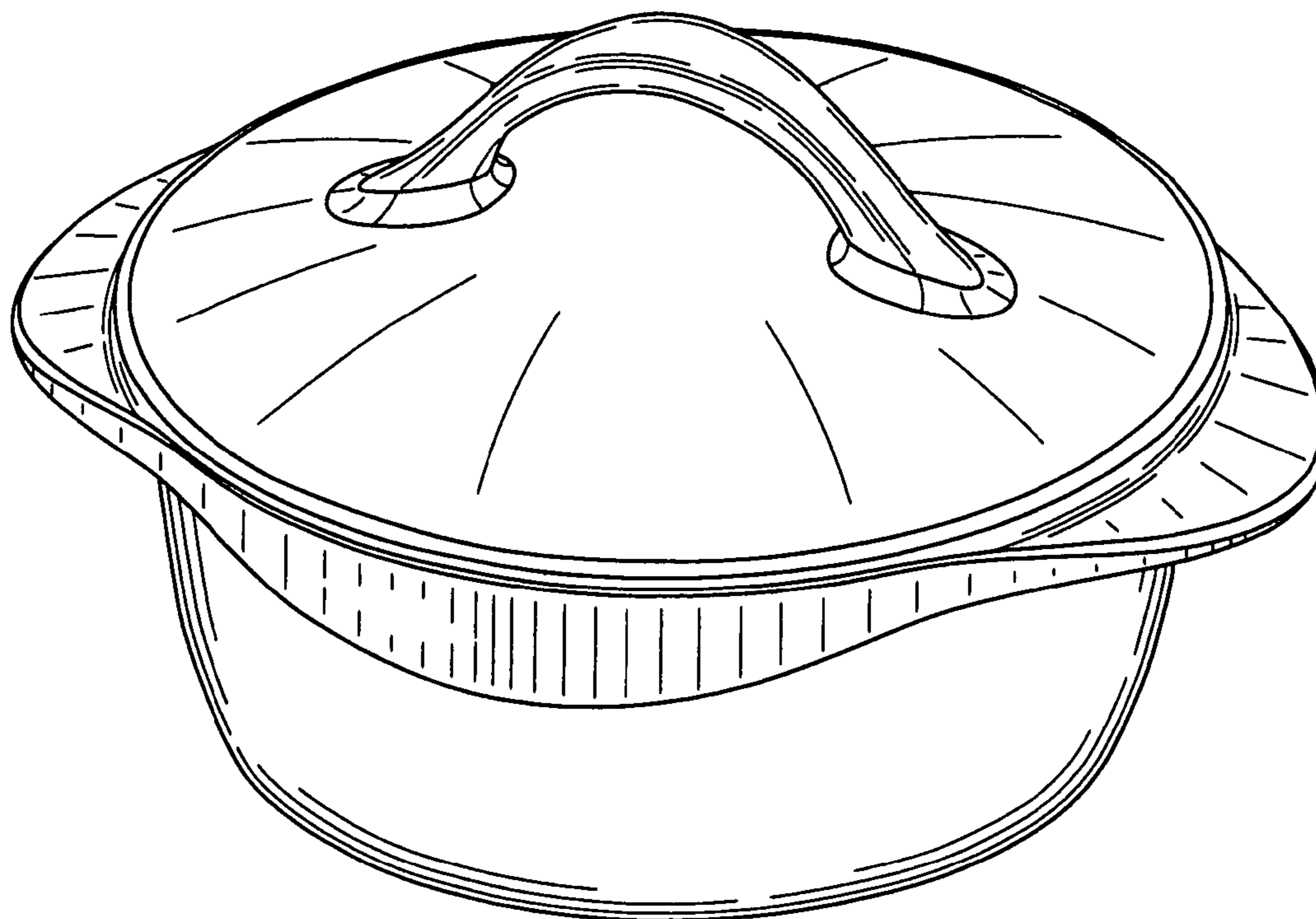


Fig. 1

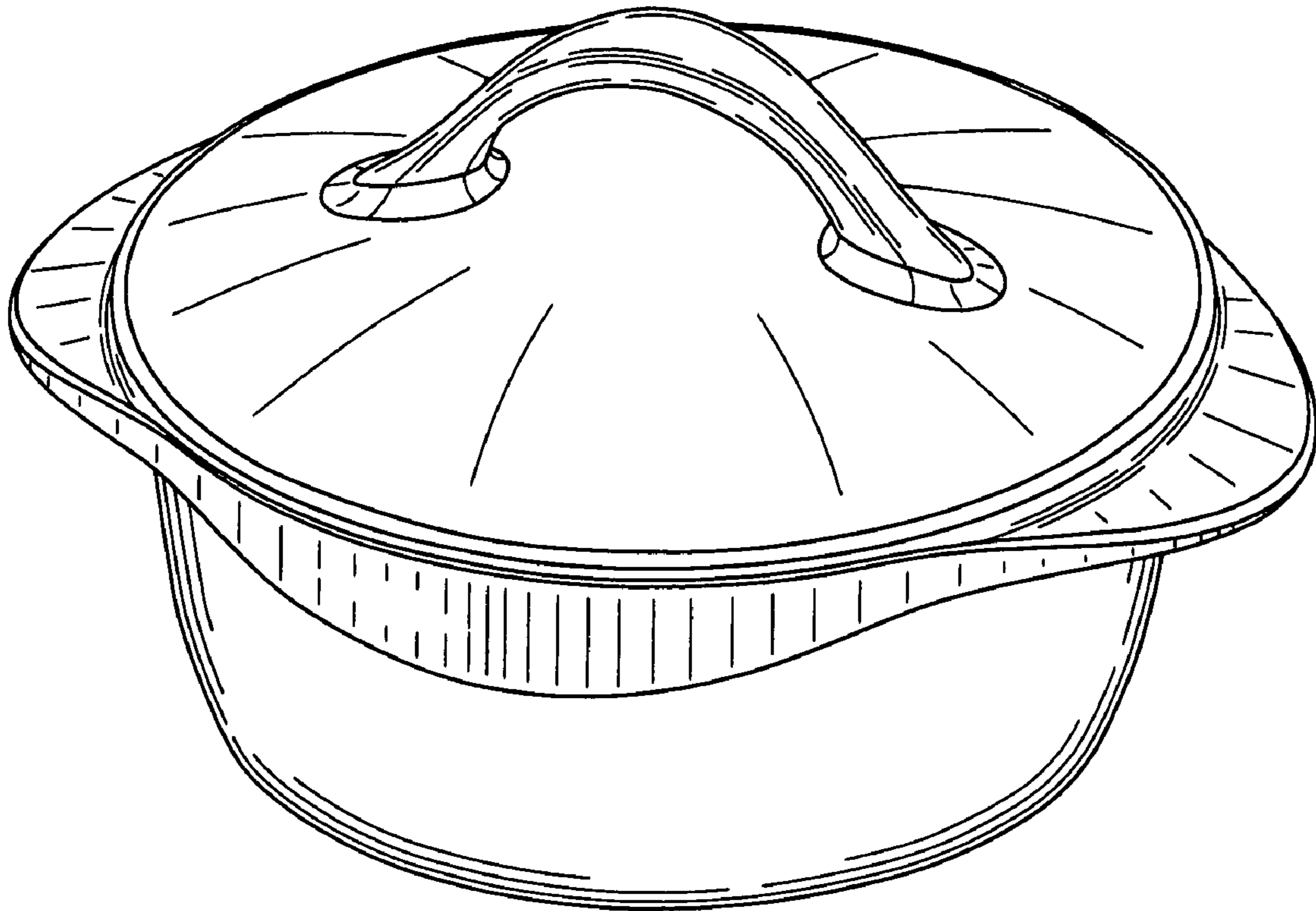


Fig. 2

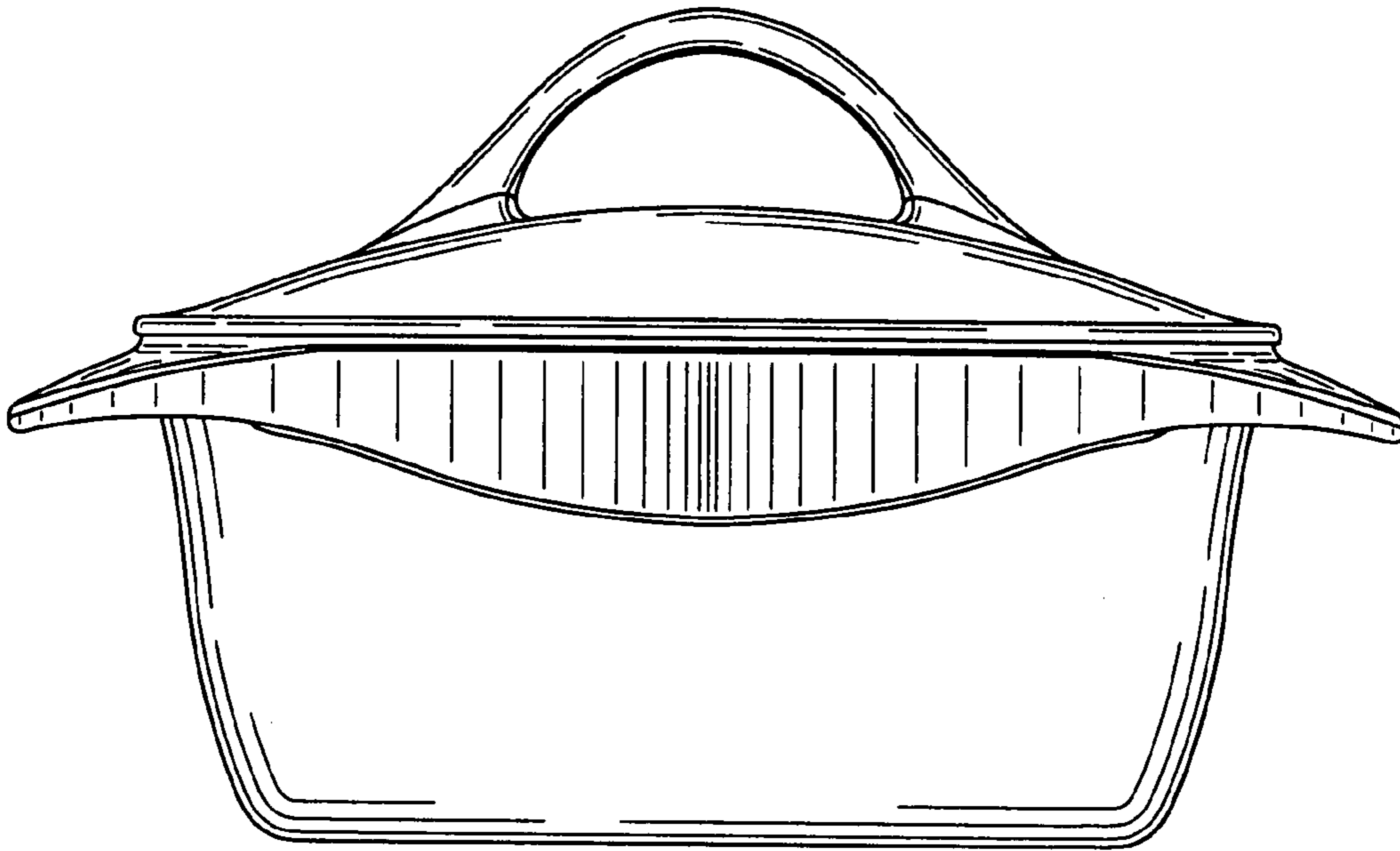


Fig. 3

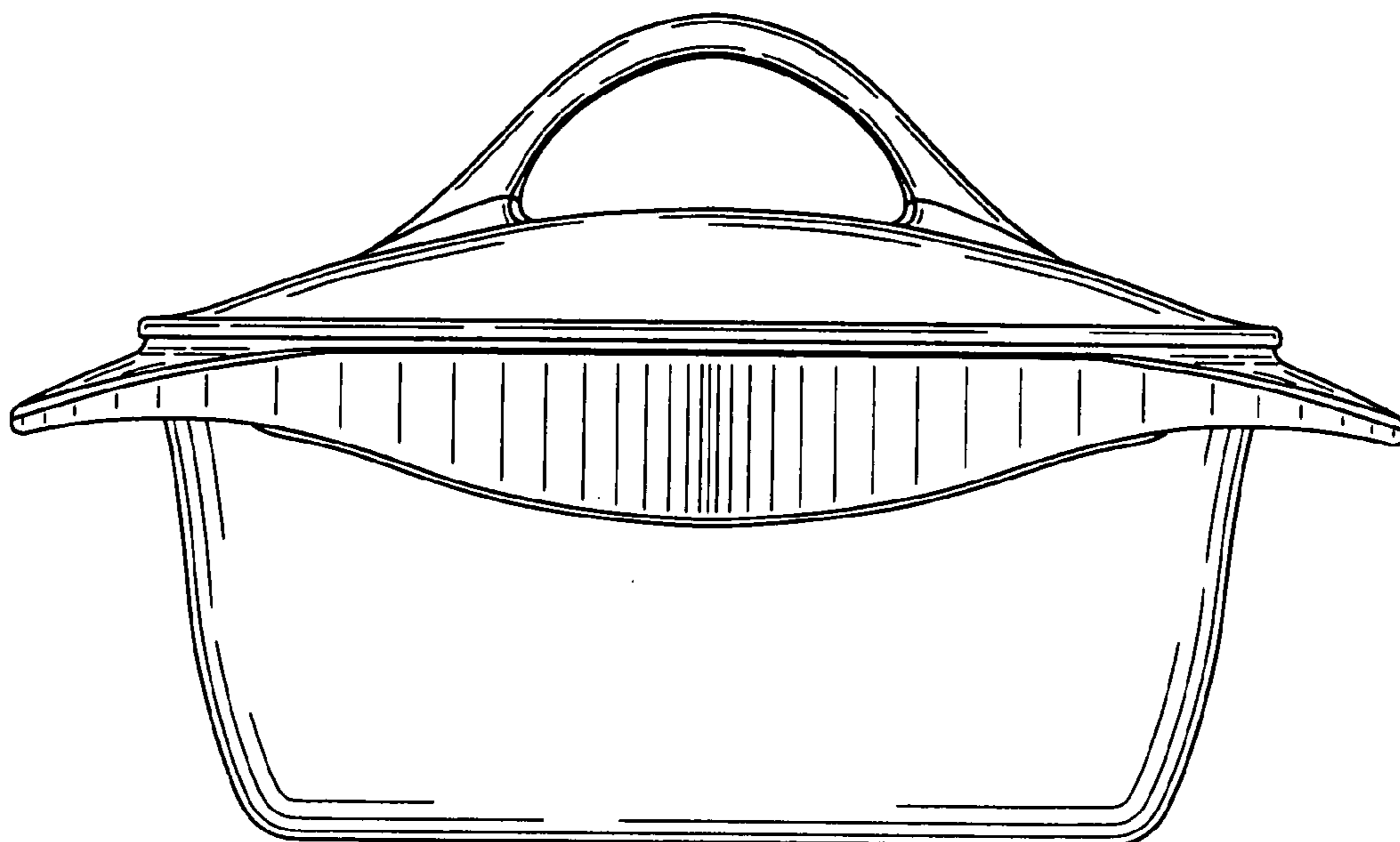


Fig. 4

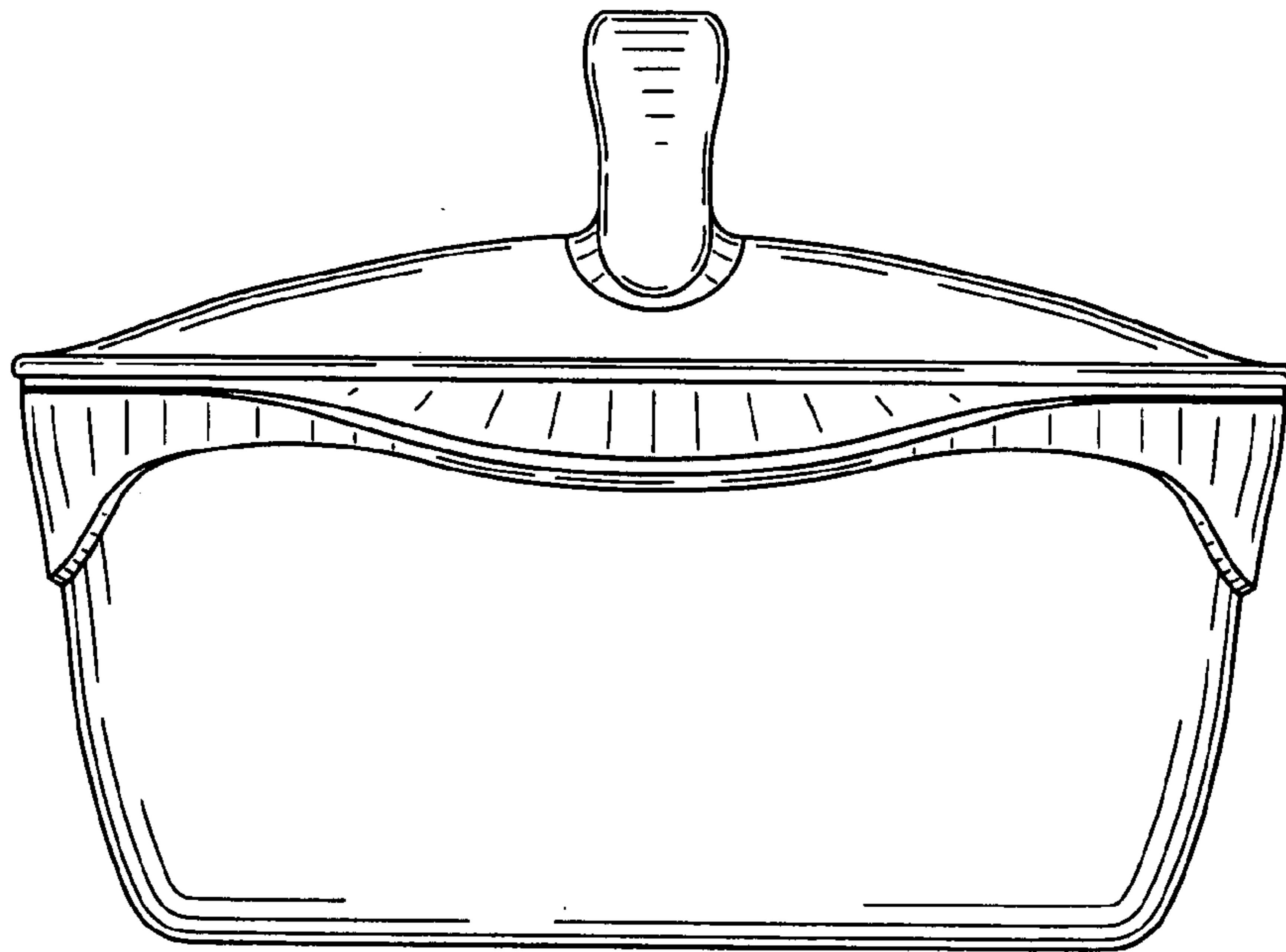


Fig. 5

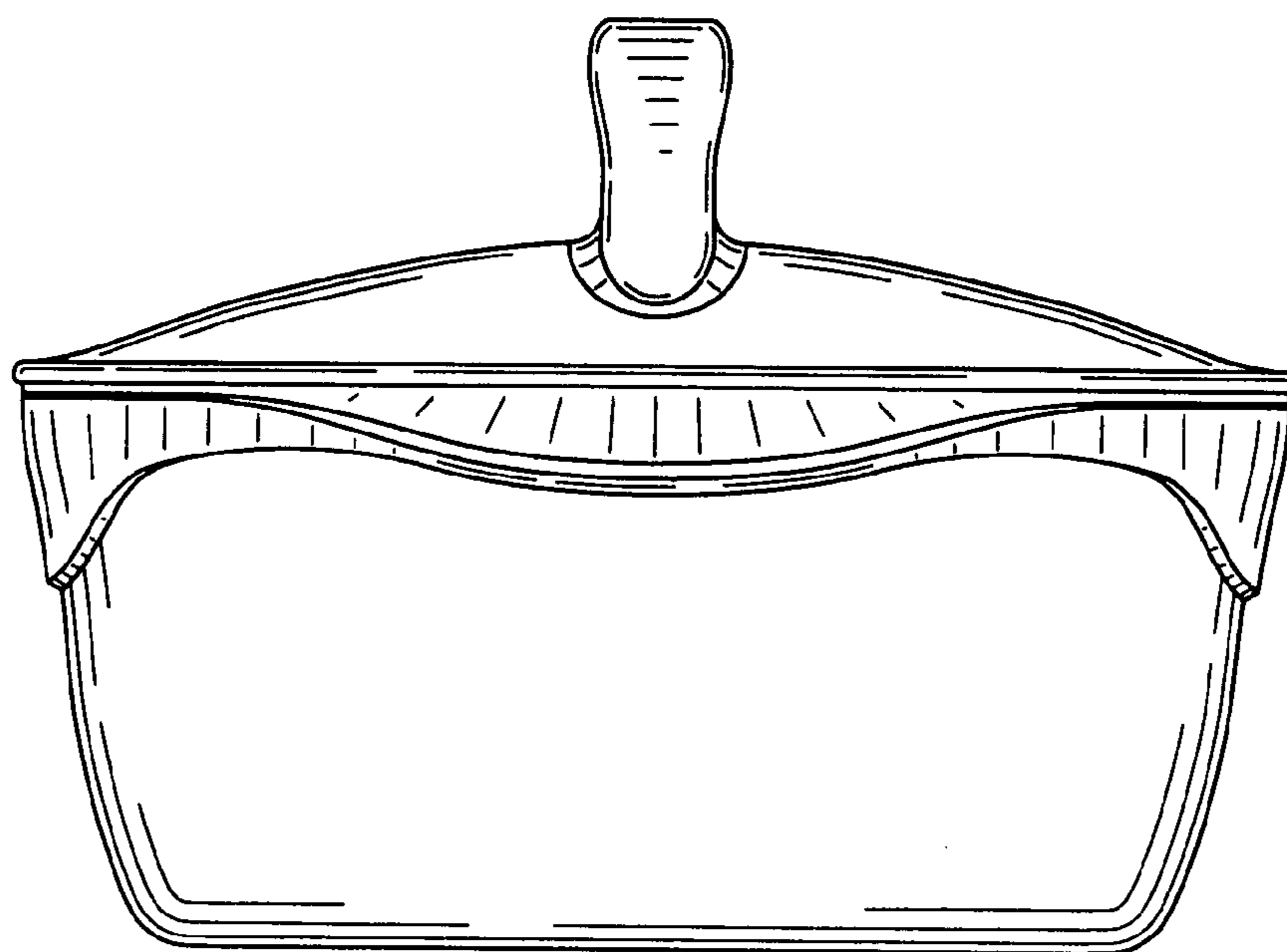


Fig. 6

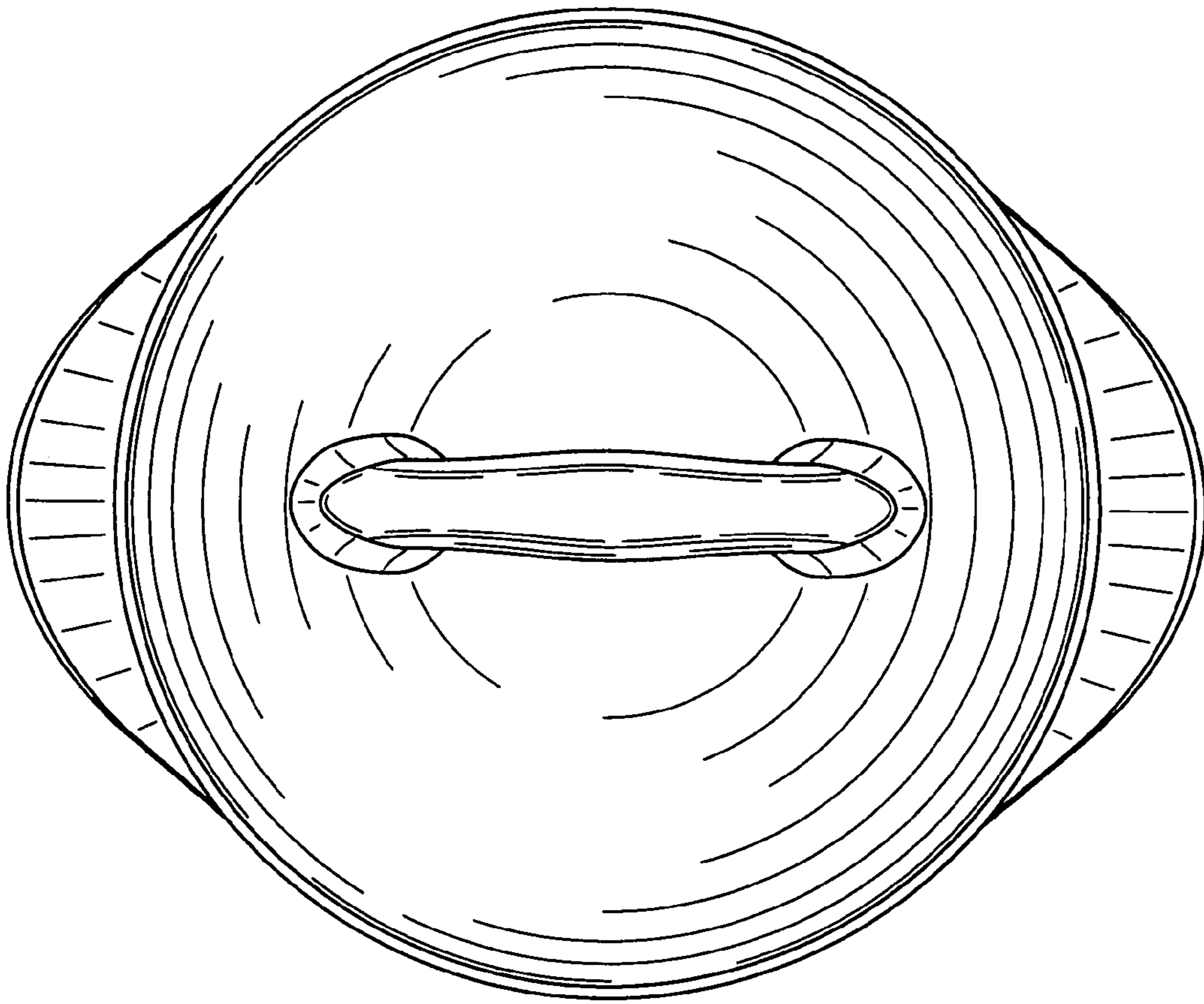


Fig. 7

