



US00D557550S

(12) **United States Design Patent**
Abbo

(10) **Patent No.:** **US D557,550 S**

(45) **Date of Patent:** **** Dec. 18, 2007**

(54) **COOKING DEVICE**

(76) Inventor: **Adam Abbo**, 6430 Galaxie Dr.,
Oklahoma City, OK (US) 73132

(**) Term: **14 Years**

(21) Appl. No.: **29/225,115**

(22) Filed: **Mar. 11, 2005**

(51) **LOC (8) Cl.** **07-02**

(52) **U.S. Cl.** **D7/354**

(58) **Field of Classification Search** D3/24-25;
D6/457, 469, 472, 552; D7/323, 354-361,
D7/393-395, 402, 500, 538-548, 584-588;
D9/504; 99/339, 386, 403, 425-426; 126/25 R,
126/38; 211/70.2; 220/573.1-573.3, 912;
242/118.41; 294/159

See application file for complete search history.

(56) **References Cited**

U.S. PATENT DOCUMENTS

- 3,109,360 A * 11/1963 Baume 99/386
- 3,450,123 A * 6/1969 Tidd 126/25 R
- D234,381 S * 2/1975 Berger D6/469
- D260,207 S * 8/1981 Whyte D6/469
- 5,137,319 A * 8/1992 Sauder 294/159

- 5,188,243 A * 2/1993 Ruiz 211/70.2
- D335,595 S * 5/1993 Bowen D6/472
- D361,223 S * 8/1995 Sanson D6/457
- 5,513,623 A * 5/1996 Hong 126/38
- D394,575 S * 5/1998 Mikloczak et al. D6/552
- D463,197 S * 9/2002 Hall D7/337
- D474,974 S * 5/2003 Bakic D9/504
- 7,100,856 B2 * 9/2006 Murphy, Jr. 242/118.41

* cited by examiner

Primary Examiner—Mimosa De

Assistant Examiner—Ricky Pham

(74) *Attorney, Agent, or Firm*—Bill D. McCarthy; Fellers,
Snider, et al.

(57) **CLAIM**

The ornamental design for a cooking device, as shown.

DESCRIPTION

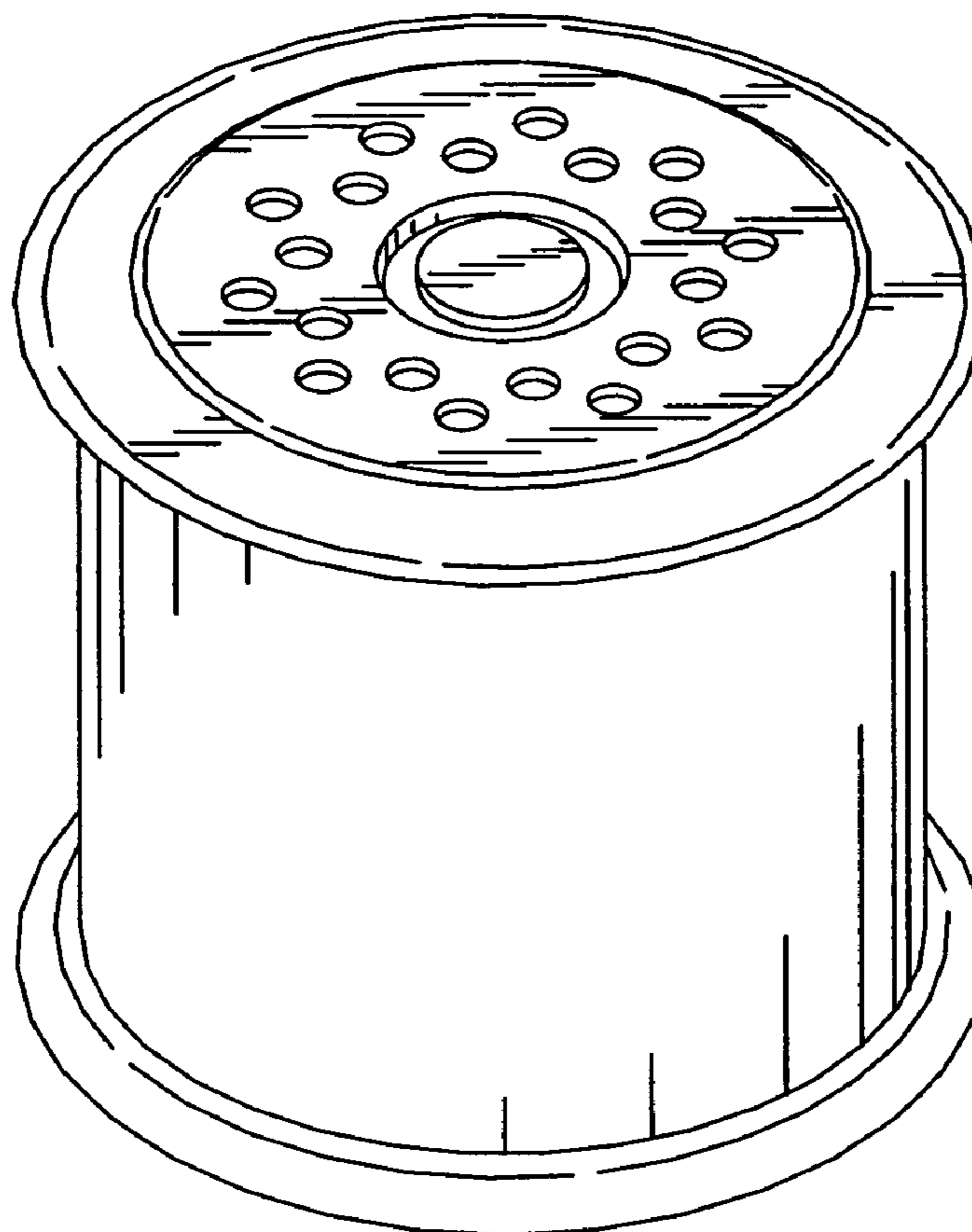
FIG. 1 is a perspective view of a cooking device showing my
new design;

FIG. 2 is a top view thereof;

FIG. 3 is a side view thereof; and,

FIG. 4 is a bottom view thereof.

1 Claim, 2 Drawing Sheets



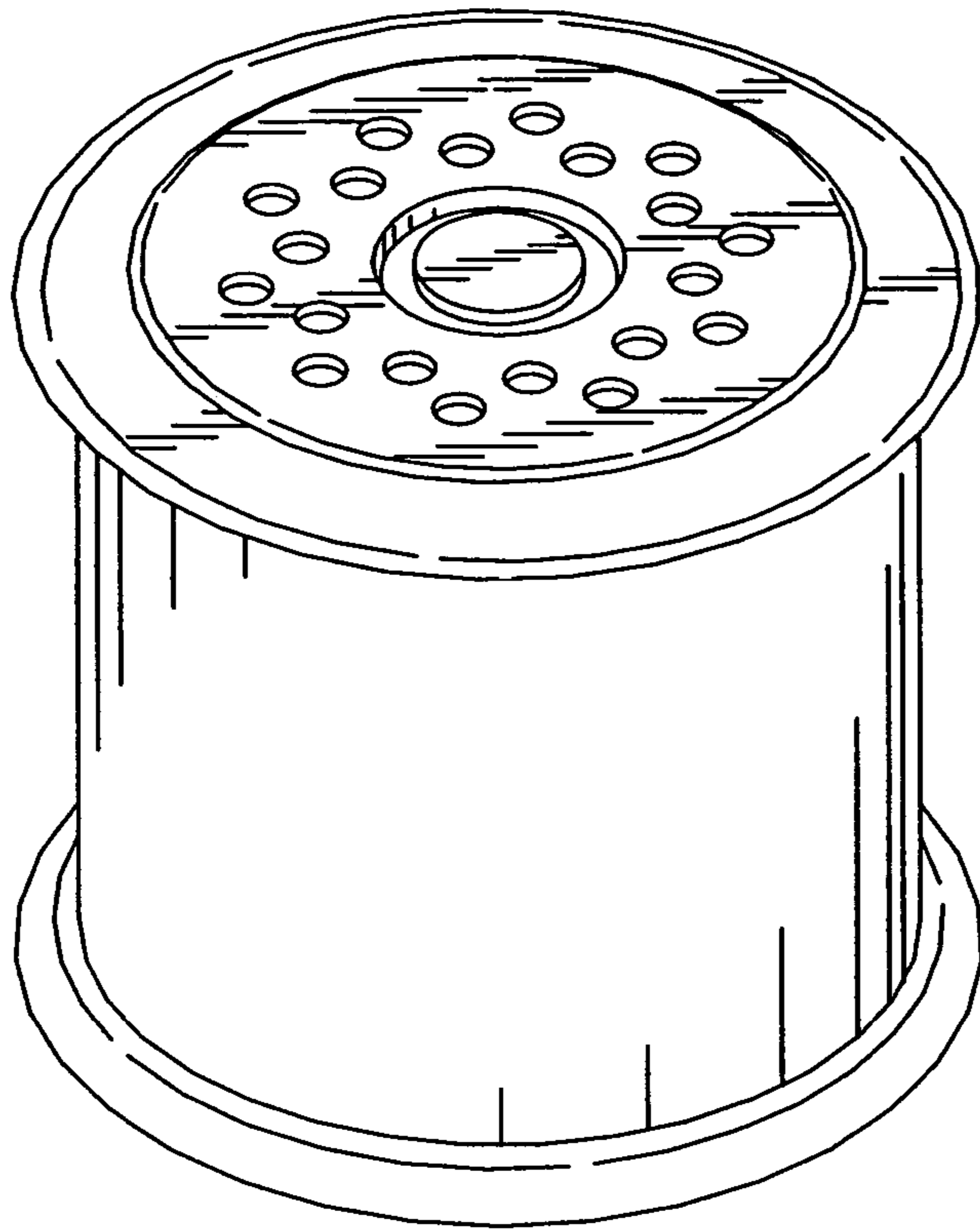


FIG. 1

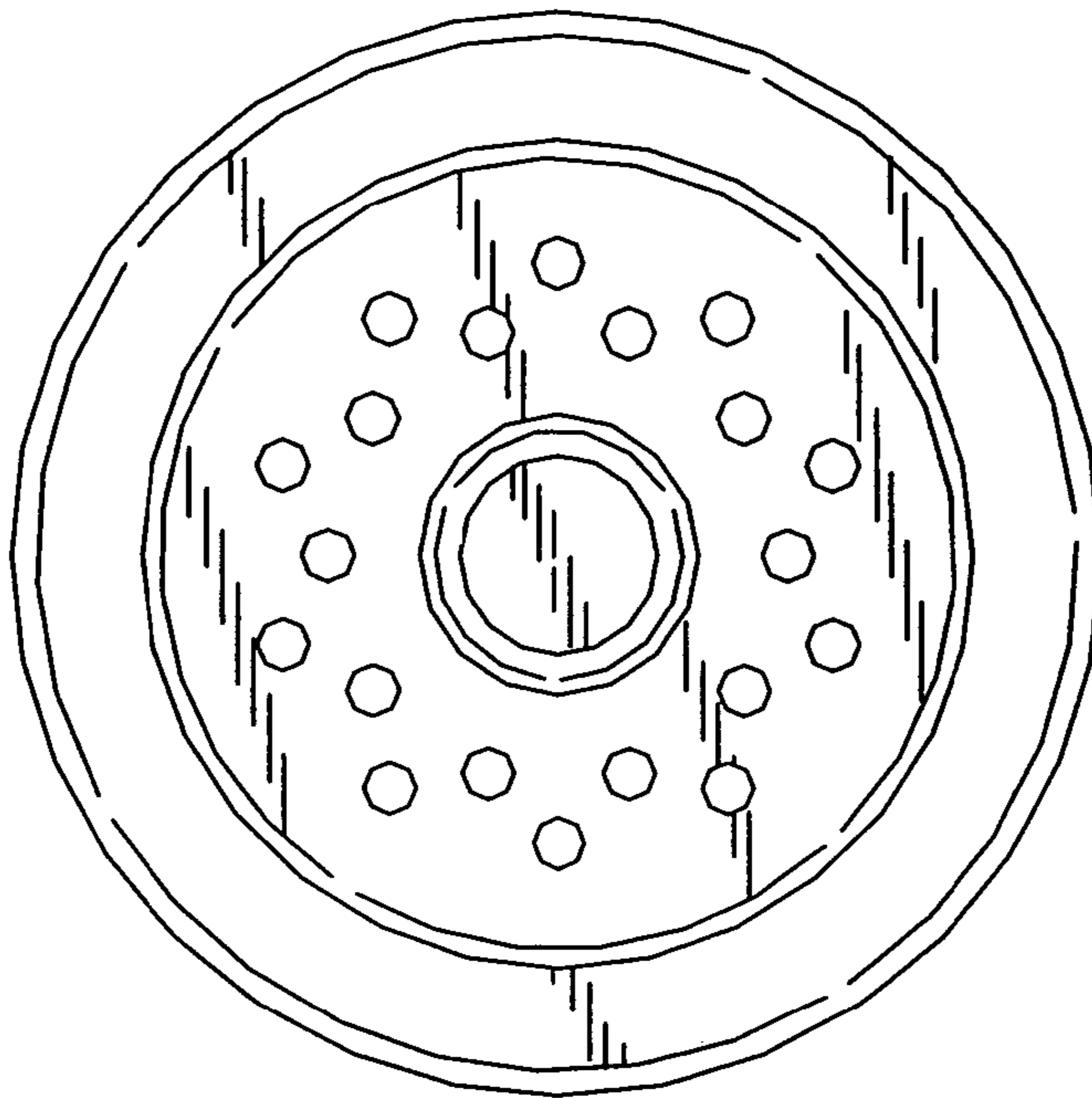


FIG. 2

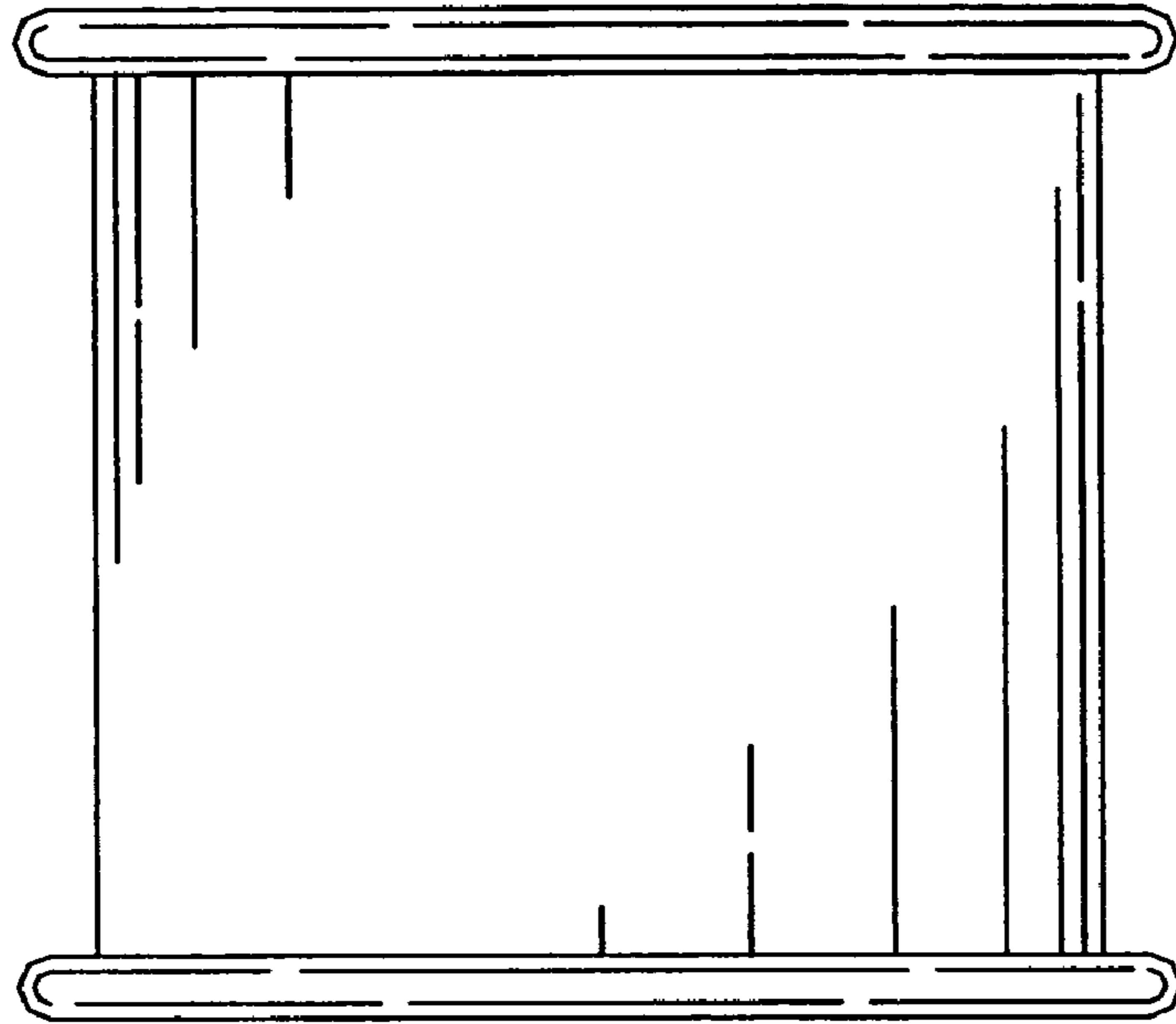


FIG. 3

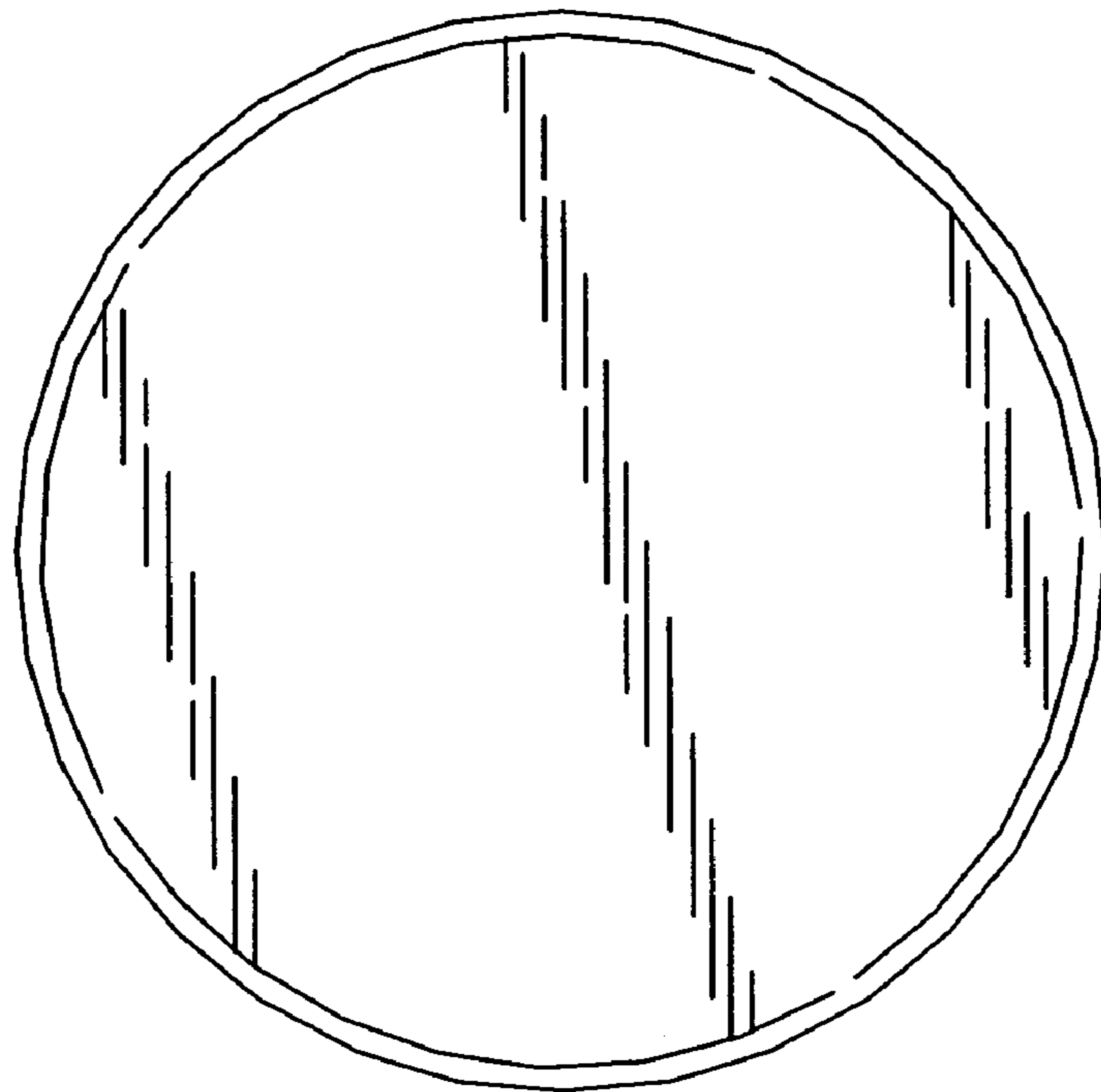


FIG. 4