



US00D557547S

(12) **United States Design Patent** (10) **Patent No.:** **US D557,547 S**  
**Knoell et al.** (45) **Date of Patent:** **\*\* Dec. 18, 2007**

(54) **BUILT-IN COFFEE APPARATUS**  
(75) Inventors: **Sebastian Knoell**, Munich (DE);  
**Gerhard Nuessler**, Munich (DE)  
(73) Assignee: **BSH Bosch und Siemens Hausgeraete GmbH**, Munich (DE)  
(\*\*) Term: **14 Years**

D424,871 S \* 5/2000 Hahn ..... D7/397  
D444,986 S \* 7/2001 Smith et al. .... D7/311  
6,253,663 B1 \* 7/2001 Spencer ..... 99/279  
D460,489 S \* 7/2002 Dickson ..... D20/5  
D495,189 S \* 8/2004 Cahen ..... D7/309  
D498,637 S \* 11/2004 Heilstedt et al. .... D7/306  
D499,599 S \* 12/2004 Morrison ..... D7/309  
D505,292 S \* 5/2005 Spencer ..... D7/309  
D538,578 S \* 3/2007 McWilliam ..... D7/309  
D540,608 S \* 4/2007 Cahen ..... D7/309

(21) Appl. No.: **29/236,233**

\* cited by examiner

(22) Filed: **Aug. 12, 2005**

*Primary Examiner*—M. N. Pandozzi

(30) **Foreign Application Priority Data**

(74) *Attorney, Agent, or Firm*—Russell W. Warnock; Craig J. Loest; James E. Howard

Feb. 15, 2005 (EM) ..... 000304720

(57) **CLAIM**

(51) **LOC (8) Cl.** ..... **07-01**  
(52) **U.S. Cl.** ..... **D7/309; D7/308; D7/311**  
(58) **Field of Classification Search** ..... **D7/309-311,**  
**D7/306-308; D20/4, 8; 99/279, 300, 304,**  
**99/305**

The ornamental design for a built-in coffee apparatus, as shown and described.

See application file for complete search history.

**DESCRIPTION**

(56) **References Cited**

FIG. 1 is a perspective view of a built-in coffee apparatus showing my ornamental design;

**U.S. PATENT DOCUMENTS**

FIG. 2 is a front plan view of the built-in coffee apparatus embodiment shown in FIG. 1;

3,000,408 A \* 9/1961 Vischer, Jr. .... 141/174  
D204,590 S \* 5/1966 Long ..... D7/305  
D211,773 S \* 7/1968 Schroeder ..... D15/85  
3,511,166 A \* 5/1970 Bixby, Jr. .... 99/295  
D259,790 S \* 7/1981 Hentschel ..... D7/311  
4,630,532 A \* 12/1986 Sonnentag et al. .... 99/279  
D298,722 S \* 11/1988 Nomura ..... D7/305  
D299,900 S \* 2/1989 Marotta ..... D7/309  
4,909,136 A \* 3/1990 Newman et al. .... 99/289 R  
D371,037 S \* 6/1996 De Felip ..... D7/309  
D385,457 S \* 10/1997 Sellers ..... D7/397  
D387,809 S \* 12/1997 Reese et al. .... D20/8  
D391,608 S \* 3/1998 Fink et al. .... D20/8  
D396,987 S \* 8/1998 Seiffert ..... D7/309  
D400,928 S \* 11/1998 Waffensmith et al. .... D20/8

FIG. 3 is a front plan view of the built-in coffee apparatus embodiment shown in FIG. 1;

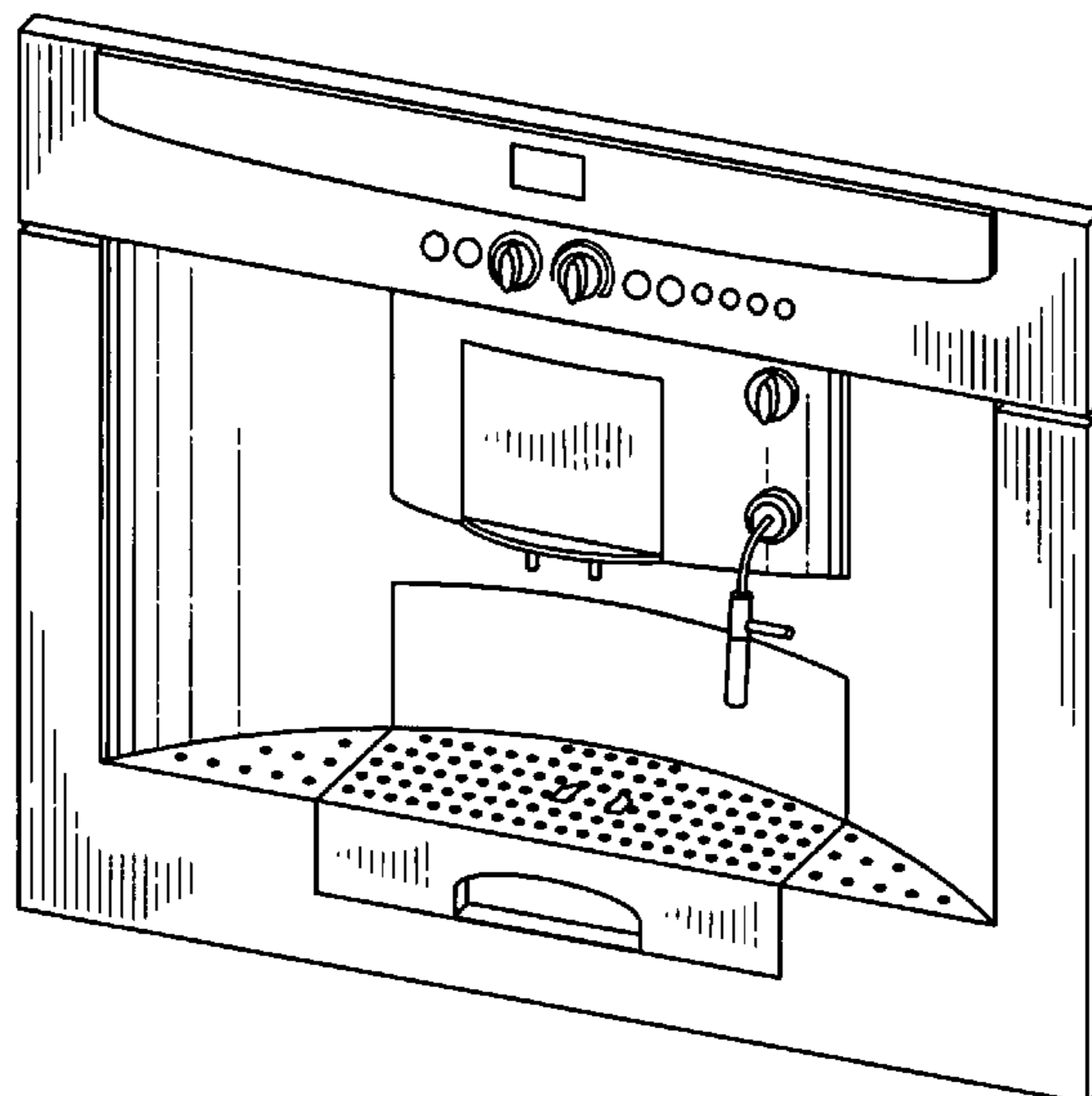
FIG. 4 is a partial front perspective view thereof, shown enlarged and broken away for ease of illustration;

FIG. 5 is a perspective view of the built-in coffee apparatus embodiment shown in FIG. 1;

FIG. 6 is a perspective view of the built-in coffee apparatus embodiment shown in FIG. 1; and,

FIG. 7 is a perspective view of the built-in coffee apparatus embodiment shown in FIG. 1.

**1 Claim, 5 Drawing Sheets**



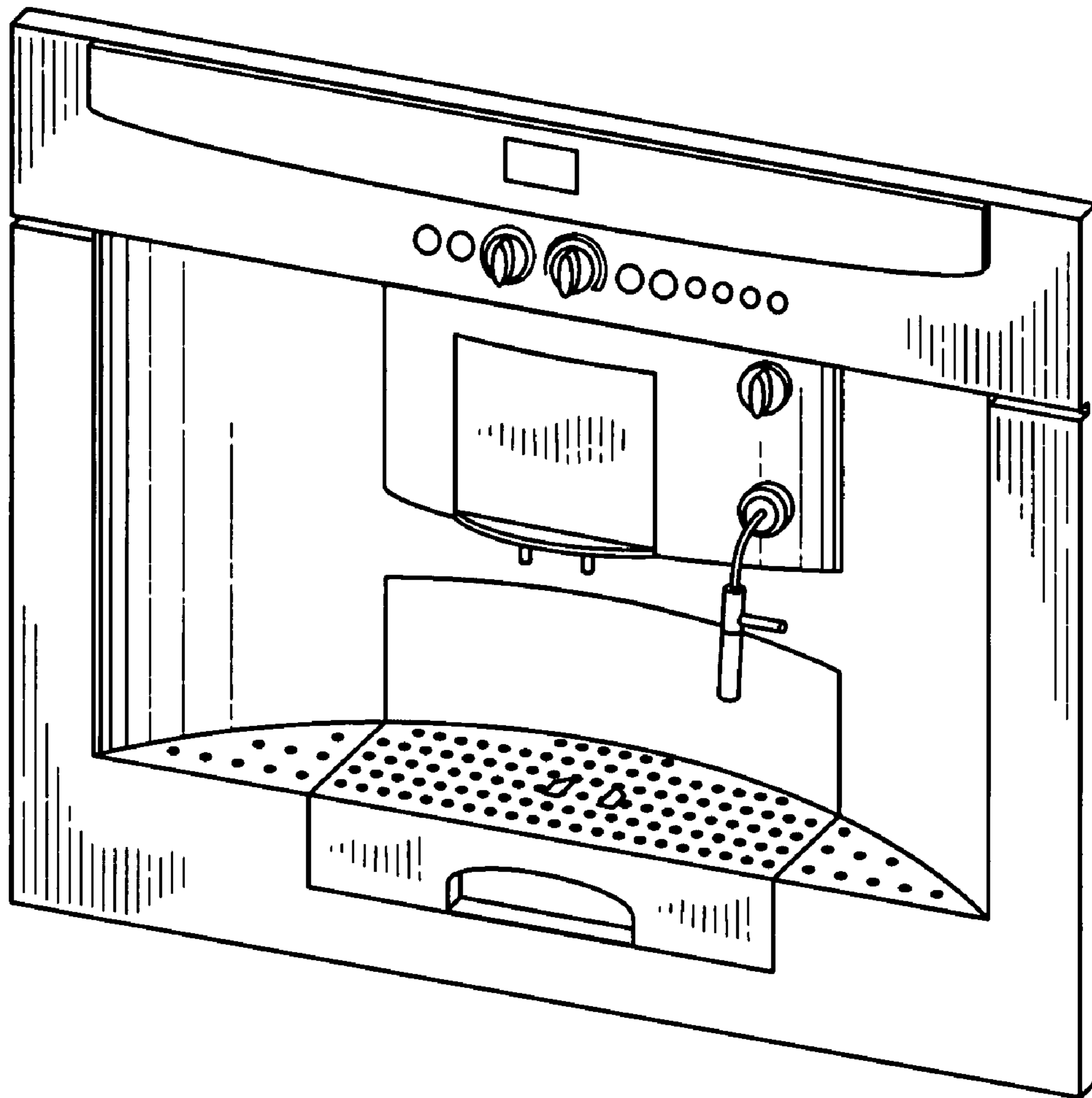


FIG. 1

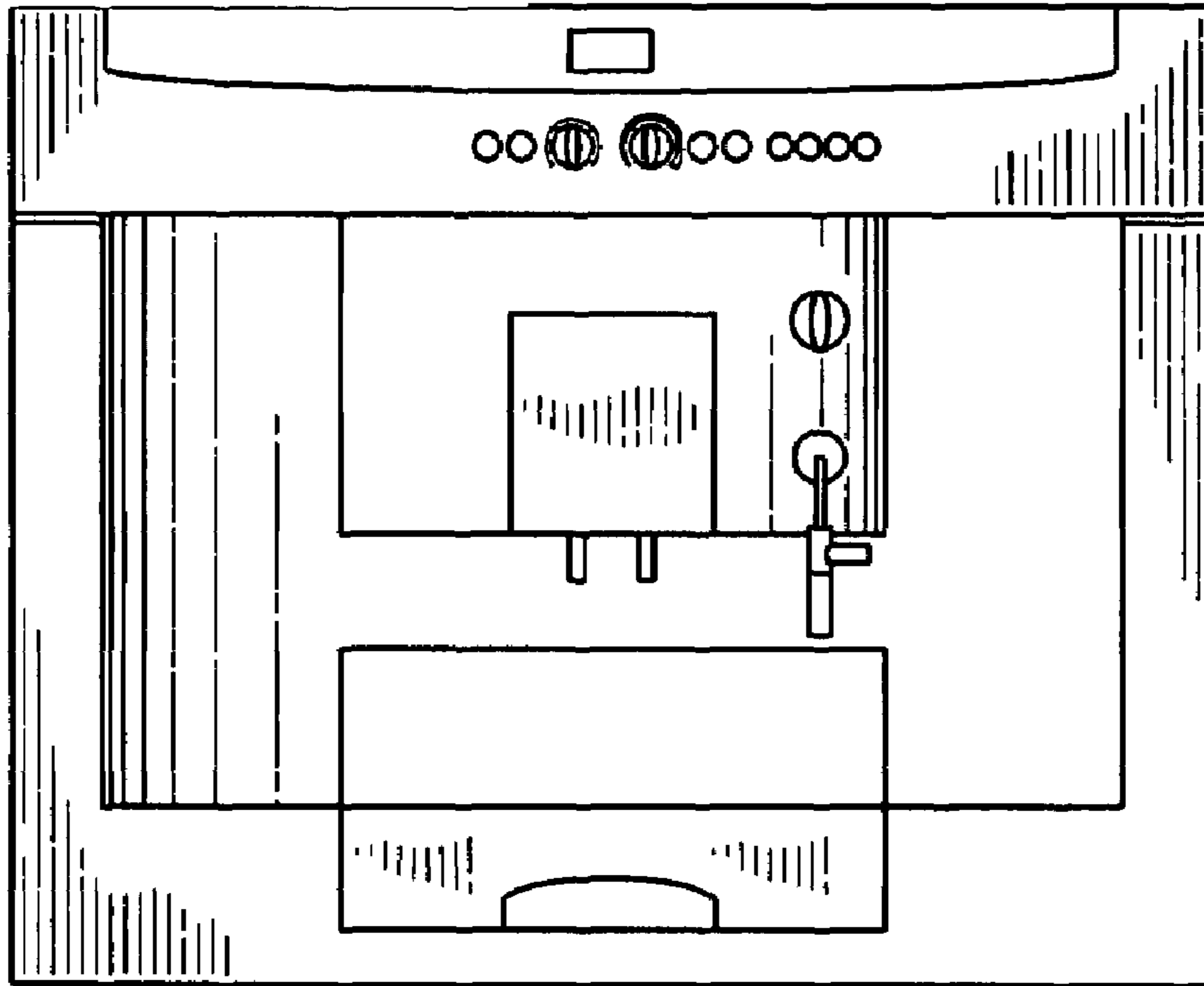


FIG. 2

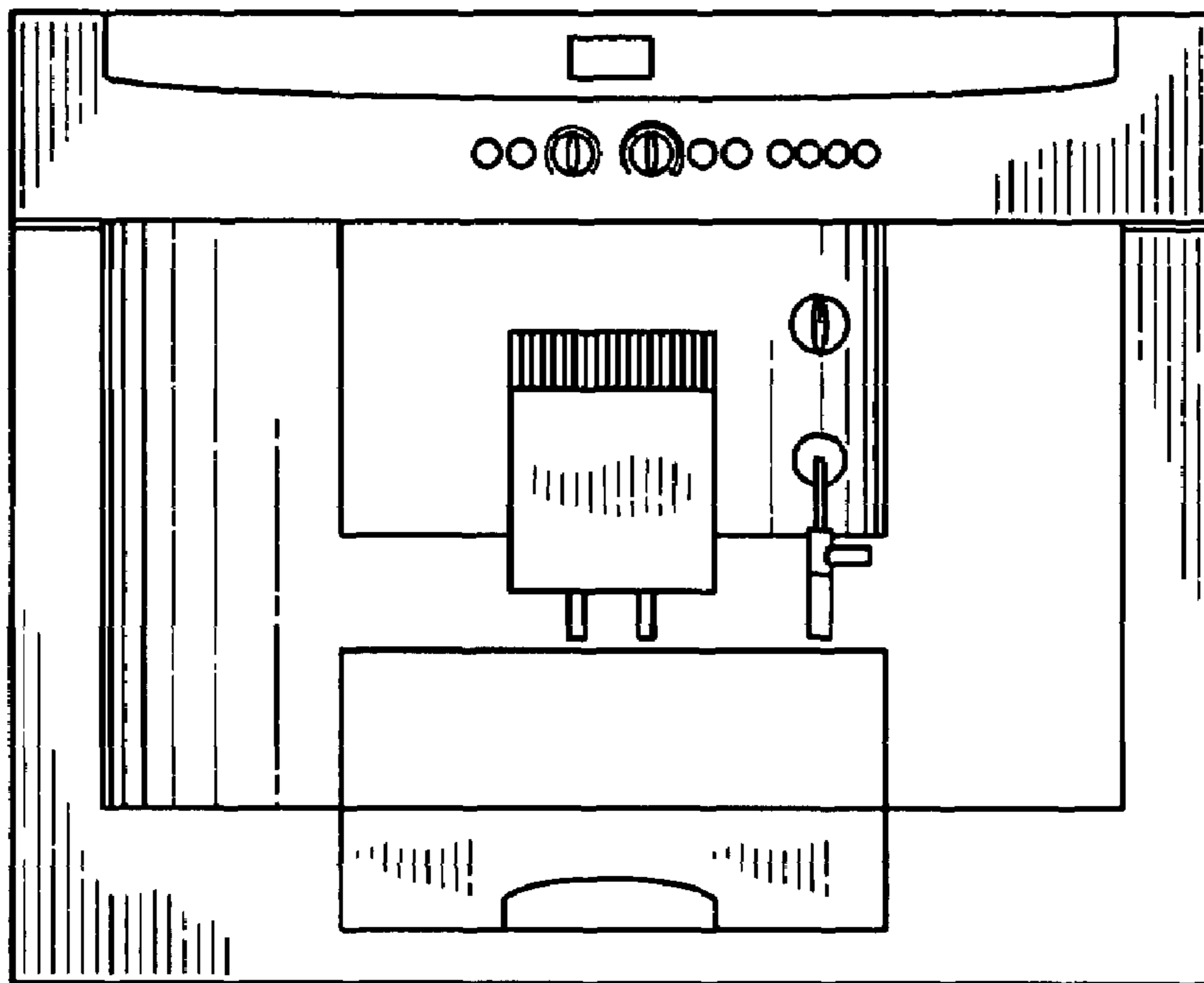


FIG. 3

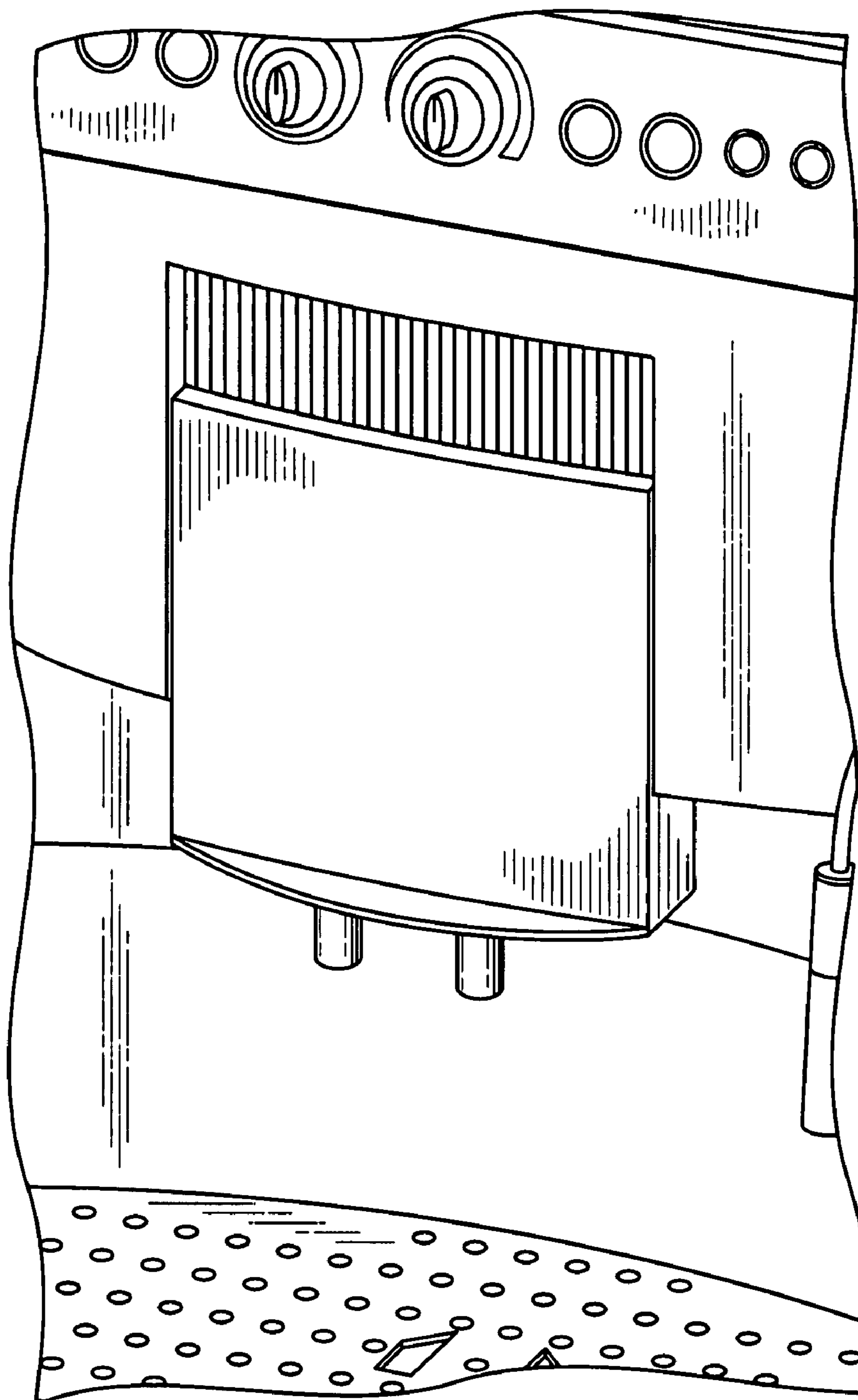


FIG. 4

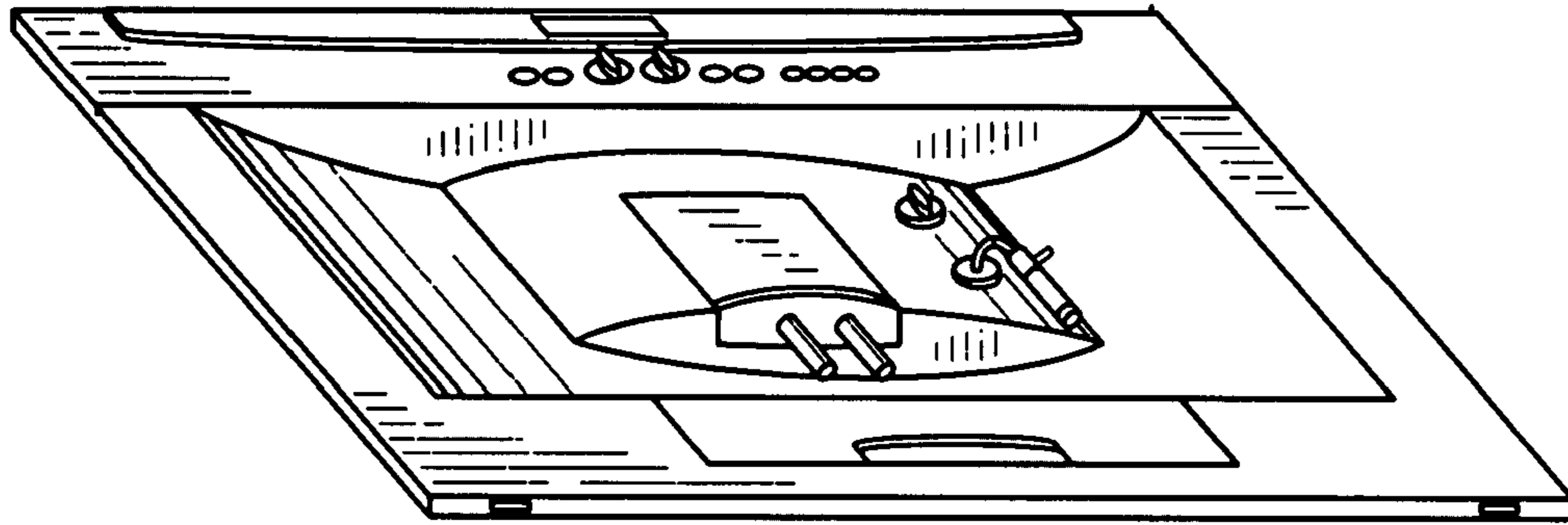


FIG. 5

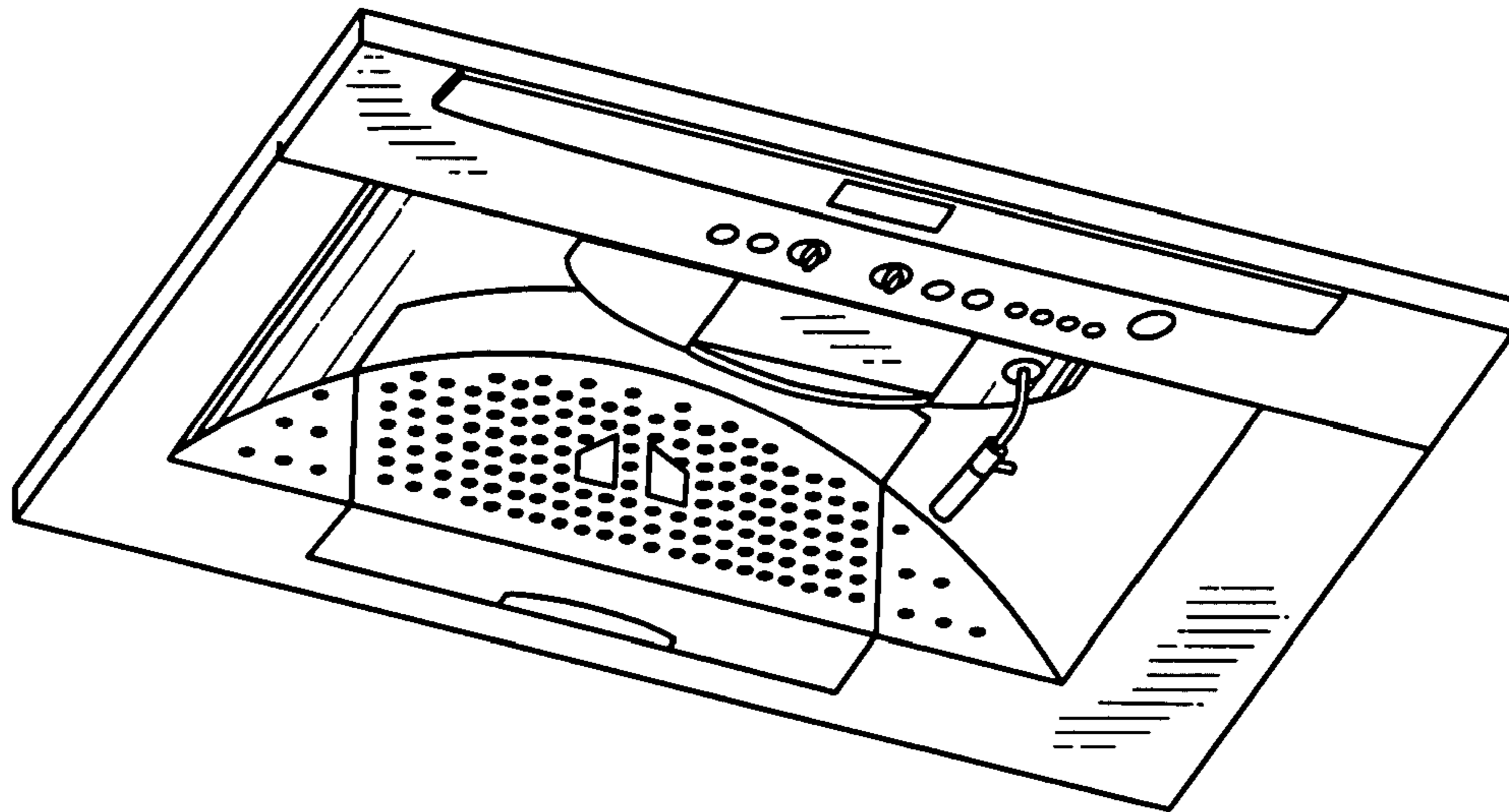


FIG. 6

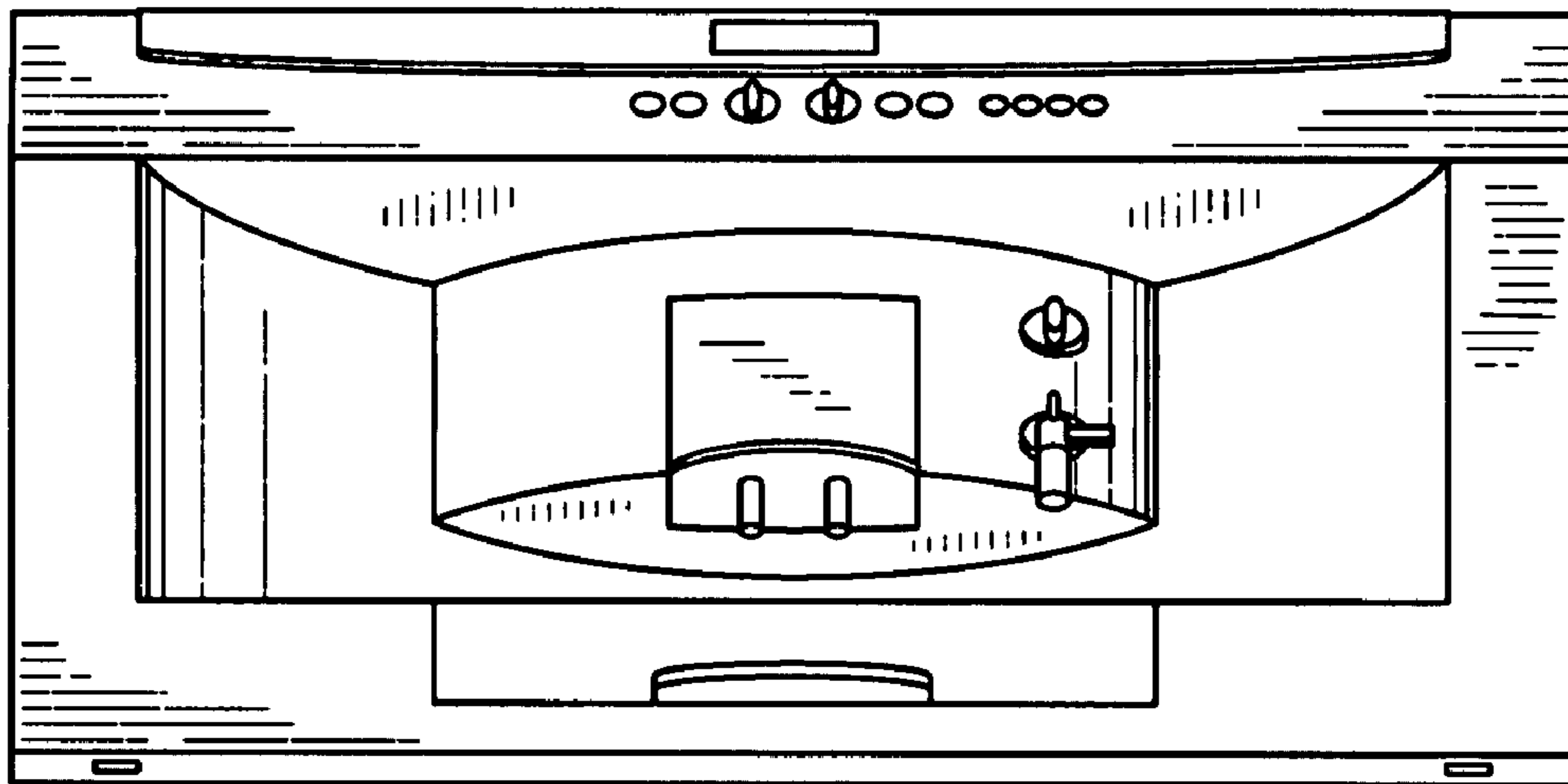


FIG. 7