



US00D557544S

(12) **United States Design Patent**
Mashinske

(10) **Patent No.: US D557,544 S**

(45) **Date of Patent: ** Dec. 18, 2007**

(54) **PWB-RACK**

(75) Inventor: **James Mashinske**, Livonia, MI (US)

(73) Assignee: **James T Mashinske**, Livonia, MI (US)

(**) Term: **14 Years**

(21) Appl. No.: **29/249,828**

(22) Filed: **Oct. 23, 2006**

(51) **LOC (8) Cl. 06-04**

(52) **U.S. Cl. D6/570**

(58) **Field of Classification Search** D6/320-324,
D6/327, 396, 462, 465, 512, 555, 409, 449,
D6/552-553, 566-574; 211/13.1, 16, 17,
211/23, 49.1, 59.4, 64, 70.5, 70.6, 86.01,
211/87.01, 90.01, 90.02, 105.1, 123, 126.1,
211/126.2, 190, 128.1, 191, 181.1, 182, 175,
211/207; 108/28-29, 42, 59, 64, 91; 248/49,
248/67.7, 175, 176.1

See application file for complete search history.

(56) **References Cited**

U.S. PATENT DOCUMENTS

4,347,795	A	*	9/1982	Makinen	D6/570
D294,098	S	*	2/1988	Mayo	D6/566
D321,452	S	*	11/1991	Davis	D6/571
D362,576	S	*	9/1995	Mele	D6/566
D390,724	S	*	2/1998	Parker et al.	D6/462

D409,005	S	*	5/1999	Knight	D6/570
D466,748	S	*	12/2002	Battaglia et al.	D6/566
D486,683	S	*	2/2004	Devine	D6/566
D495,531	S	*	9/2004	Allshouse et al.	D6/462

* cited by examiner

Primary Examiner—Brian N Vinson

(57) **CLAIM**

The ornamental design for PWB-rack, as shown and described.

DESCRIPTION

FIG. 1 is a perspective view of a PWB-rack of the present invention, illustrating two positions for a rear aluminum bar for accommodating two different styles of mounting packs, and further illustrating hitch pin clips for securing the aluminum rods for easy assembly;

FIG. 2 is a front elevational view of the invention, illustrating four mounting holes for locating the bracket onto wall studs;

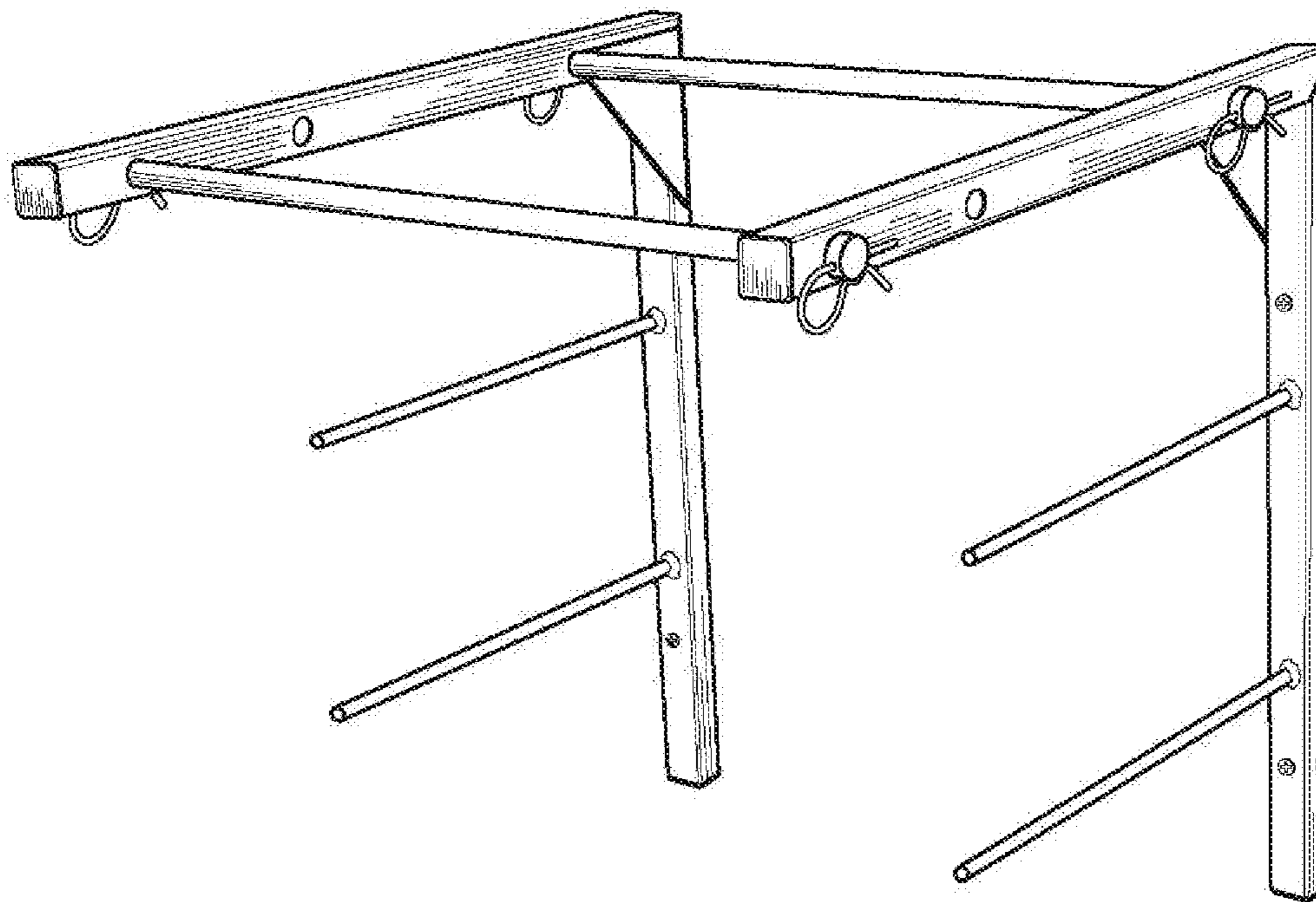
FIG. 3 is a rear elevational view of the invention;

FIG. 4 is a left-side elevational view of the invention, the right-side elevational view being a mirror image thereof;

FIG. 5 is a top plan view of the invention; and,

FIG. 6 is a bottom plan view of the invention.

1 Claim, 2 Drawing Sheets



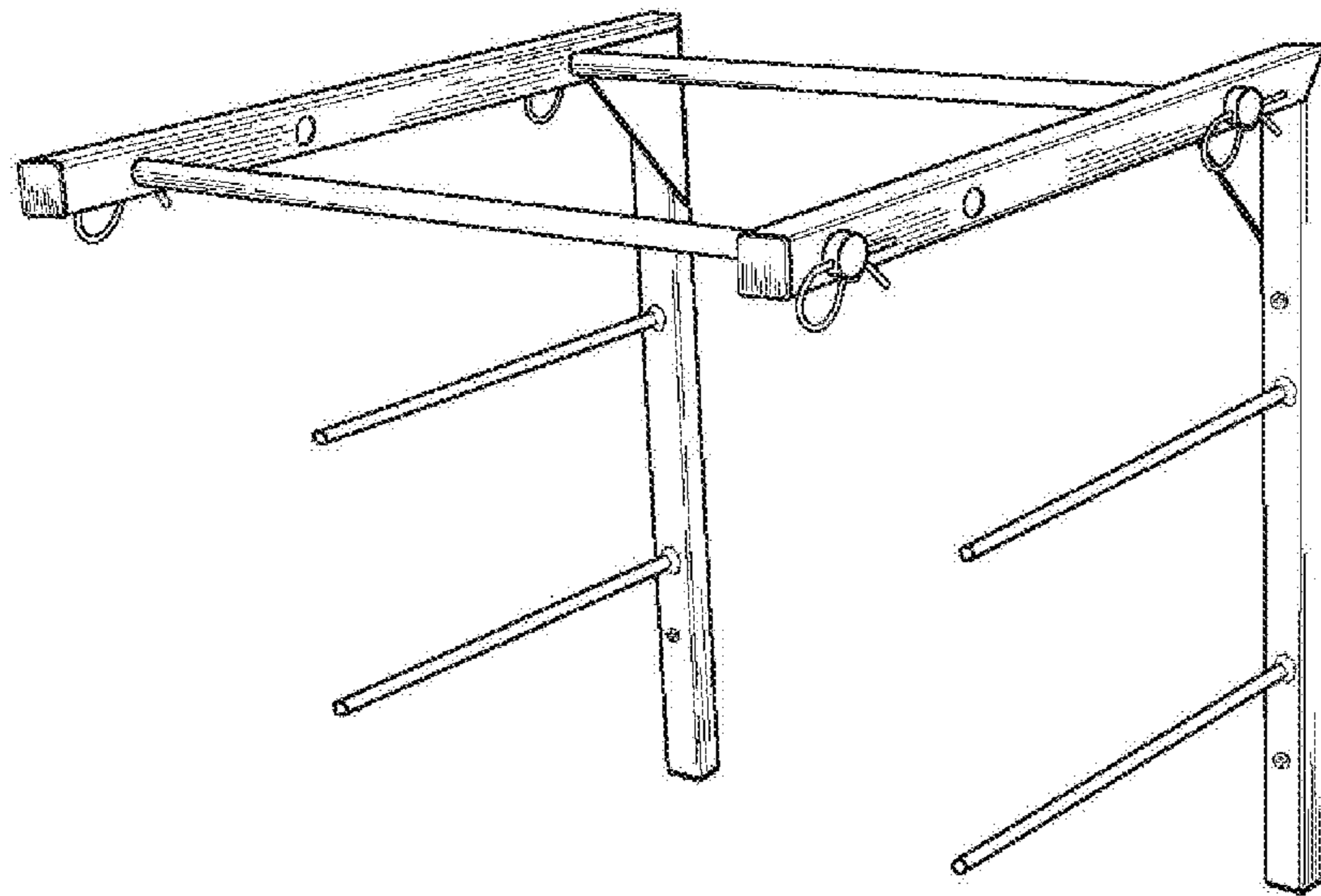


FIG. 1

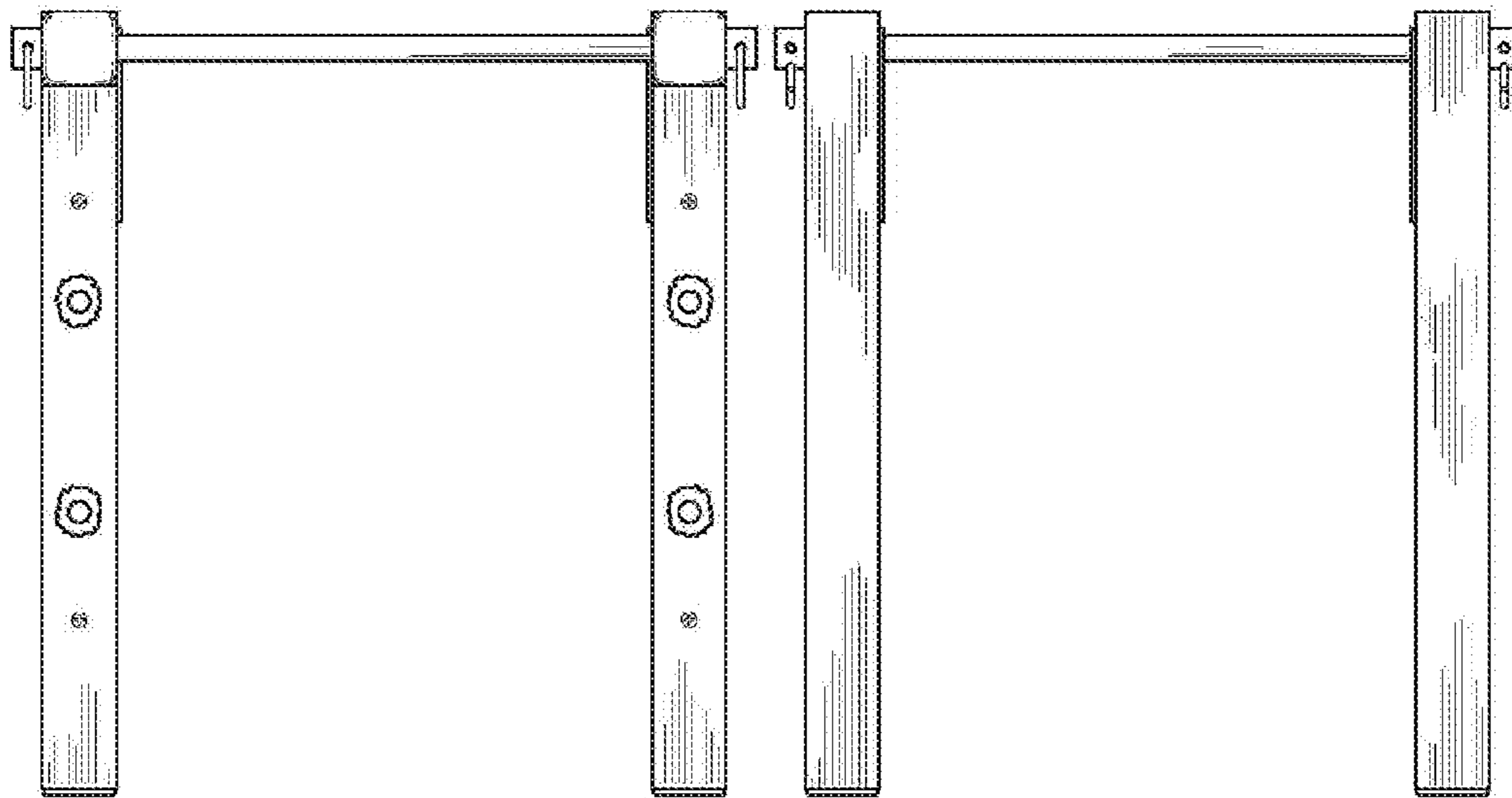


FIG. 2

FIG. 3

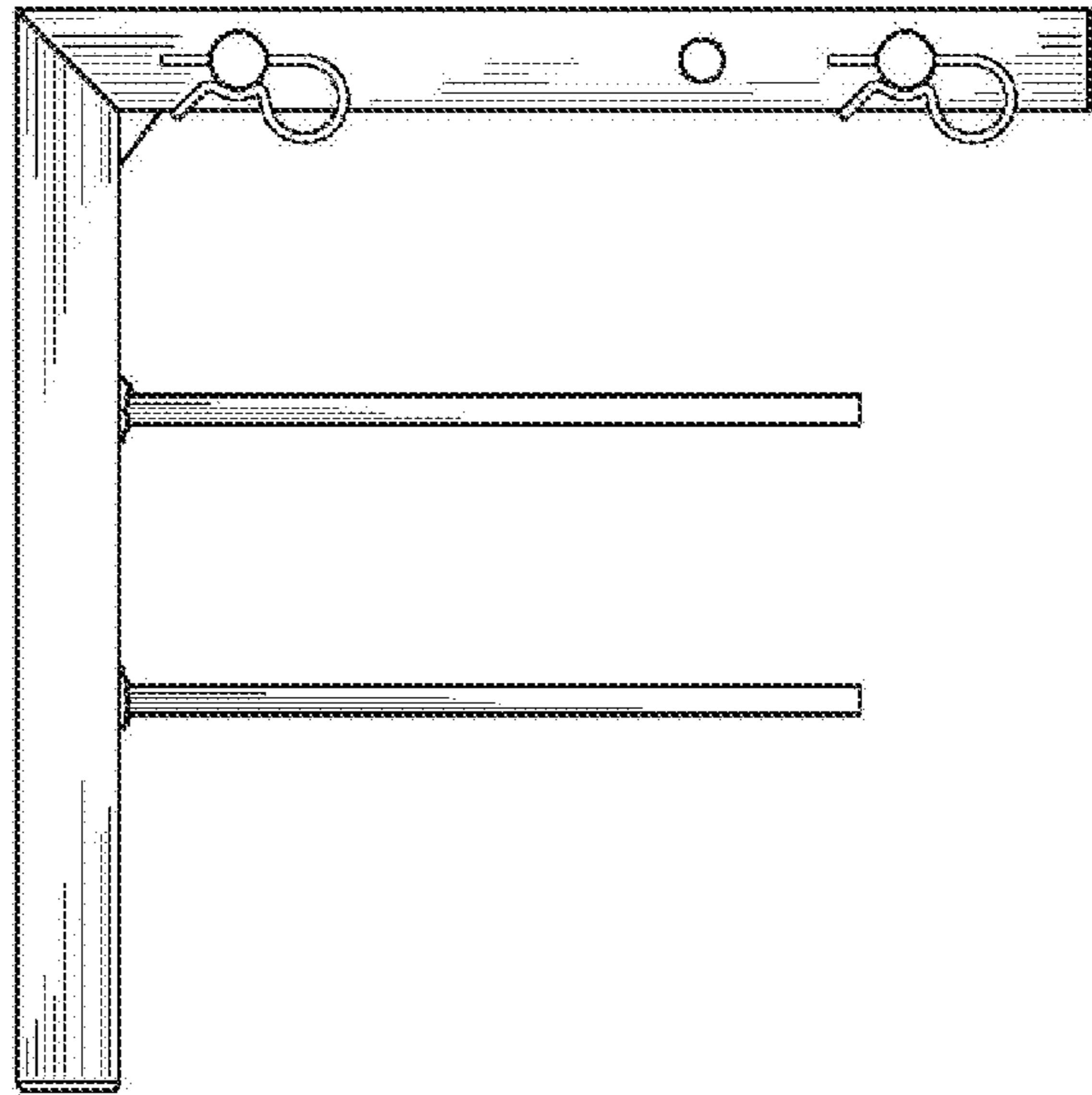


FIG. 4

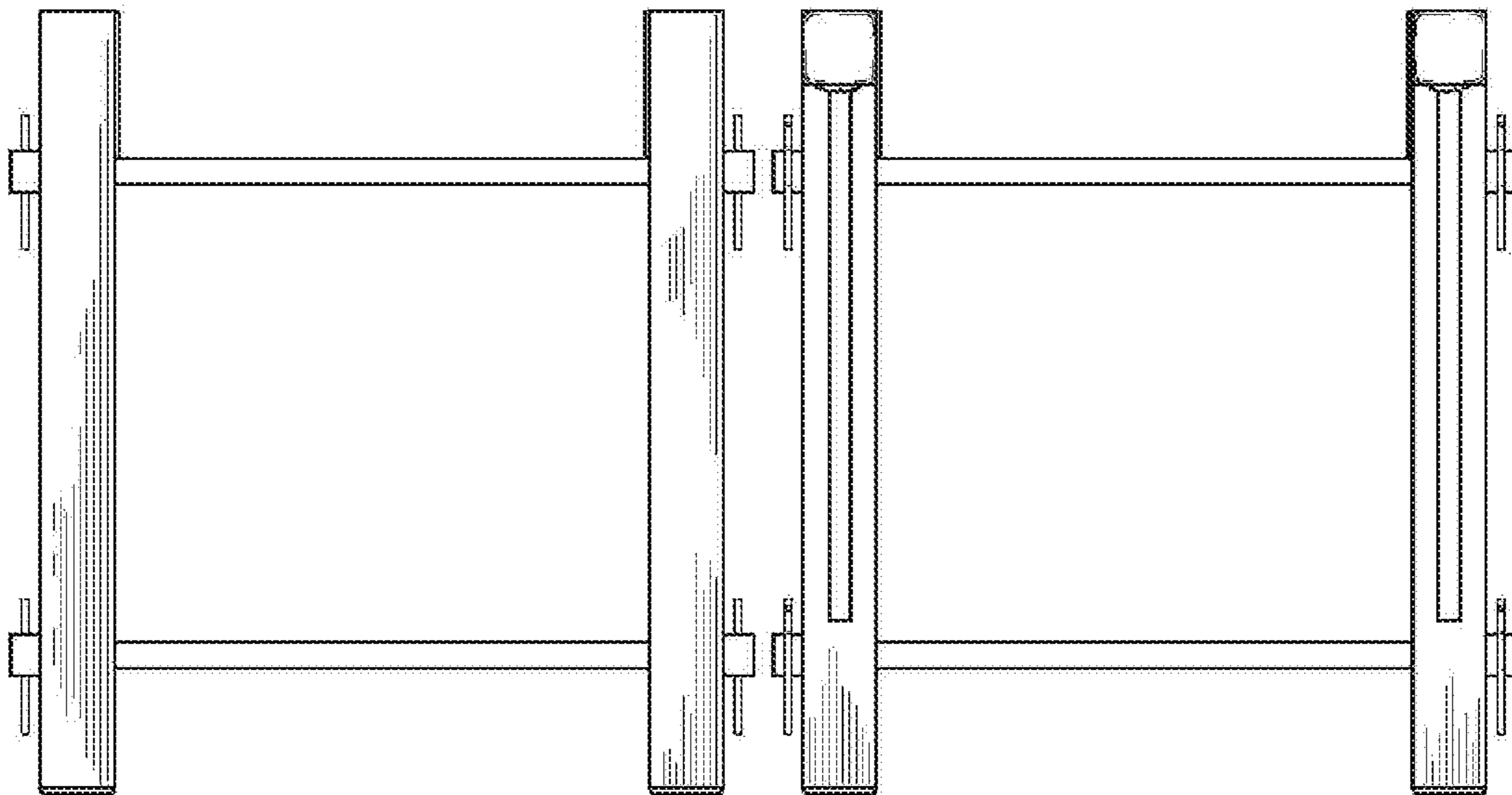


FIG. 5

FIG. 6