



US00D557540S

(12) **United States Design Patent**  
**Maycock**

(10) **Patent No.:** **US D557,540 S**

(45) **Date of Patent:** **\*\* Dec. 18, 2007**

(54) **HOOP BOX**

(76) **Inventor:** **Timothy M. Maycock**, 1305 W. 1200  
North, Ogden, UT (US) 84404

(\*\*) **Term:** **14 Years**

(21) **Appl. No.:** **29/265,378**

(22) **Filed:** **Aug. 29, 2006**

(51) **LOC (8) Cl.** ..... **08-08**

(52) **U.S. Cl.** ..... **D6/552**

(58) **Field of Classification Search** ..... D6/552,  
D6/567-570; 206/315.9, 503; 211/13.1,  
211/49.1; 312/234, 245

See application file for complete search history.

(56) **References Cited**

**U.S. PATENT DOCUMENTS**

- D248,809 S \* 8/1978 Kailey ..... D6/552
- D311,565 S \* 10/1990 Buri et al. .... D6/552
- D314,287 S \* 2/1991 Albright, Sr. .... D6/552

- D322,166 S 12/1991 D'Angeli
- D322,167 S 12/1991 D'Angeli
- D389,688 S \* 1/1998 Iacono ..... D6/552
- D461,986 S \* 8/2002 Talley ..... D6/552
- 6,454,105 B1 \* 9/2002 Medina ..... 211/49.1
- D499,921 S \* 12/2004 Moon et al. .... D6/552

\* cited by examiner

*Primary Examiner*—Brian N Vinson

(74) *Attorney, Agent, or Firm*—Raymond M. Galasso;  
Galasso & Associates, LP

(57) **CLAIM**

The ornamental design for hoop box, as shown.

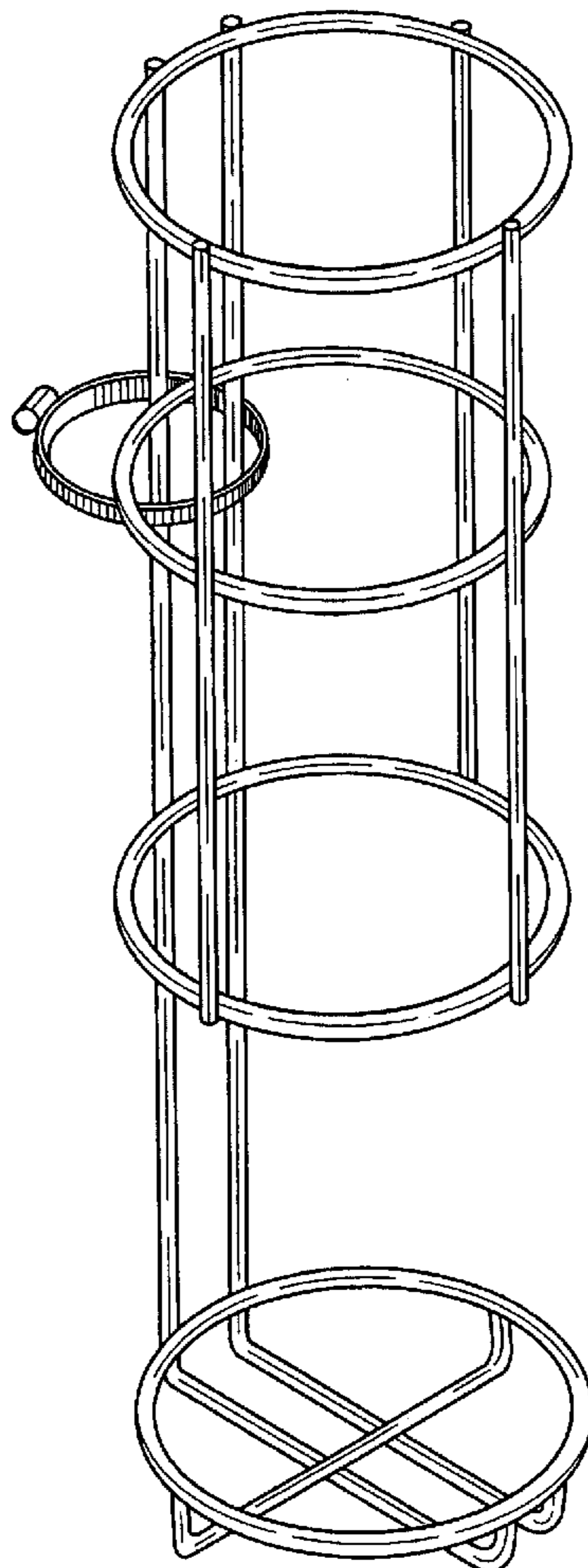
**DESCRIPTION**

FIG. 1 is a perspective view of hoop box, showing my new design;

FIG. 2 is a top view thereof; and,

FIG. 3 is a side view thereof.

**1 Claim, 3 Drawing Sheets**



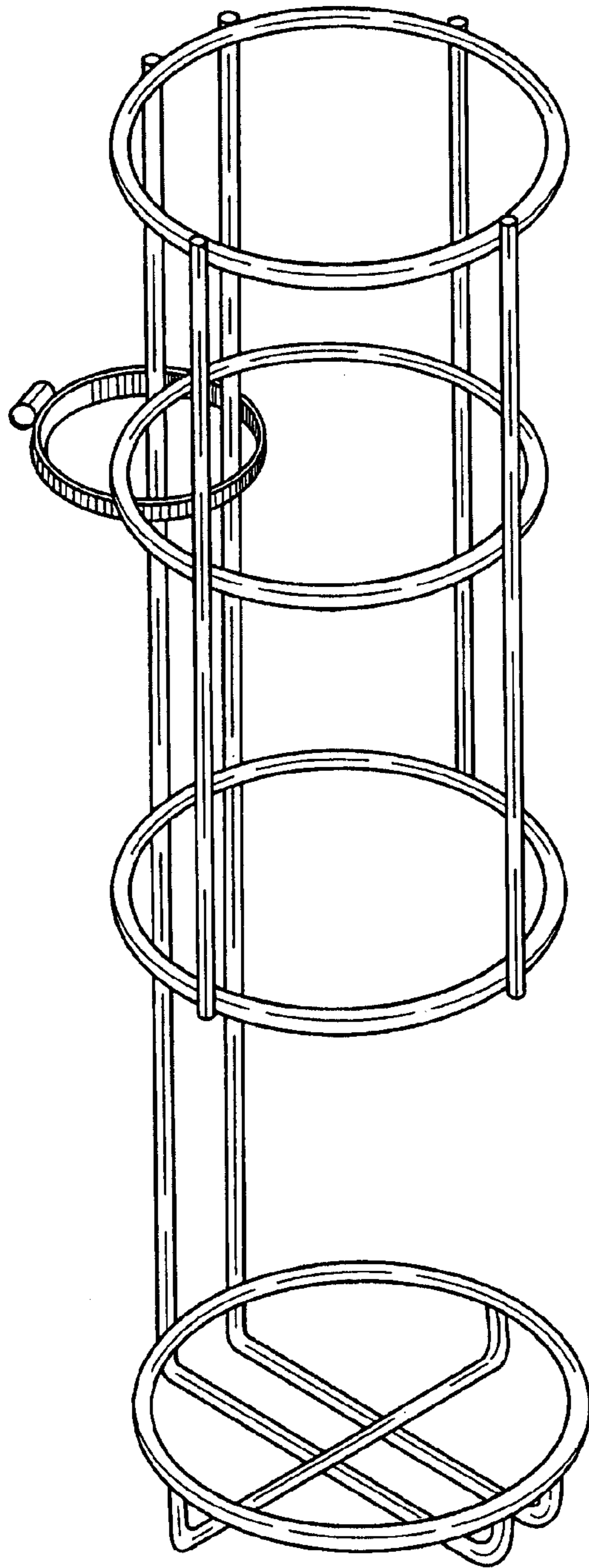


FIG. 1

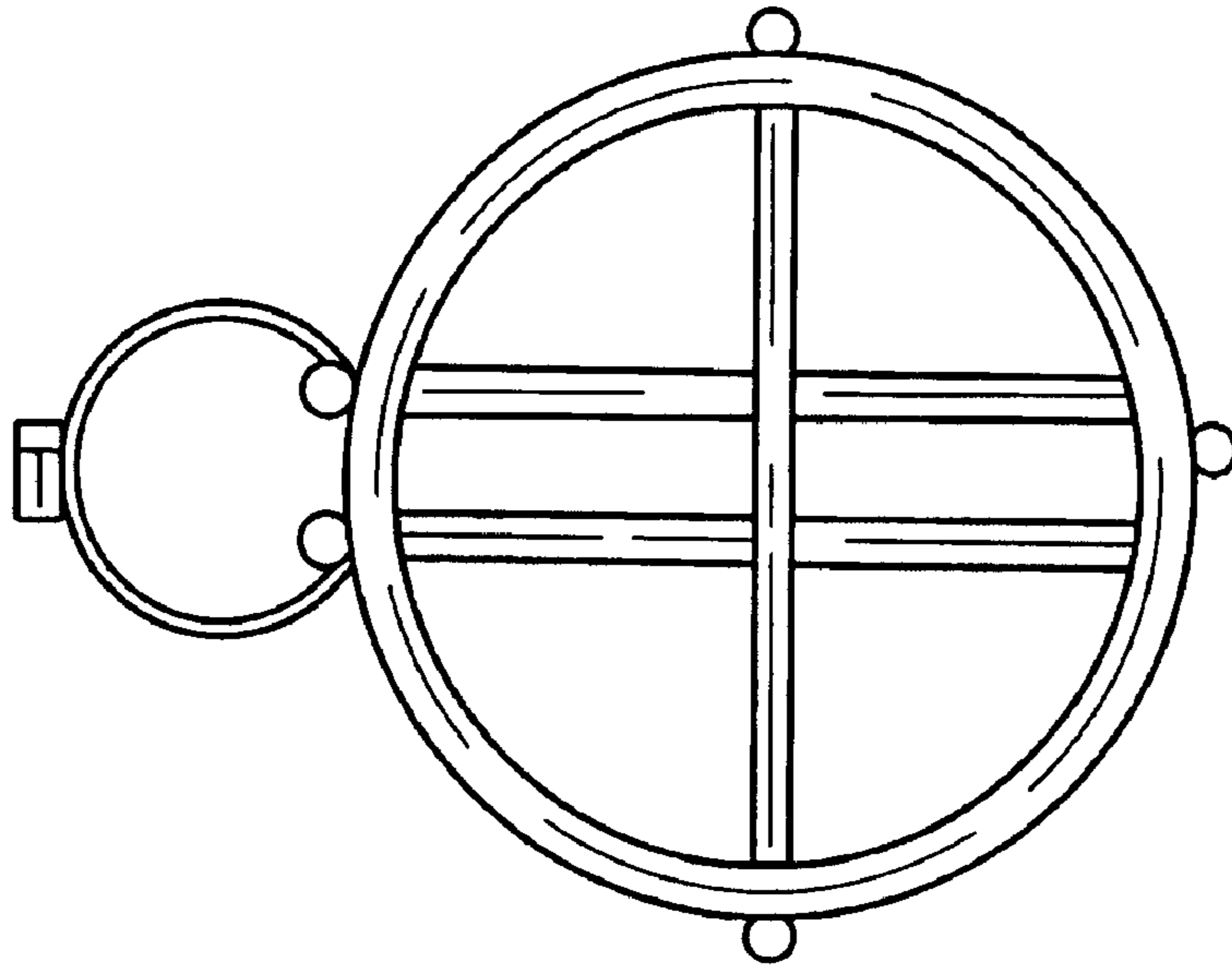


FIG. 2

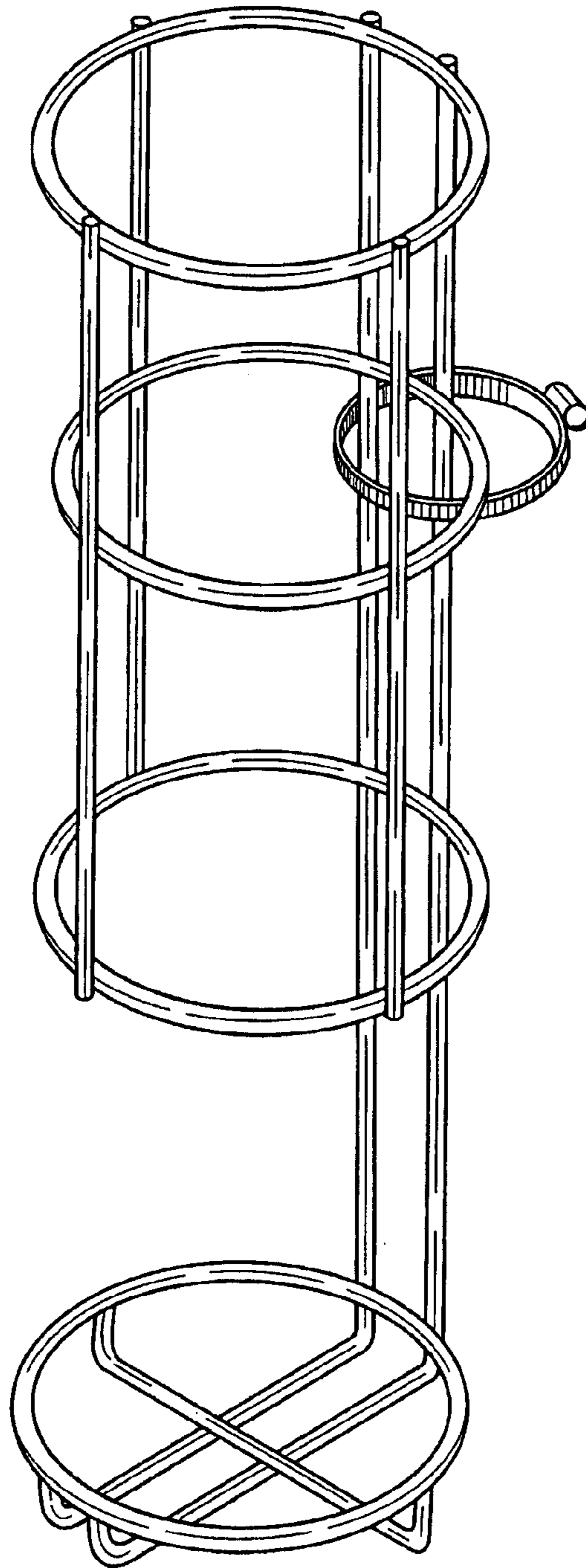


FIG. 3