



US00D557539S

(12) **United States Design Patent**  
**Pascarella**

(10) **Patent No.:** **US D557,539 S**

(45) **Date of Patent:** **\*\* Dec. 18, 2007**

(54) **DIAPER DISPENSER**

D523,671 S \* 6/2006 Edwards ..... D6/518  
D533,739 S \* 12/2006 Miesieski et al. .... D6/515

(76) Inventor: **Domenick Pascarella**, 24 Cranberry  
La., Plainview, NY (US) 11803

\* cited by examiner

*Primary Examiner*—Brian N Vinson

(\*\*) Term: **14 Years**

(21) Appl. No.: **29/265,859**

(57) **CLAIM**

(22) Filed: **Sep. 8, 2006**

I claim, the ornamental design for the diaper dispenser, as shown and described.

(51) **LOC (8) Cl.** ..... **20-02**

(52) **U.S. Cl.** ..... **D6/518**

(58) **Field of Classification Search** ..... D6/515-523;  
D9/516, 549, 423; D3/294, 318; 206/389,  
206/494; 221/33, 45, 63, 282-283

See application file for complete search history.

**DESCRIPTION**

FIG. 1 is a front elevational view of the diaper dispenser showing my new design;

FIG. 2 is a rear elevational view of the diaper dispenser thereof;

FIG. 3 is a left-side elevational view of the diaper dispenser thereof;

FIG. 4 is a top plan view of the diaper dispenser thereof; and,

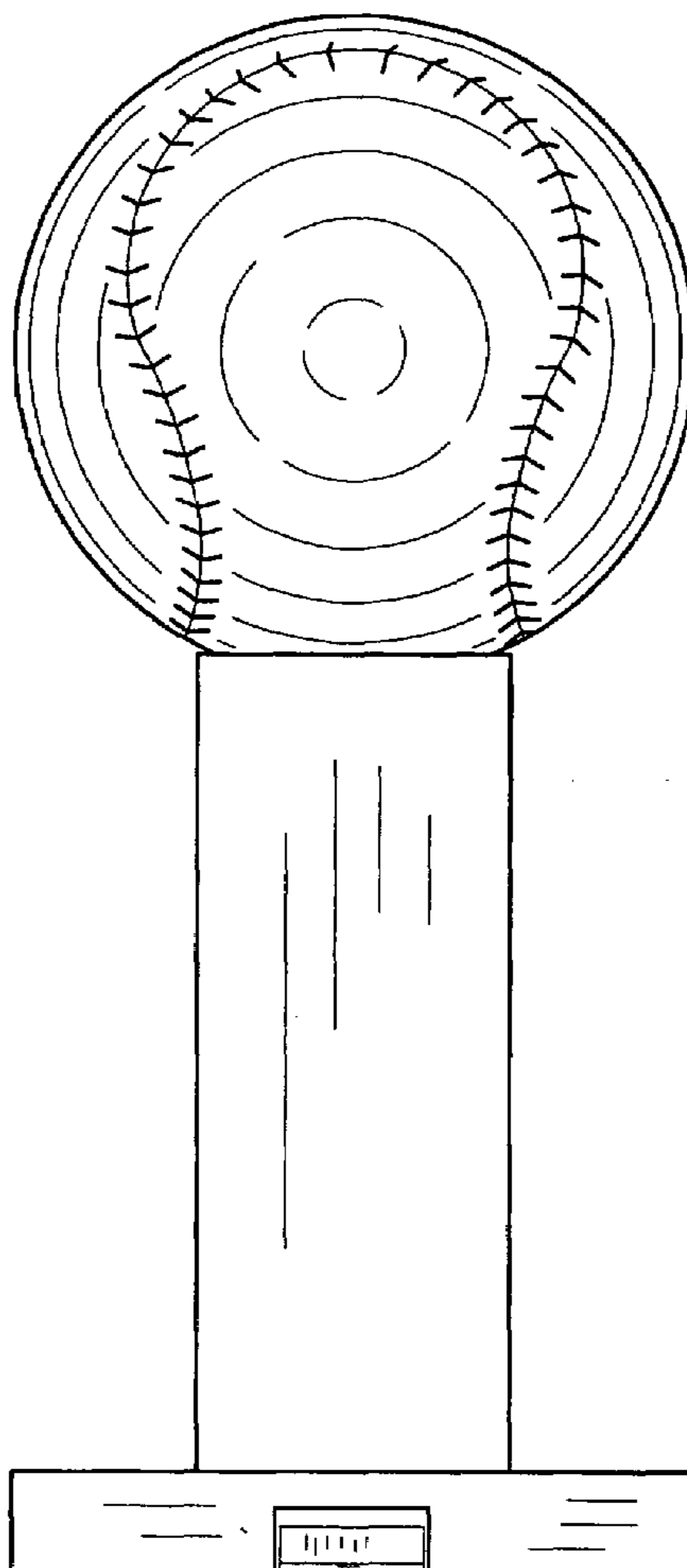
FIG. 5 is a bottom plan view of the diaper dispenser thereof.

(56) **References Cited**

U.S. PATENT DOCUMENTS

D403,188 S \* 12/1998 Kancso ..... D6/515  
D437,155 S \* 2/2001 Steele et al. .... D6/518  
D443,818 S \* 6/2001 Jones ..... D6/515

**1 Claim, 4 Drawing Sheets**



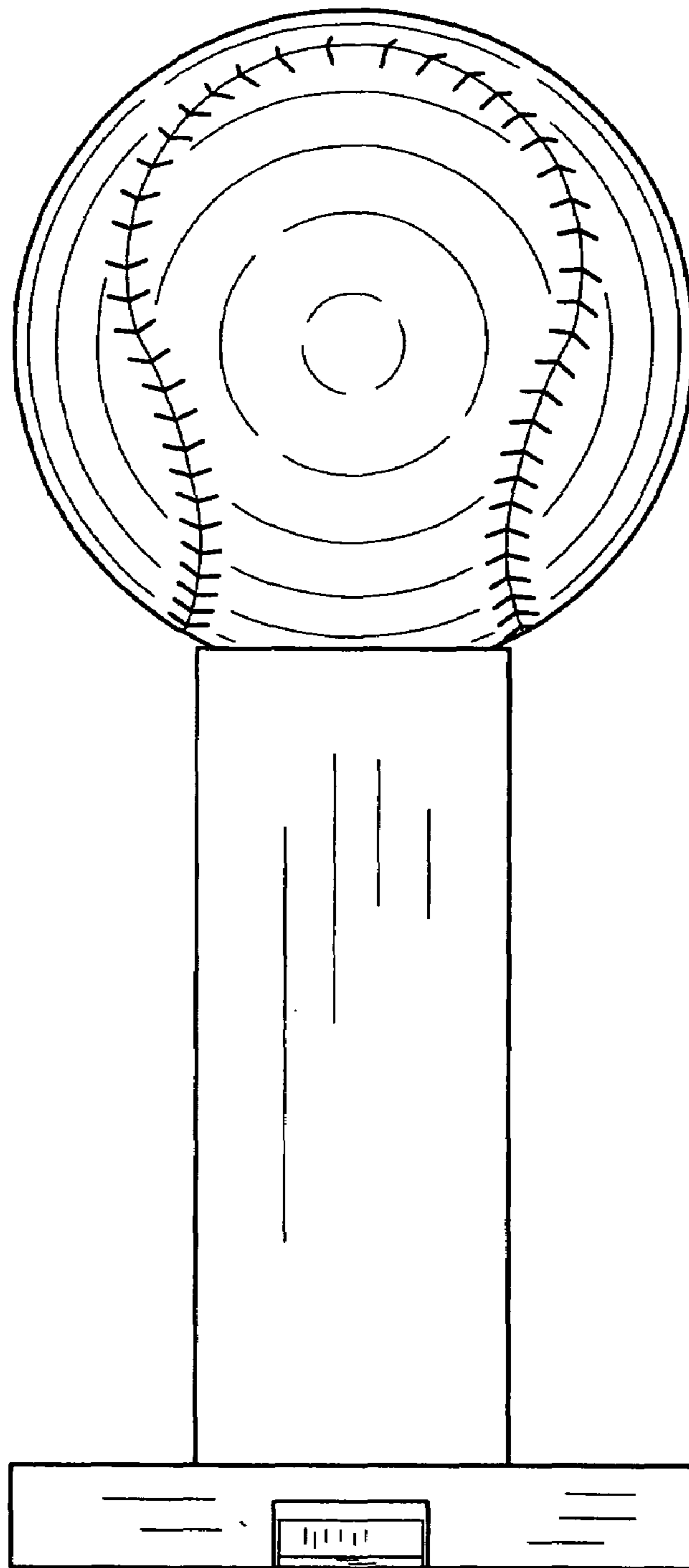


FIG. 1

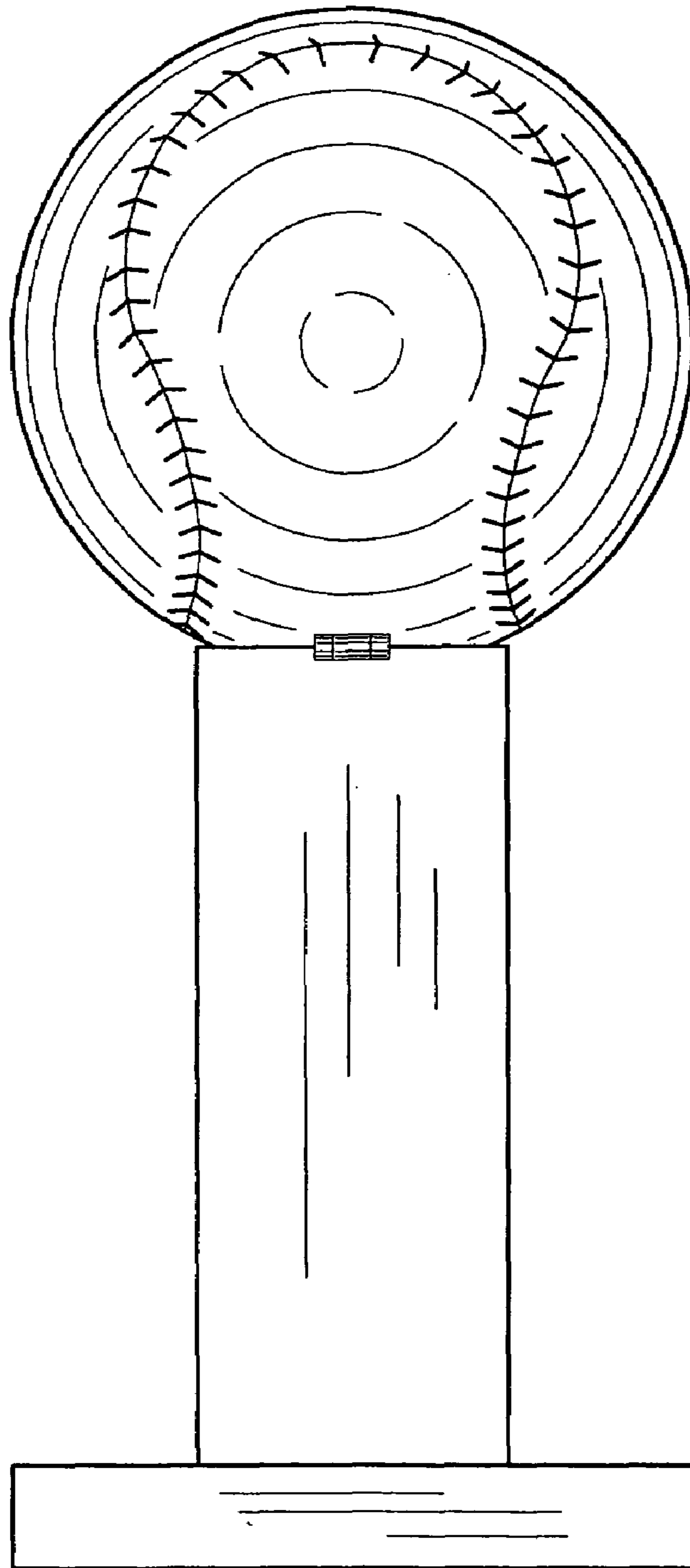


FIG. 2

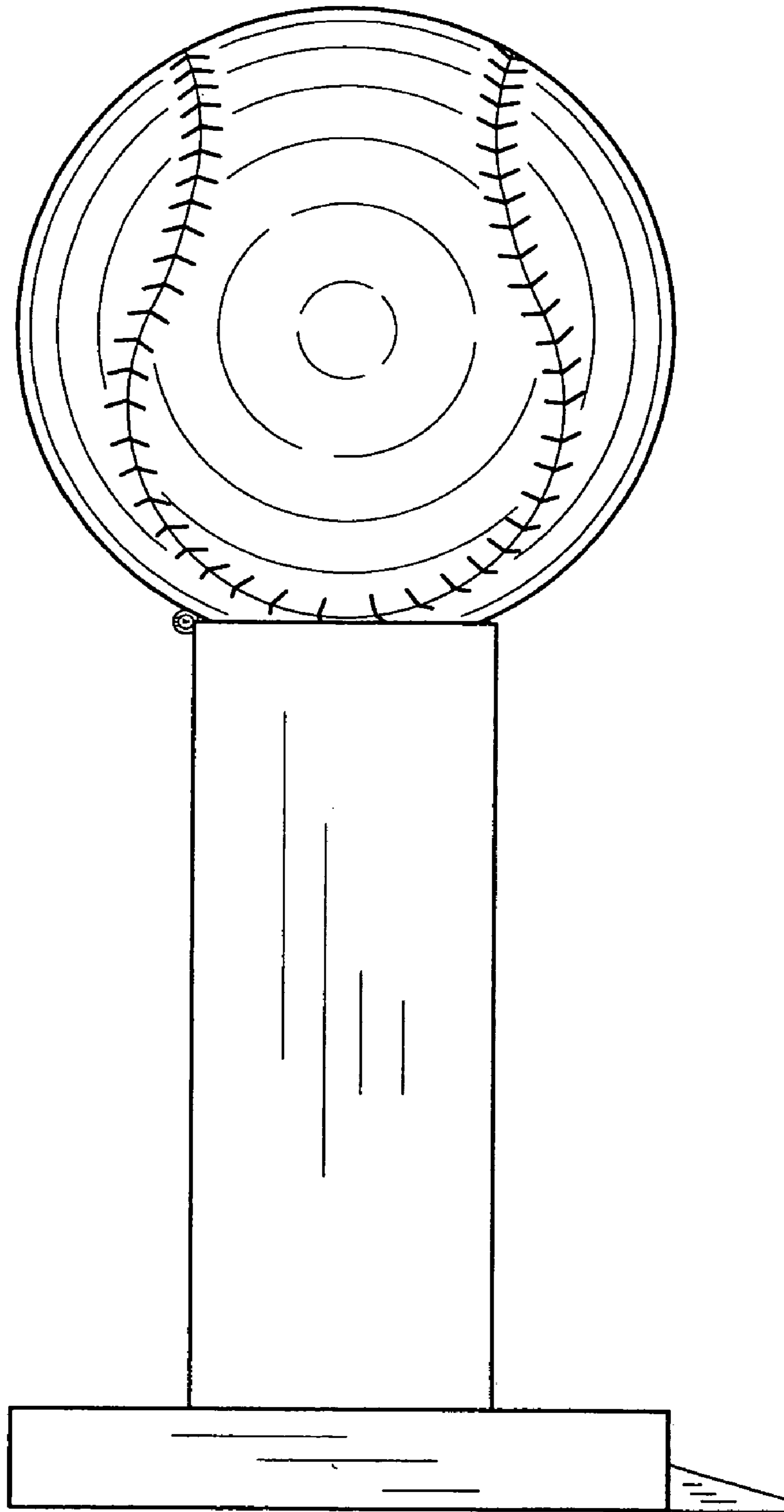


FIG. 3

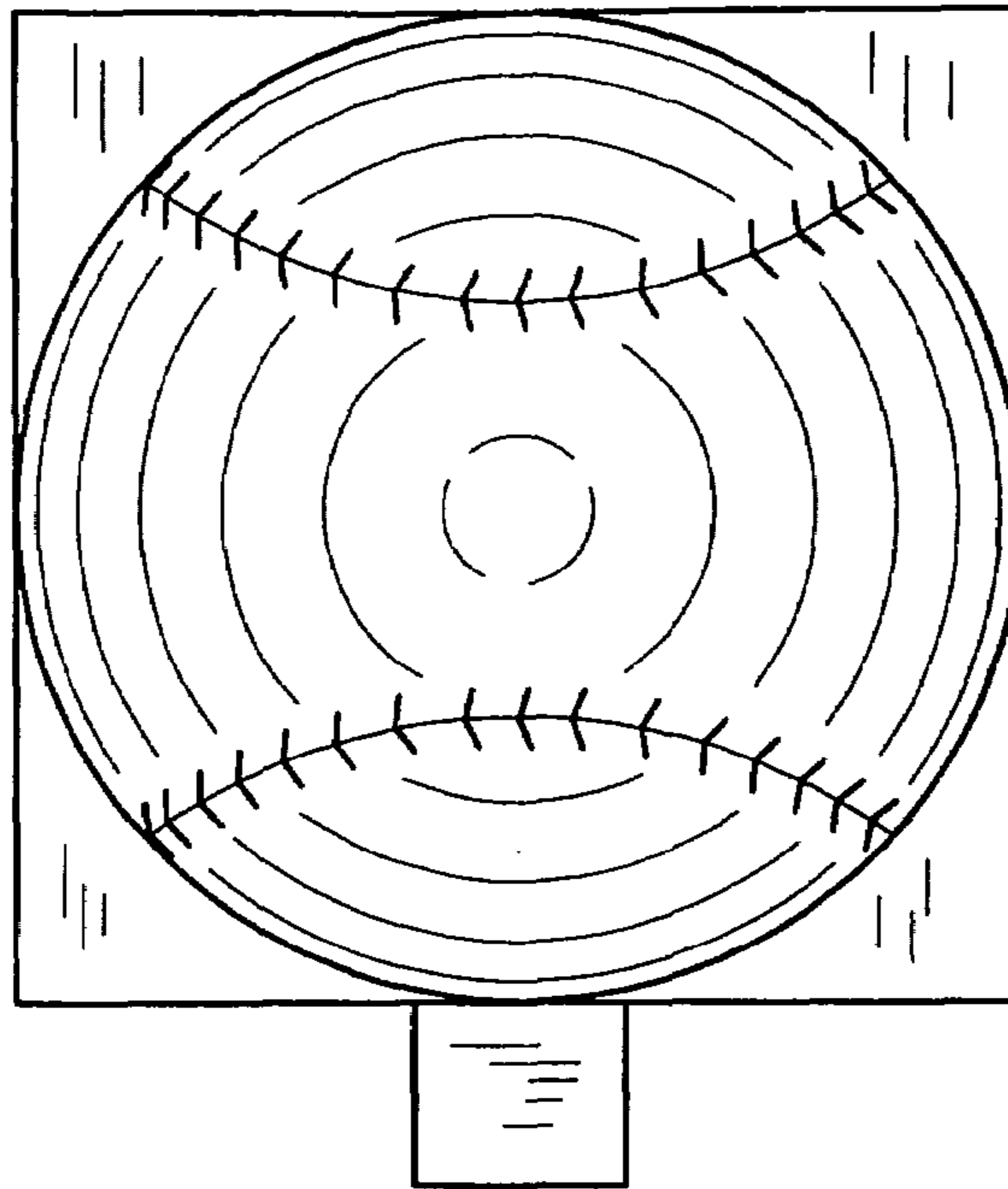


FIG. 4

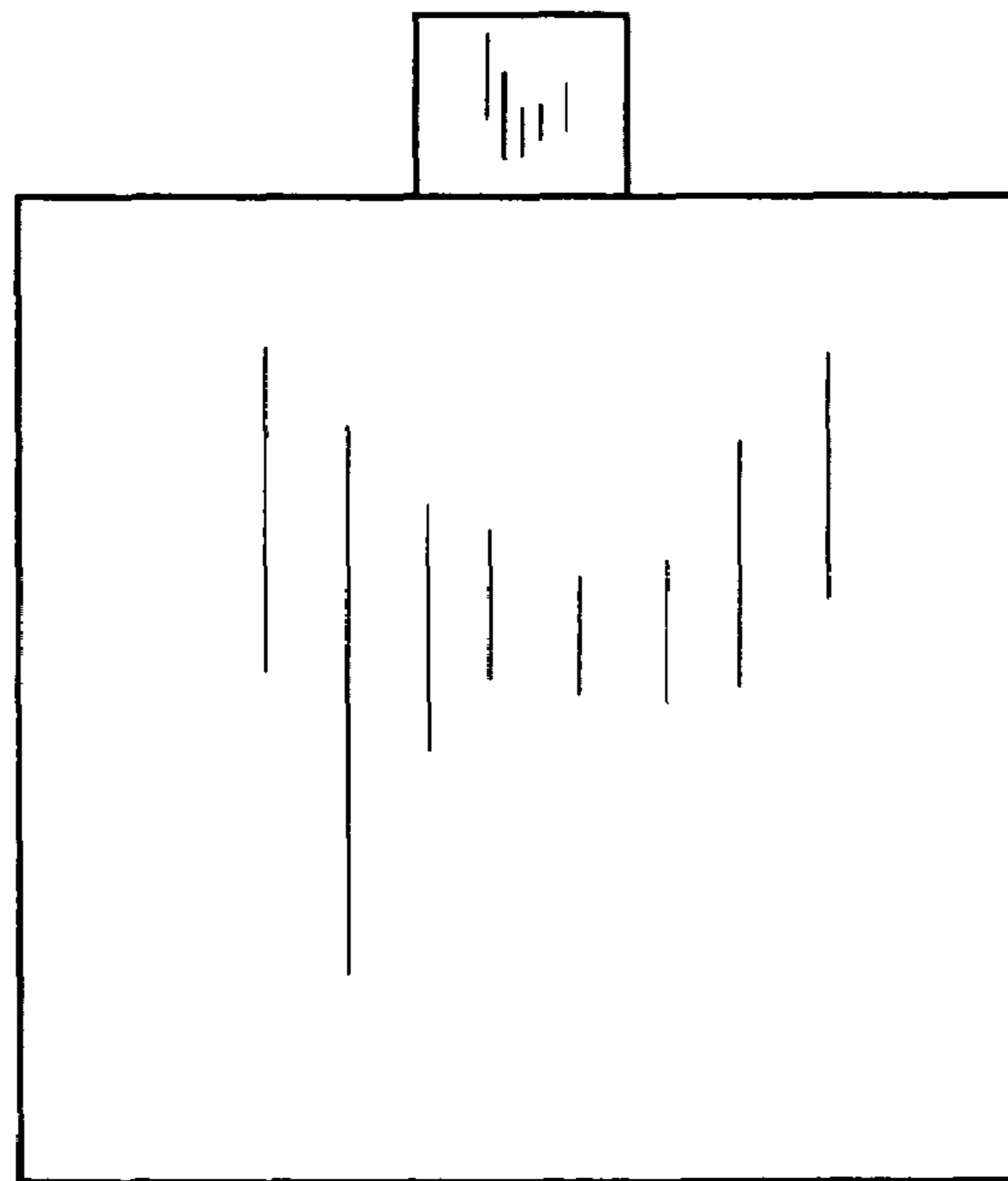


FIG. 5