



US00D557537S

(12) **United States Design Patent**
Livingston, Sr. et al.

(10) **Patent No.: US D557,537 S**

(45) **Date of Patent: ** Dec. 18, 2007**

(54) **SPACE SAVING SHELF LINK**

D419,814 S * 2/2000 Hecht et al. D6/574
6,327,830 B1 * 12/2001 Hecht et al. 52/702

(75) Inventors: **Howard Finley Livingston, Sr.**,
Lancaster, PA (US); **Howard Finley**
Livingston, Jr., Lititz, PA (US)

FOREIGN PATENT DOCUMENTS

CA 2296573 6/2001

(73) Assignee: **Finley Products Inc.**, Lancaster, PA
(US)

* cited by examiner

Primary Examiner—Brian N Vinson

(**) Term: **14 Years**

(74) *Attorney, Agent, or Firm*—Barley Snyder LLC

(21) Appl. No.: **29/248,506**

(57) **CLAIM**

(22) Filed: **Aug. 18, 2006**

The ornamental design for a space saving shelf link, as shown and described.

(51) **LOC (8) Cl.** **06-06**

(52) **U.S. Cl.** **D6/511**

(58) **Field of Classification Search** D6/510–511,
D6/553, 574, 380–382; 248/325, 243, 250,
248/247; 52/702, 704, 737.2, 737.3
See application file for complete search history.

DESCRIPTION

FIG. 1 is a bottom elevation view of a space saving shelf link, showing our new design;

FIG. 2 is a top view thereof;

FIG. 3 is a left side elevation view thereof;

FIG. 4 is a right side elevation view thereof;

FIG. 5 is a front elevation view thereof;

FIG. 6, is a back elevation view thereof;

FIG. 7 is a perspective view from the bottom, front and right side thereof;

FIG. 8 is a perspective view from the bottom, back and right side thereof; and,

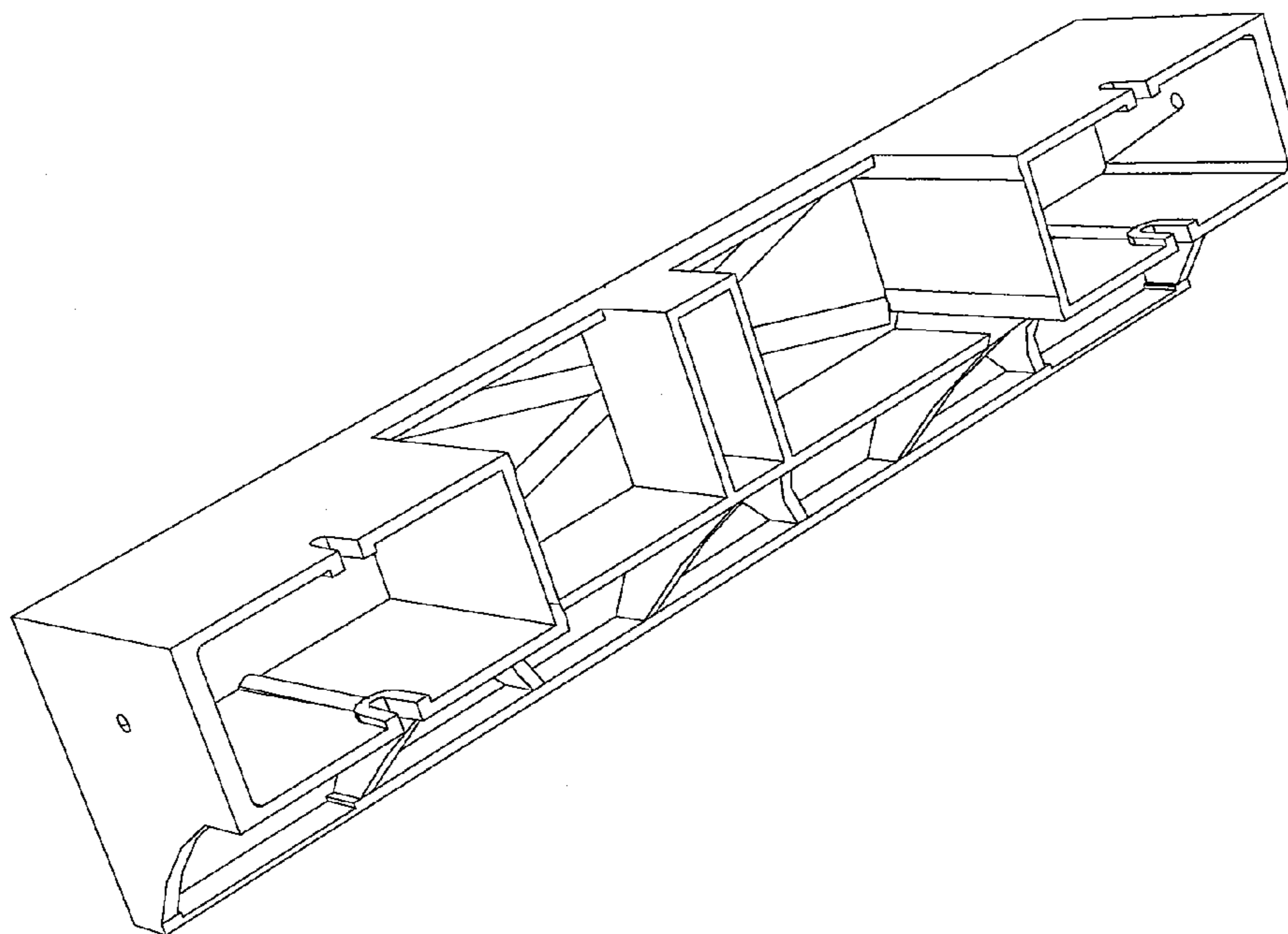
FIG. 9 is a perspective view from the top, back and left side thereof.

(56) **References Cited**

U.S. PATENT DOCUMENTS

2,406,078	A	8/1946	Hushower	
2,817,423	A	12/1957	Dye et al.	
2,931,129	A *	4/1960	Boniface	446/126
D222,078	S	9/1971	Bobrowski	
4,355,725	A	10/1982	Humphrey	
4,474,299	A	10/1984	Andrews	
4,758,111	A	7/1988	Vitta	
D299,687	S	2/1989	Handler et al.	
5,560,588	A	10/1996	Hilliard	
D392,144	S	3/1998	Vogler	
D416,424	S	11/1999	Hecht et al.	

1 Claim, 9 Drawing Sheets



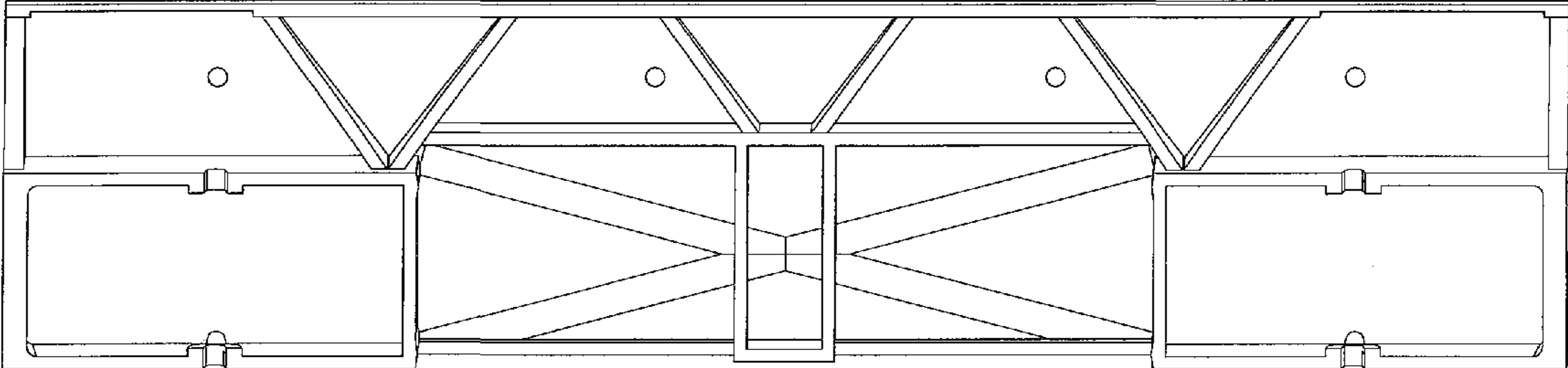


FIG. 1

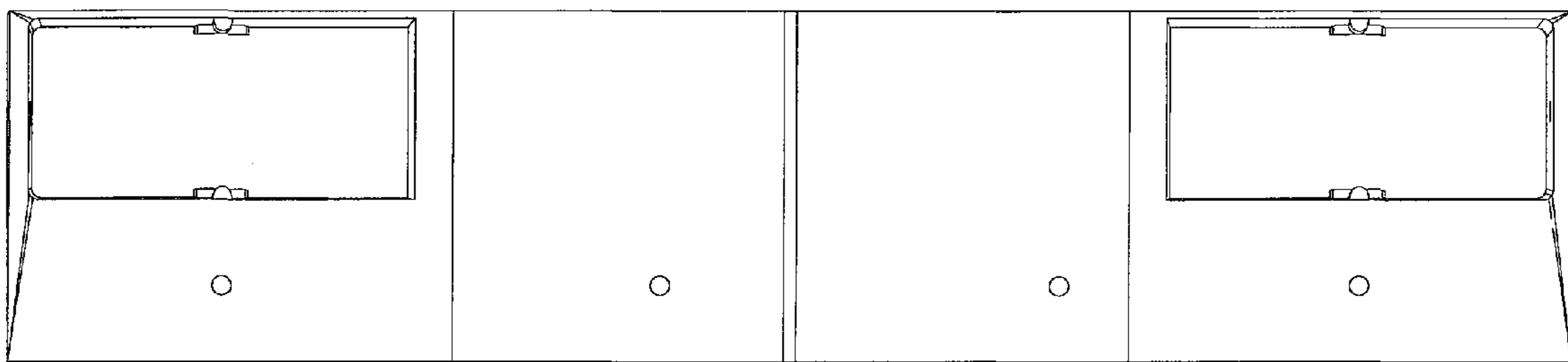


FIG. 2

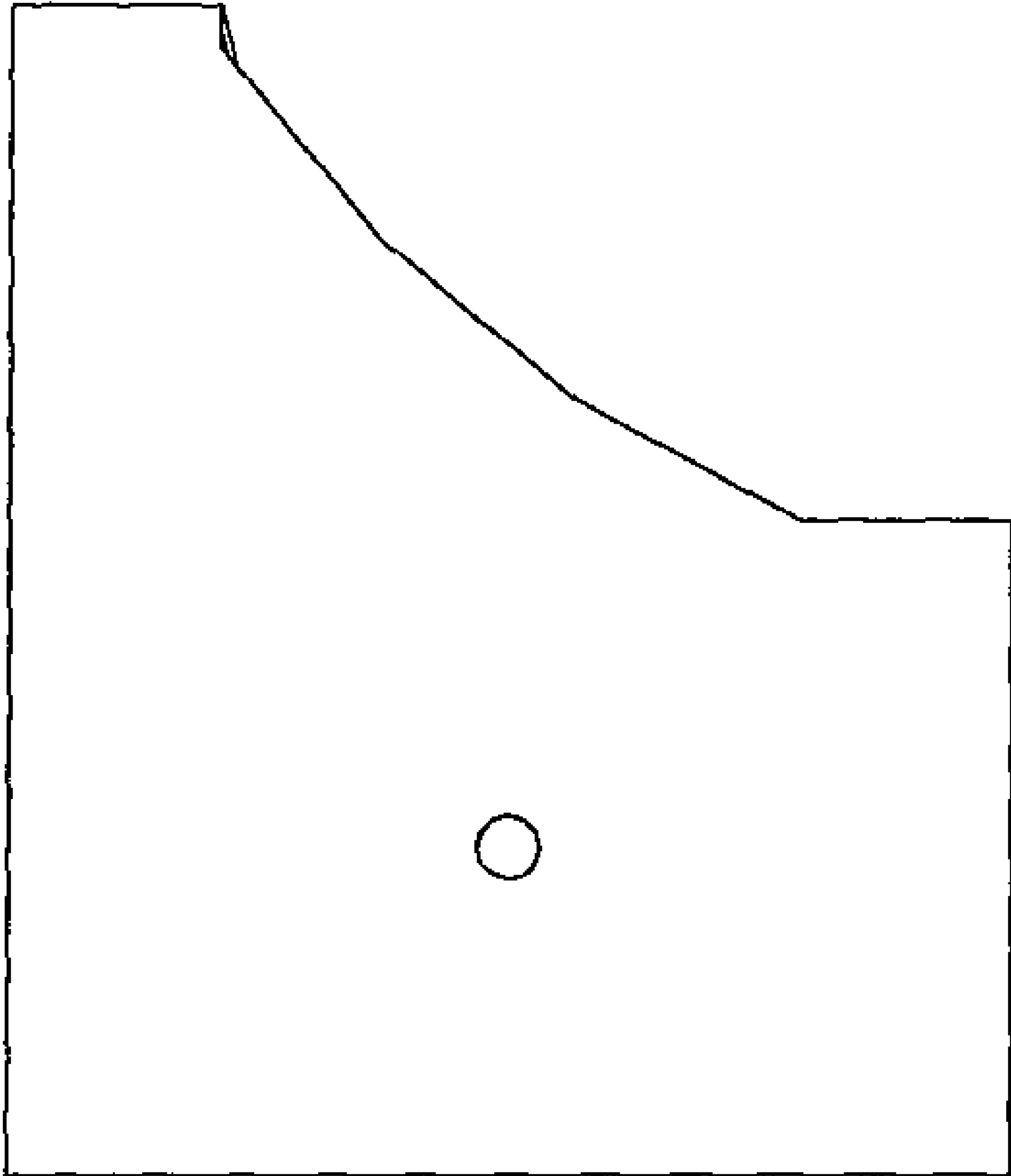


FIG. 3

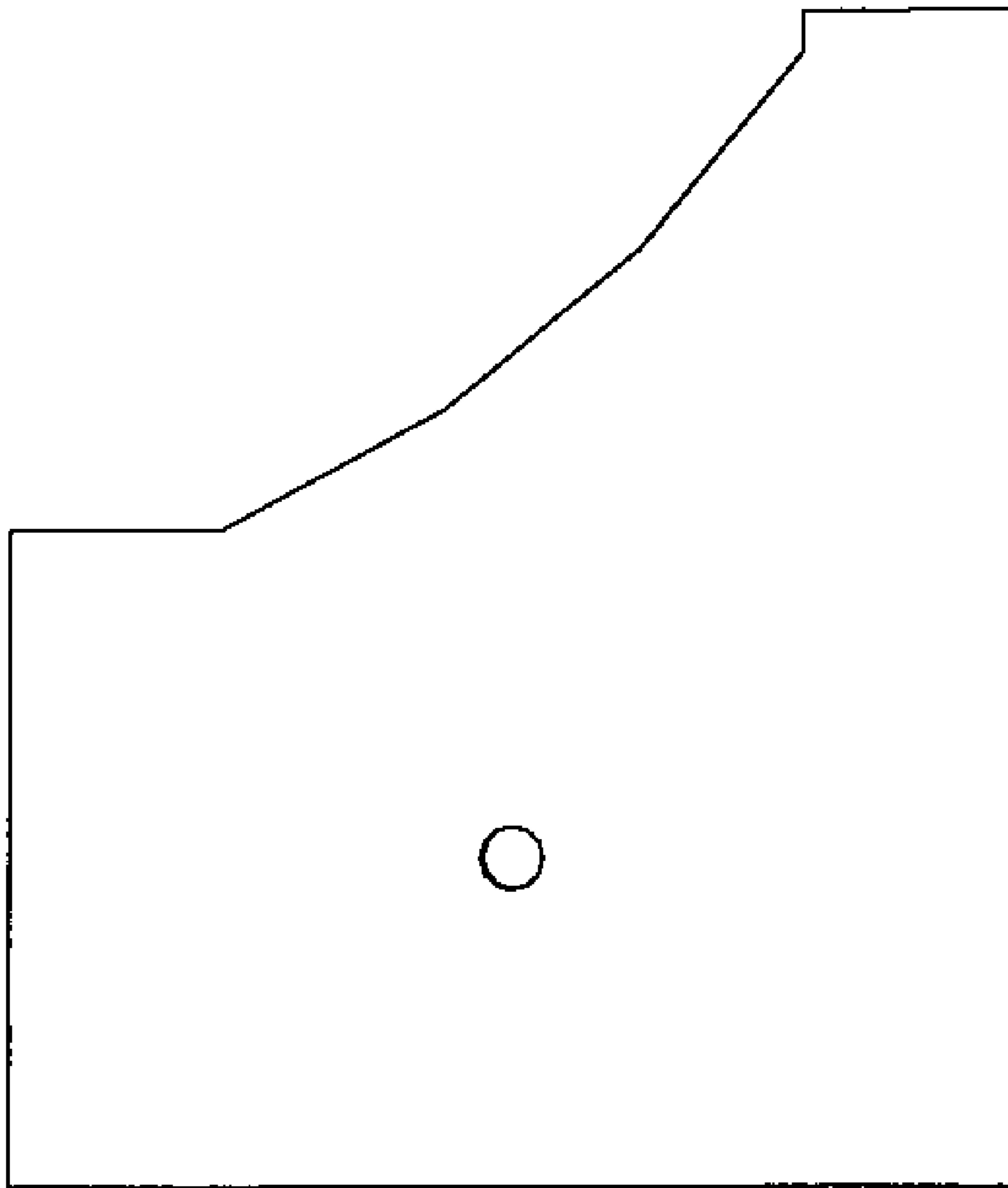


FIG. 4

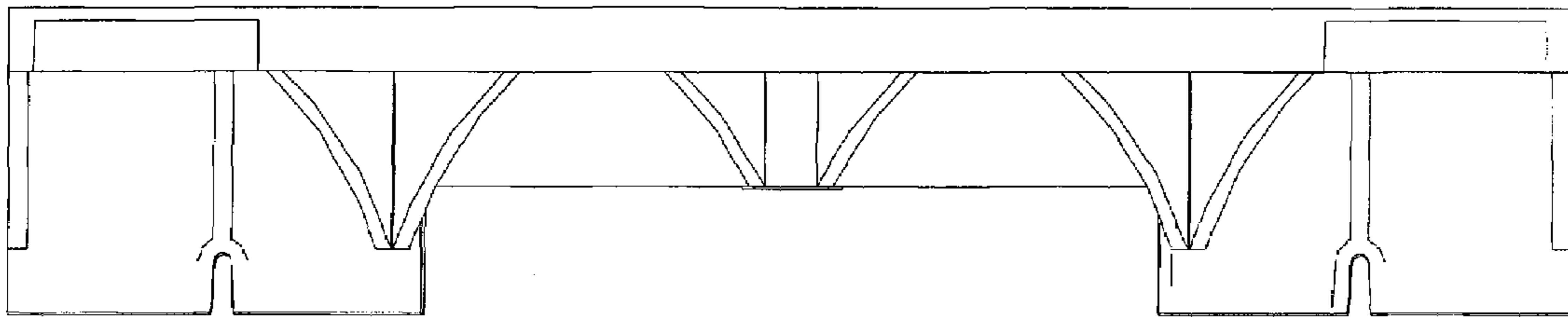


FIG. 5

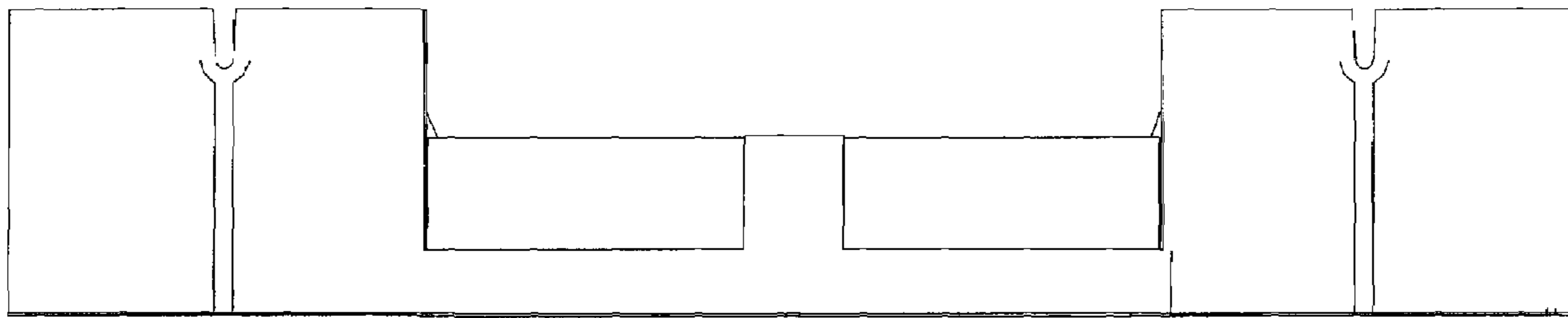


FIG. 6

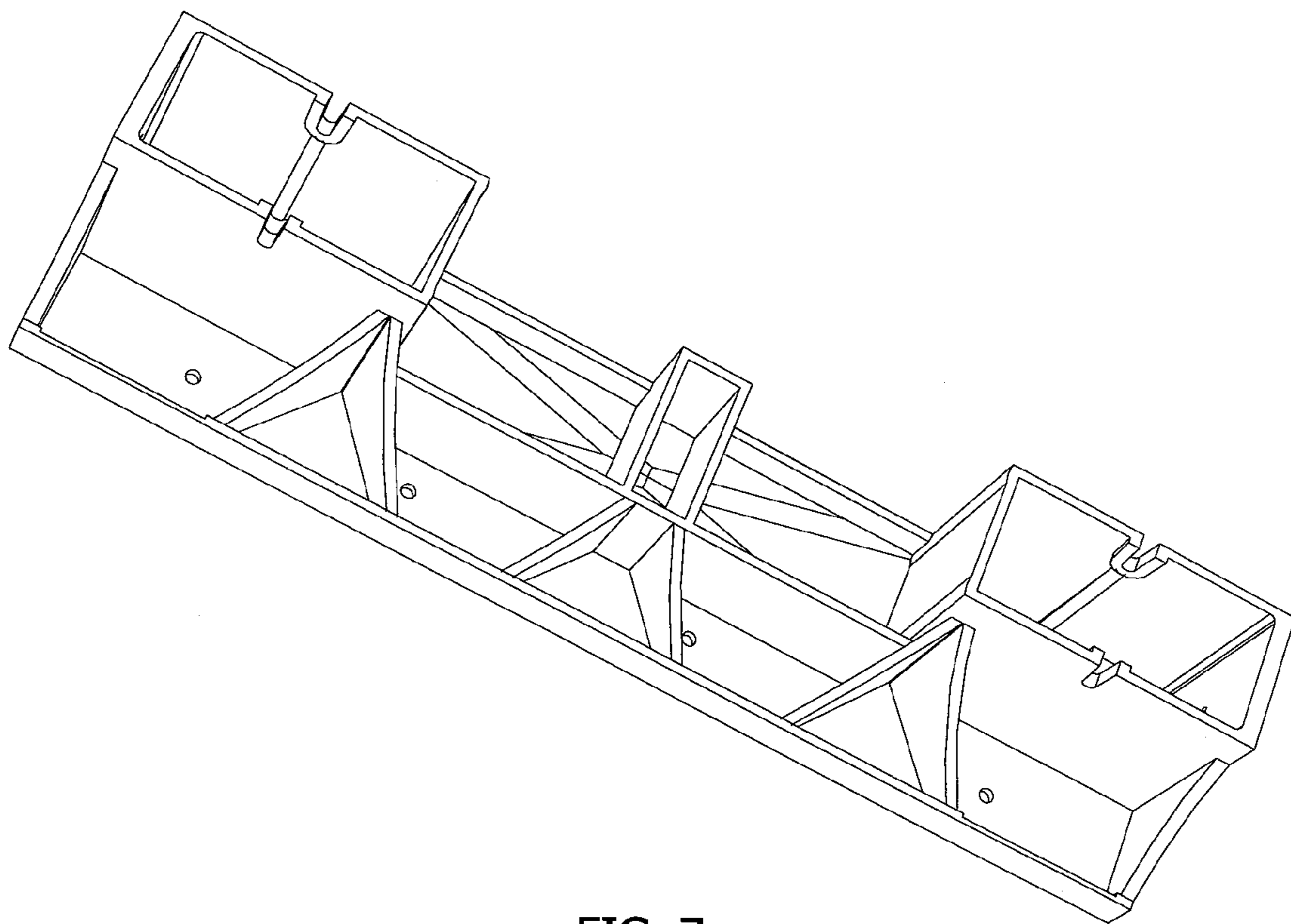


FIG. 7

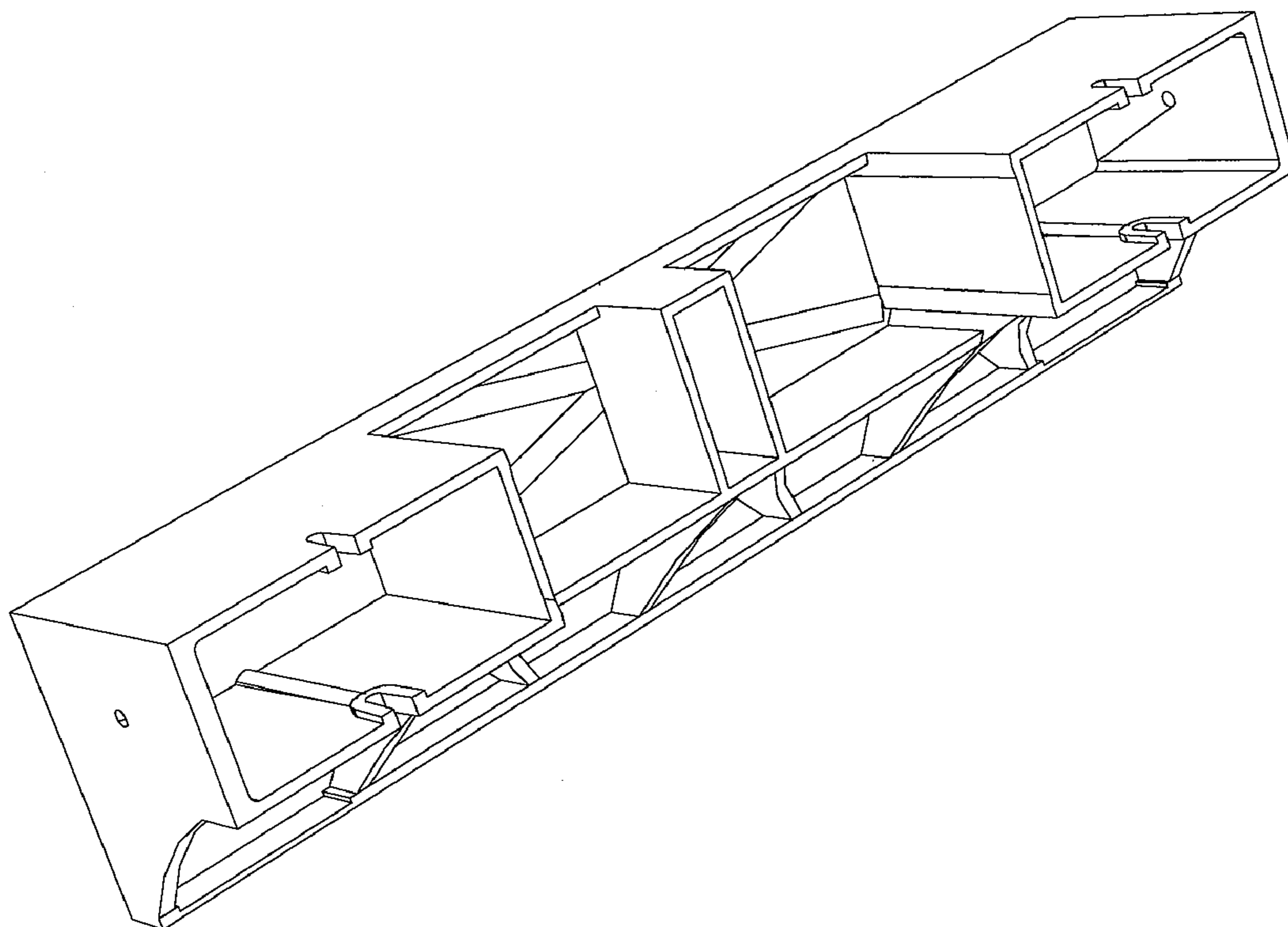


FIG. 8

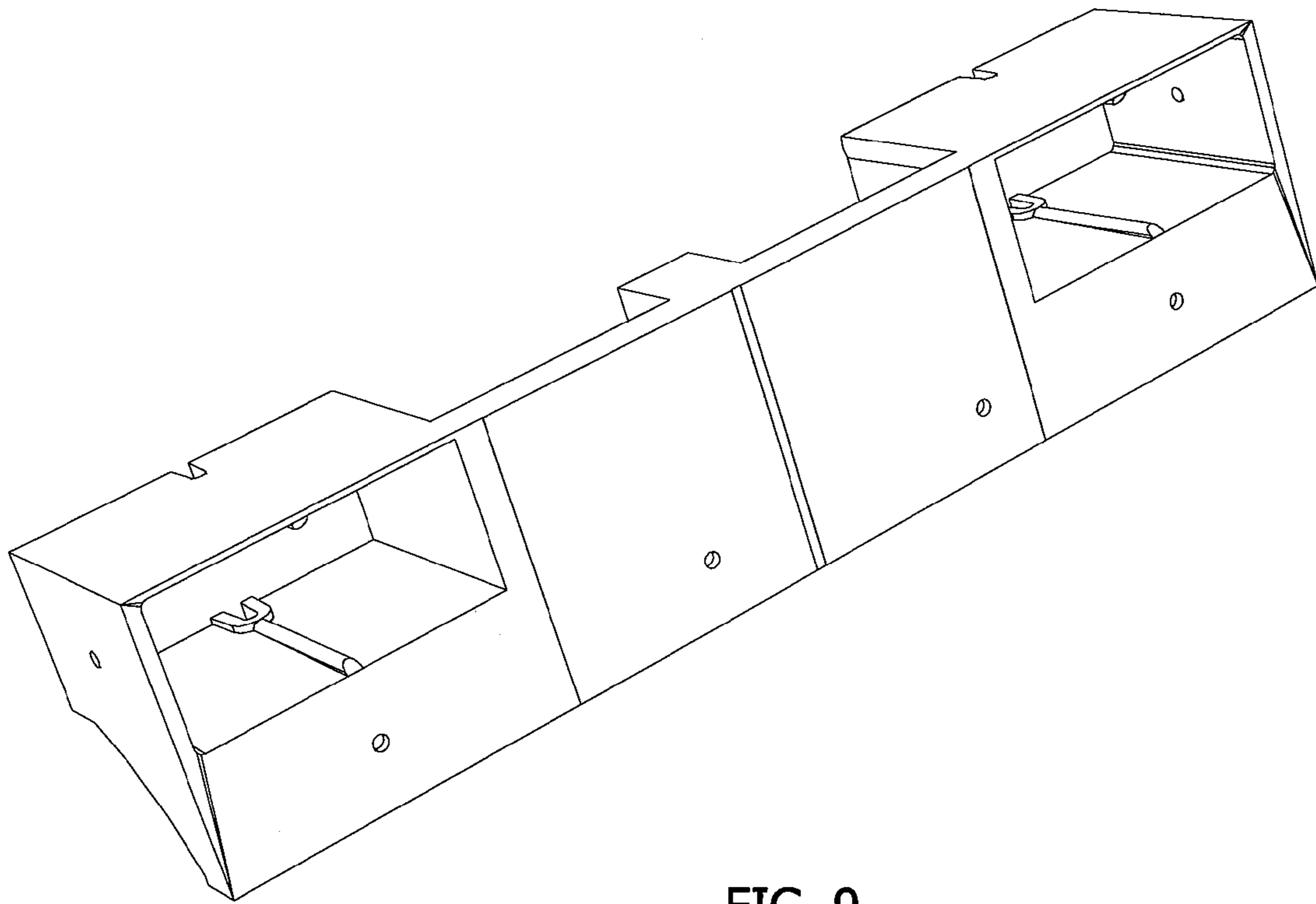


FIG. 9