



US00D557532S

(12) **United States Design Patent**
True et al.

(10) **Patent No.:** **US D557,532 S**

(45) **Date of Patent:** **** Dec. 18, 2007**

(54) **CHAIR ARM**

(75) Inventors: **Alan L. True**, San Juan Capistrano, CA (US); **Julien Egger**, Santa Monica, CA (US)

(73) Assignee: **True Seating Concepts, LLC** (MU)

(**) Term: **14 Years**

(21) Appl. No.: **29/273,951**

(22) Filed: **Mar. 19, 2007**

(51) **LOC (8) Cl.** **06-06**

(52) **U.S. Cl.** **D6/501; D6/366**

(58) **Field of Classification Search** D6/334-336, D6/364, 365, 366, 367, 379, 491, 492, 500-502; 297/411.2, 411.27, 411.28, 411.45, 463.1
See application file for complete search history.

(56) **References Cited**

U.S. PATENT DOCUMENTS

D274,482 S *	7/1984	Caldwell	D6/366
D414,630 S *	10/1999	Buscio et al.	D6/500
D414,965 S *	10/1999	Zaidman	D6/500
D531,421 S *	11/2006	Egger	D6/365
D542,574 S *	5/2007	Johnson	D6/500
D543,716 S *	6/2007	Votteler et al.	D6/366

* cited by examiner

Primary Examiner—Mimosa De

(74) *Attorney, Agent, or Firm*—Morland C. Fischer

(57) **CLAIM**

The ornamental design for a chair arm, as shown and described.

DESCRIPTION

FIG. 1 is a perspective view showing the top, left side and front of a chair arm which forms our new design, the broken lines showing other parts of a chair being for illustrative purposes only and forming no part of our design;

FIG. 2 is an enlarged top plan view thereof;

FIG. 3 is an enlarged front elevational view thereof;

FIG. 4 is an enlarged left side elevational view thereof;

FIG. 5 is an enlarged right side elevational view thereof;

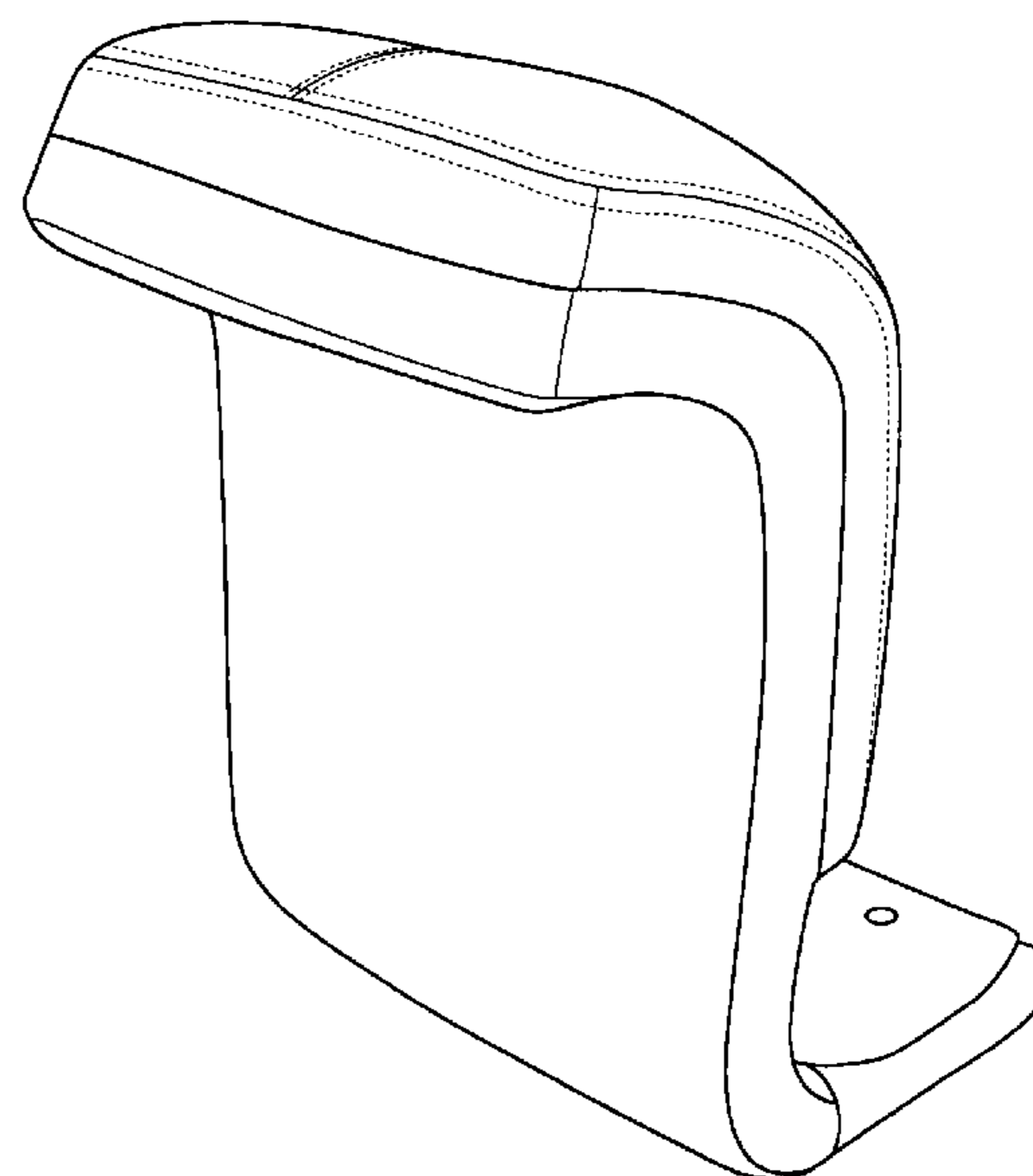
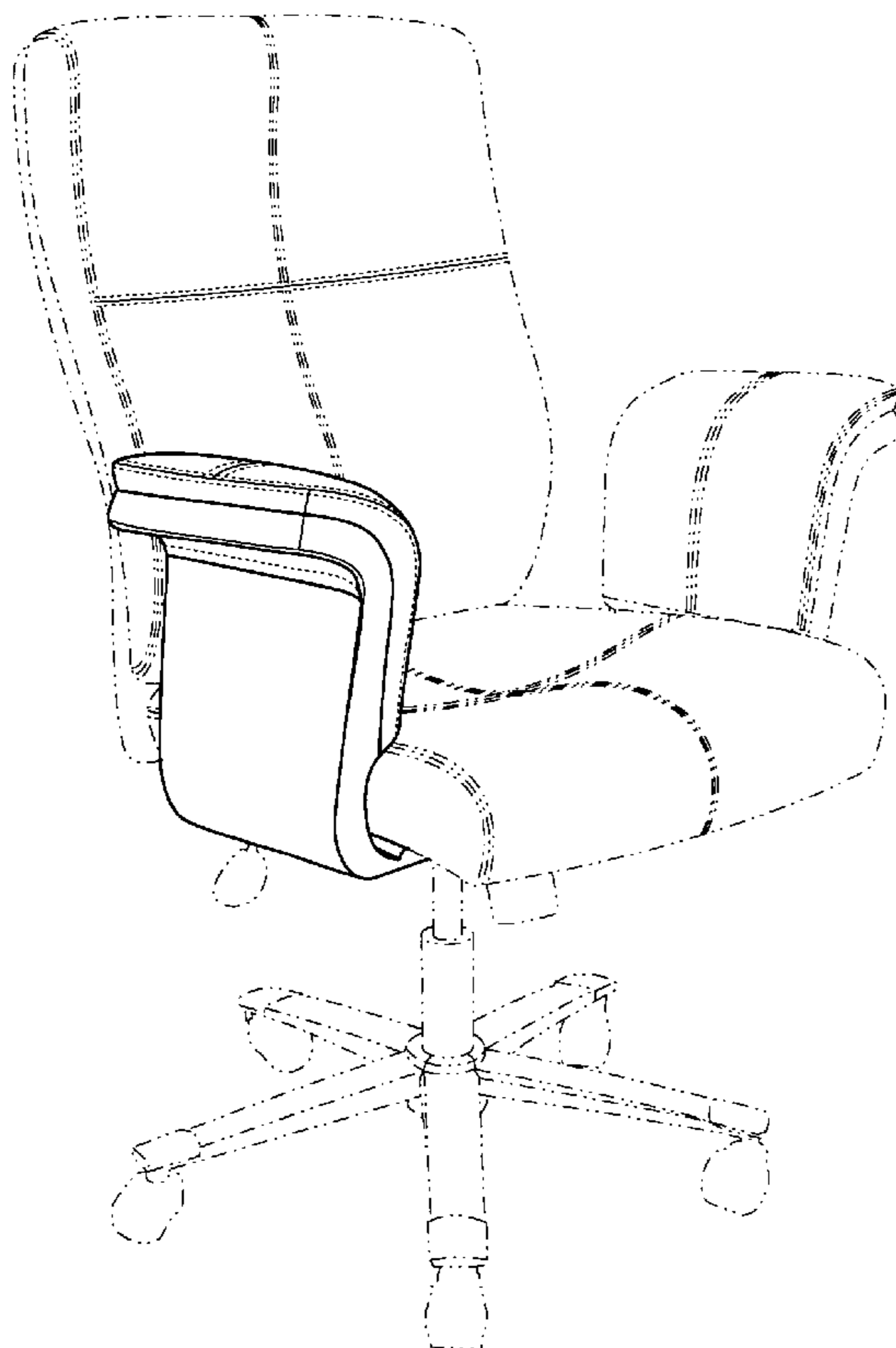
FIG. 6 is an enlarged rear elevational view thereof;

FIG. 7 is an enlarged bottom view thereof; and,

FIG. 8 is an enlarged perspective view showing the front, left side and top thereof.

The short, broken lines in FIGS. 1-6 and 8 are understood to represent stitching.

1 Claim, 8 Drawing Sheets



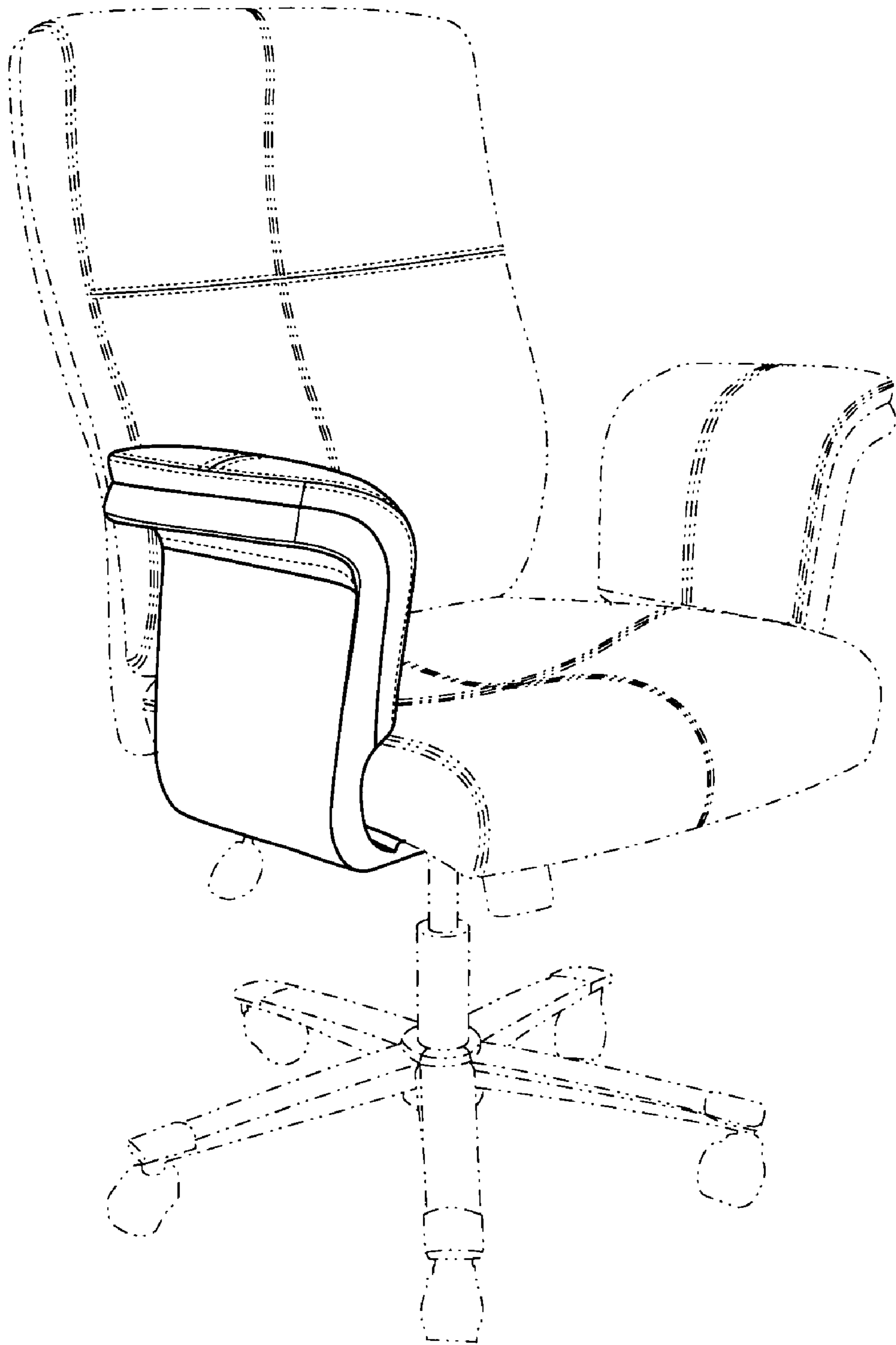


FIG. 1

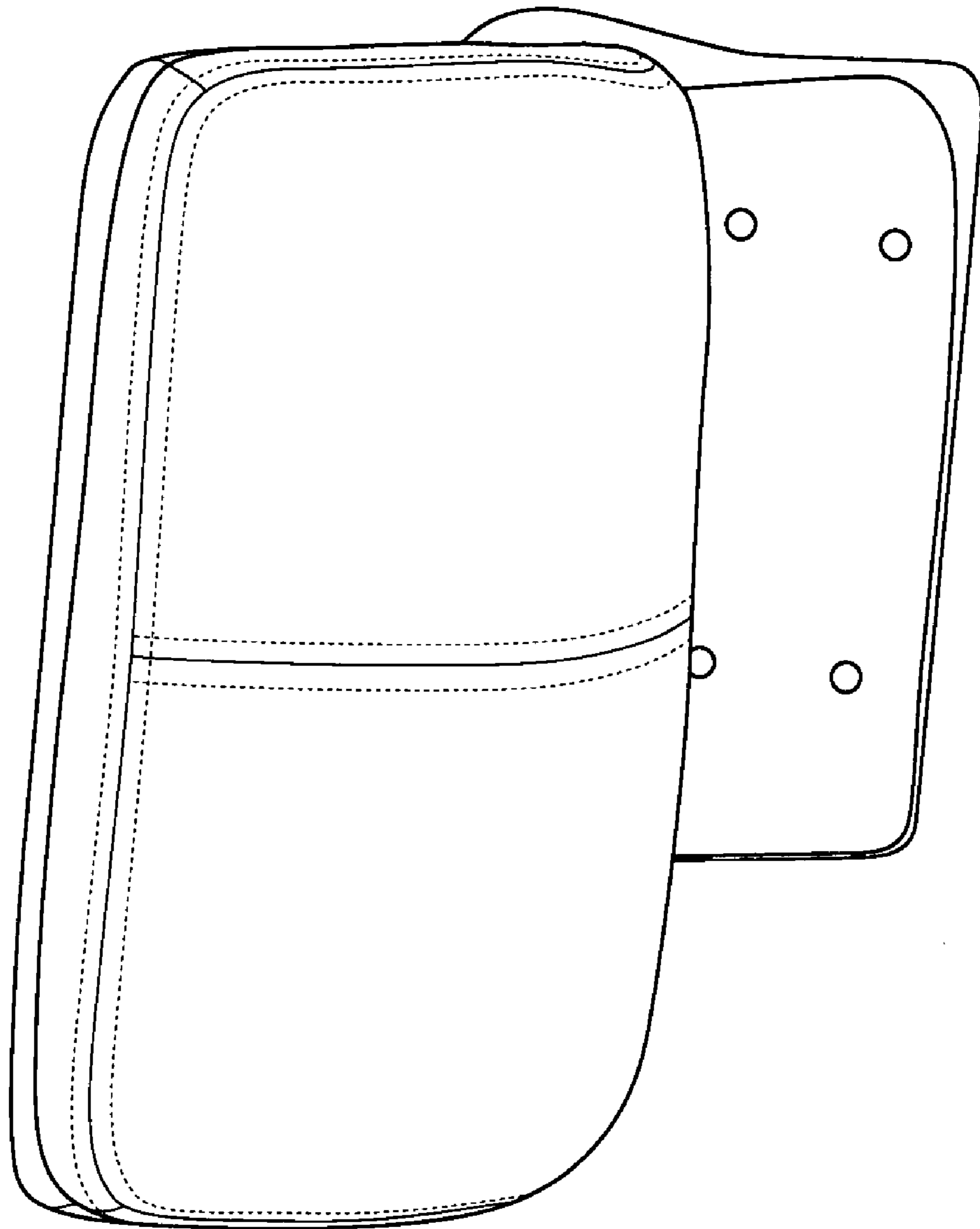


FIG. 2

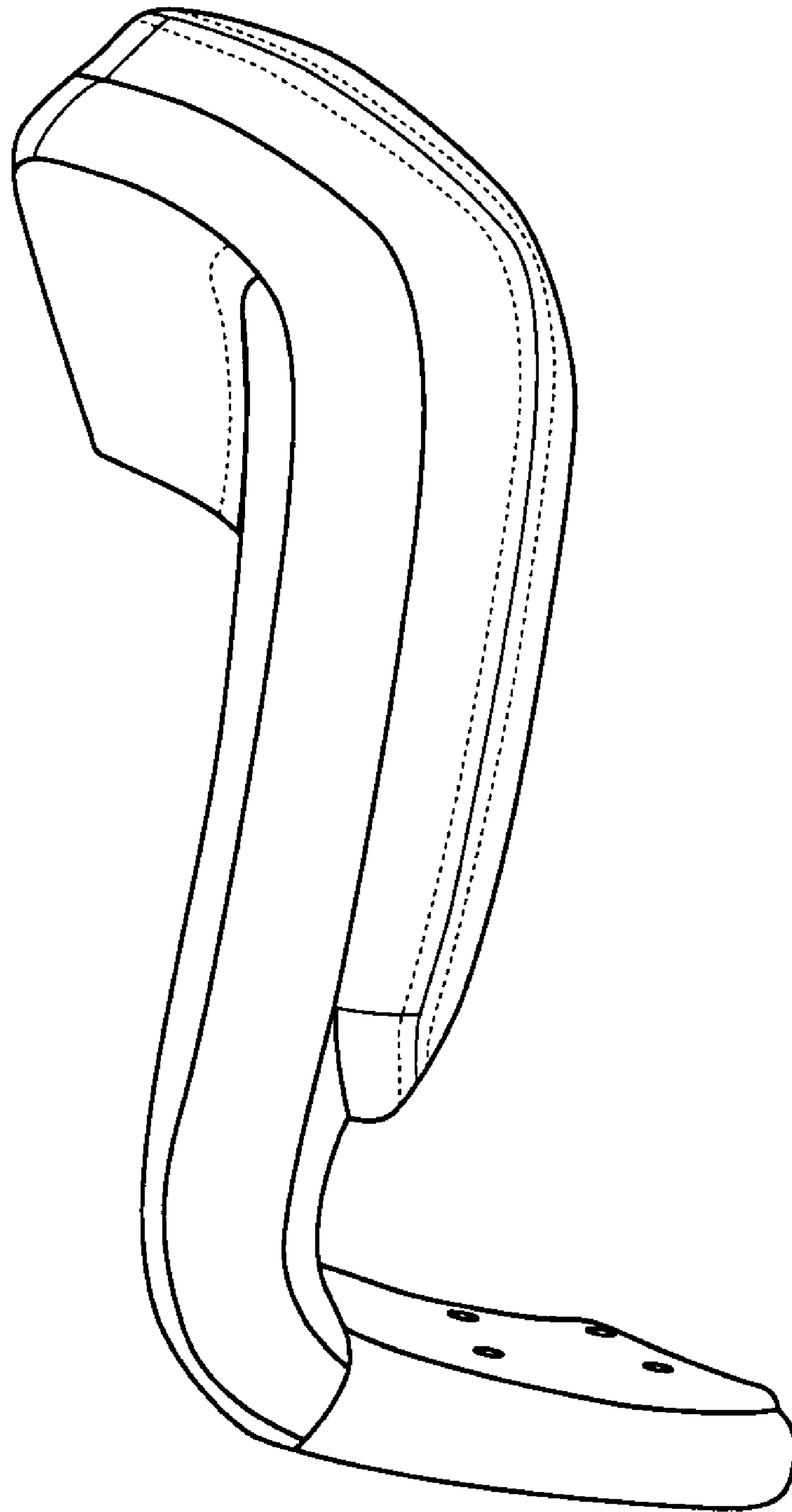


FIG. 3

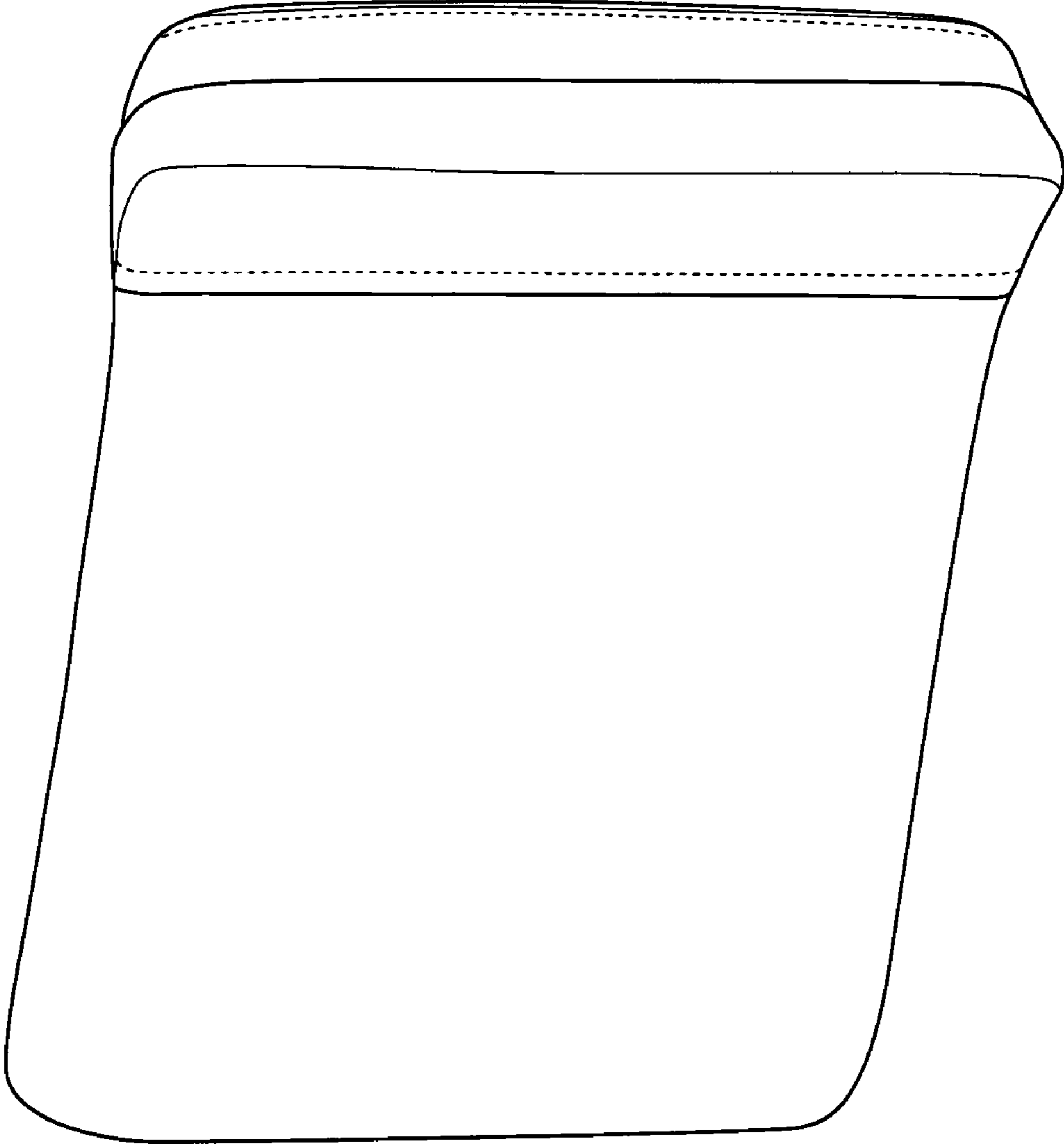


FIG. 4

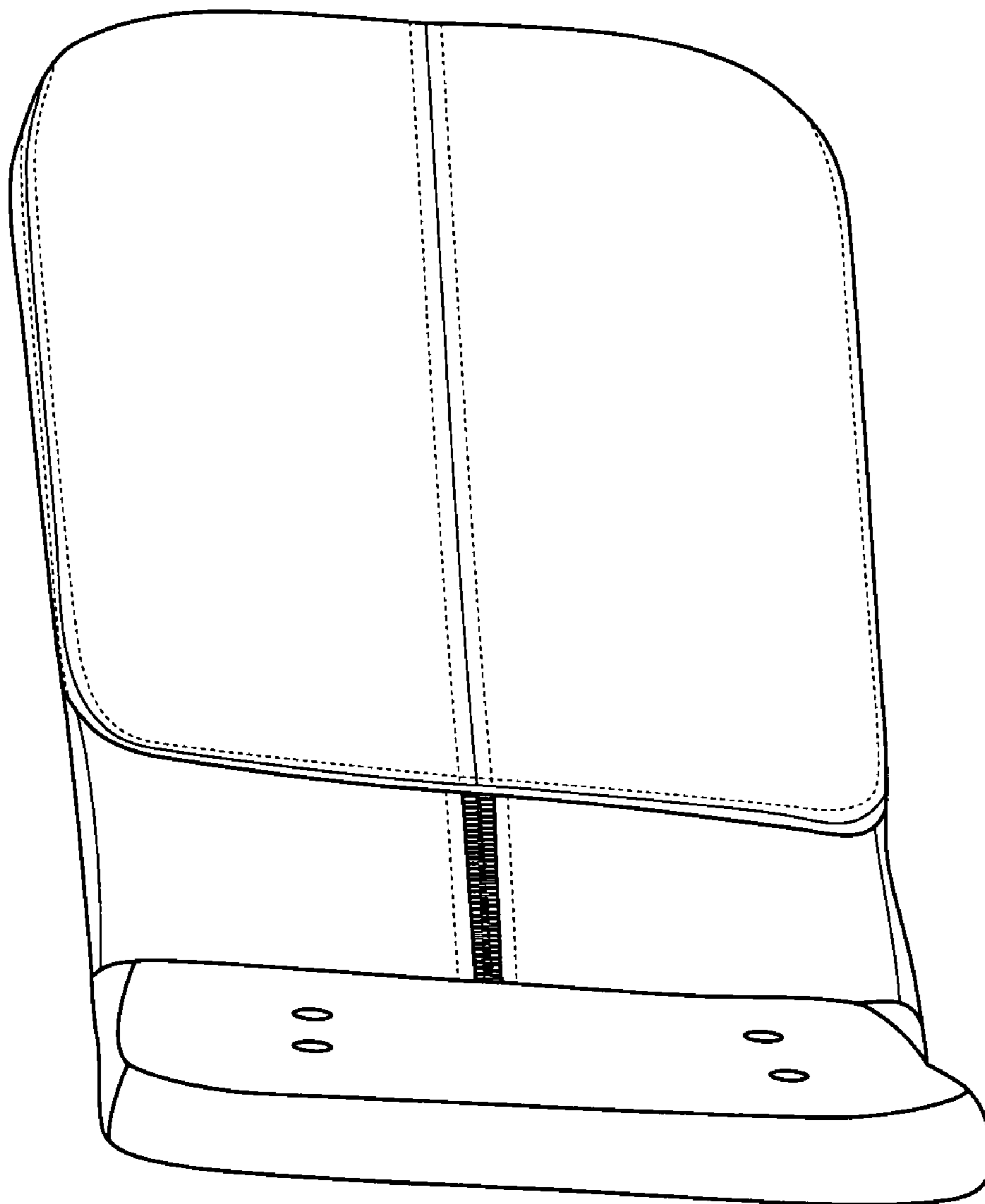


FIG. 5

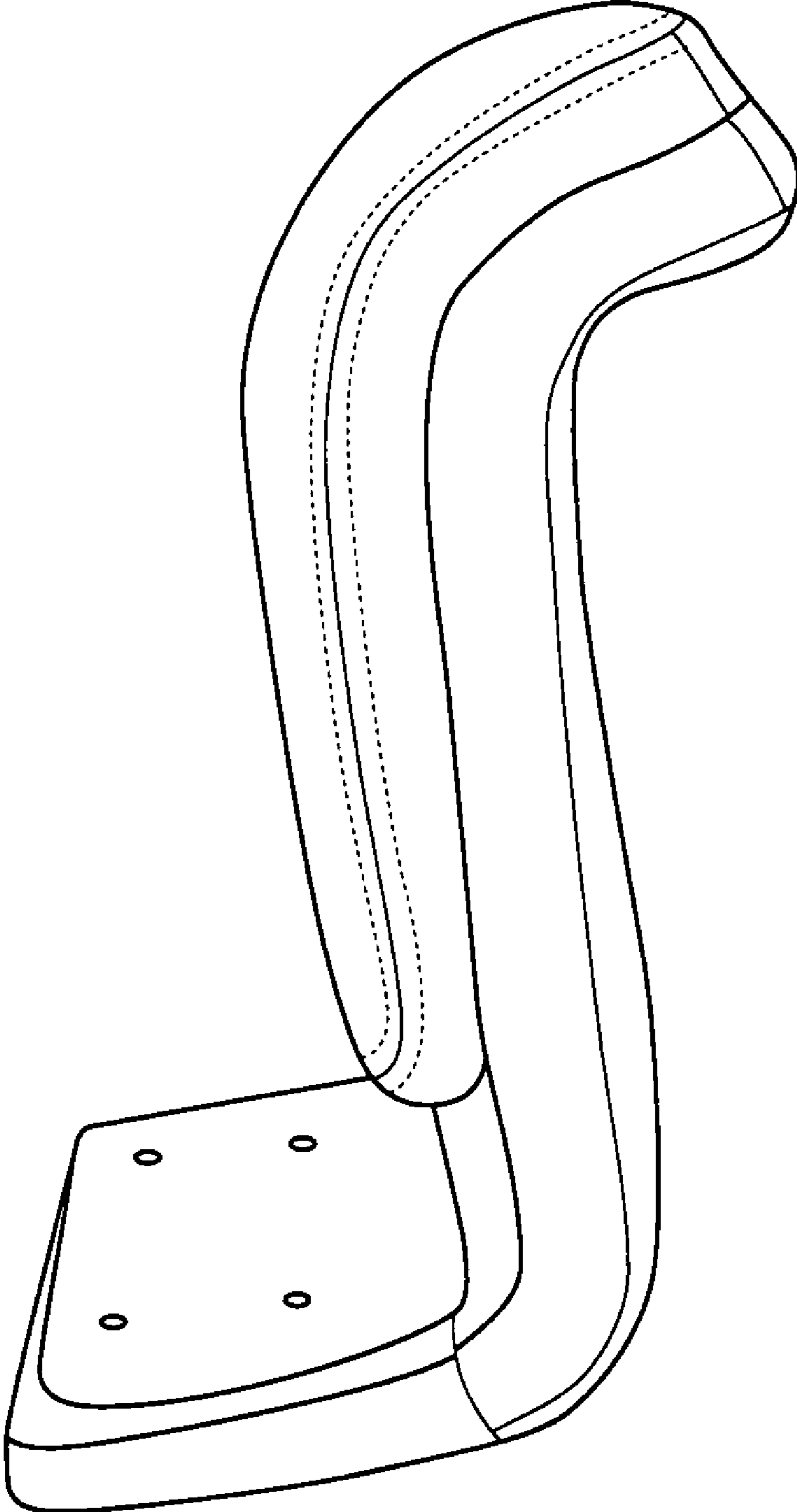


FIG. 6

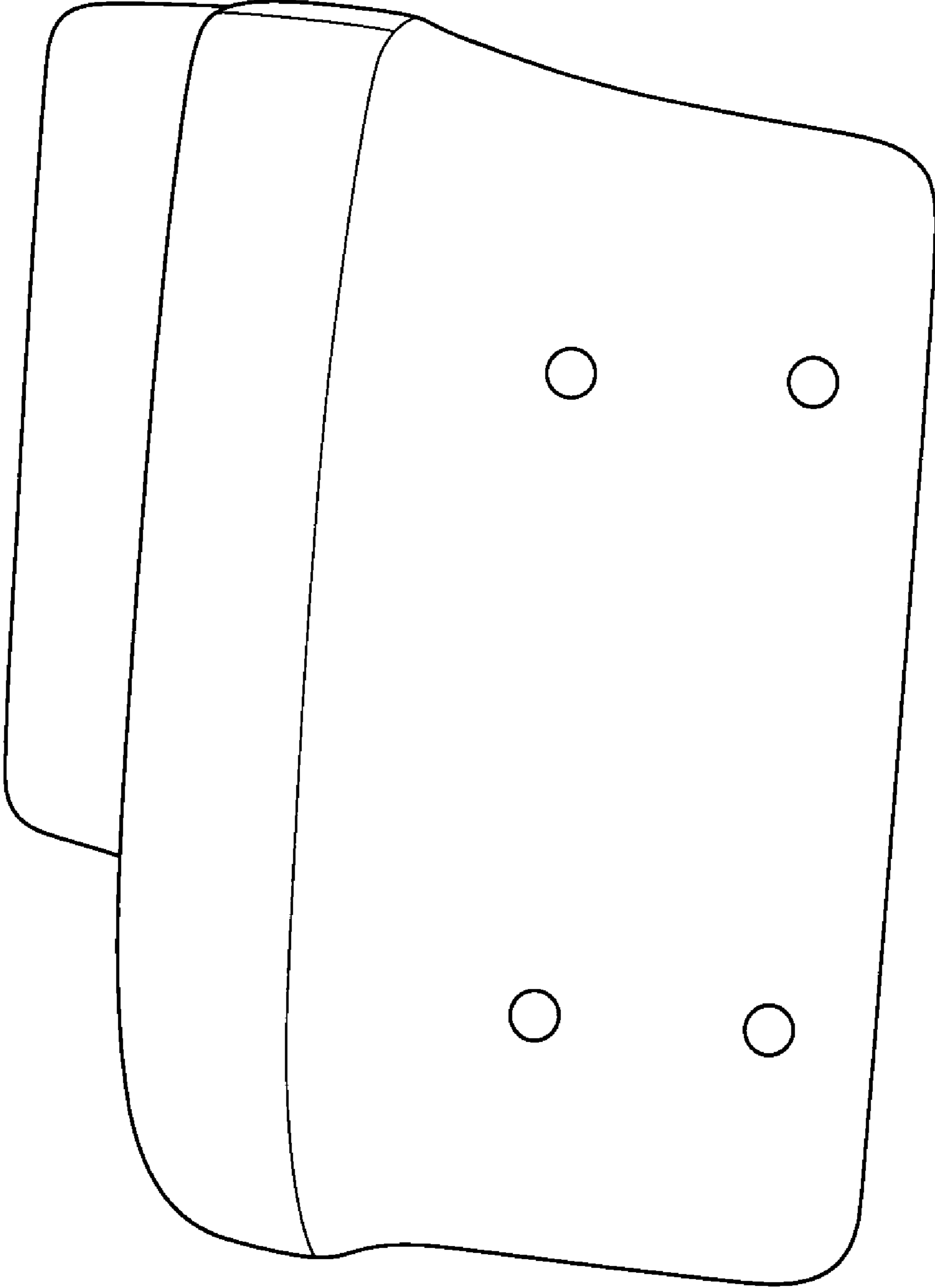


FIG. 7

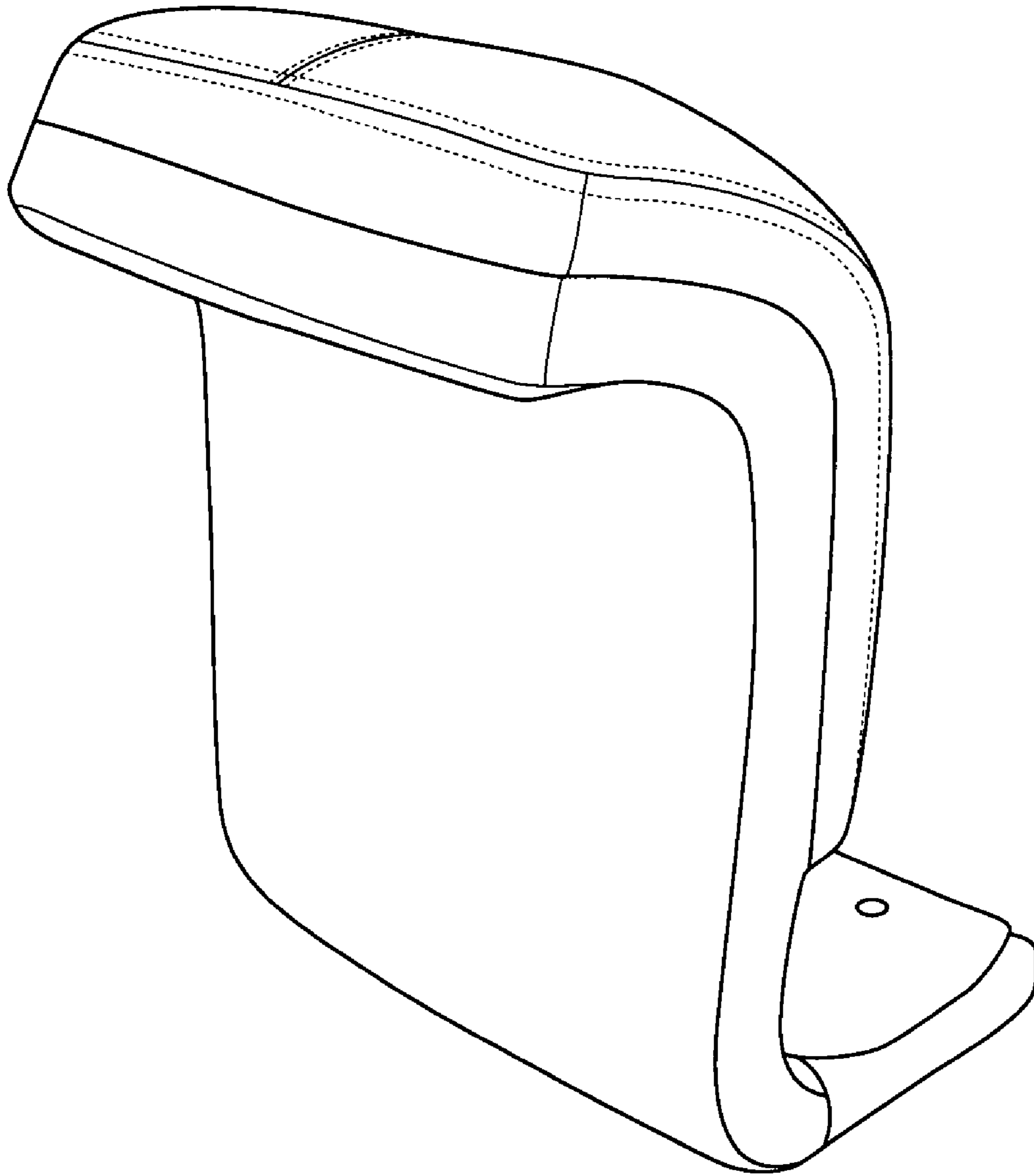


FIG. 8