



US00D557529S

(12) **United States Design Patent**  
**Cheng**

(10) **Patent No.:** **US D557,529 S**

(45) **Date of Patent:** **\*\* Dec. 18, 2007**

(54) **FURNITURE SUPPORT**

(75) Inventor: **Chung-Mau Cheng**, 4426 Calle Mayor  
#5, Torrance, CA (US) 90505

(73) Assignee: **Chung-Mau Cheng**, Torrance, CA (US)

(\*\*) Term: **14 Years**

(21) Appl. No.: **29/248,772**

(22) Filed: **Aug. 31, 2006**

(51) **LOC (8) Cl.** ..... **06-01**

(52) **U.S. Cl.** ..... **D6/500**

(58) **Field of Classification Search** ..... D6/334-338,  
D6/349, 355, 363, 364, 369-370, 381, 491,  
D6/500-502, 509, 511, 601; 297/16.1-16.2,  
297/116, 135, 154, 187, 158.3, 158.4, 158.5,  
297/184.1, 232, 244, 411.37, 440.1, 445.1;  
5/12.1, 655.3

See application file for complete search history.

(56) **References Cited**

**U.S. PATENT DOCUMENTS**

368,520	A *	8/1887	De Lill	297/411.43
600,764	A *	3/1898	Baily	248/164
D48,955	S *	4/1916	Wanner	D6/368
2,722,973	A *	11/1955	Murcott	108/118
D200,308	S *	2/1965	Klausen	D6/366
D252,426	S *	7/1979	Brelsford	D6/349
D263,526	S *	3/1982	Borichevsky	D6/379
D269,832	S *	7/1983	Crane	D6/368
D276,106	S *	10/1984	Grosfillex	D6/368
D276,107	S *	10/1984	Grosfillex	D6/368
D288,868	S *	3/1987	Saltzman et al.	D6/338
D295,345	S *	4/1988	Hubert	D6/368
D295,346	S *	4/1988	Hubert	D6/368
D305,081	S *	12/1989	Grosfillex	D6/361
4,934,638	A *	6/1990	Davis	248/164
D340,362	S *	10/1993	Kiel	D6/368
D346,075	S *	4/1994	Hess	D6/376
D366,791	S *	2/1996	Grosfillex	D6/495

D387,210	S *	12/1997	Hutton	D6/349
D396,569	S *	8/1998	Chen	D6/368
5,921,621	A *	7/1999	Cook et al.	297/16.2
D420,226	S *	2/2000	Sabo	D6/380
D422,430	S *	4/2000	Wilton	D6/429
D425,717	S *	5/2000	Tseng	D6/369
D431,938	S *	10/2000	Lewis	D6/480
D442,379	S *	5/2001	Vertongen	D6/368
D465,949	S *	11/2002	Garfinkle	D6/501
6,634,704	B1 *	10/2003	Bergquist	297/16.2
D541,561	S *	5/2007	Harrison	D6/500
D542,062	S *	5/2007	Harrison	D6/500

\* cited by examiner

*Primary Examiner*—Sandra Snapp

(57) **CLAIM**

The ornamental design for furniture support, as shown and described.

**DESCRIPTION**

FIG. 1 is a perspective view of a first embodiment of a furniture support, the furniture support shown in use with a table, the table top shown is broken lines is for illustrative purposes only and forms no part of the claimed design;

FIG. 2 is a perspective view of a second embodiment of a furniture support, the furniture support shown in use with a chair, the chair top shown is broken lines is for illustrative purposes only and form no part of the claimed design;

FIG. 3 is a perspective view of one leg of the furniture support removed for ease of illustration;

FIG. 4 is a right-side elevational view of the furniture support, the left-side elevation view, the front elevation view, and the rear elevation view all being mirror images thereof;

FIG. 5 is a top plan view of the furniture support; and,

FIG. 6 is a bottom plan view of the furniture support.

**1 Claim, 2 Drawing Sheets**

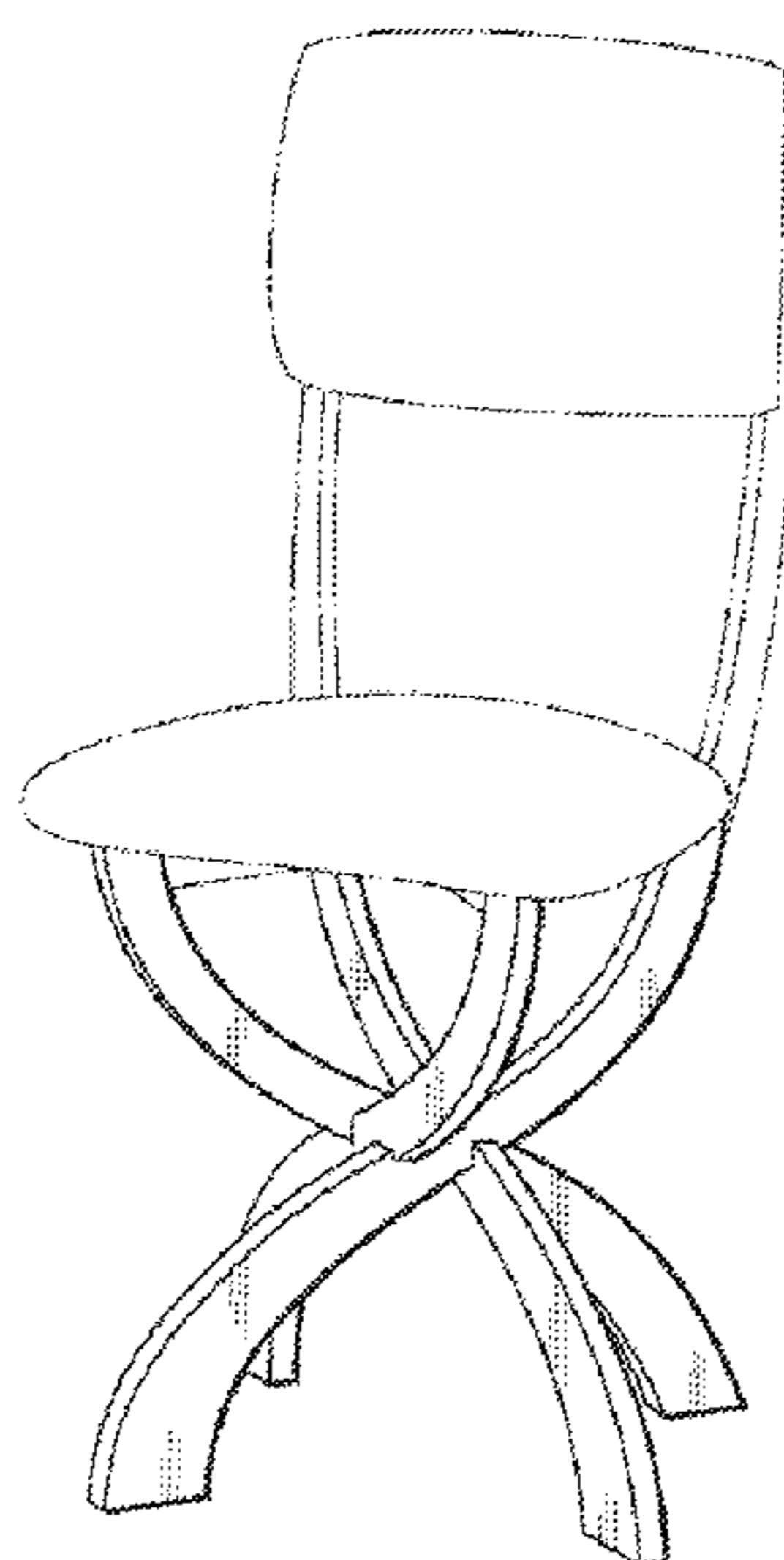


Fig. 2

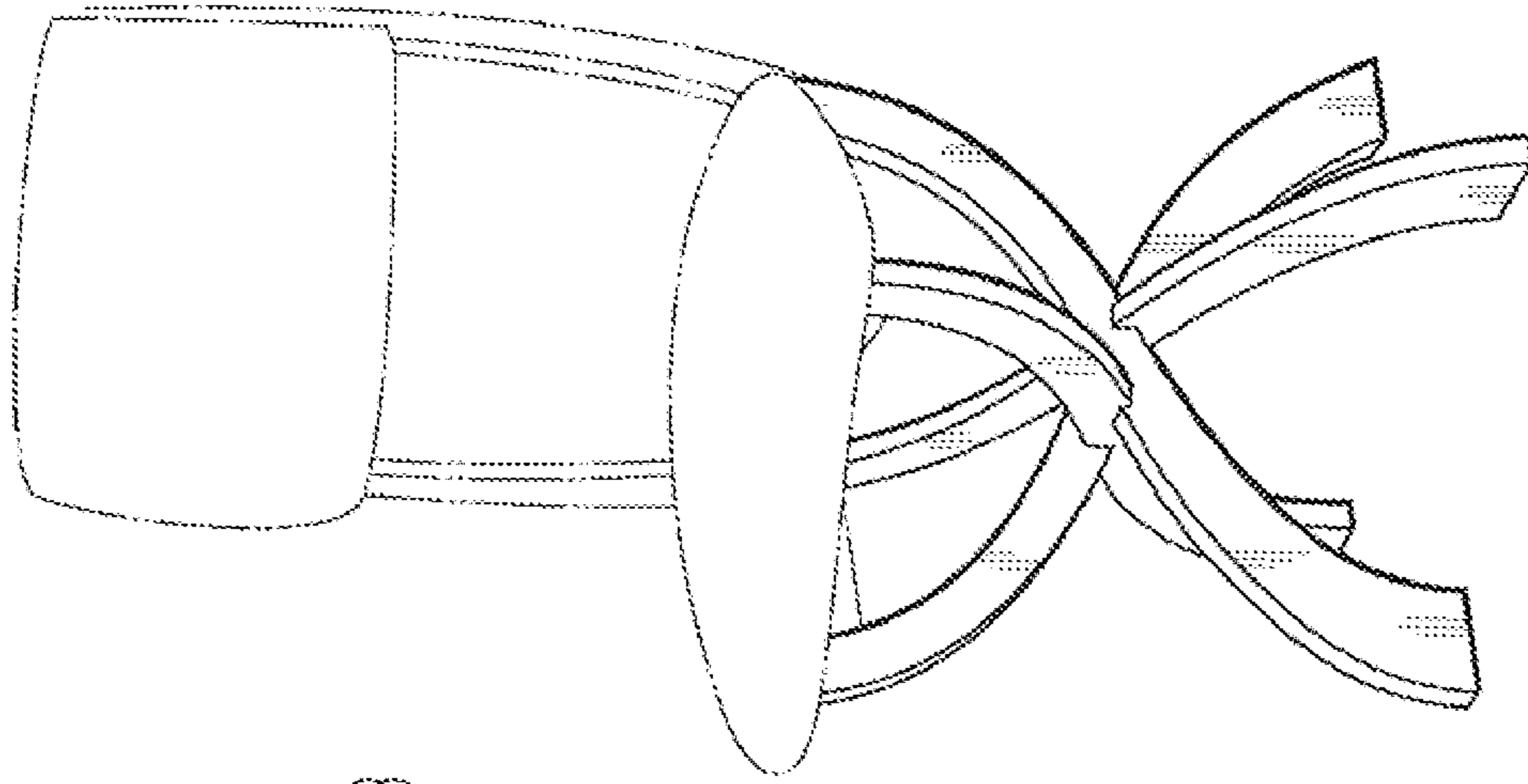
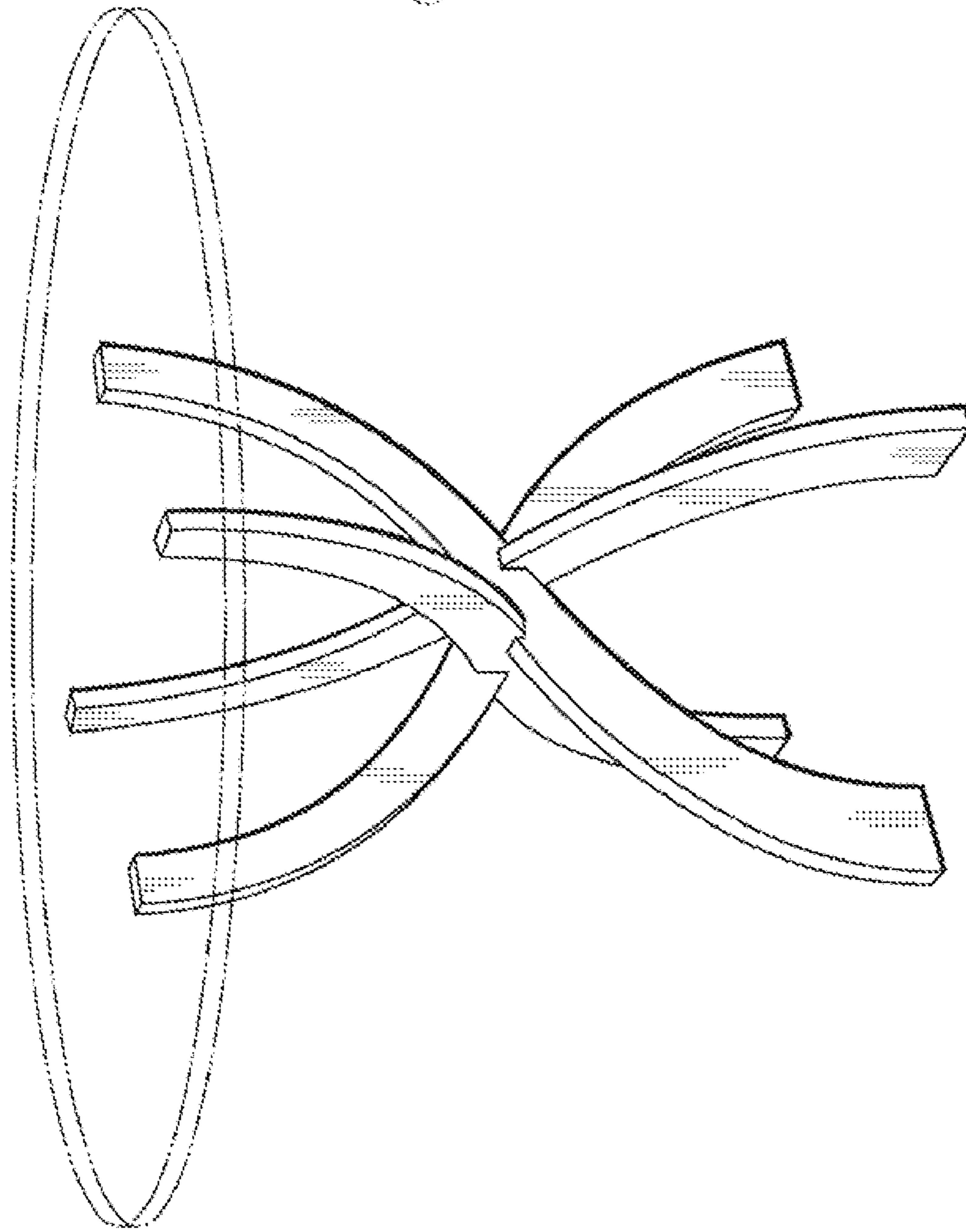
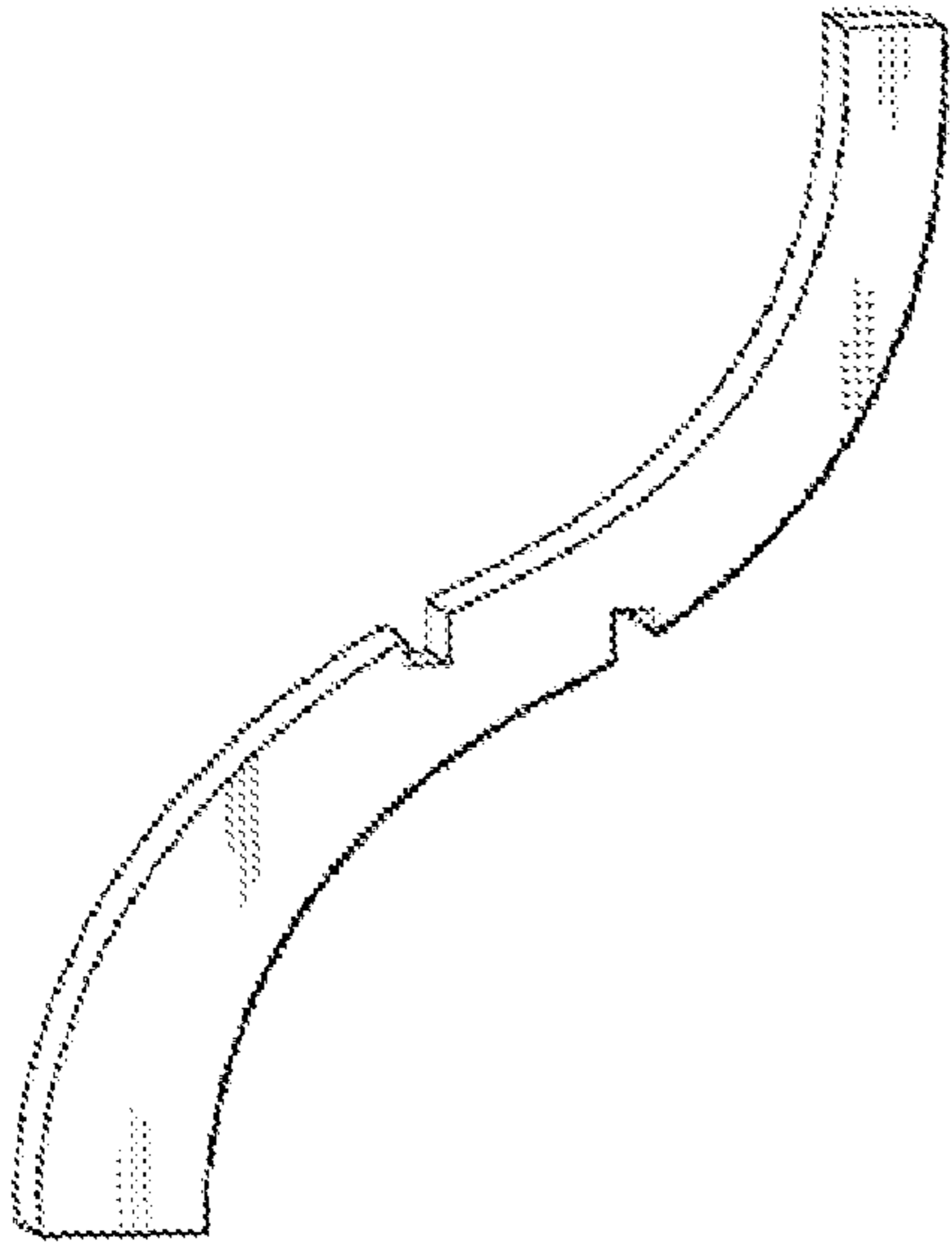


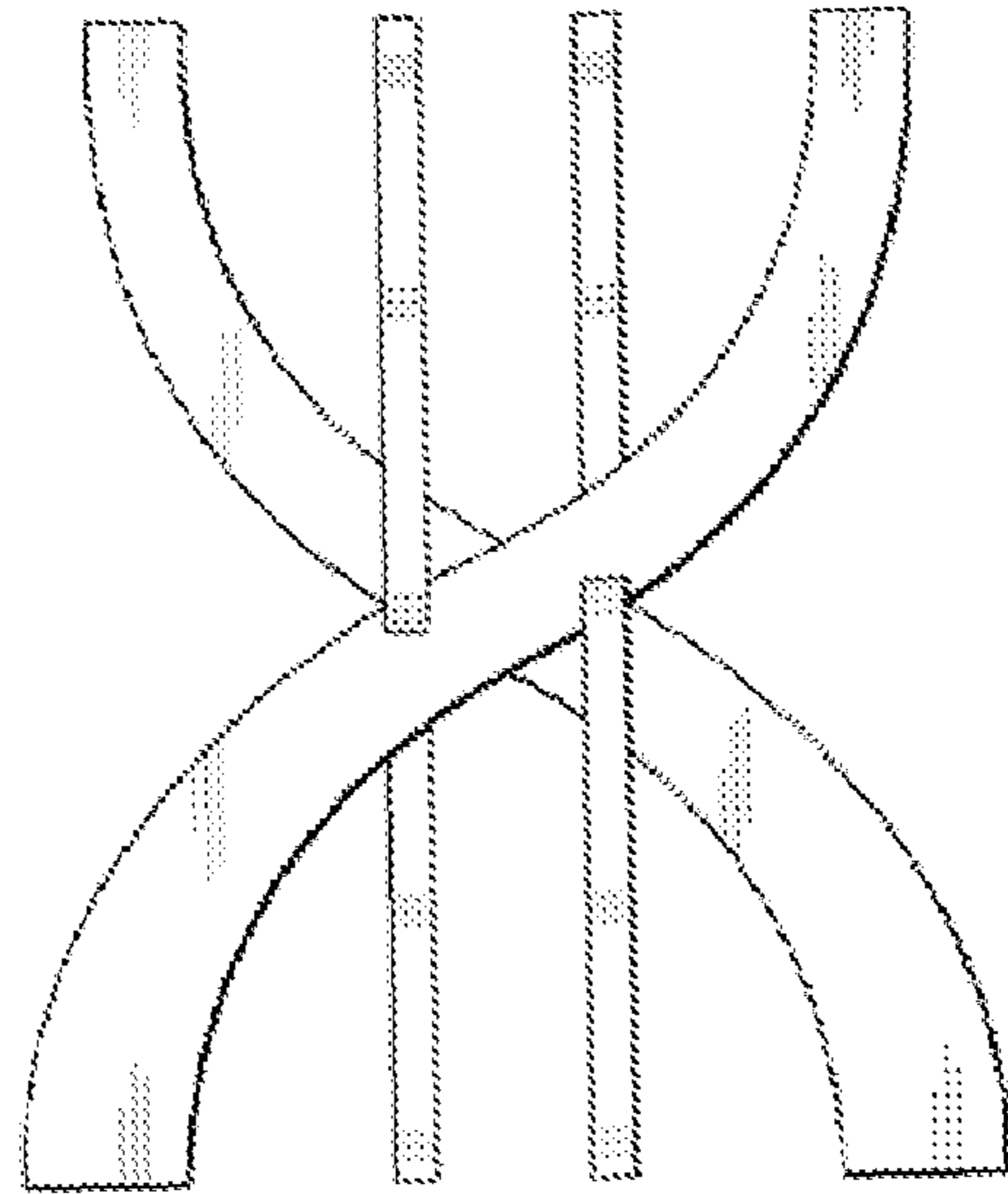
Fig. 1



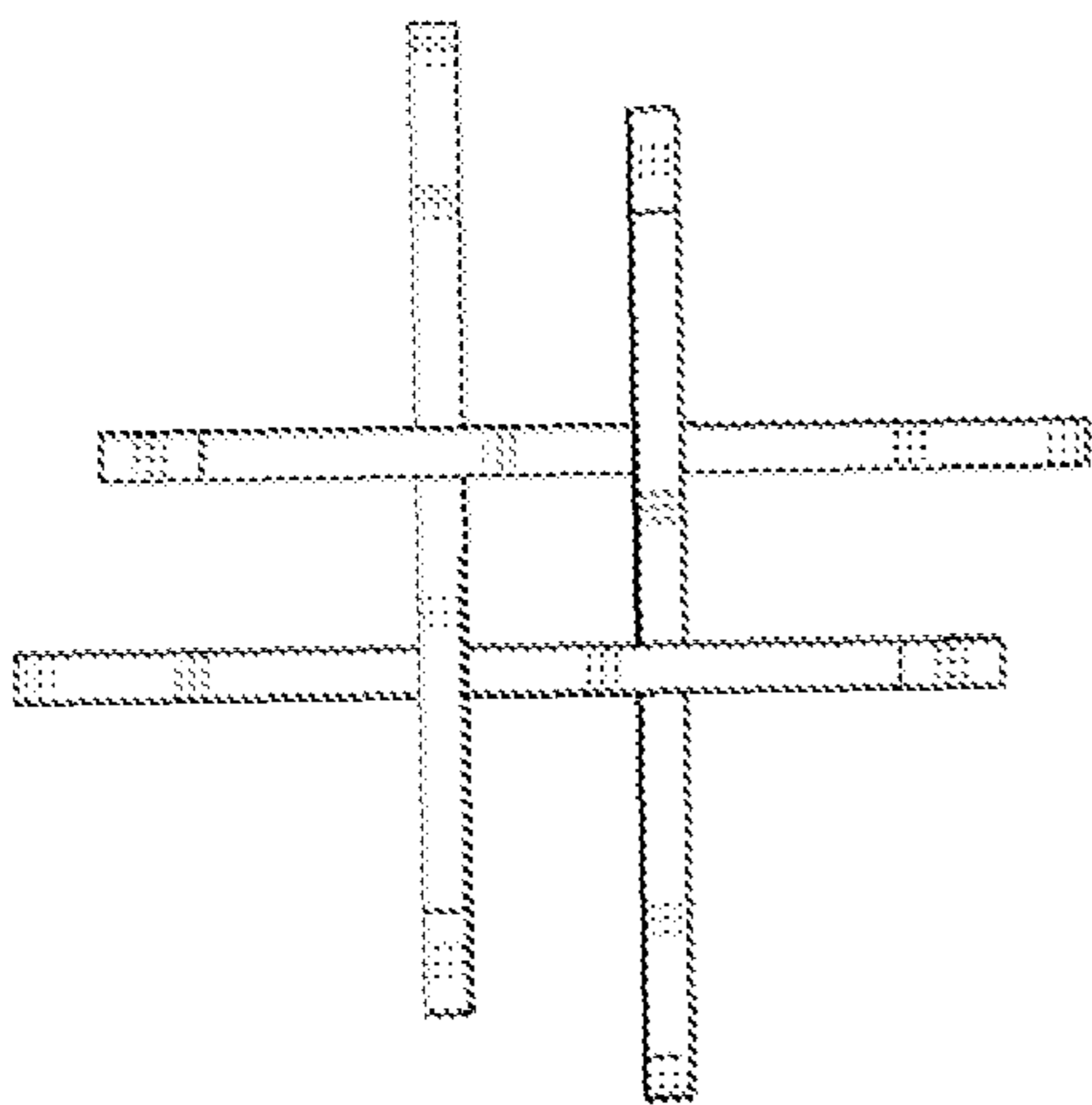
*Fig. 3*



*Fig. 4*



*Fig. 5*



*Fig. 6*

