



US00D557527S

(12) **United States Design Patent**
Quintal

(10) **Patent No.:** **US D557,527 S**

(45) **Date of Patent:** **** Dec. 18, 2007**

(54) **TABLE SUPPORT LEG**

D469,993 S * 2/2003 Lasota D6/499

(75) Inventor: **Alain Quintal**, 4745 Road 125,
Rawdon, Quebec (CA) J0K 1S0

D474,355 S * 5/2003 Sexton D6/484

D512,589 S * 12/2005 Montague, III D6/499

(73) Assignee: **Alain Quintal**, Montreal, Quebec (CA)

(**) Term: **14 Years**

* cited by examiner

(21) Appl. No.: **29/247,290**

Primary Examiner—Janice E. Seeger

(22) Filed: **Jul. 14, 2006**

(74) *Attorney, Agent, or Firm*—Brouillette & Partners;
Robert Brouillette

(30) **Foreign Application Priority Data**

(57) **CLAIM**

Feb. 21, 2006 (CA) 114577

The ornamental design for a table support leg, as shown.

(51) **LOC (8) Cl.** **06-06**

(52) **U.S. Cl.** **D6/499**

(58) **Field of Classification Search** D6/480–489,
D6/495–499, 511, 429; 108/150, 153.1,
108/155, 156, 157.1, 161; 248/188, 188.1,
248/188.8

See application file for complete search history.

DESCRIPTION

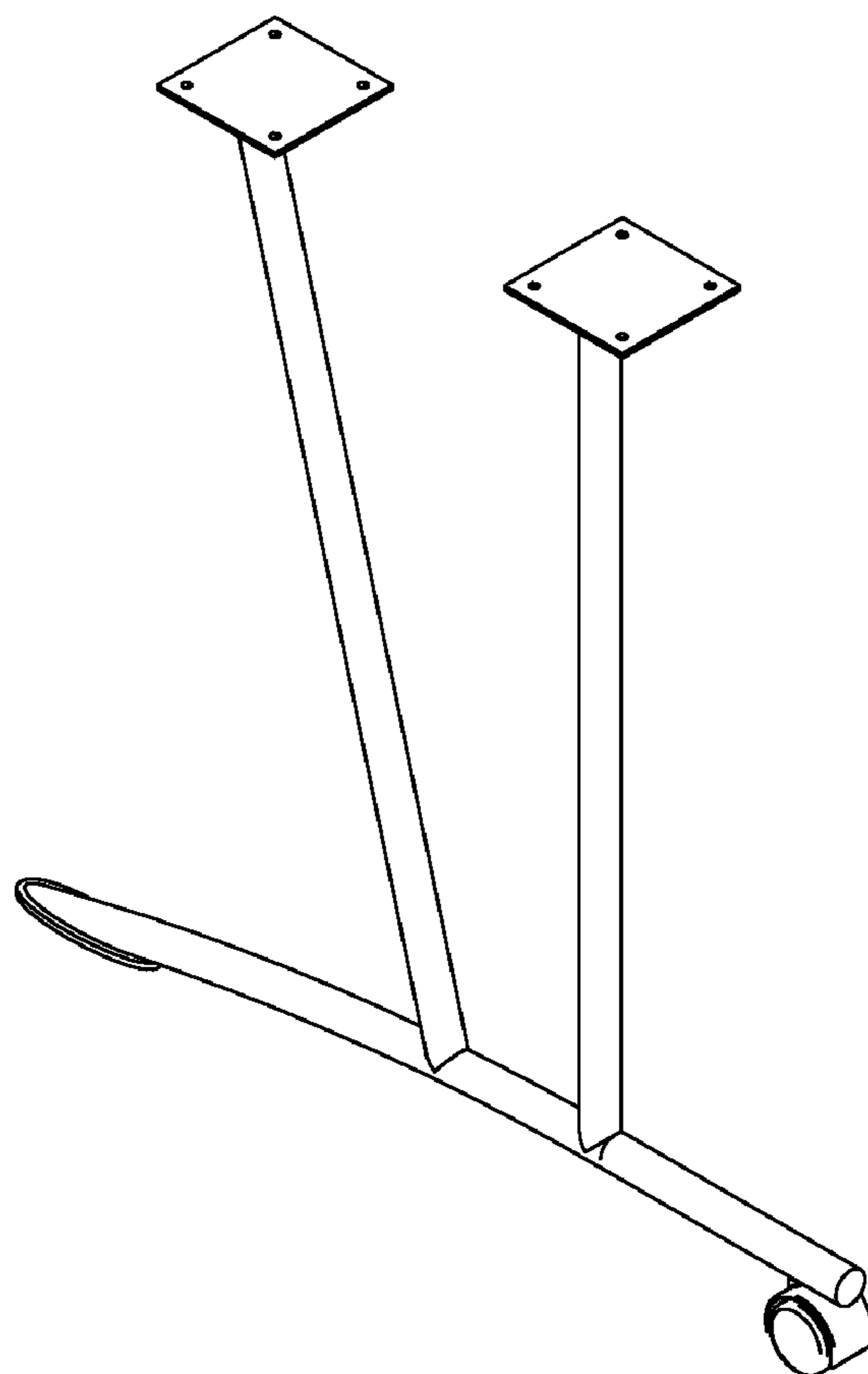
(56) **References Cited**

FIG. 1 is a side view of the table support leg;
FIG. 2 is a front view of the table support leg;
FIG. 3 is a top view of the table support leg;
FIG. 4 is a bottom view of the table support leg; and,
FIG. 5 is a front perspective view of the table support leg.

U.S. PATENT DOCUMENTS

D410,806 S * 6/1999 Olson et al. D6/484

1 Claim, 5 Drawing Sheets



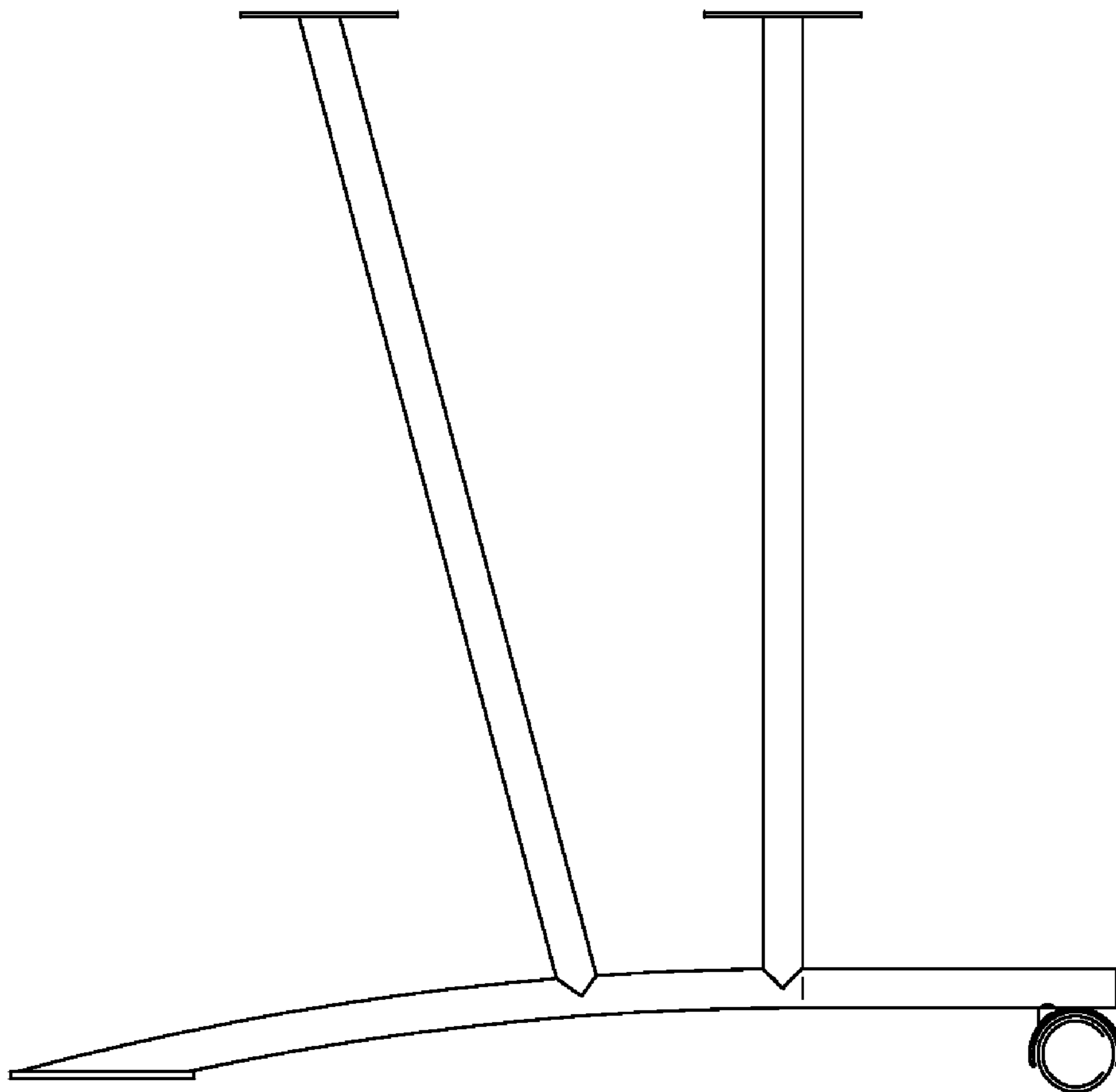


FIG. 1

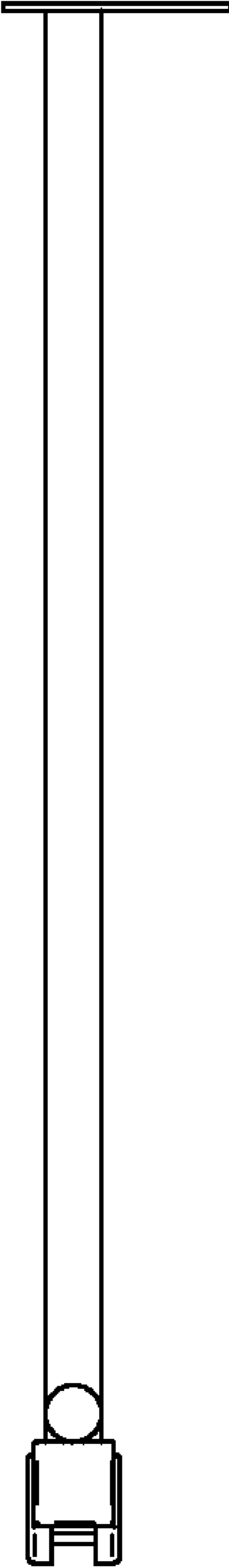


FIG. 2

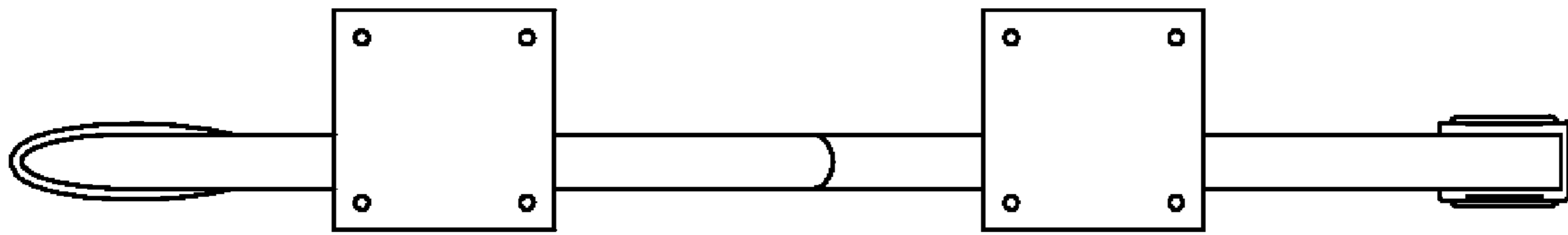


FIG.3

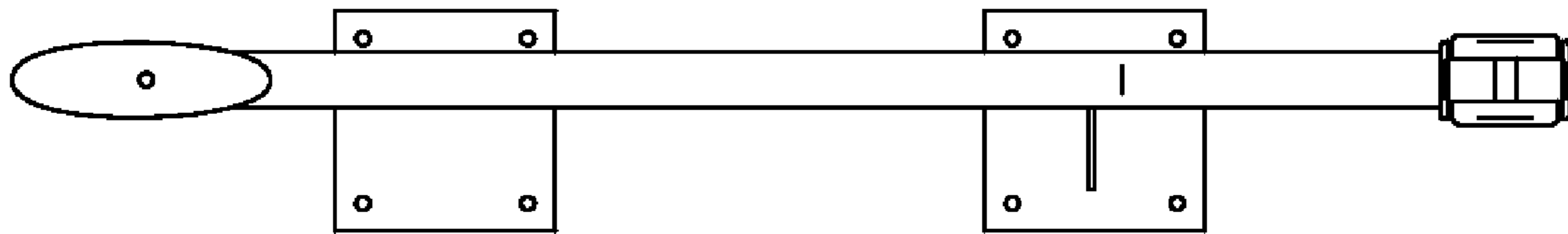


FIG.4

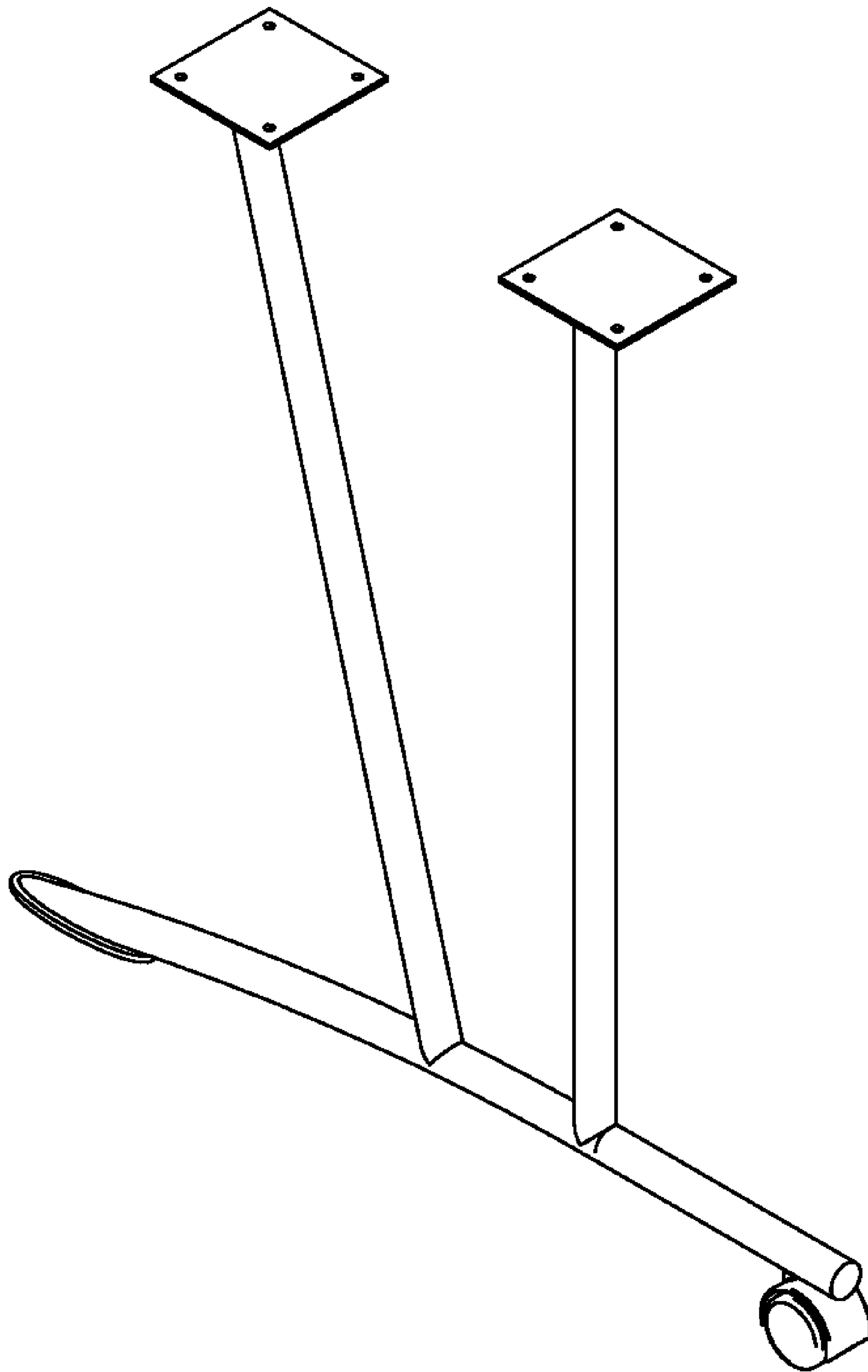


FIG. 5