

US00D557524S

(12) **United States Design Patent**
Simpson

(10) **Patent No.:** **US D557,524 S**

(45) **Date of Patent:** **** Dec. 18, 2007**

(54) **TABLE**

D361,230 S * 8/1995 Vignelli et al. D6/487
D372,384 S * 8/1996 Saldana et al. D6/487

(75) Inventor: **Kelly L. Simpson**, Langhorne, PA (US)

(73) Assignee: **InterDesign, Inc.**, Solon, OH (US)

(**) Term: **14 Years**

(21) Appl. No.: **29/252,436**

(22) Filed: **Jan. 23, 2006**

(51) **LOC (8) Cl.** **06-03**

(52) **U.S. Cl.** **D6/487; D6/488**

(58) **Field of Classification Search** D6/480-489,
D6/495-499, 511, 429-431; 108/150, 155,
108/153.1, 156, 157.1, 161; 248/188, 188.1,
248/188.8

See application file for complete search history.

(56) **References Cited**

U.S. PATENT DOCUMENTS

D155,125 S * 9/1949 Castelli D6/488
D230,164 S * 1/1974 Young D30/106
D246,341 S * 11/1977 Boughton D6/487
D291,752 S * 9/1987 Conn D6/487
5,435,510 A * 7/1995 Wey 248/188.1

OTHER PUBLICATIONS

Interiors Mar. 1956, p. 124, table at lower left.*

* cited by examiner

Primary Examiner—Janice E. Seeger

(74) *Attorney, Agent, or Firm*—D. Peter Hochberg; Sean Mellino

(57) **CLAIM**

The ornamental design for a table, as shown and described.

DESCRIPTION

FIG. 1 is a perspective view of the table according to the invention;

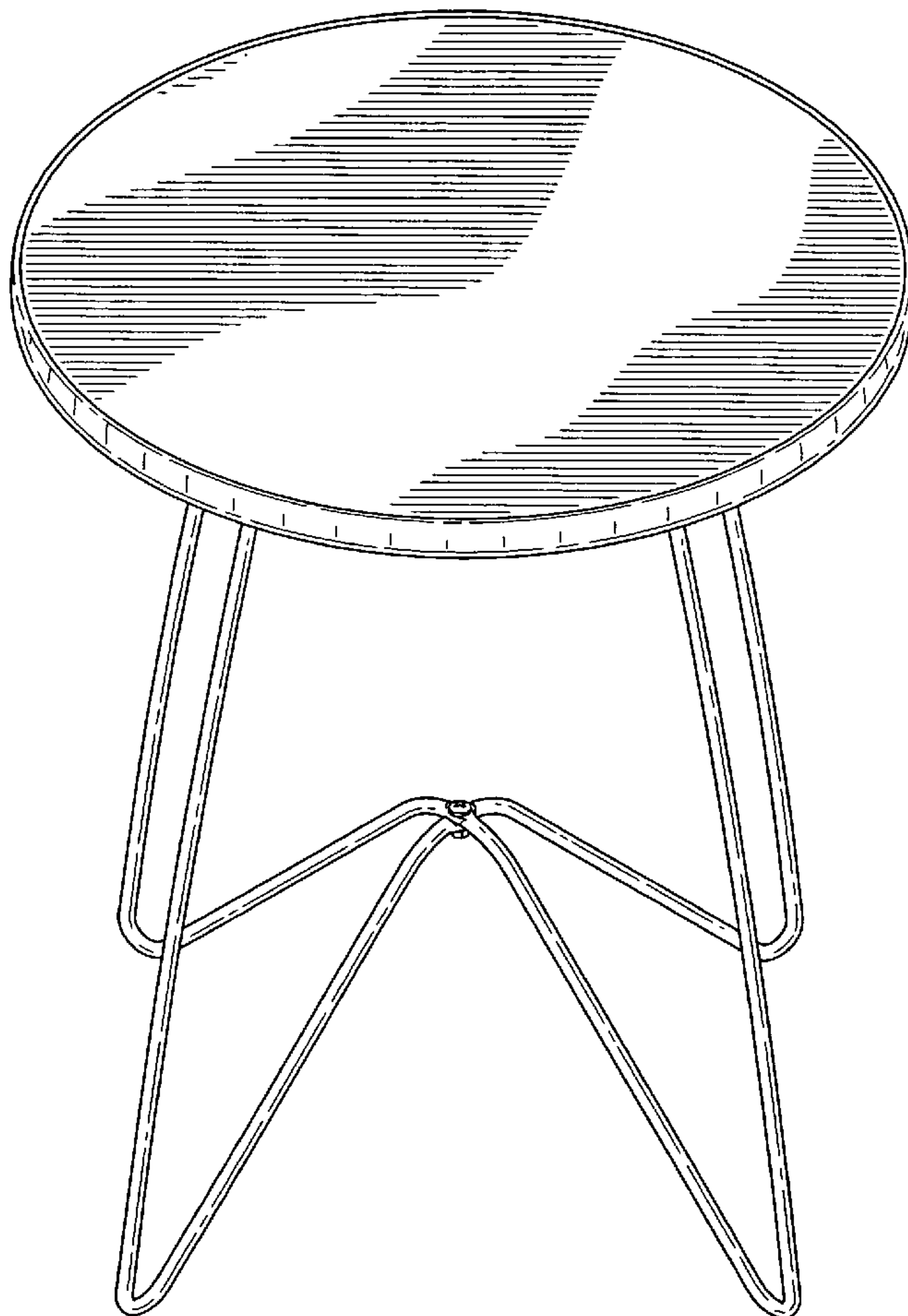
FIG. 2 is a top view of the table as shown in FIG. 1;

FIG. 3 is a side view of the table as shown in FIG. 1;

FIG. 4 is a side view of the table as shown in FIG. 1, shown from the opposite side as that shown in FIG. 3; and,

FIG. 5 is a bottom view of the table as shown in FIG. 1.

1 Claim, 3 Drawing Sheets



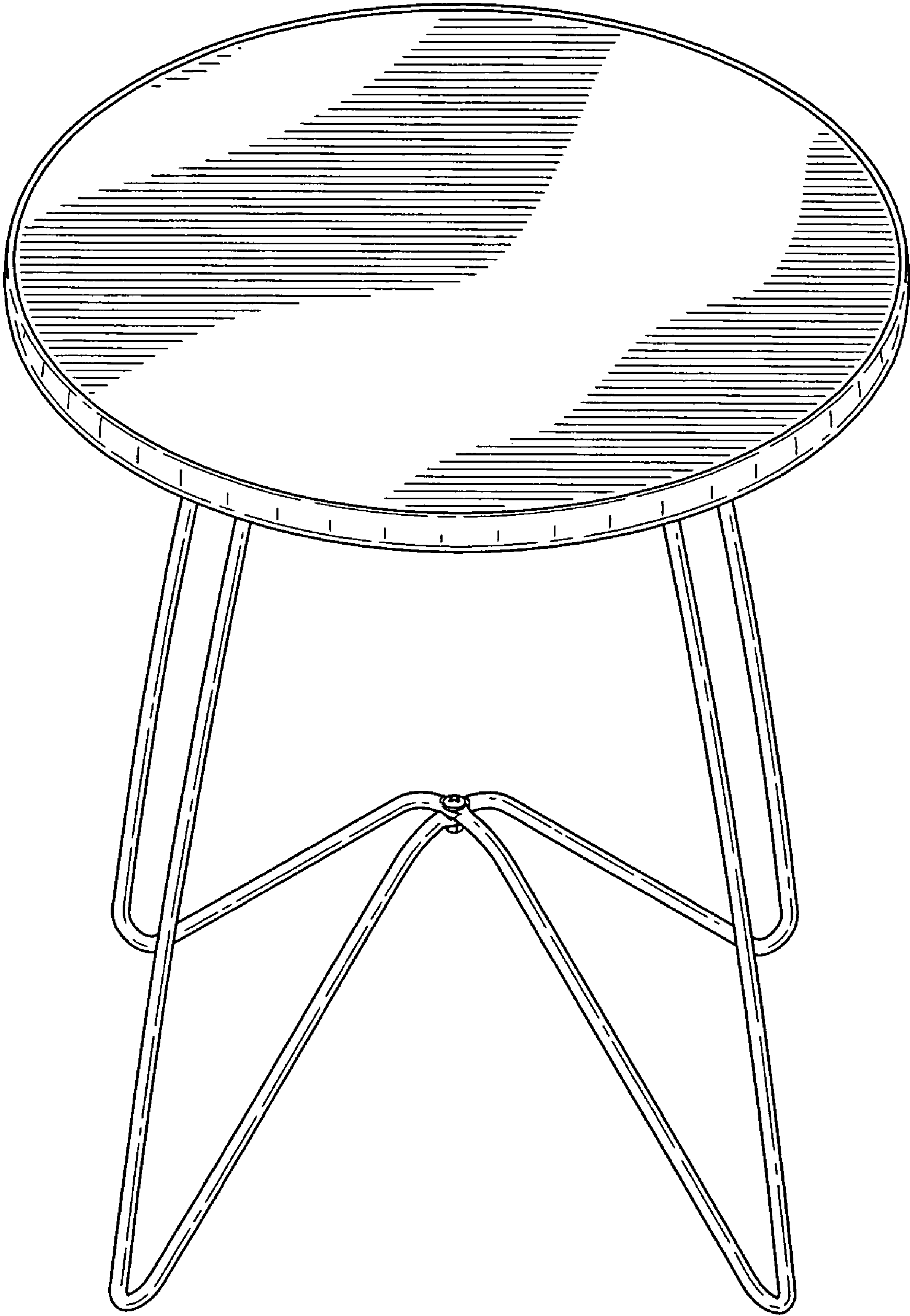


FIG-1

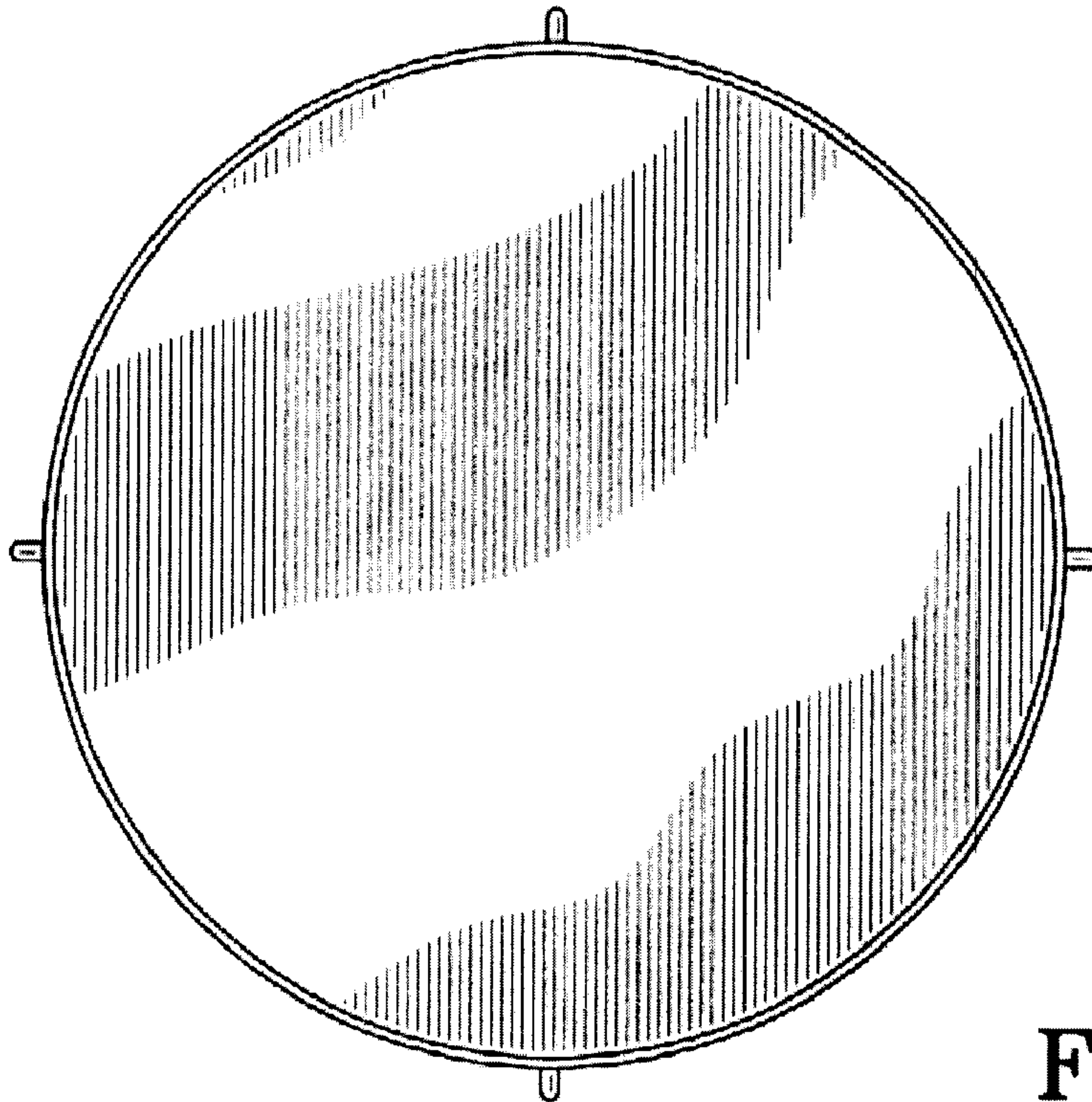


FIG-2

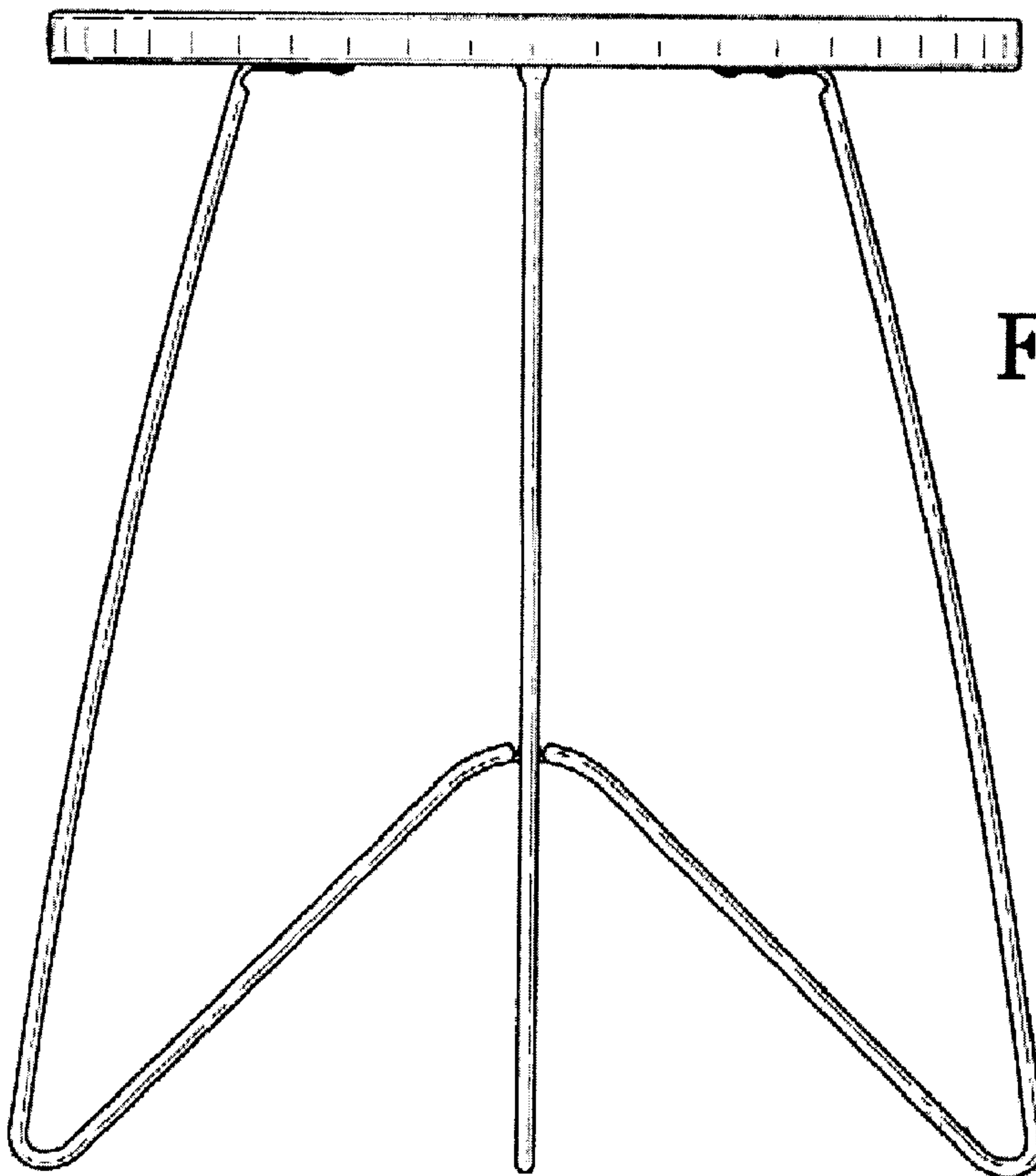


FIG-3

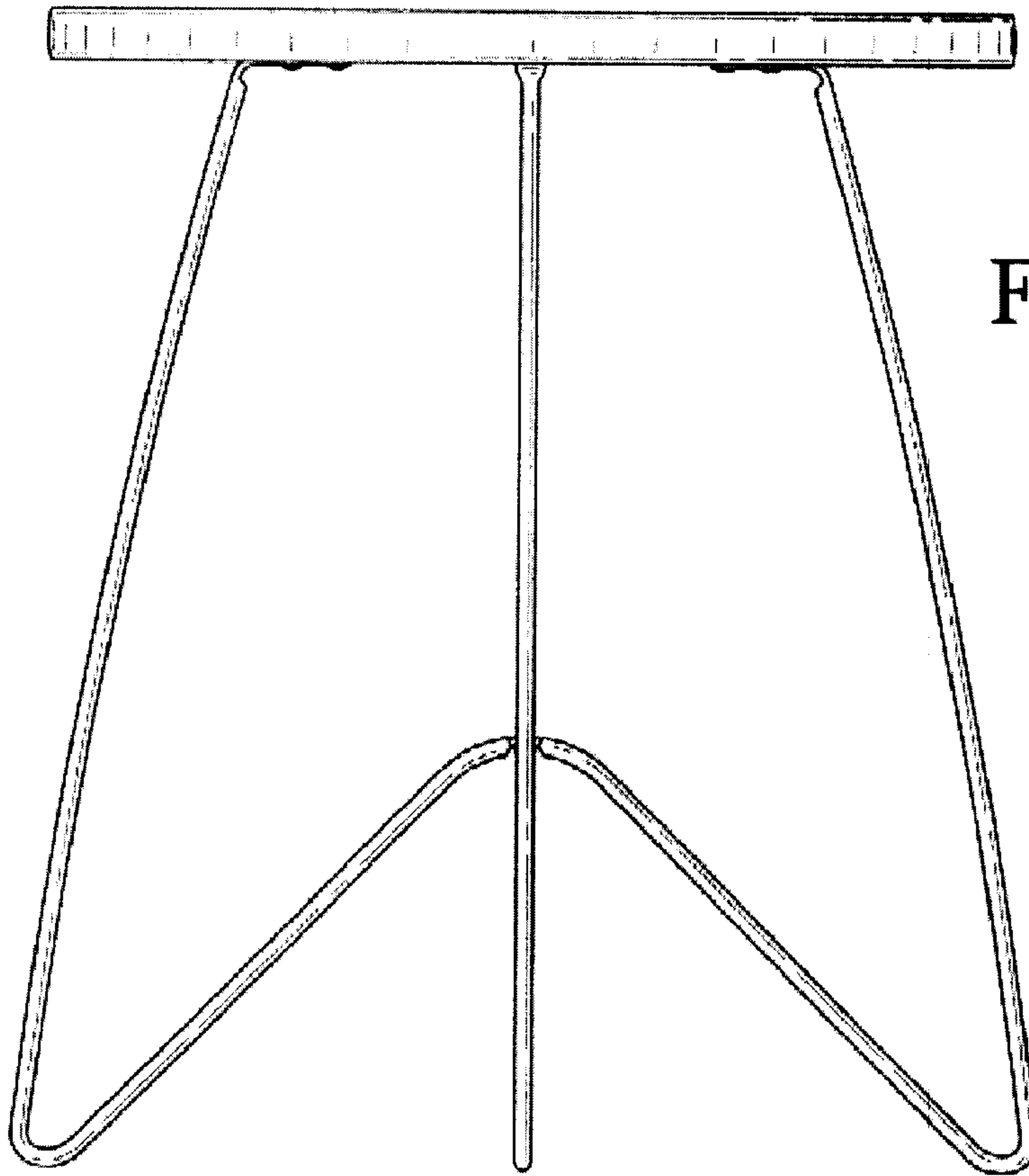


FIG-4

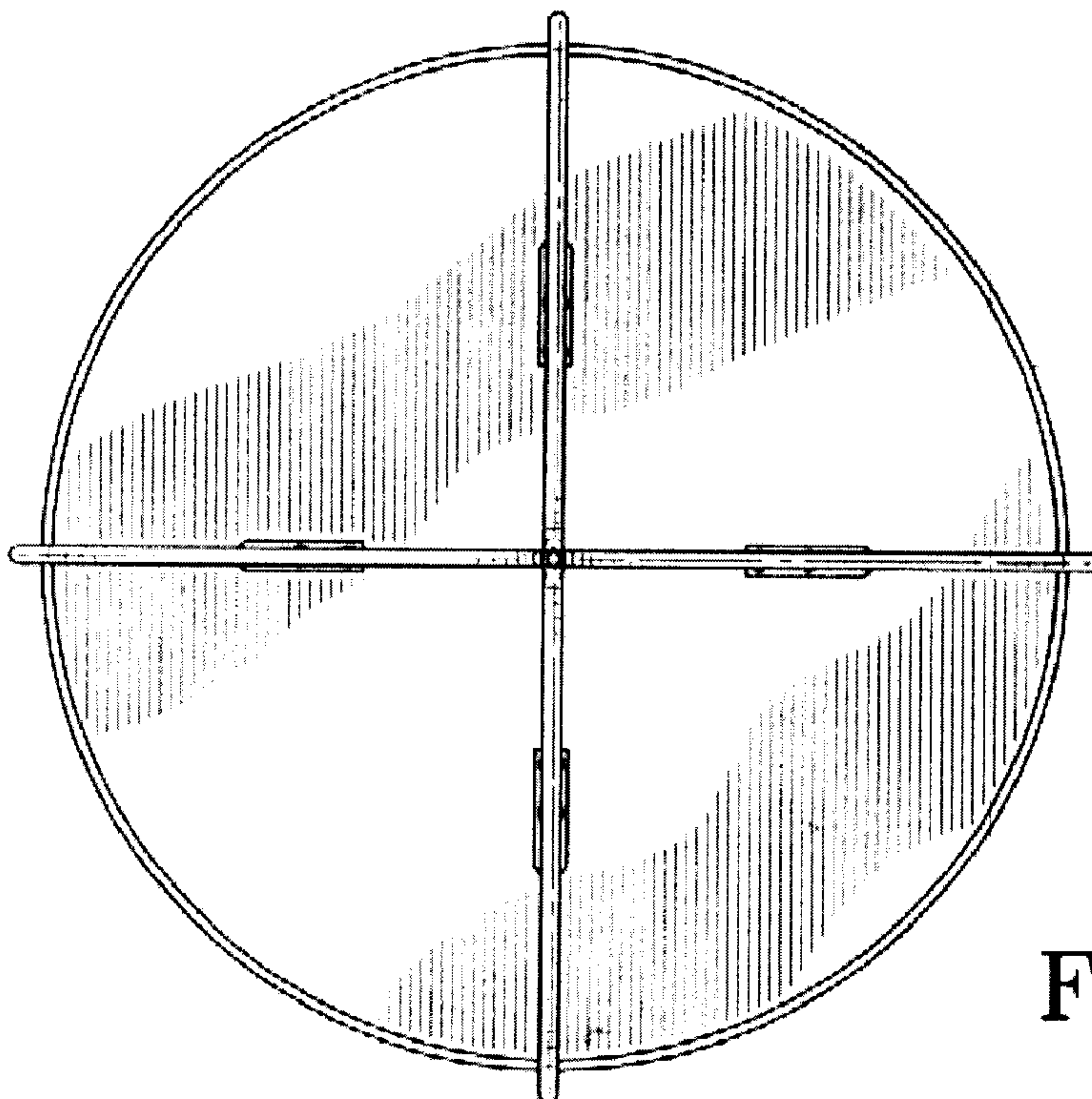


FIG-5