



US00D557522S

(12) **United States Design Patent**
Stapleton

(10) **Patent No.:** **US D557,522 S**

(45) **Date of Patent:** **** Dec. 18, 2007**

(54) **DESK**

(76) **Inventor:** **Richard John Stapleton**, 517 Saint Andrews Cir., Statesboro, GA (US) 30458

(**) **Term:** **14 Years**

(21) **Appl. No.:** **29/262,703**

(22) **Filed:** **Jul. 10, 2006**

(51) **LOC (8) Cl.** **06-03**

(52) **U.S. Cl.** **D6/484; D6/429**

(58) **Field of Classification Search** D6/480-489, D6/495-499, 511, 429, 477, 420; 108/150, 108/153.1, 155, 156, 157.1, 161, 146, 147, 108/145, 144.11; 248/188, 188.1, 188.8, 248/157

See application file for complete search history.

(56) **References Cited**

U.S. PATENT DOCUMENTS

- D134,456 S * 12/1942 Hillenbrand D6/406.1
- D197,653 S * 3/1964 Sundburg D6/496
- D254,586 S * 4/1980 Koves D6/496
- D293,397 S * 12/1987 Hunt D6/429
- D370,795 S * 6/1996 Skov et al. D6/420

- 5,758,586 A * 6/1998 Kieser et al. 108/147
- D409,020 S * 5/1999 Hardin D6/480
- D446,045 S * 8/2001 Hunt et al. D6/426

* cited by examiner

Primary Examiner—Janice E. Seeger

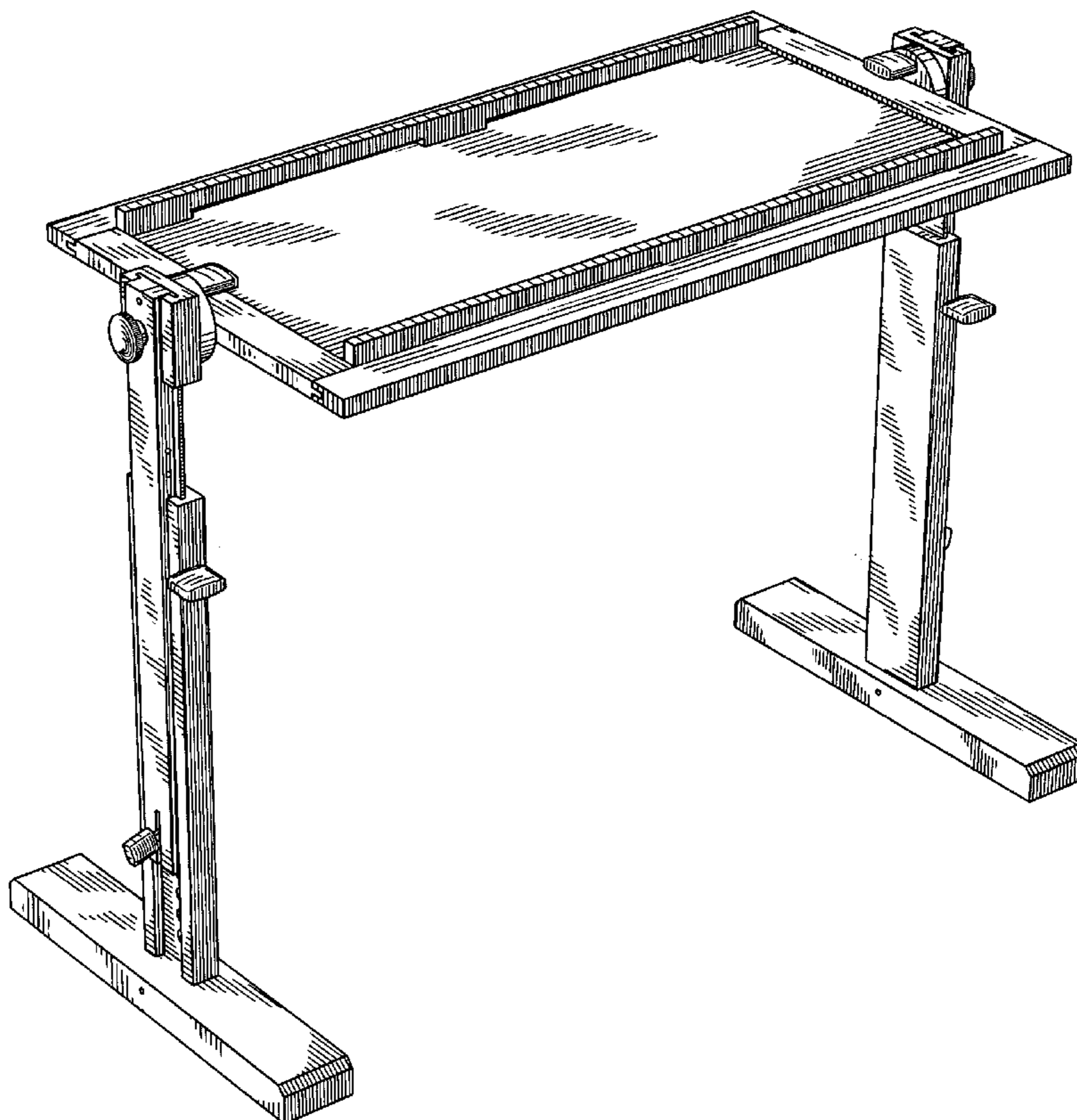
(57) **CLAIM**

The ornamental design for a desk, as shown and described.

DESCRIPTION

FIG. 1 is a front view of my desk.
 FIG. 2 is a rear view of my desk.
 FIG. 3 is a right side view of my desk. FIG. 3 is also the mirror image of a left side view of my desk.
 FIG. 4 is a top view of my desk.
 FIG. 5 is a bottom view of my desk.
 FIG. 6 is a top-front-left perspective view of my desk; and,
 FIG. 7 is a bottom-front-left perspective view of my desk.
 My desk is characterized by two “inverted T” shaped legs, and a rectangular workspace. The rectangular workspace is connected to the legs along a rotatable axis defined by cylindrical supporting and tightening members.

1 Claim, 6 Drawing Sheets



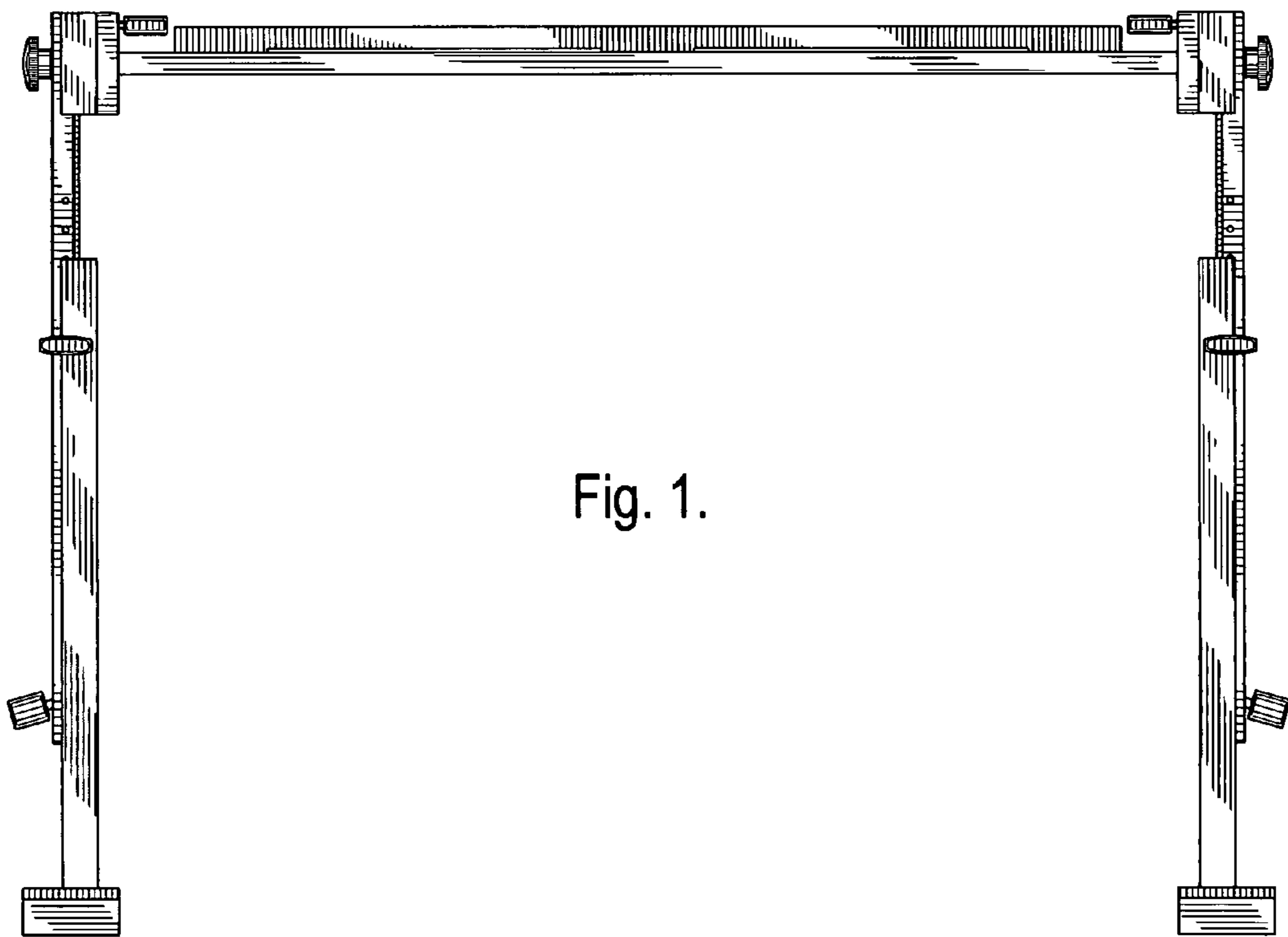


Fig. 1.

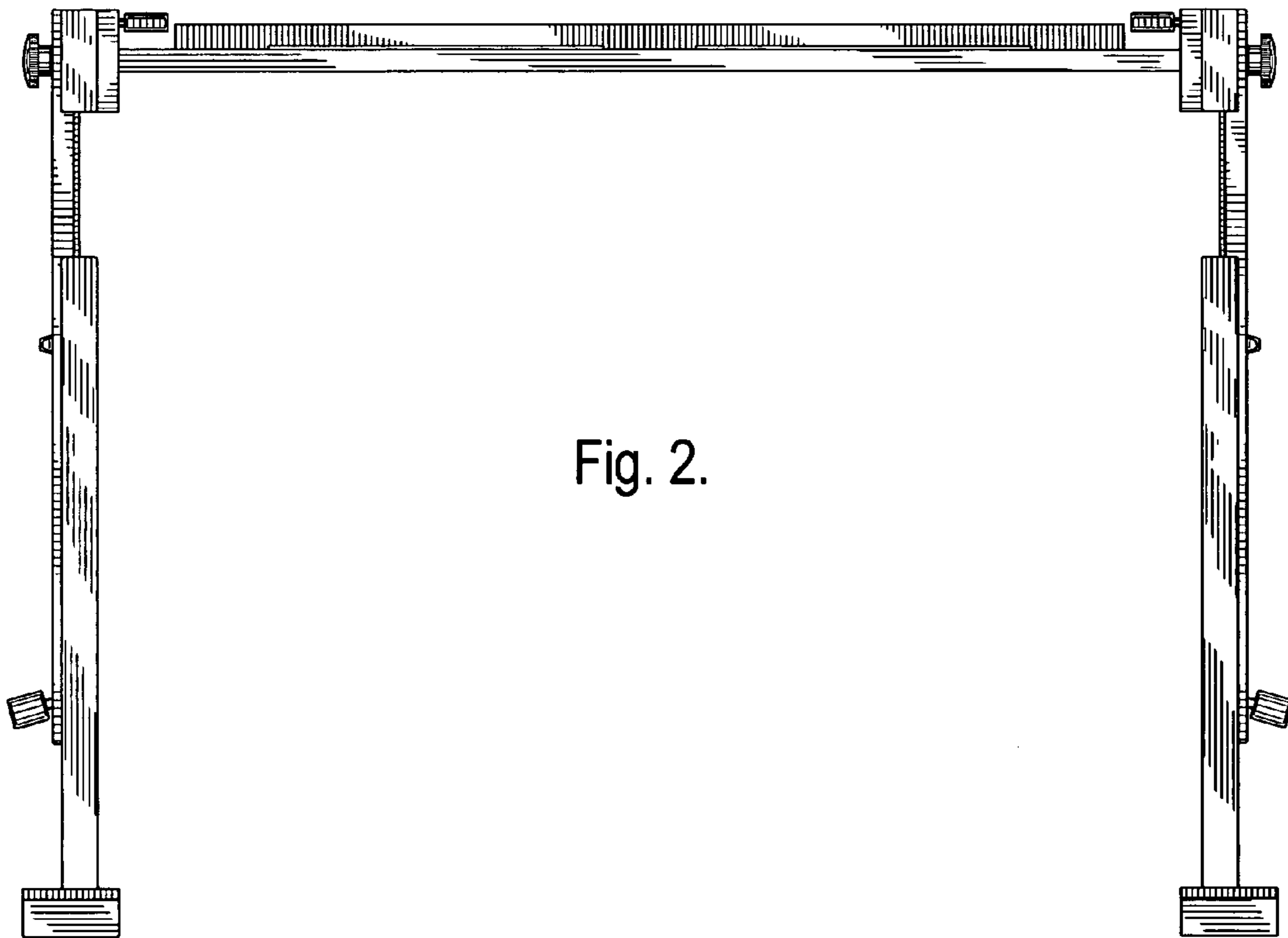


Fig. 2.

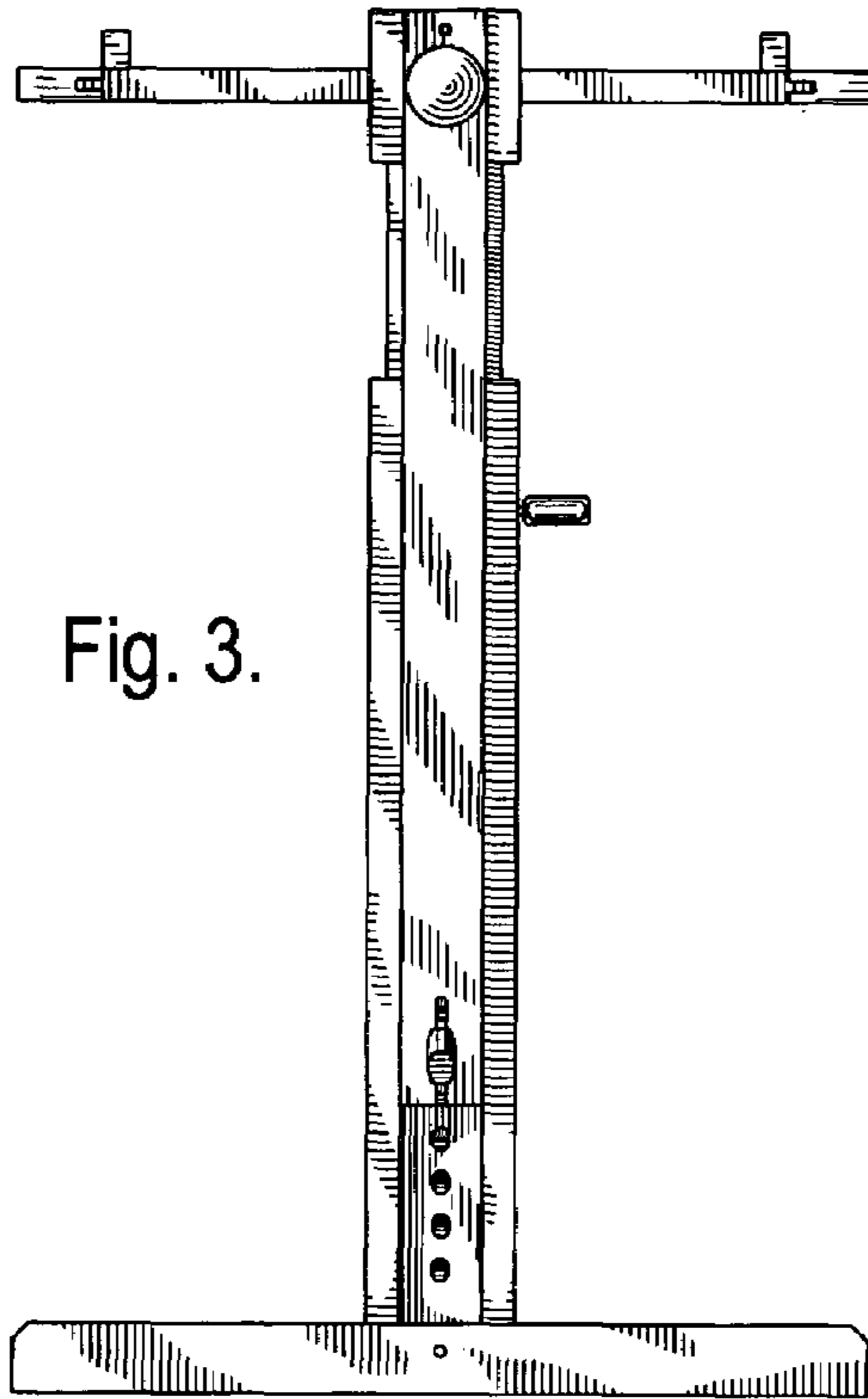


Fig. 3.

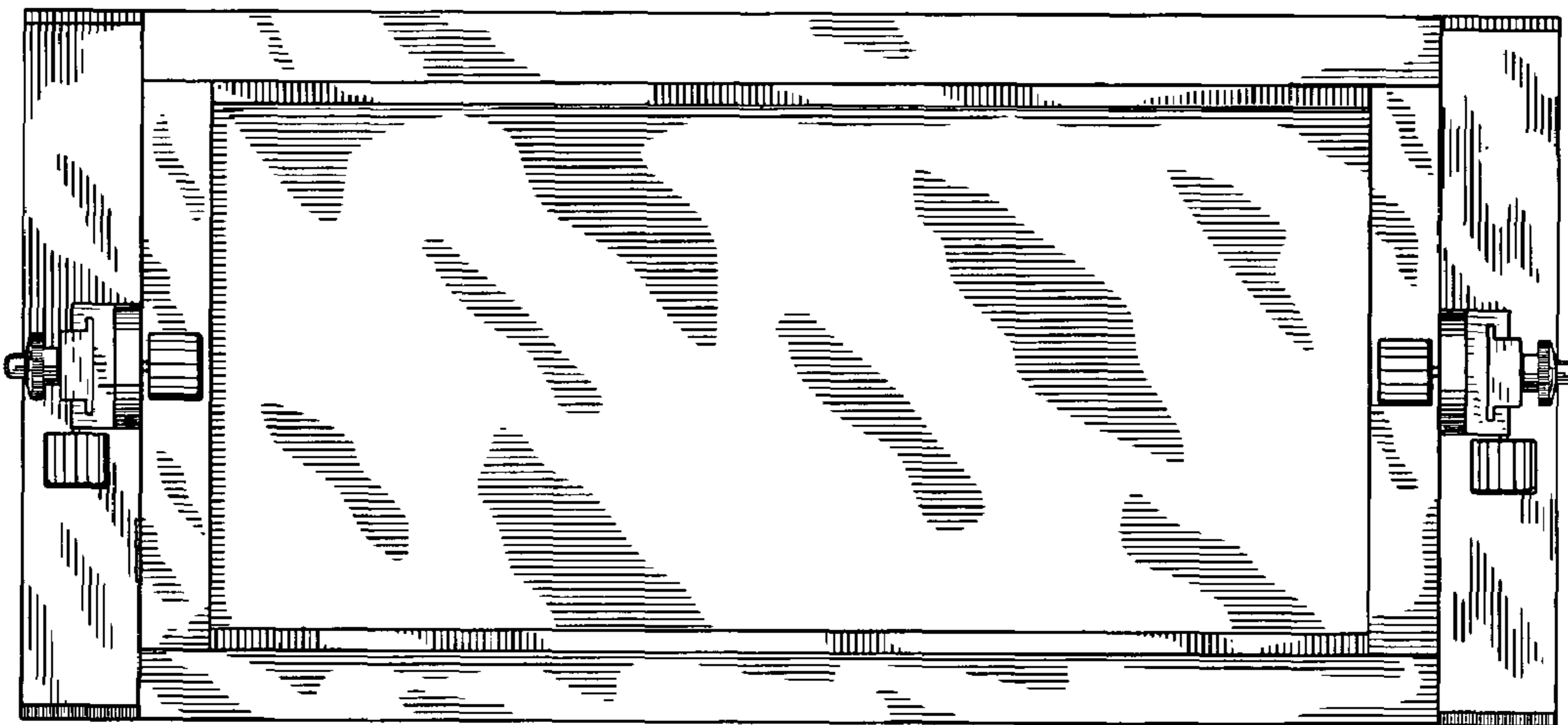


Fig. 4.

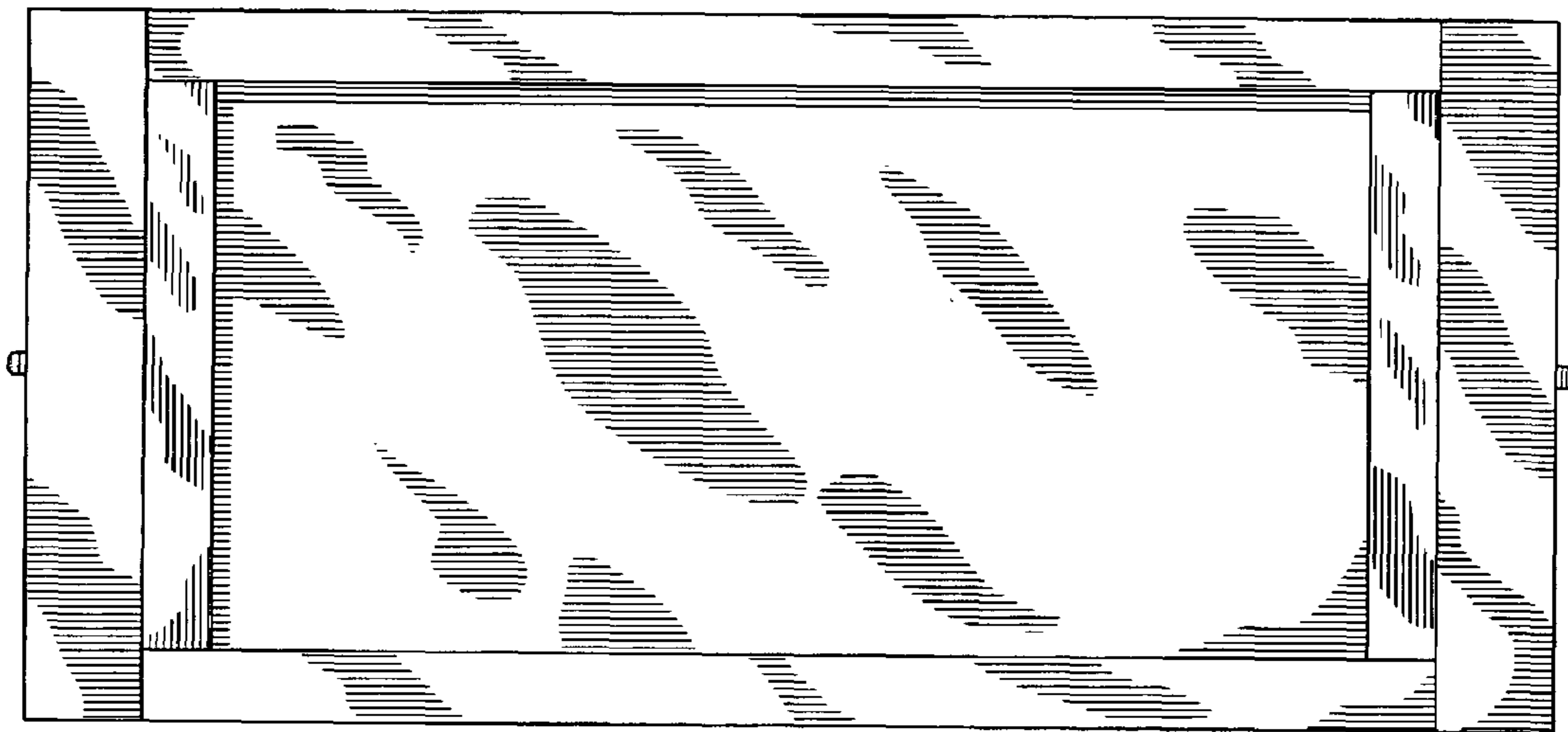


Fig. 5.

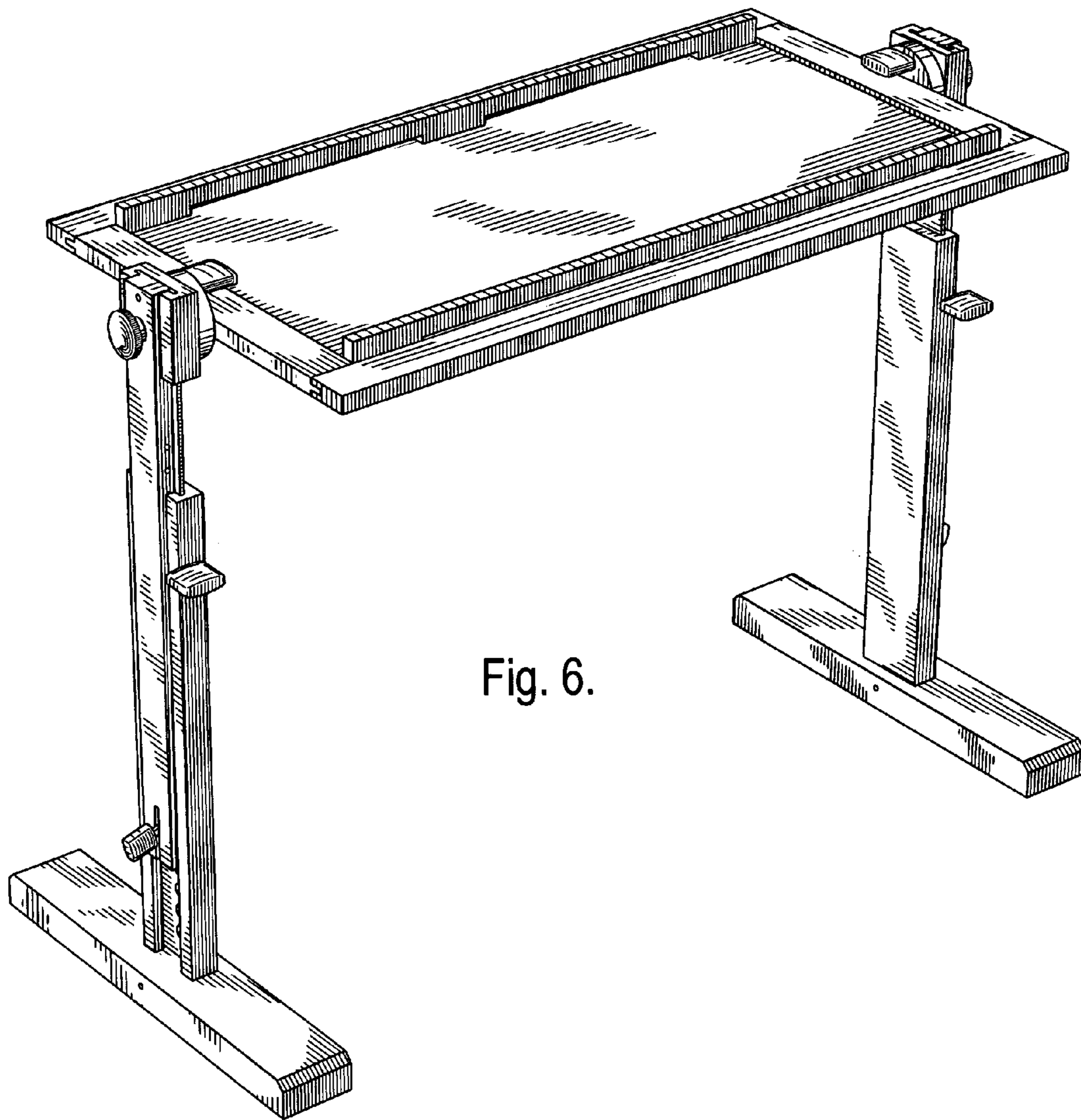


Fig. 6.

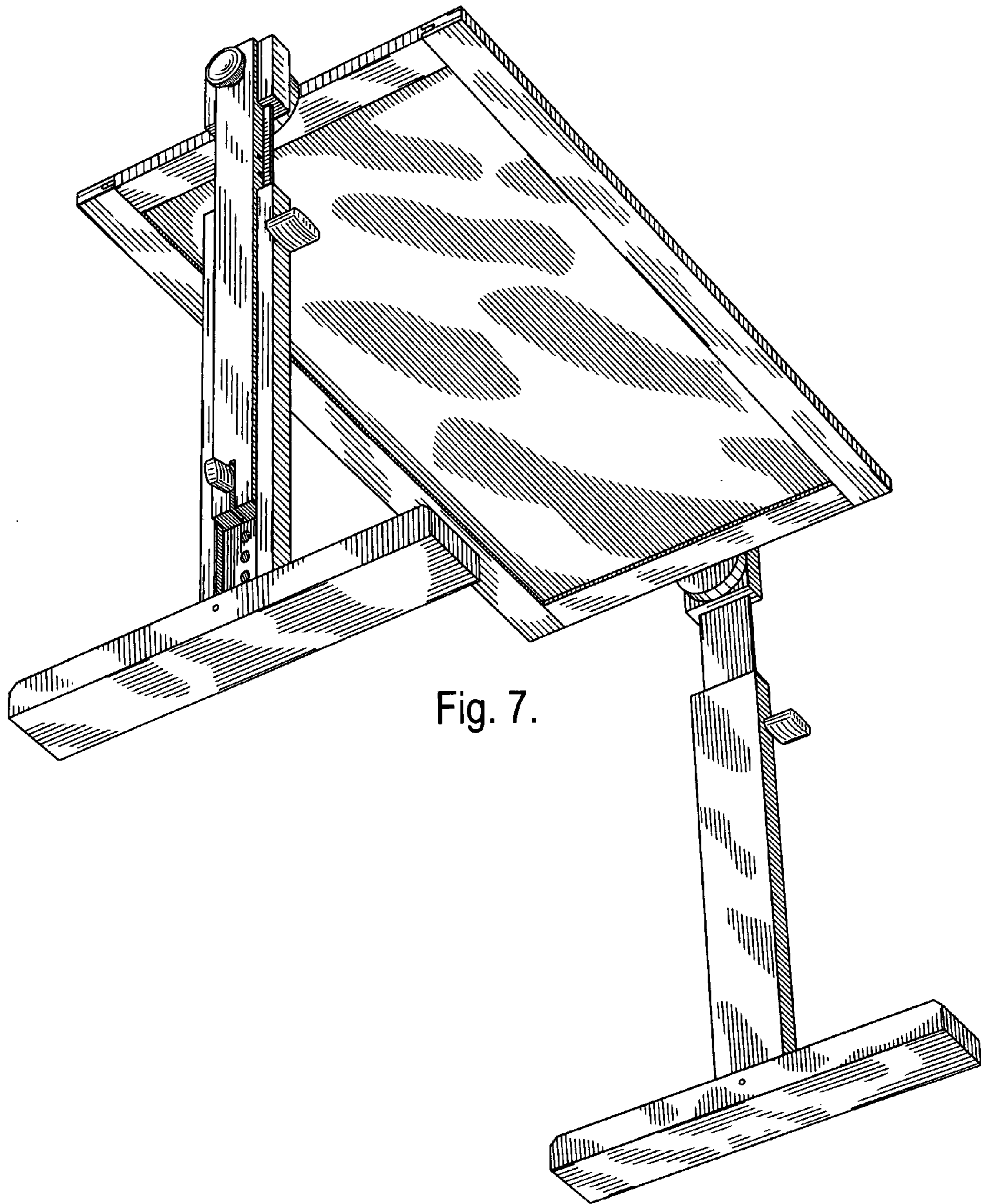


Fig. 7.