



US00D557520S

(12) **United States Design Patent**
Samtani

(10) **Patent No.:** **US D557,520 S**

(45) **Date of Patent:** **** Dec. 18, 2007**

(54) **MULTI-USE TRAY TABLE**

(76) Inventor: **Kishore Samtani**, Unit 2708, 27th
Floor, Greenfield Tower, Concordia
Plaza, No. 1 Science Museum Road,
Tsimshatsui, Kowloon (HK)

(**) Term: **14 Years**

(21) Appl. No.: **29/248,771**

(22) Filed: **Aug. 31, 2006**

(51) **LOC (8) Cl.** **06-04**

(52) **U.S. Cl.** **D6/477**

(58) **Field of Classification Search** D6/477-479,
D6/474, 407; 108/189, 64, 91-93, 107, 149,
108/151; D34/19-21, 17; 211/134, 186;
D12/130

See application file for complete search history.

(56) **References Cited**

U.S. PATENT DOCUMENTS

D174,193 S *	3/1955	Pinkus	D34/21
2,886,186 A *	5/1959	Hamilton	108/189
D186,980 S *	1/1960	Molitor	D34/17
D285,853 S *	9/1986	Hubert	D34/21
D286,625 S *	11/1986	Brennan	D12/130
D400,334 S *	10/1998	Hawkins	D34/21
D452,357 S *	12/2001	Stravitz et al.	D34/19
D476,510 S *	7/2003	Henry et al.	D6/479
D478,199 S *	8/2003	Presnell et al.	D34/20
D522,207 S *	5/2006	Gregory	D34/21

* cited by examiner

Primary Examiner—Cathron C. Brooks

Assistant Examiner—Kelley A. Donnelly

(74) *Attorney, Agent, or Firm*—Dreier LLP

(57) **CLAIM**

The ornamental design for a multi-use tray table, as shown and described.

DESCRIPTION

FIG. 1. is a perspective view of a multi-use tray table shown in a first position of use.

FIG. 2 is a front elevational view thereof.

FIG. 3 is a right side elevational view thereof.

FIG. 4 is a rear elevational view thereof.

FIG. 5 is a top elevational view thereof.

FIG. 6. is a perspective view of the multi-use tray table of FIG. 1, but shown in a second position of use.

FIG. 7 is a front elevational view thereof.

FIG. 8 is a right side elevational view thereof.

FIG. 9 is a rear elevational view thereof.

FIG. 10 is a top elevational view thereof.

FIG. 11 is a perspective view of the multi-use tray table of FIG. 1, but shown in a third position of use.

FIG. 12 is a front elevational view thereof.

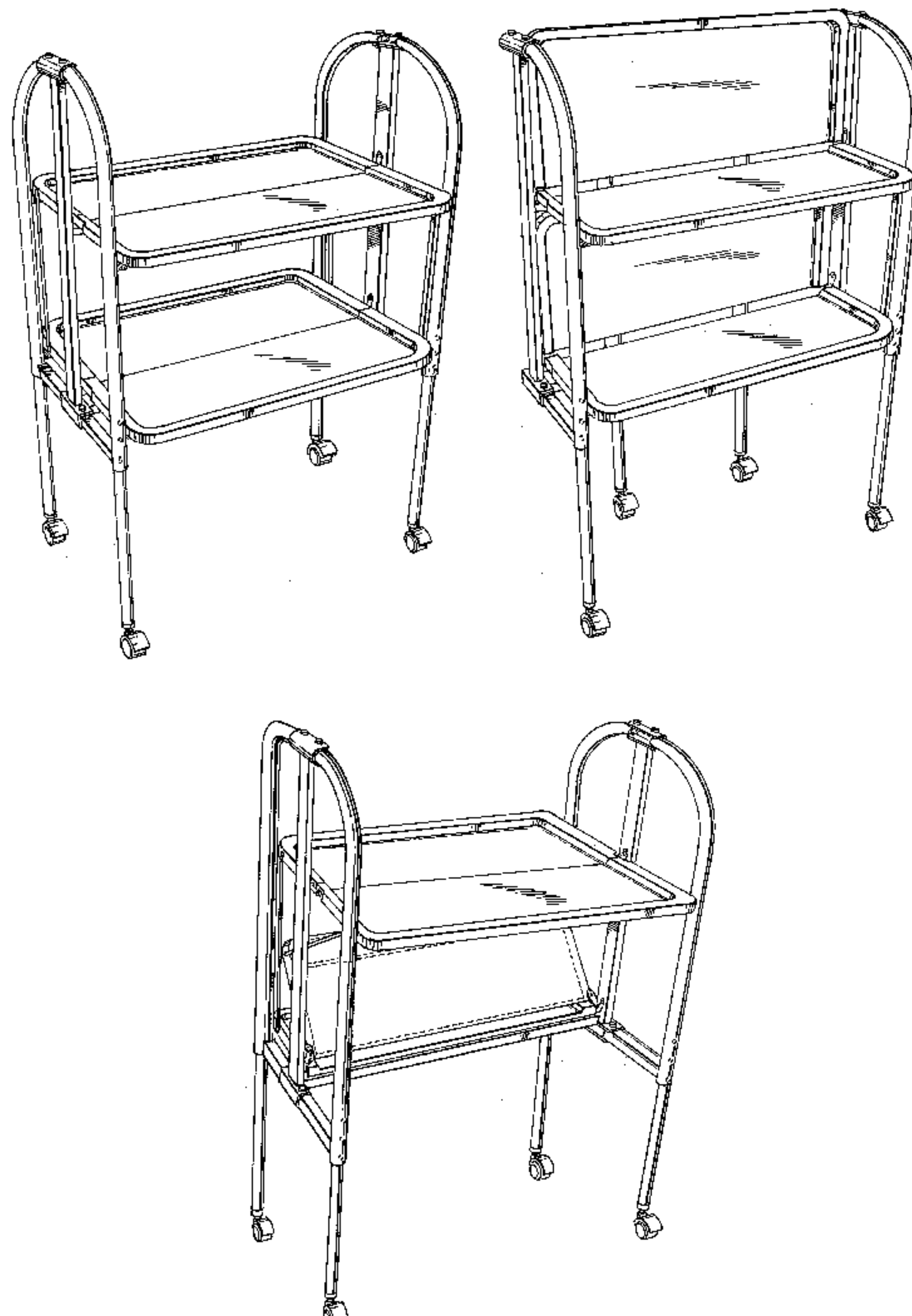
FIG. 13 is a right side elevational view thereof.

FIG. 14 is a rear elevational view thereof; and,

FIG. 15 is a top elevational view thereof.

The broken lines in FIGS. 9, 11, and 12 are for illustrative purposes only and form no part of the claimed design.

1 Claim, 15 Drawing Sheets



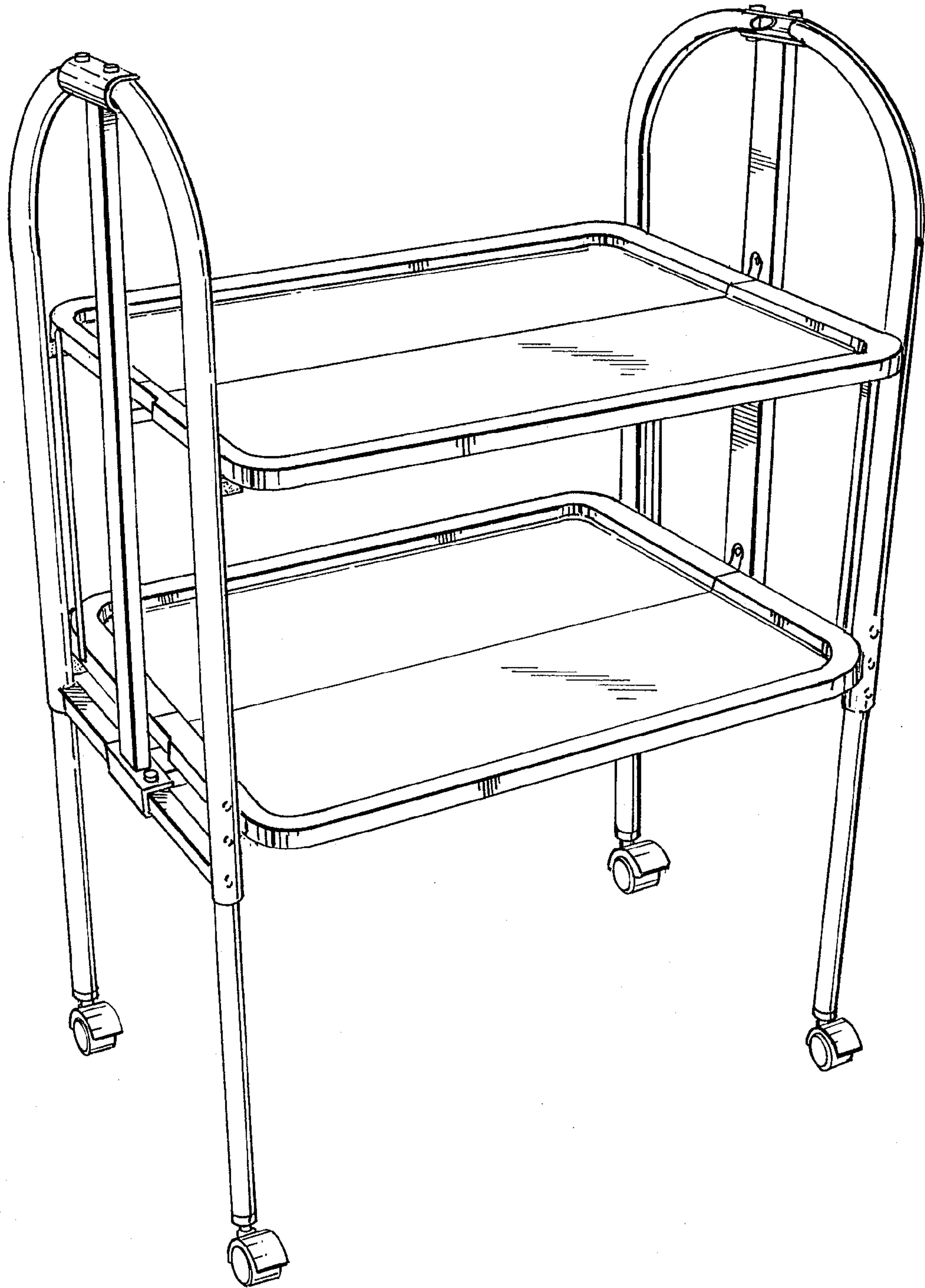


Fig. 1

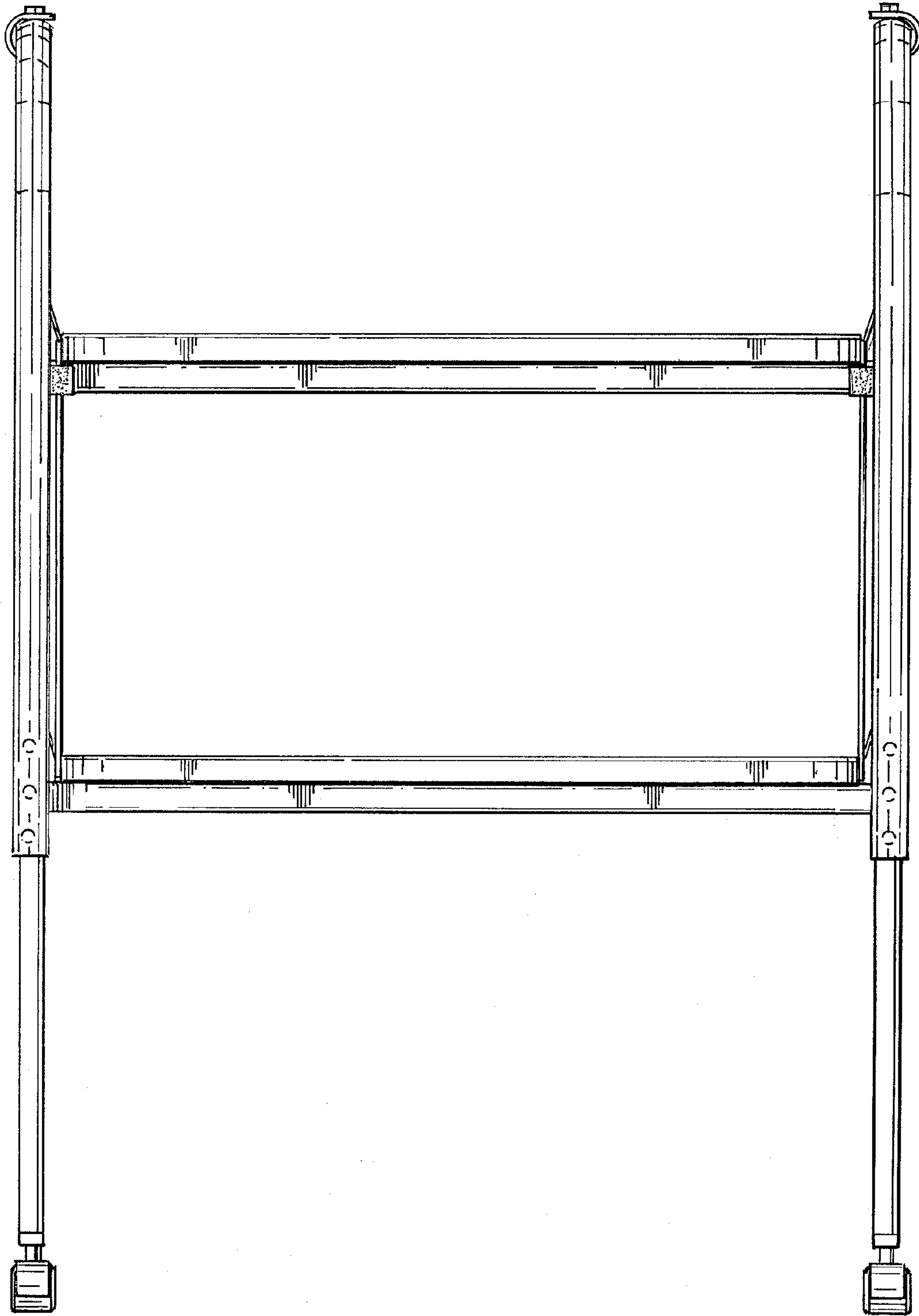


Fig. 2

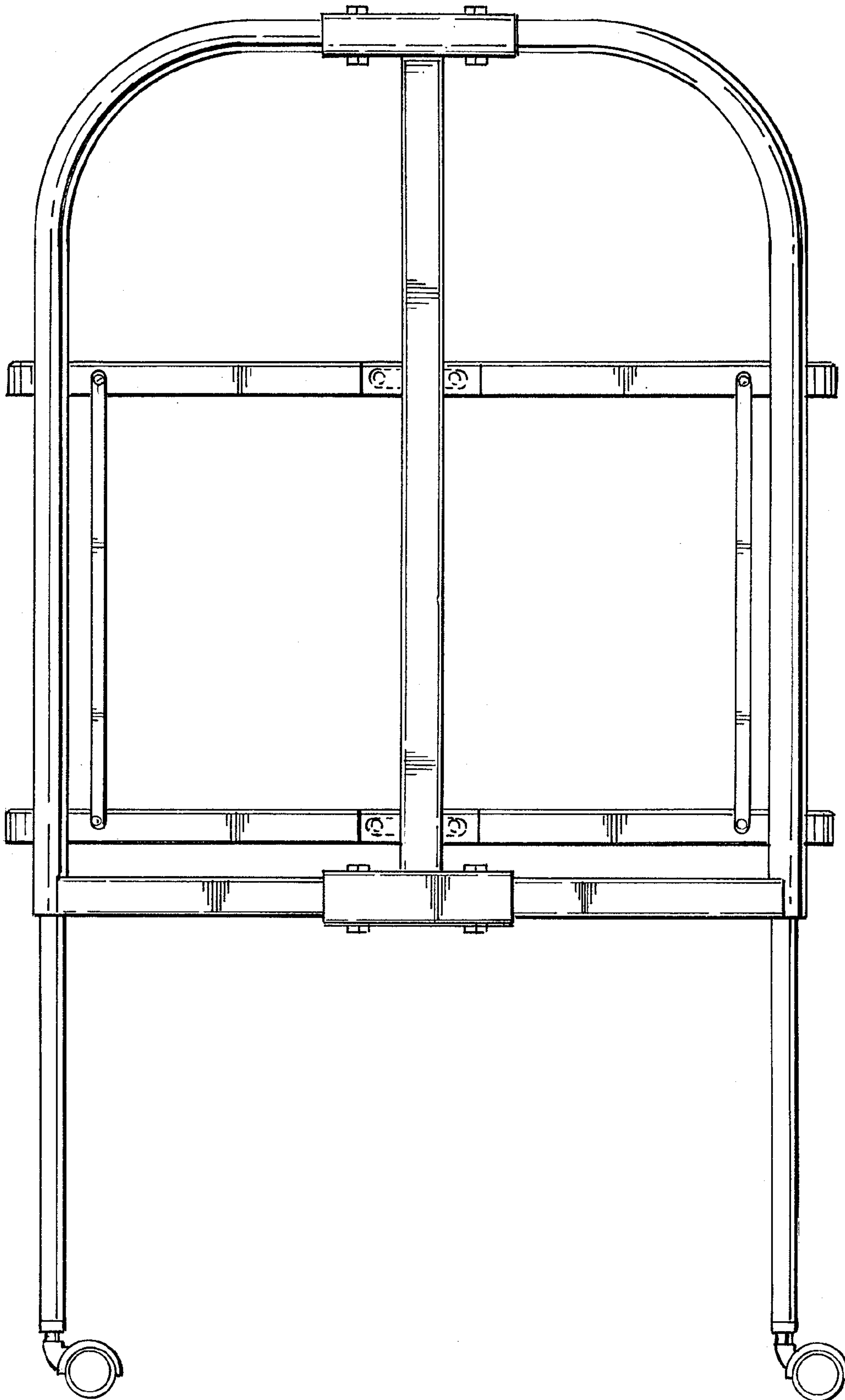


Fig. 3

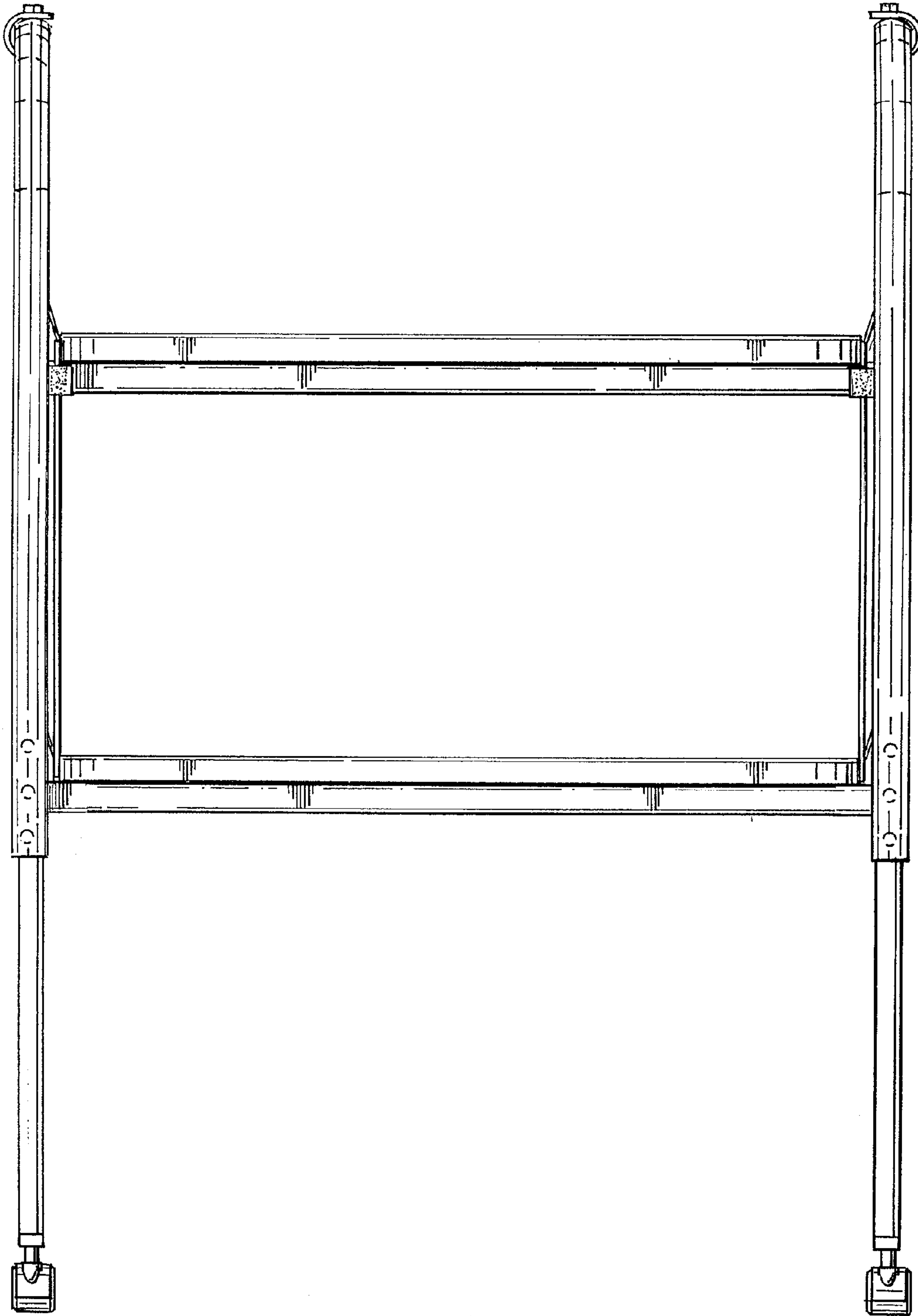


Fig. 4

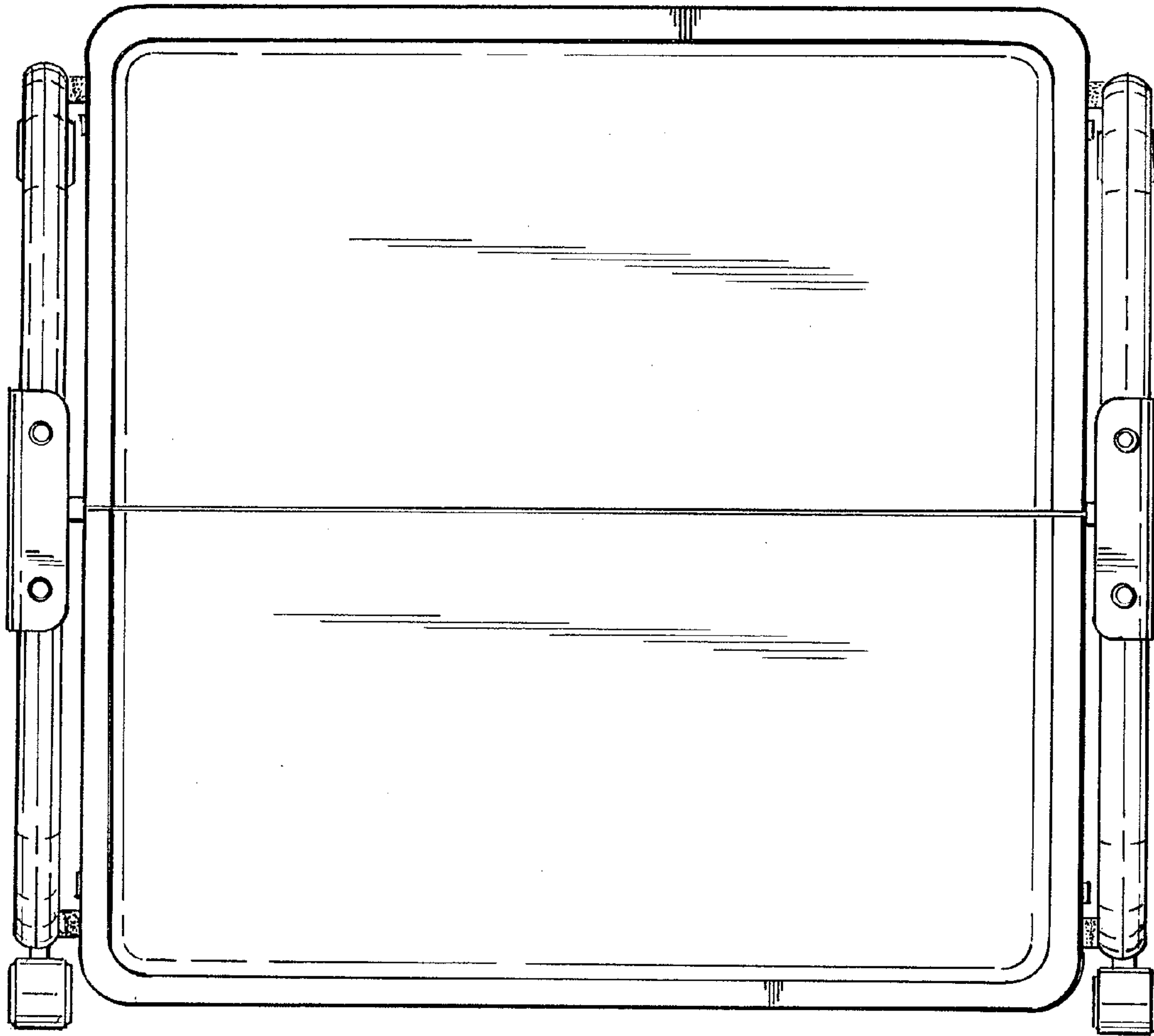


Fig. 5

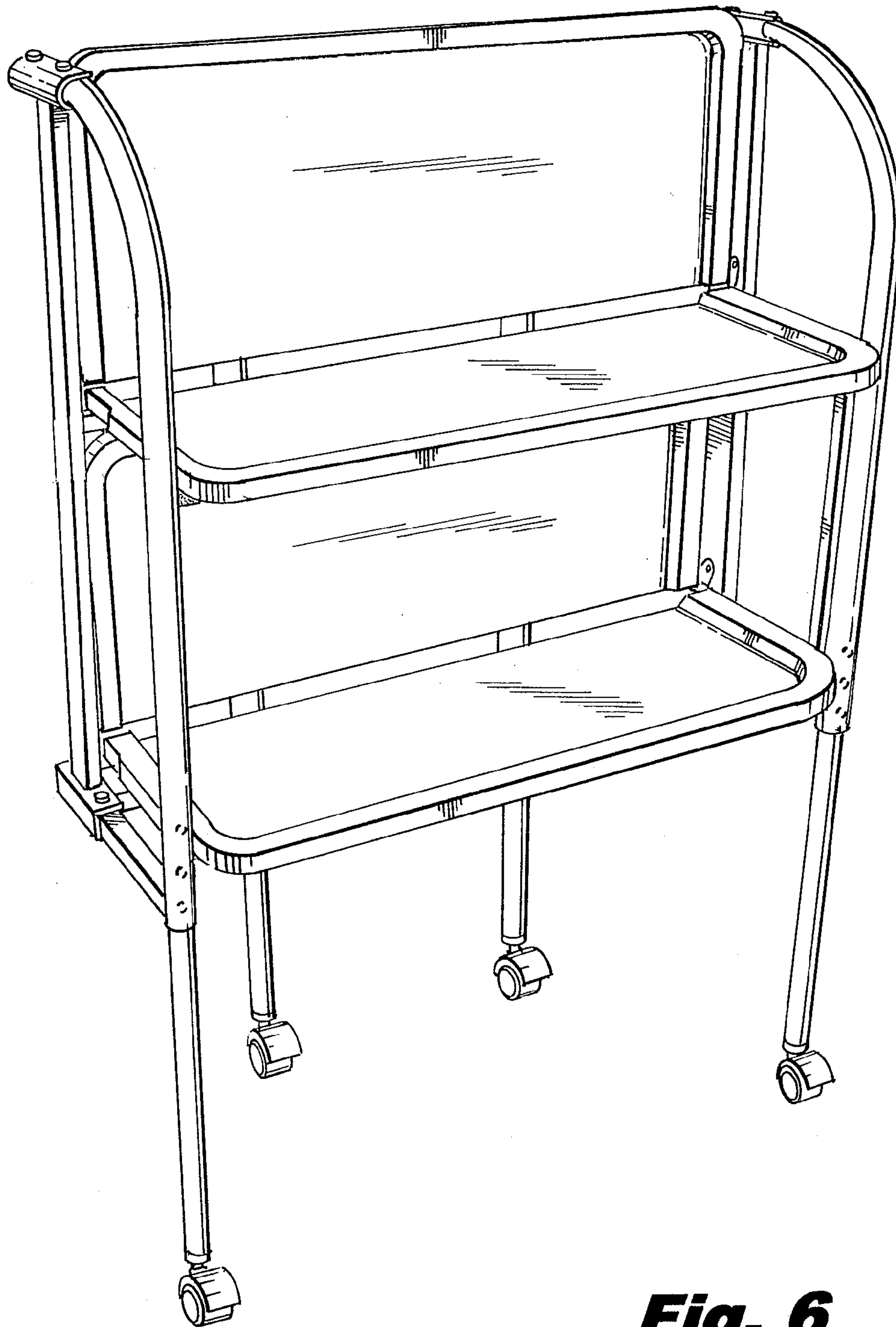


Fig. 6

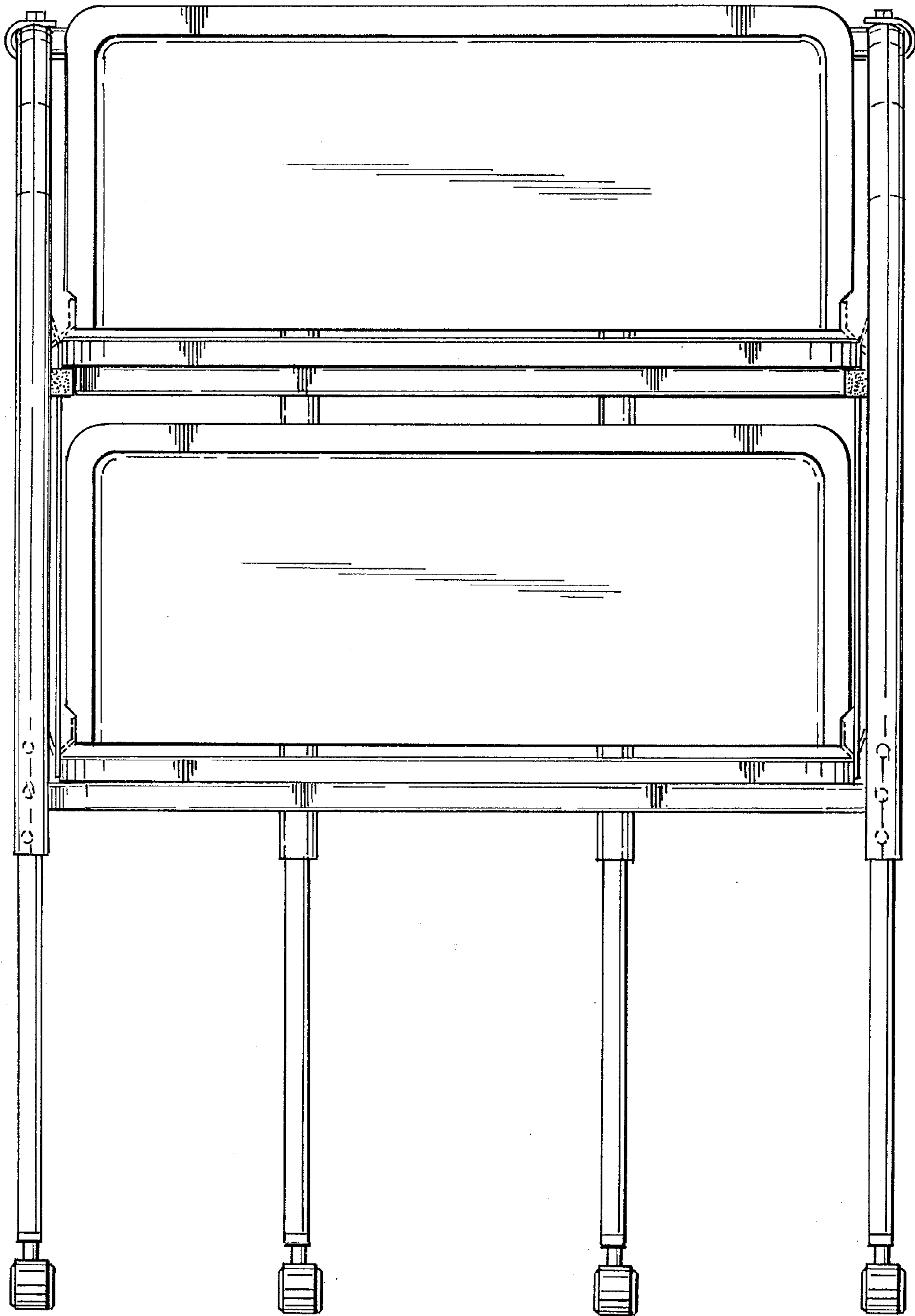


Fig. 7

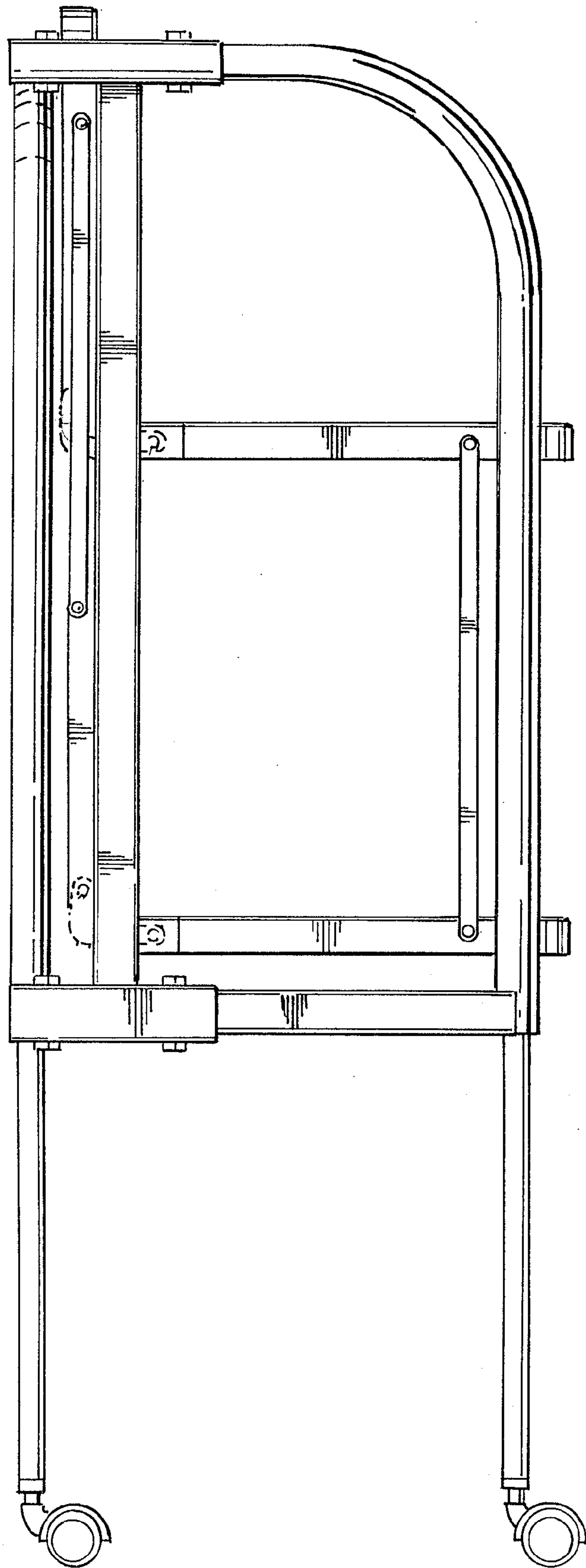


Fig. 8

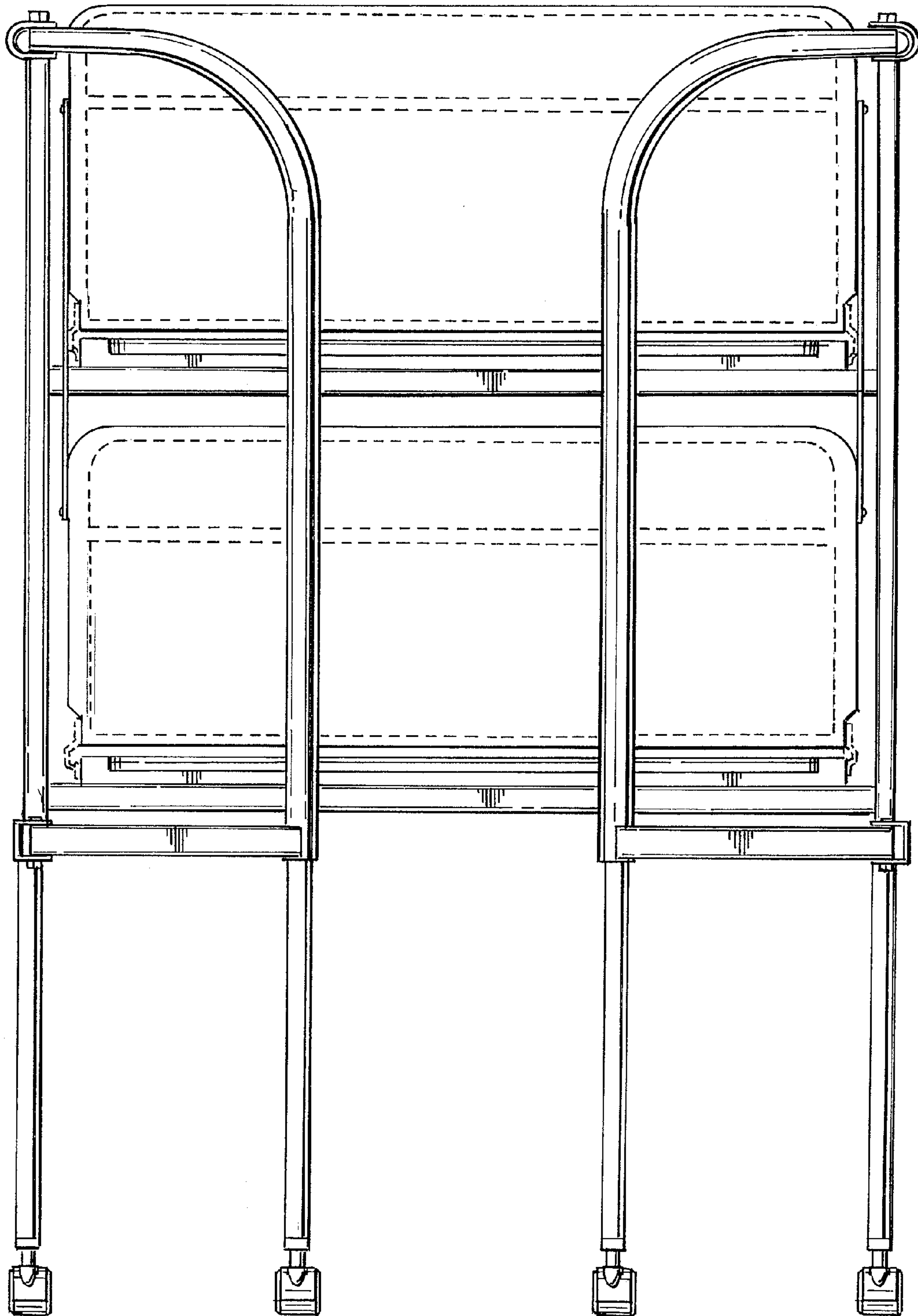


Fig. 9

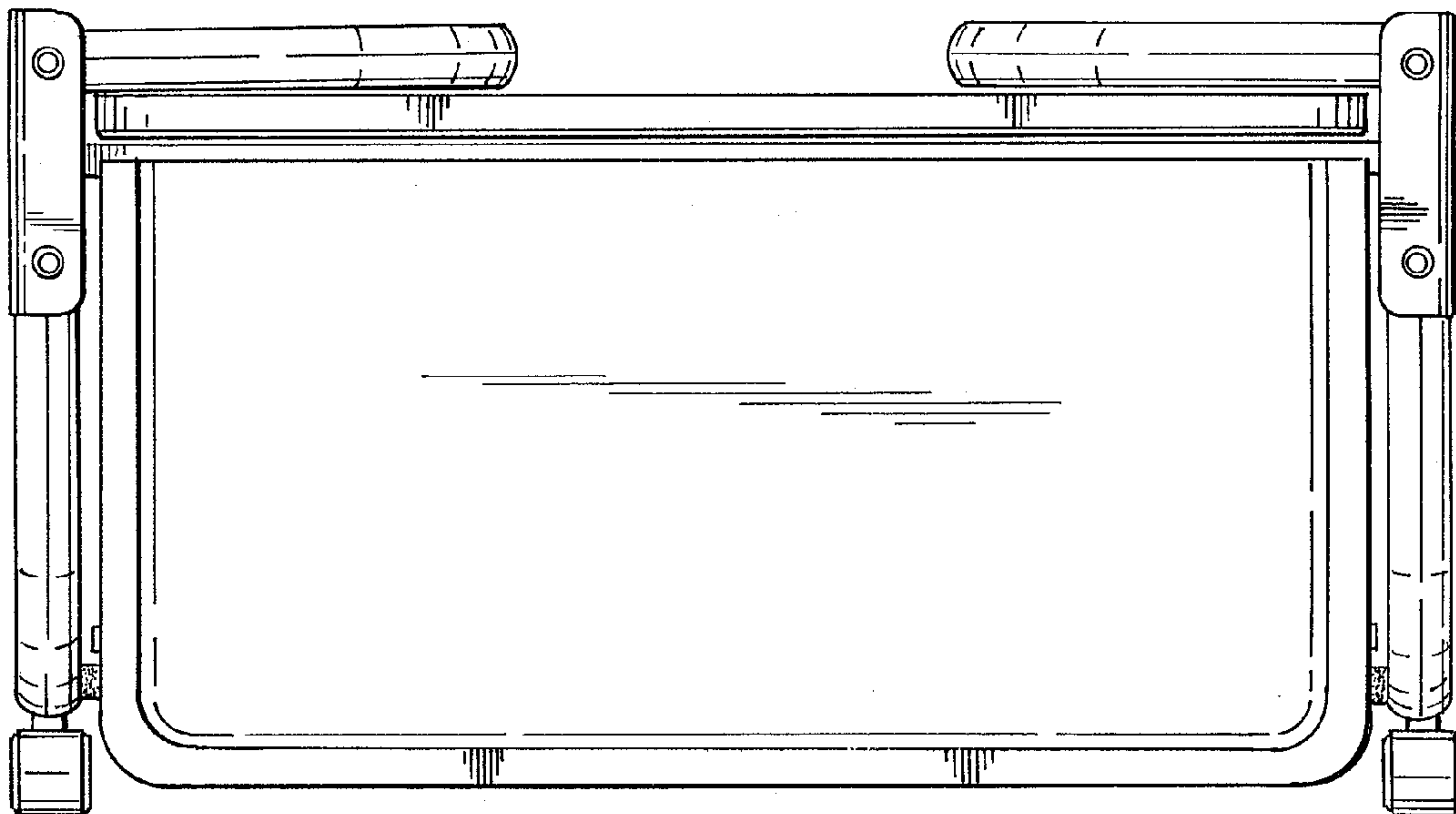


Fig. 10

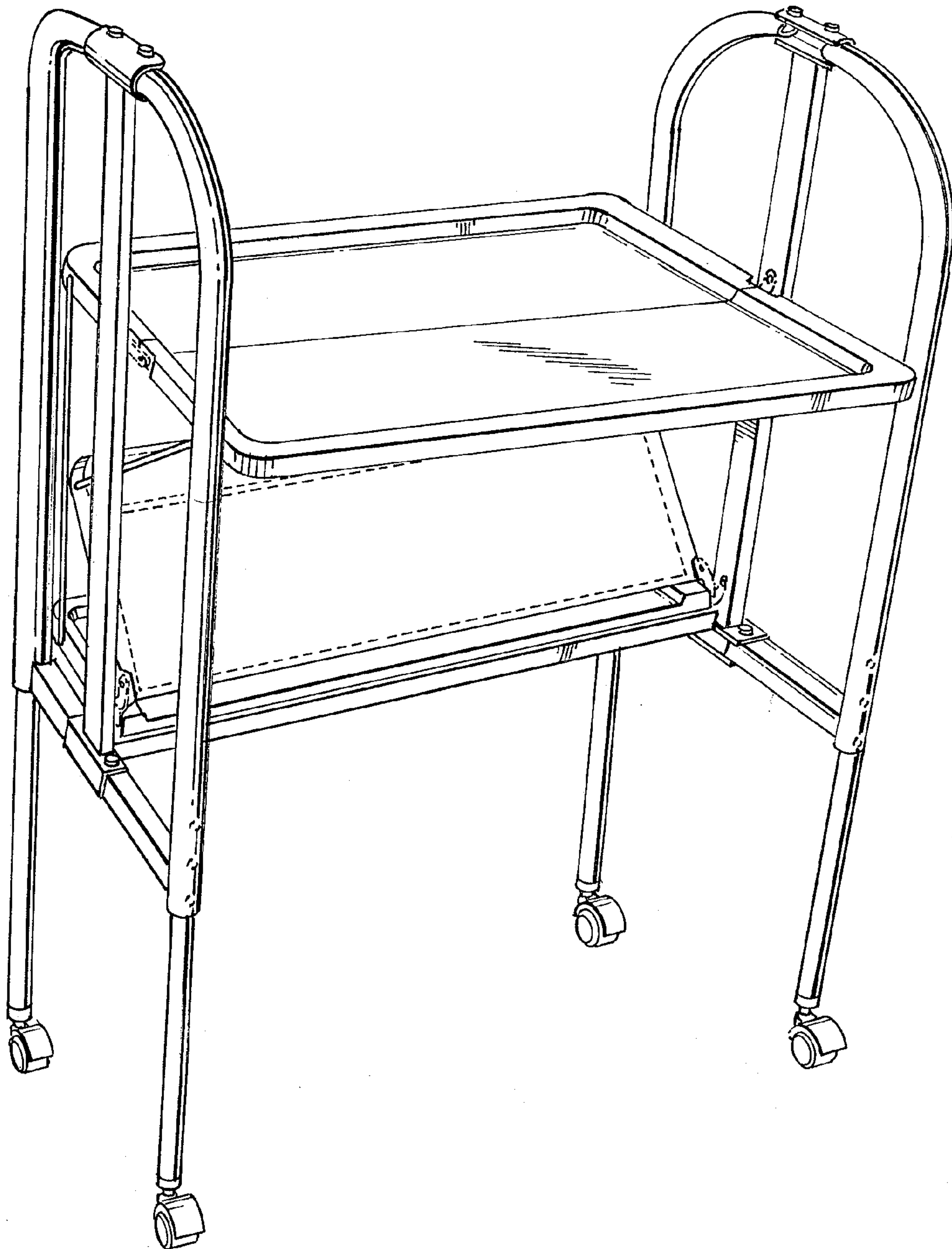


Fig. 11

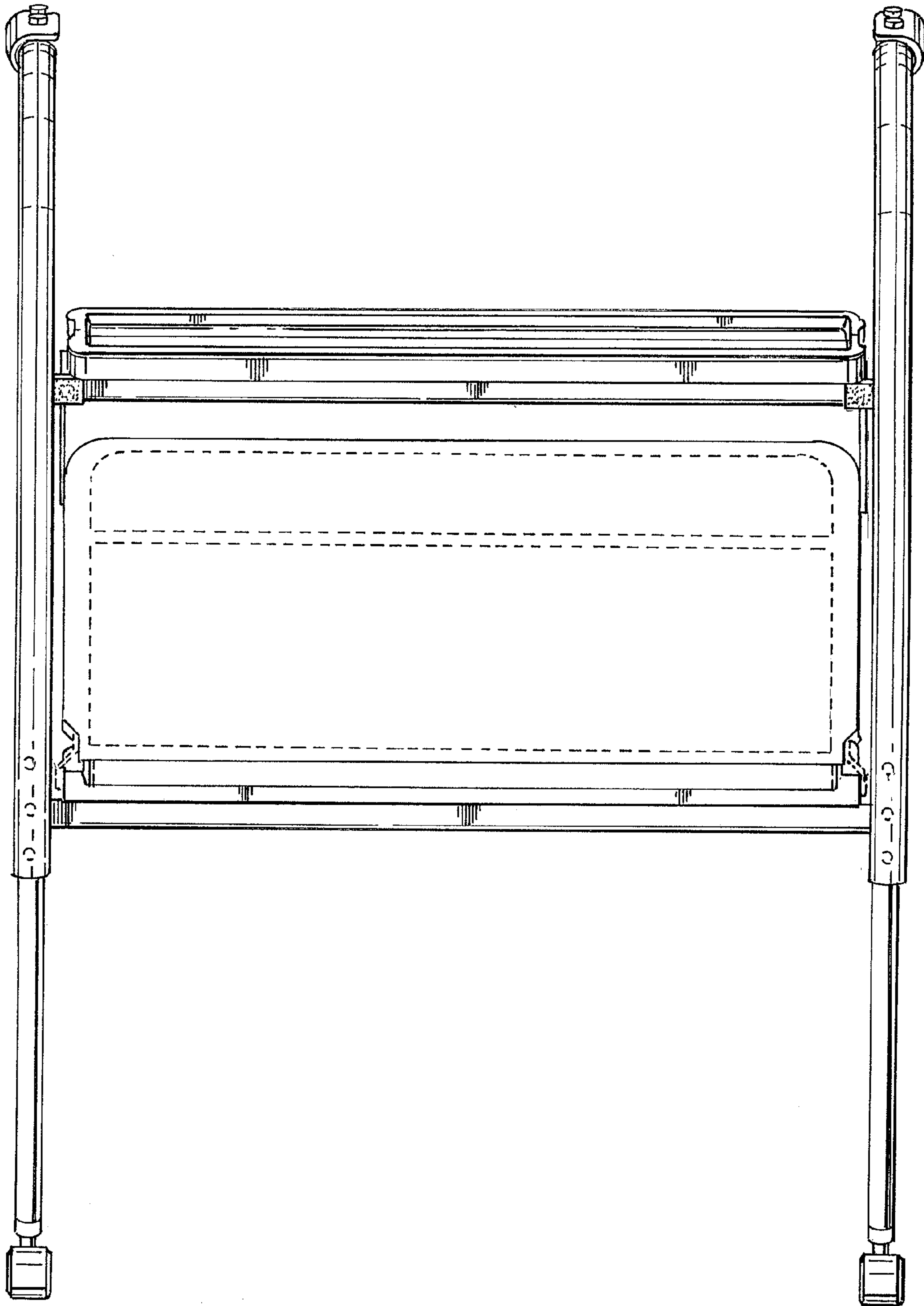


Fig. 12

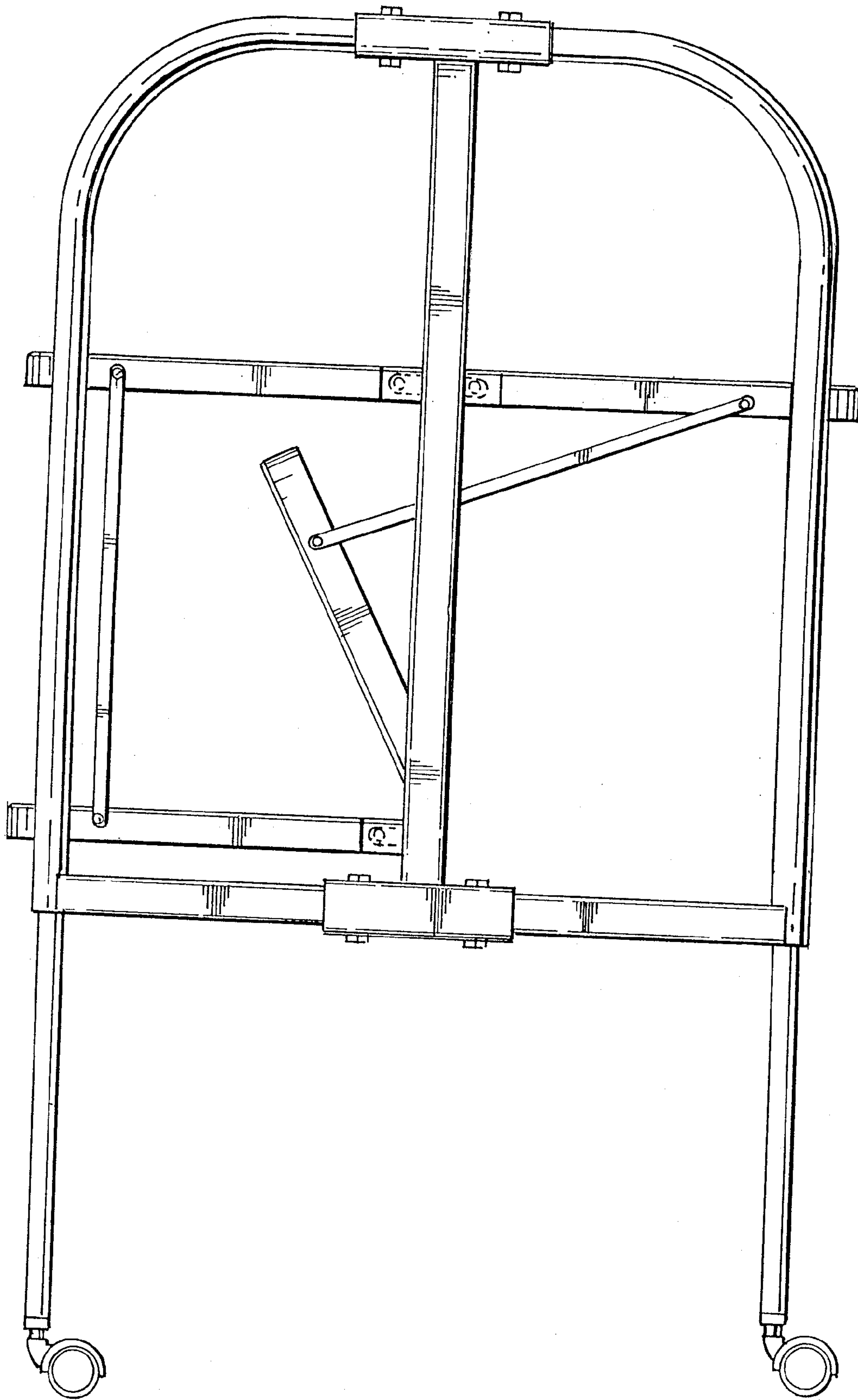


Fig. 13

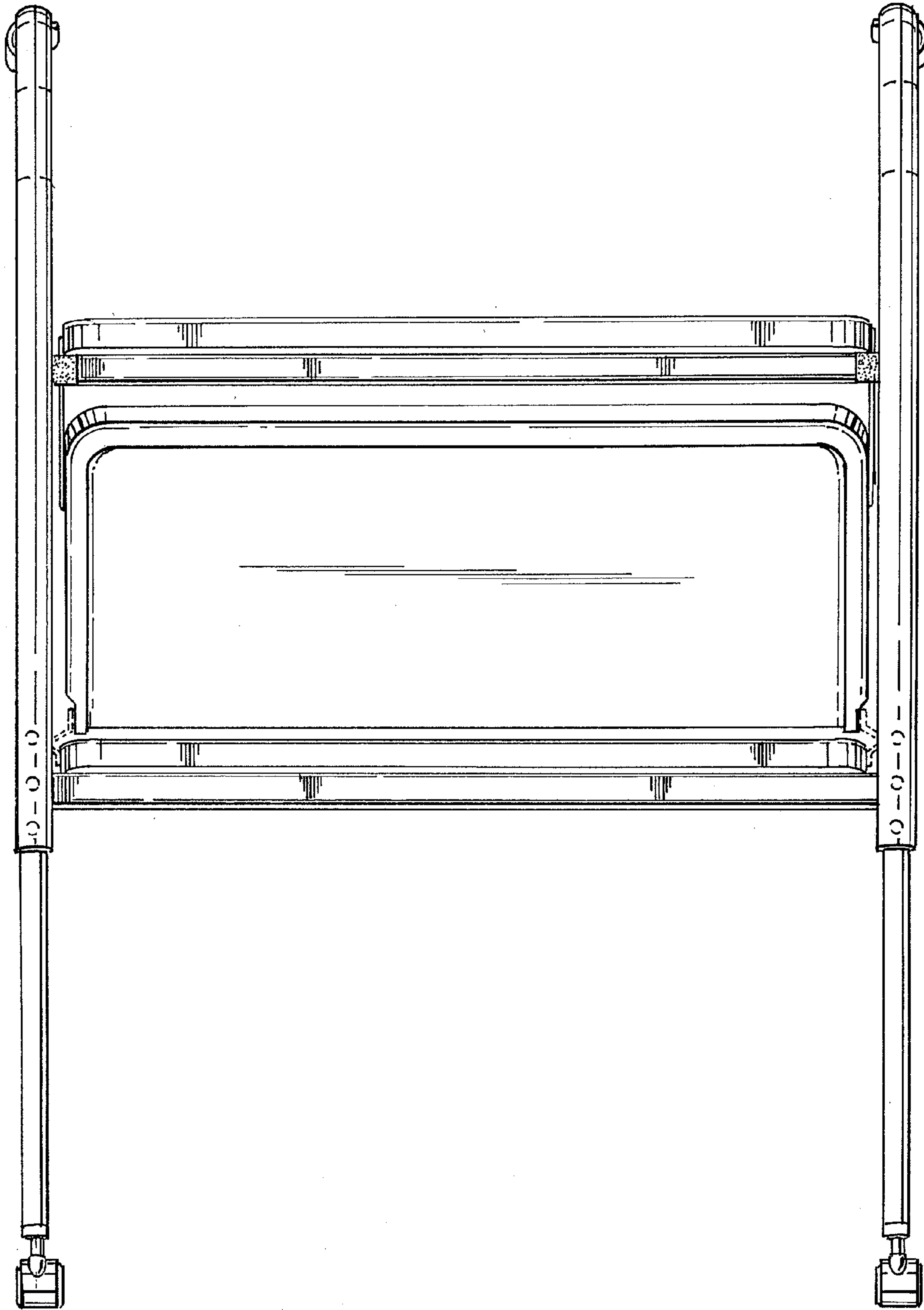


Fig. 14

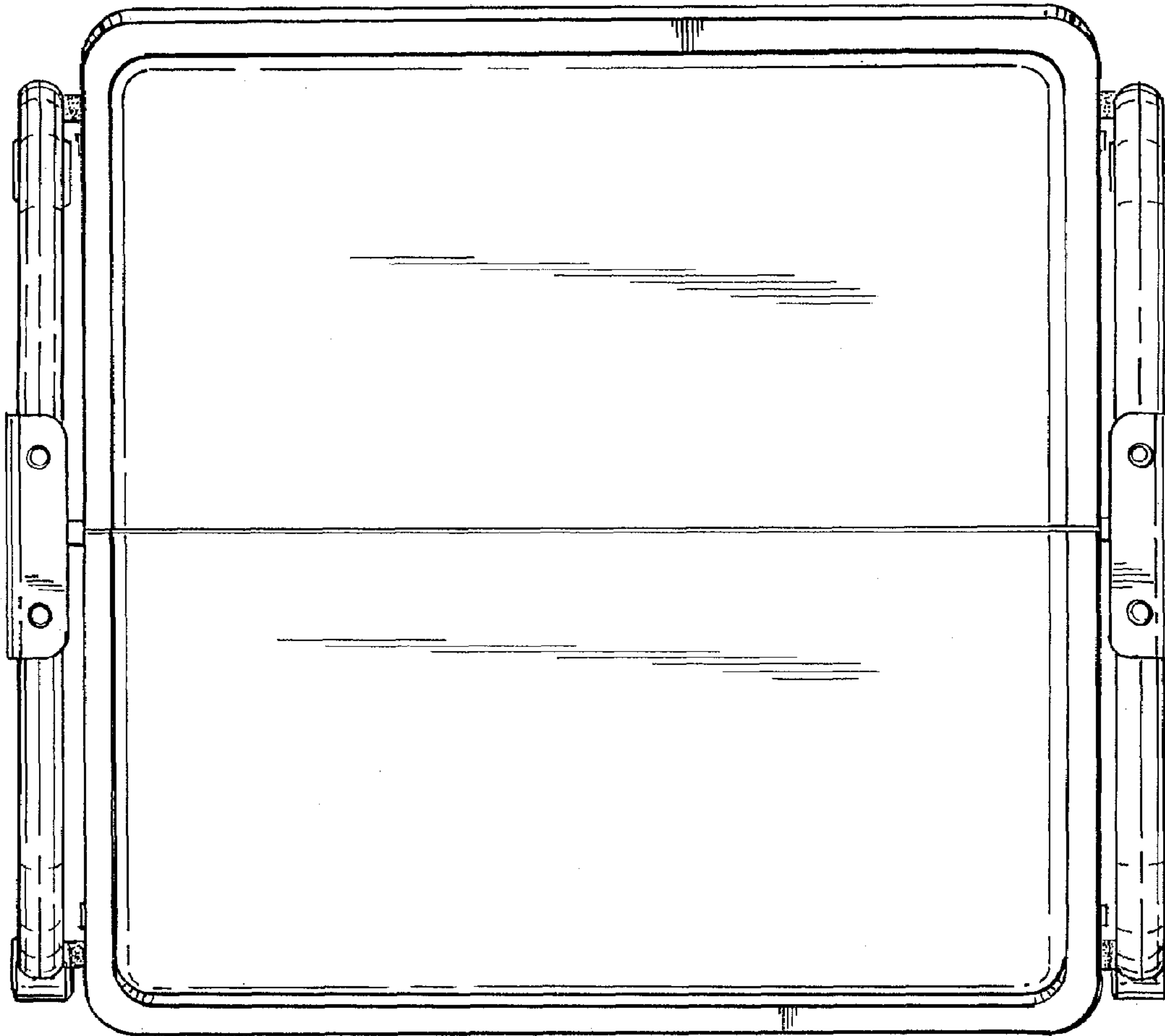


Fig. 15