



US00D557519S

(12) **United States Design Patent**
Strawbridge

(10) **Patent No.:** **US D557,519 S**

(45) **Date of Patent:** **** Dec. 18, 2007**

(54) **CEILING-HUNG REVOLVING OBJECT
DISPLAY CASE**

(75) Inventor: **Jon P. Strawbridge**, Glendale, WI (US)

(73) Assignee: **Everbrite, L.L.C.**, Greenfield, WI (US)

(**) Term: **14 Years**

(21) Appl. No.: **29/255,957**

(22) Filed: **Mar. 14, 2006**

(51) **LOC (8) Cl.** **06-04**

(52) **U.S. Cl.** **D6/470**

(58) **Field of Classification Search** D6/449,
D6/455, 457, 466, 470-472, 475; 40/431,
40/473; 312/114, 125, 135, 204, 234; 362/125,
362/811

See application file for complete search history.

(56) **References Cited**

U.S. PATENT DOCUMENTS

- 1,261,812 A 4/1918 Higgins
- D59,181 S * 10/1921 Buchenau D6/471
- 1,421,008 A 6/1922 Inman
- 1,525,330 A 2/1925 Smith
- 1,912,899 A 6/1933 Johanneses
- 2,075,918 A 4/1937 Waalkes
- 2,418,062 A * 3/1947 Abrahamson 312/125

- 3,738,035 A 6/1973 Bricker
- 3,861,766 A 1/1975 Corsini
- 3,880,484 A * 4/1975 Sicina 312/125
- D244,981 S * 7/1977 Austin D6/458
- D255,546 S * 6/1980 Zaidmann et al. D6/470
- 4,545,630 A * 10/1985 Izumi et al. 312/135
- 5,125,726 A 6/1992 Hahn
- 5,179,796 A * 1/1993 Gephart, Jr. 40/473
- 5,865,516 A * 2/1999 Woy 312/125
- 6,298,588 B1 * 10/2001 Remitz et al. 40/431
- D464,216 S * 10/2002 Rone D6/472

* cited by examiner

Primary Examiner—Mimosa De

(74) *Attorney, Agent, or Firm*—Patents Penned, Inc.;
Richard S. Missimer

(57) **CLAIM**

I claim, the ornamental design for a ceiling-hung revolving object display case, as shown and described.

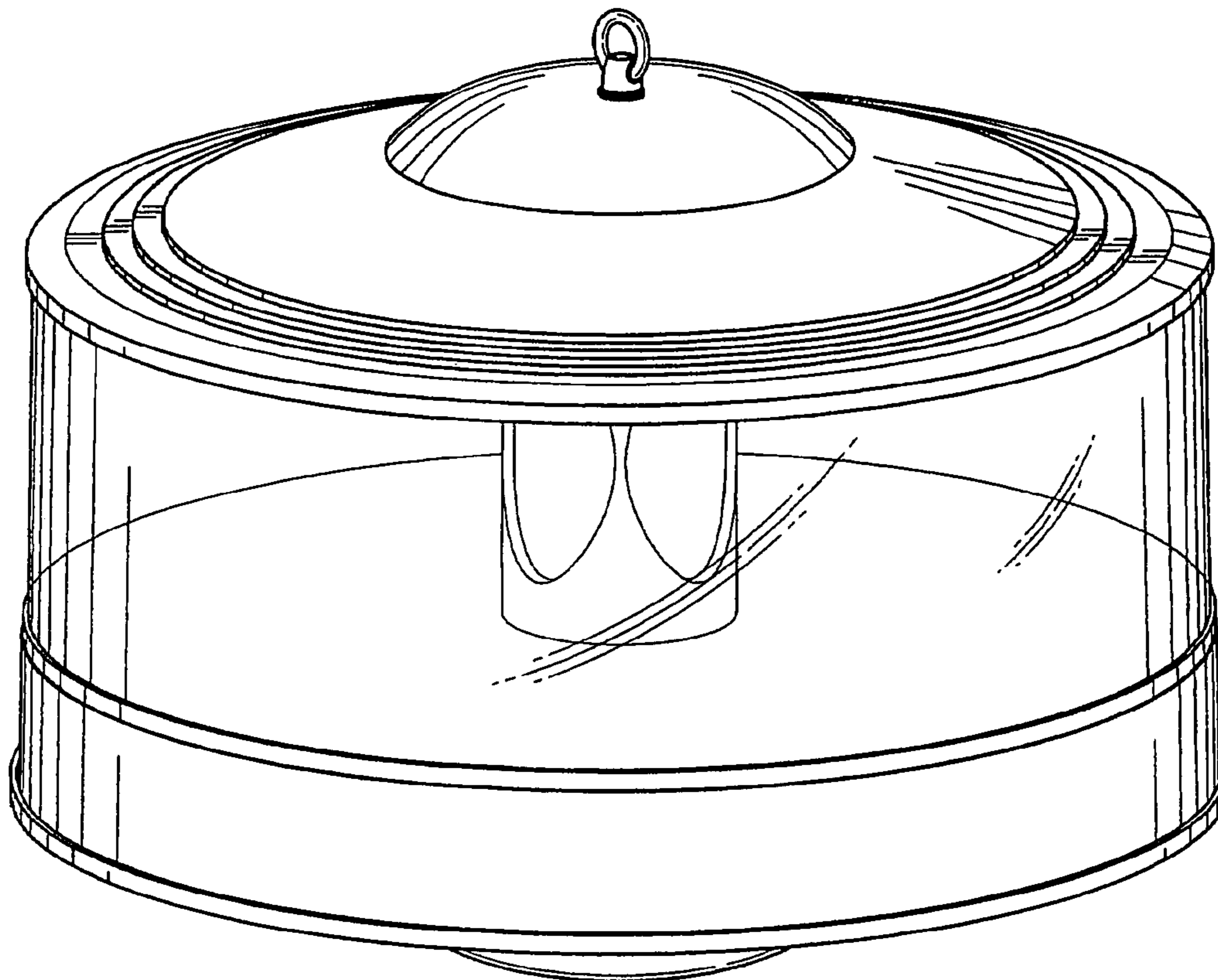
DESCRIPTION

FIG. 1 is a perspective view of a ceiling-hung revolving object display case showing my new design;

FIG. 2 is a side elevational view thereof; and,

FIG. 3 is a front elevational view thereof.

1 Claim, 3 Drawing Sheets



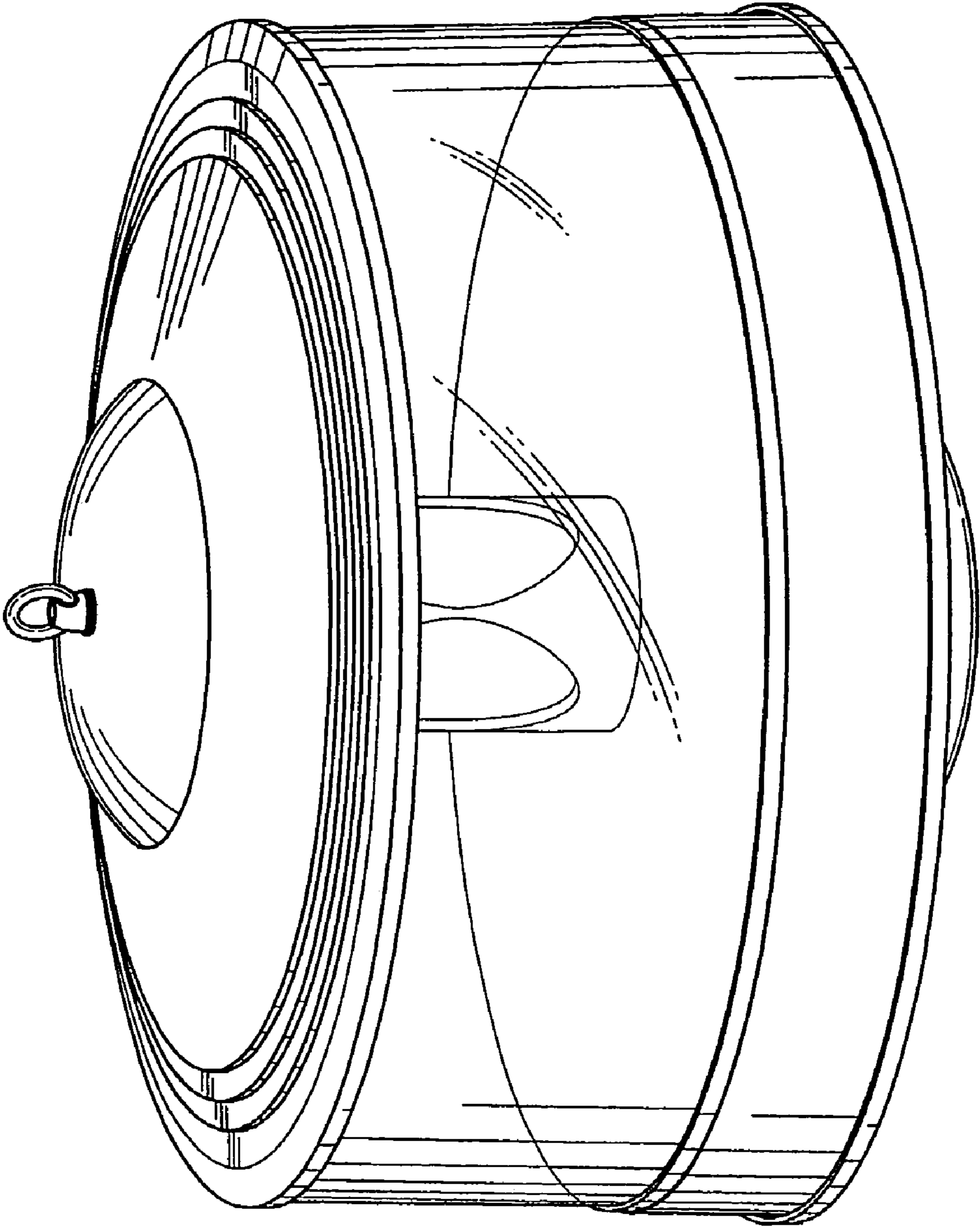


FIG. 1

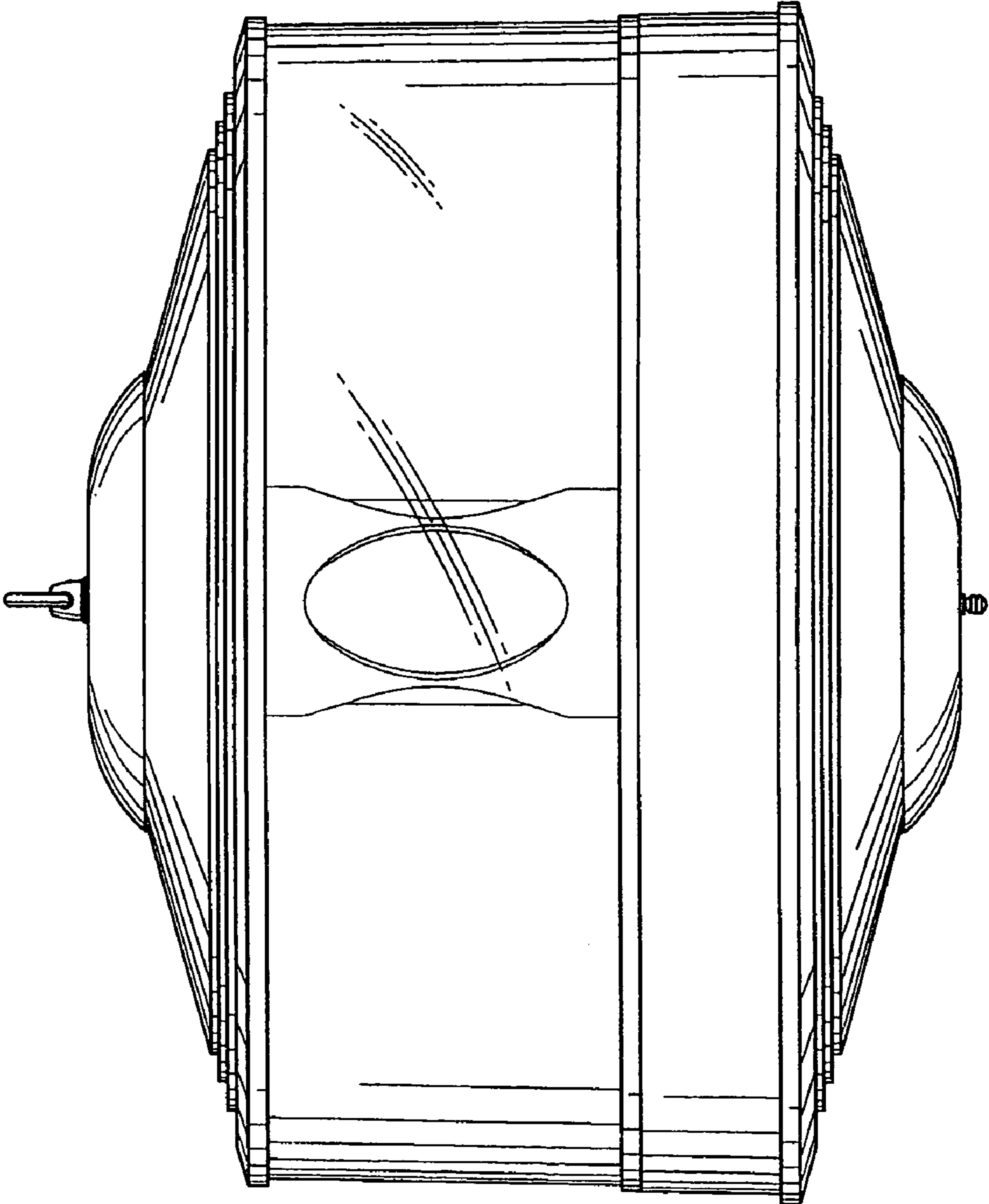


FIG. 2

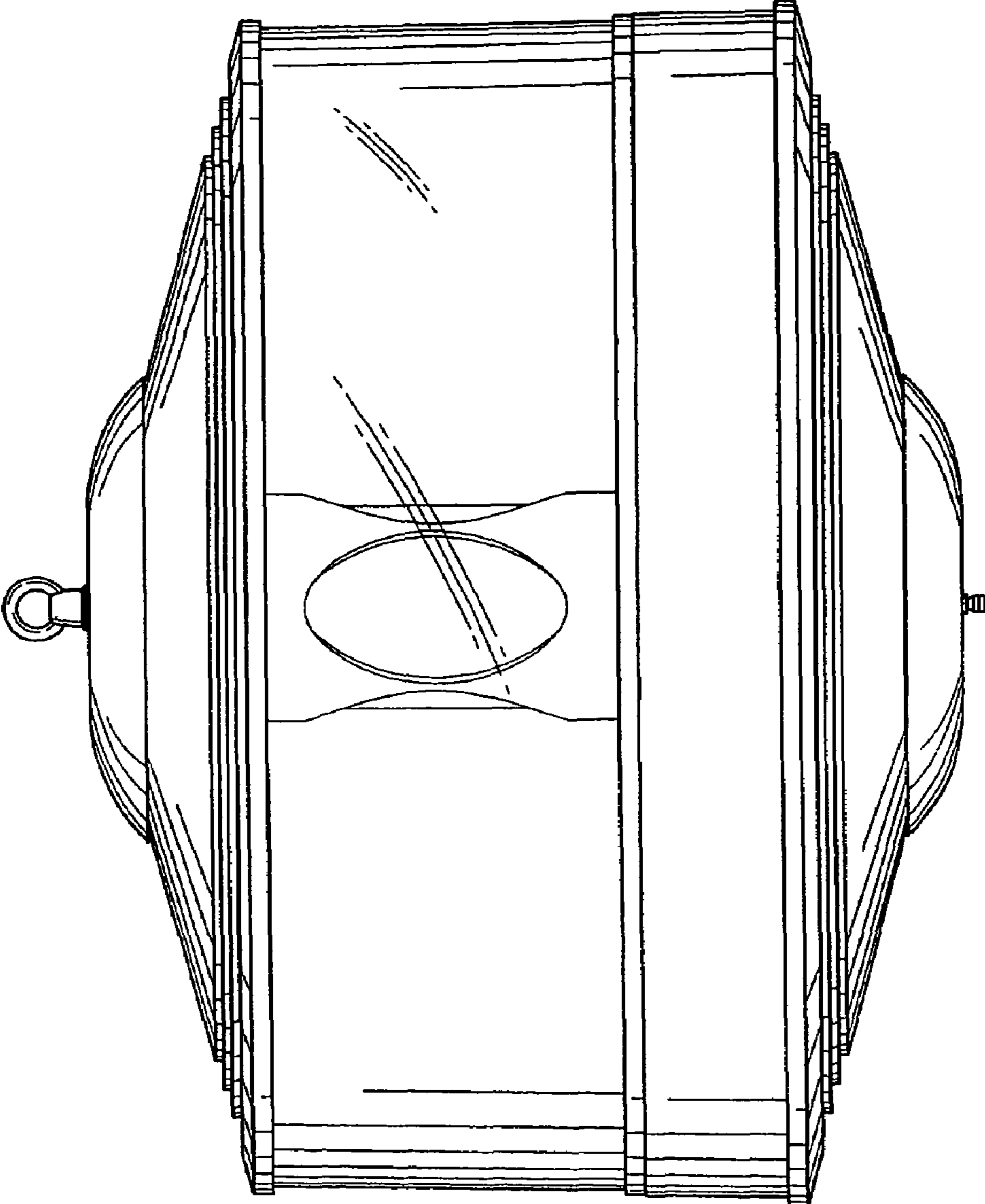


FIG. 3