



US00D557516S

(12) **United States Design Patent**
Genord et al.

(10) **Patent No.:** **US D557,516 S**

(45) **Date of Patent:** **** Dec. 18, 2007**

(54) **TUB SEAT**

(75) Inventors: **Daniel Genord**, South Lyon, MI (US);
Evan Carpenter-Crawford,
Farmington Hills, MI (US); **Jeffrey**
DeBoer, Ann Arbor, MI (US)

(73) Assignee: **Liberty Hardware Mfg. Corp.**,
Winston-Salem, NC (US)

(**) Term: **14 Years**

(21) Appl. No.: **29/271,113**

(22) Filed: **Jan. 10, 2007**

(51) **LOC (8) Cl.** **06-01**

(52) **U.S. Cl.** **D6/377; D6/355**

(58) **Field of Classification Search** D6/333-336,
D6/349, 355, 367, 368, 374, 375, 377, 380,
D6/500-502; D23/303, 304; 4/560.1, 571.1,
4/578.1, 579; 297/423.4, 440.16, 440.26
See application file for complete search history.

(56) **References Cited**

U.S. PATENT DOCUMENTS

4,472,844	A *	9/1984	Mace	4/579
D375,638	S *	11/1996	Dhanapal et al.	D6/377
D411,054	S *	6/1999	Williams	D6/335
5,940,905	A *	8/1999	Cheng	4/578.1
6,105,183	A *	8/2000	Bly	4/579

6,122,776	A *	9/2000	Cheng	4/578.1
D439,429	S *	3/2001	Higgs et al.	D6/368
D478,749	S *	8/2003	Gilbert et al.	D6/500
D478,750	S *	8/2003	Gilbert et al.	D6/500
D478,751	S *	8/2003	Gilbert et al.	D6/502
D479,051	S *	9/2003	Darst et al.	D6/335
D479,067	S *	9/2003	Gilbert et al.	D6/502
D519,291	S *	4/2006	Higgs et al.	D6/367

* cited by examiner

Primary Examiner—Mimosa De

(74) *Attorney, Agent, or Firm*—Edgar A. Zarins; Lloyd D. Doigan

(57) **CLAIM**

The ornamental design for a tub seat, as shown and described.

DESCRIPTION

FIG. 1 is a perspective view of a tub seat showing our new design;

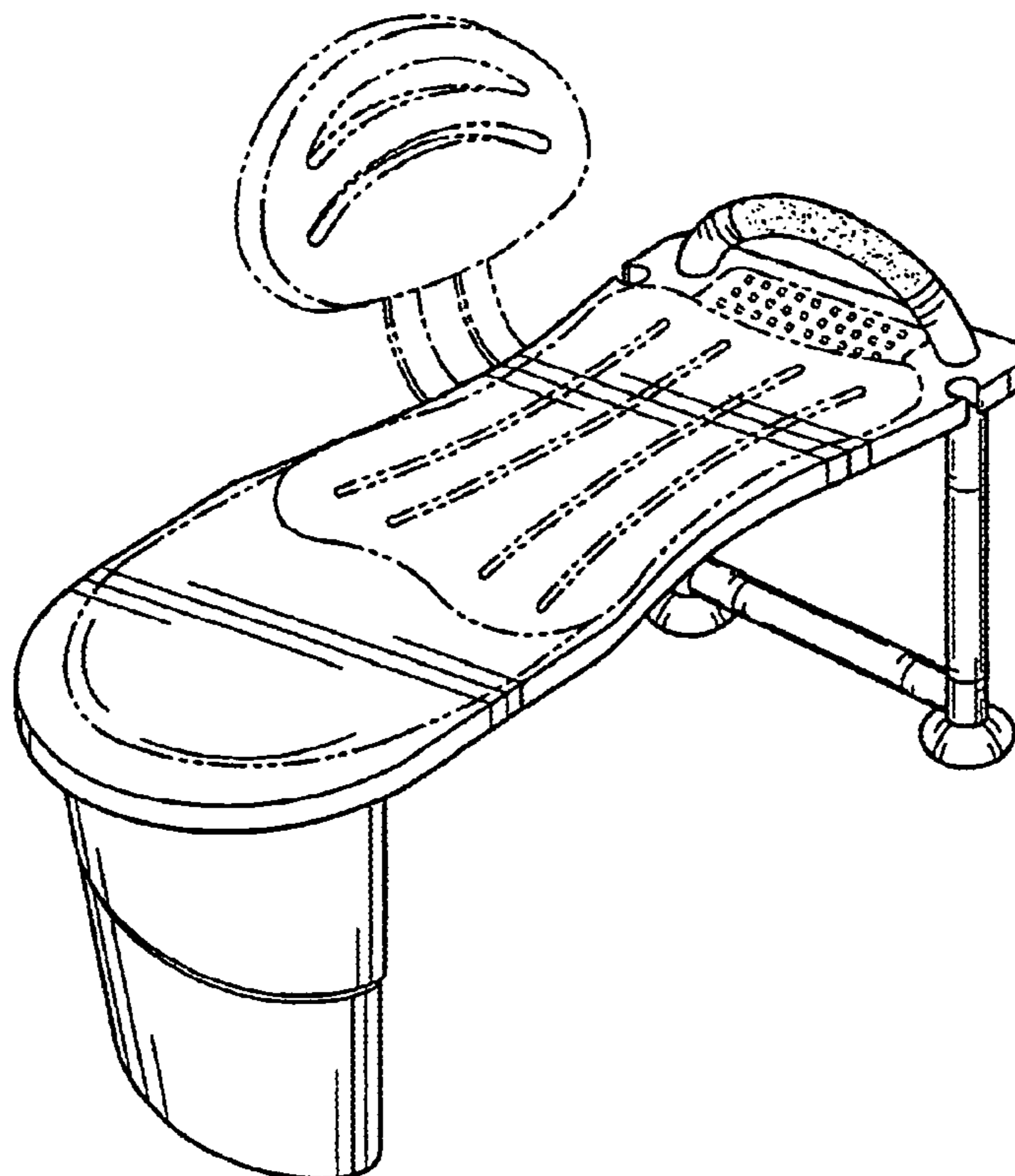
FIG. 2 is a top plan view thereof;

FIG. 3 is a front elevational view thereof; and,

FIG. 4 is a right end view thereof.

The broken lines shown in FIGS. 1 and 2 are for illustrative purposes only and form no part of the claimed design.

1 Claim, 2 Drawing Sheets



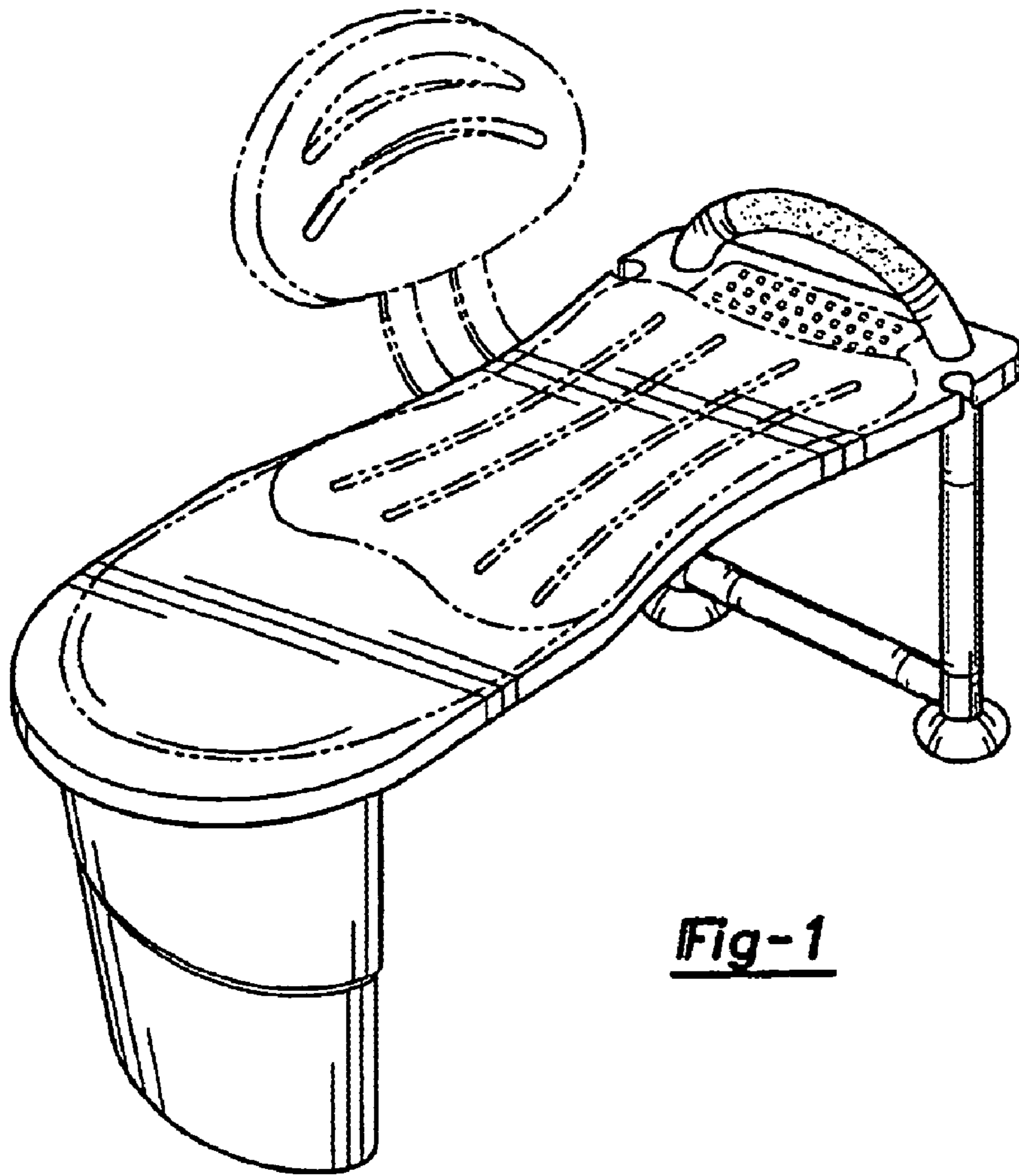


Fig-1

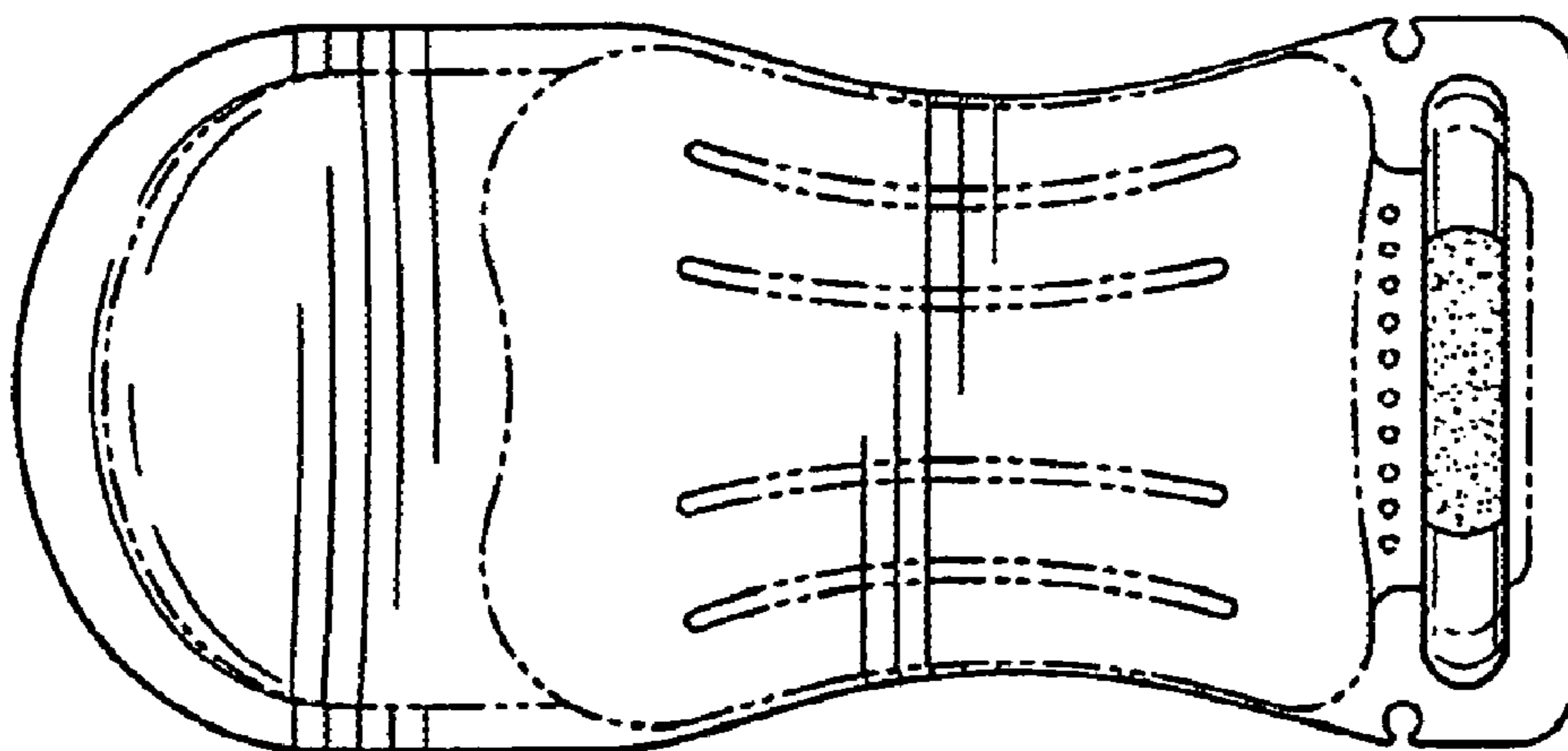


Fig-2

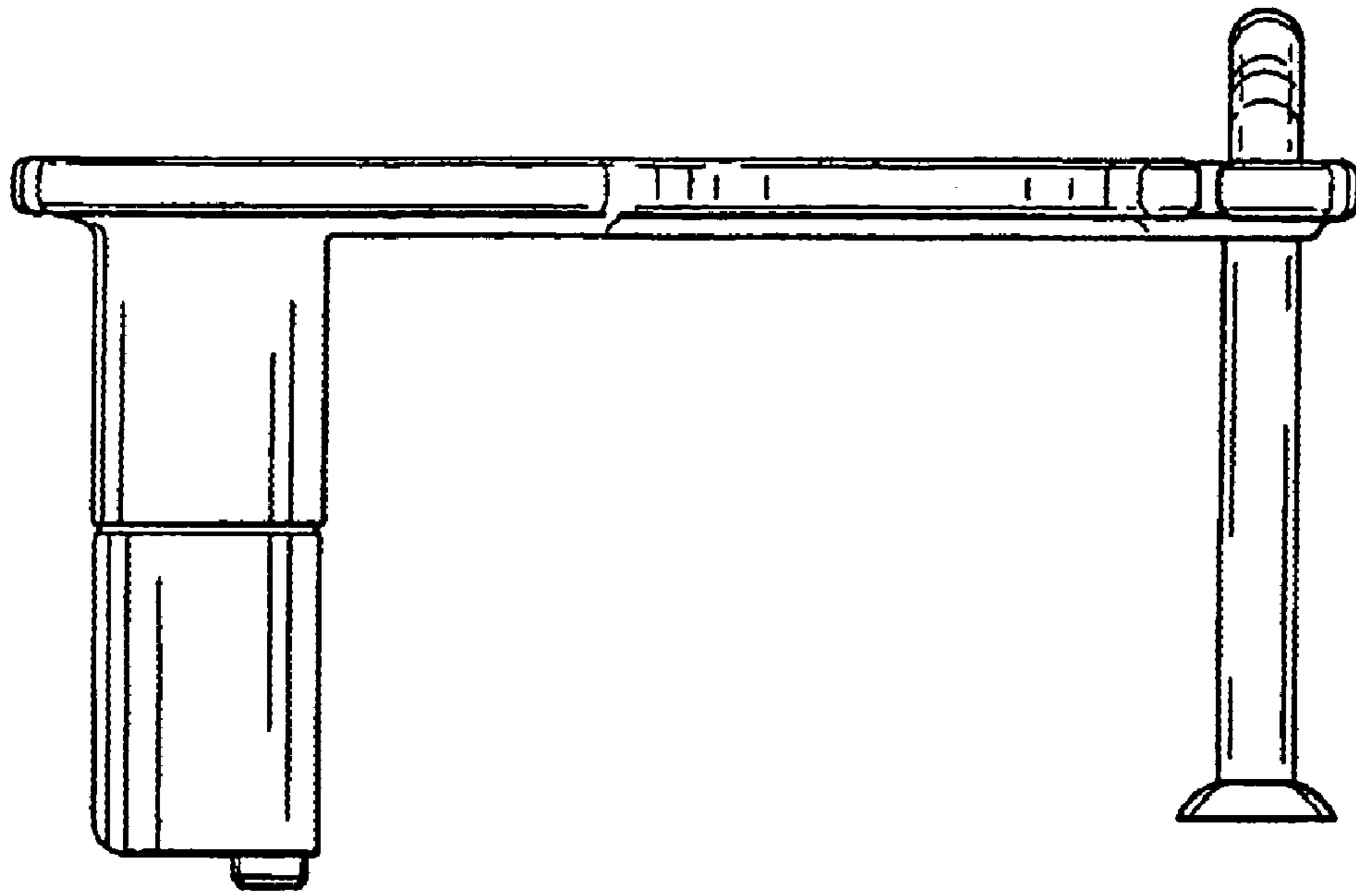


Fig-3

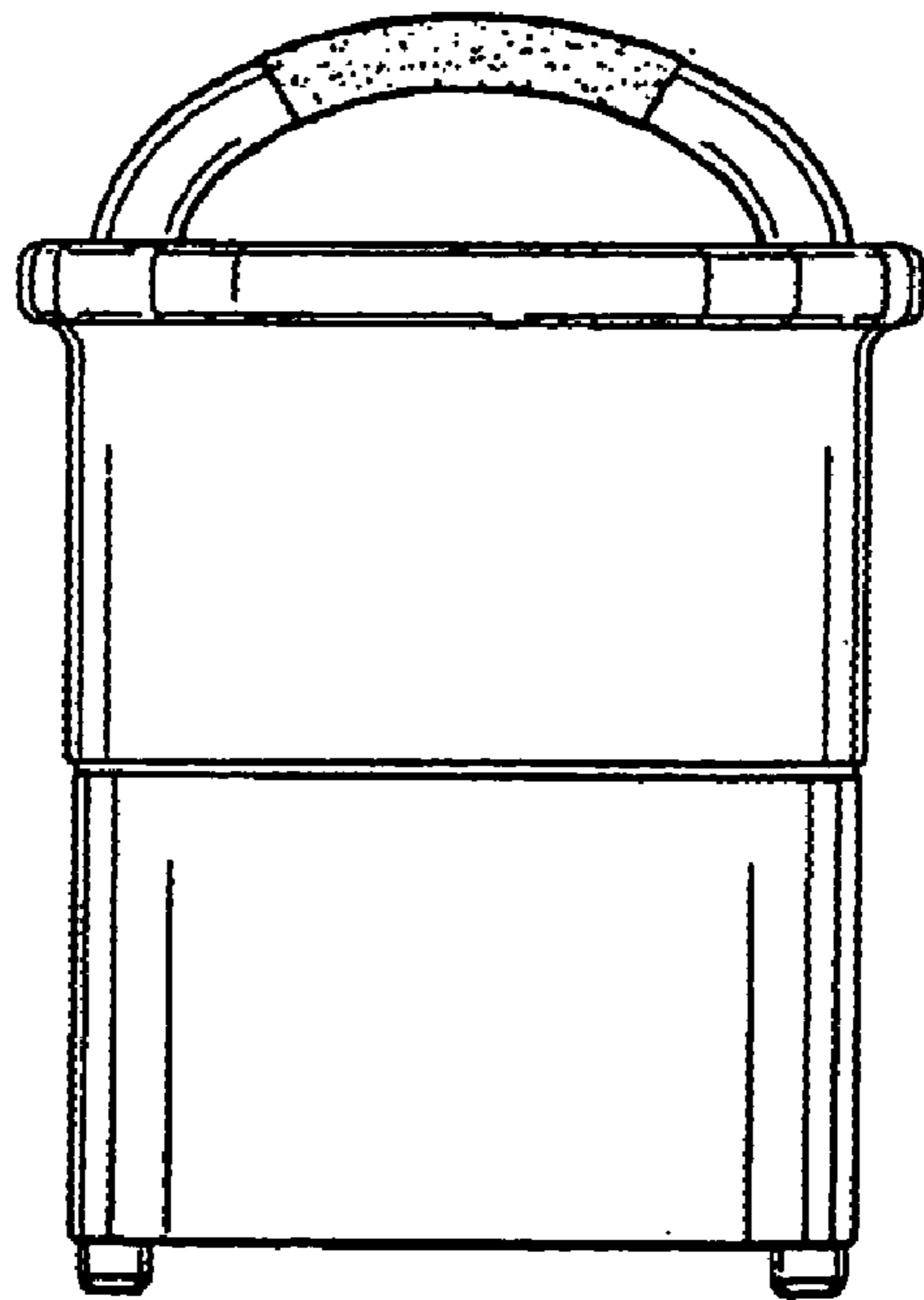


Fig-4