



US00D557513S

(12) **United States Design Patent**
Benden et al.

(10) **Patent No.:** **US D557,513 S**

(45) **Date of Patent:** **** Dec. 18, 2007**

(54) **FOOT SUPPORT**

(75) Inventors: **Mark E Benden**, College Station, TX (US); **Christopher A. Smith**, Bryan, TX (US)

(73) Assignee: **Neutral Posture, Inc.**, Bryan, TX (US)

(**) Term: **14 Years**

(21) Appl. No.: **29/286,621**

(22) Filed: **May 14, 2007**

(51) **LOC (8) Cl.** **06-01**

(52) **U.S. Cl.** **D6/349**

(58) **Field of Classification Search** D6/349-353,
D6/355, 364, 484, 334, 500-502; 297/258.1,
297/259.1, 440.12, 445.1, 451.4, 461-462,
297/187

See application file for complete search history.

(56) **References Cited**

U.S. PATENT DOCUMENTS

D273,351 S * 4/1984 Crockett D6/349
D287,316 S * 12/1986 Vanderminden D6/349

D496,801 S * 10/2004 Vanderminden, Sr. D6/349
D508,625 S * 8/2005 Frenkler et al. D6/484
D542,546 S * 5/2007 Rubio D6/349

* cited by examiner

Primary Examiner—Sandra Snapp

(74) *Attorney, Agent, or Firm*—Howrey LLP

(57) **CLAIM**

The ornamental design for a foot support, as shown and described.

DESCRIPTION

FIG. 1 is a front, right-side perspective view of a foot support showing an embodiment of our new design;

FIG. 2 is a front elevational view thereof;

FIG. 3 is a rear elevational view thereof;

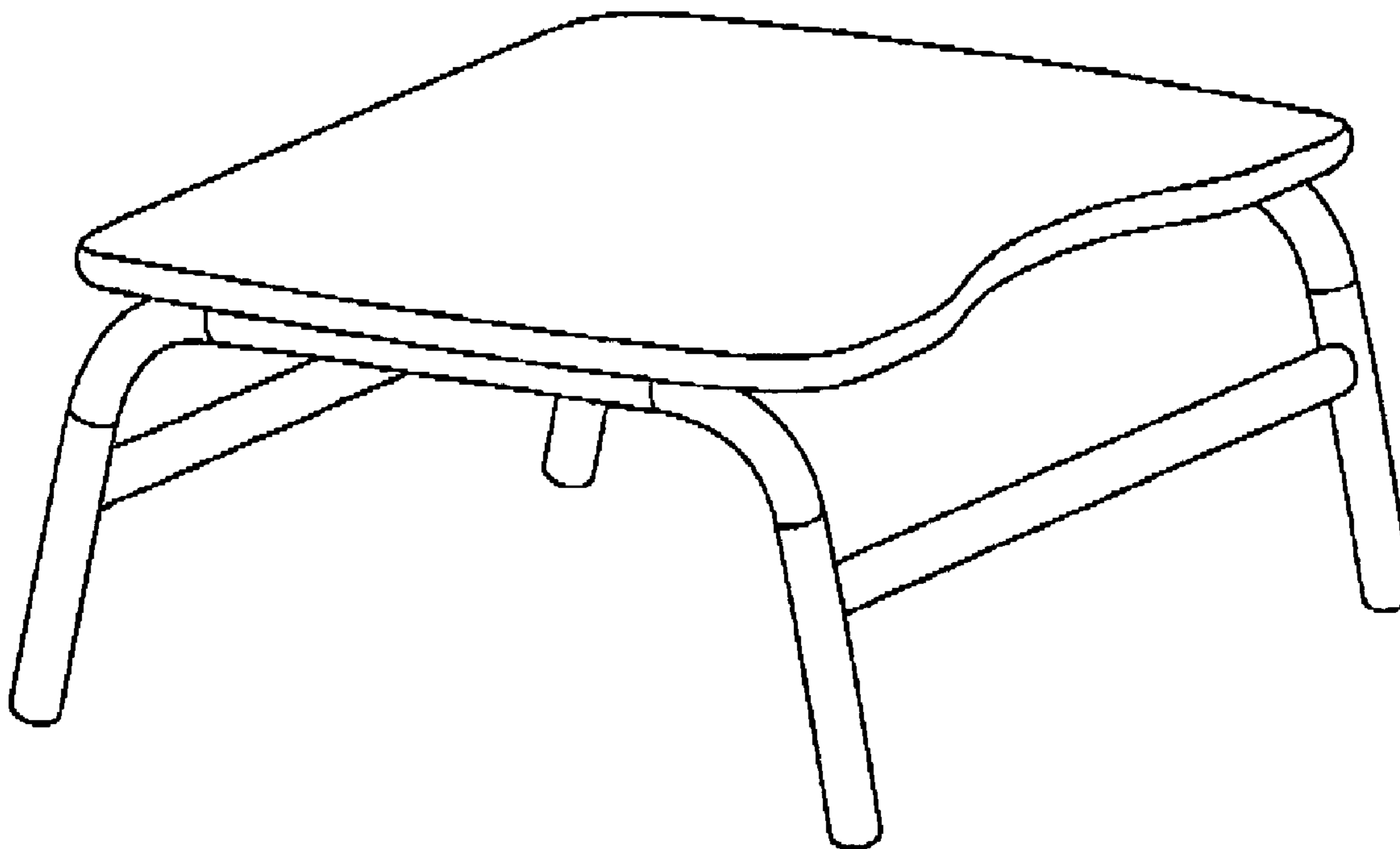
FIG. 4 is a right side elevational view thereof;

FIG. 5 is a left side elevational view thereof;

FIG. 6 is a top plan view thereof; and,

FIG. 7 is a bottom plan view thereof.

1 Claim, 4 Drawing Sheets



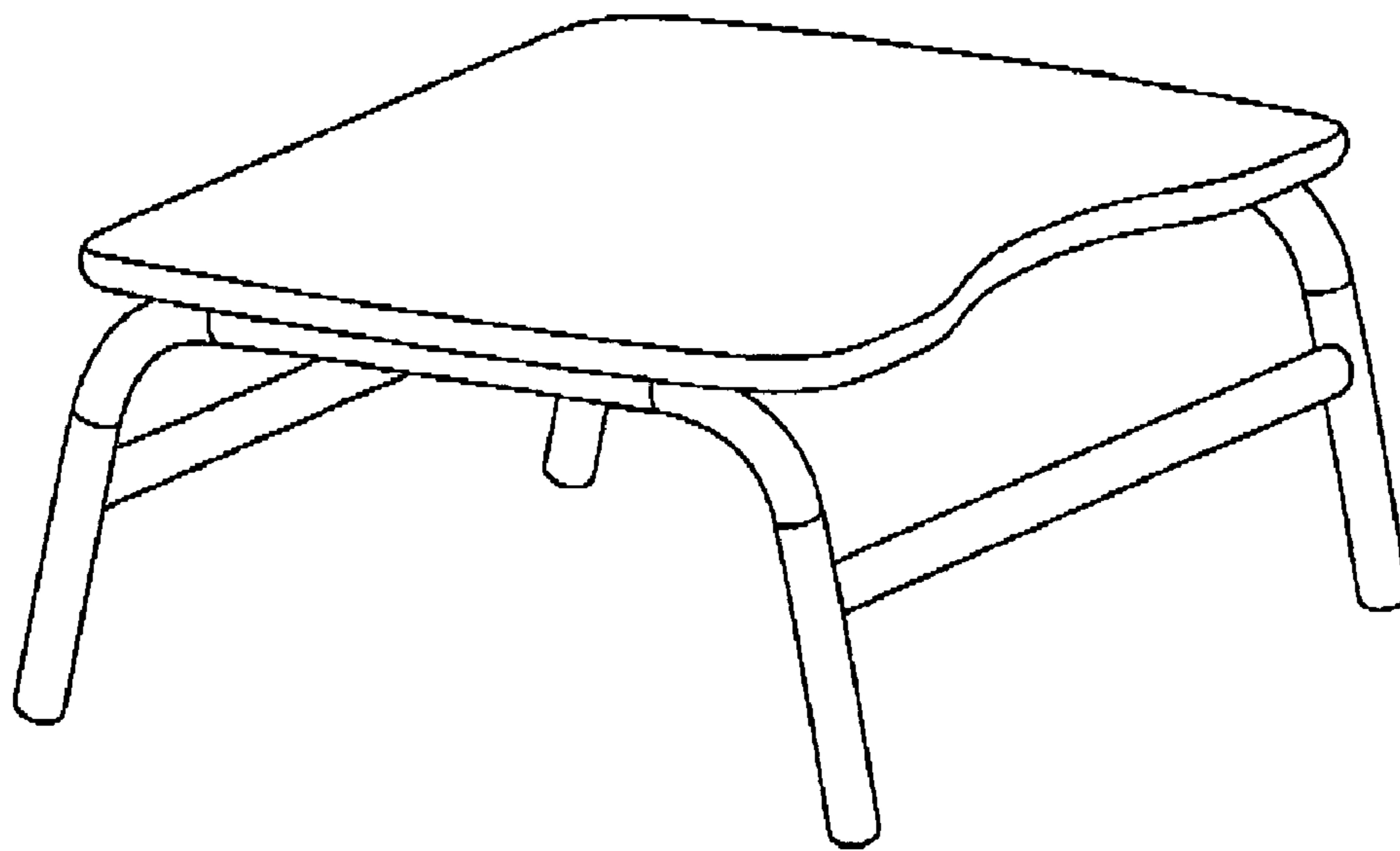


FIG. 1

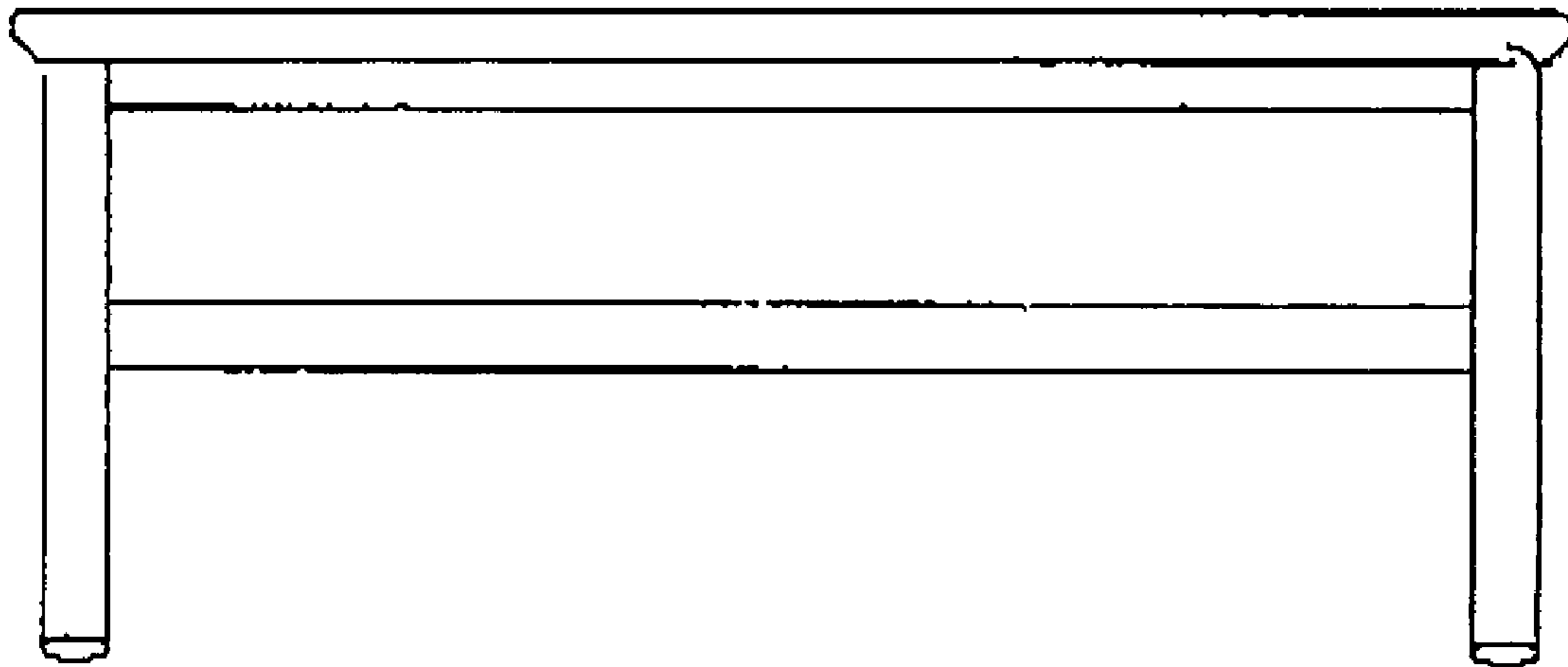


Figure 2

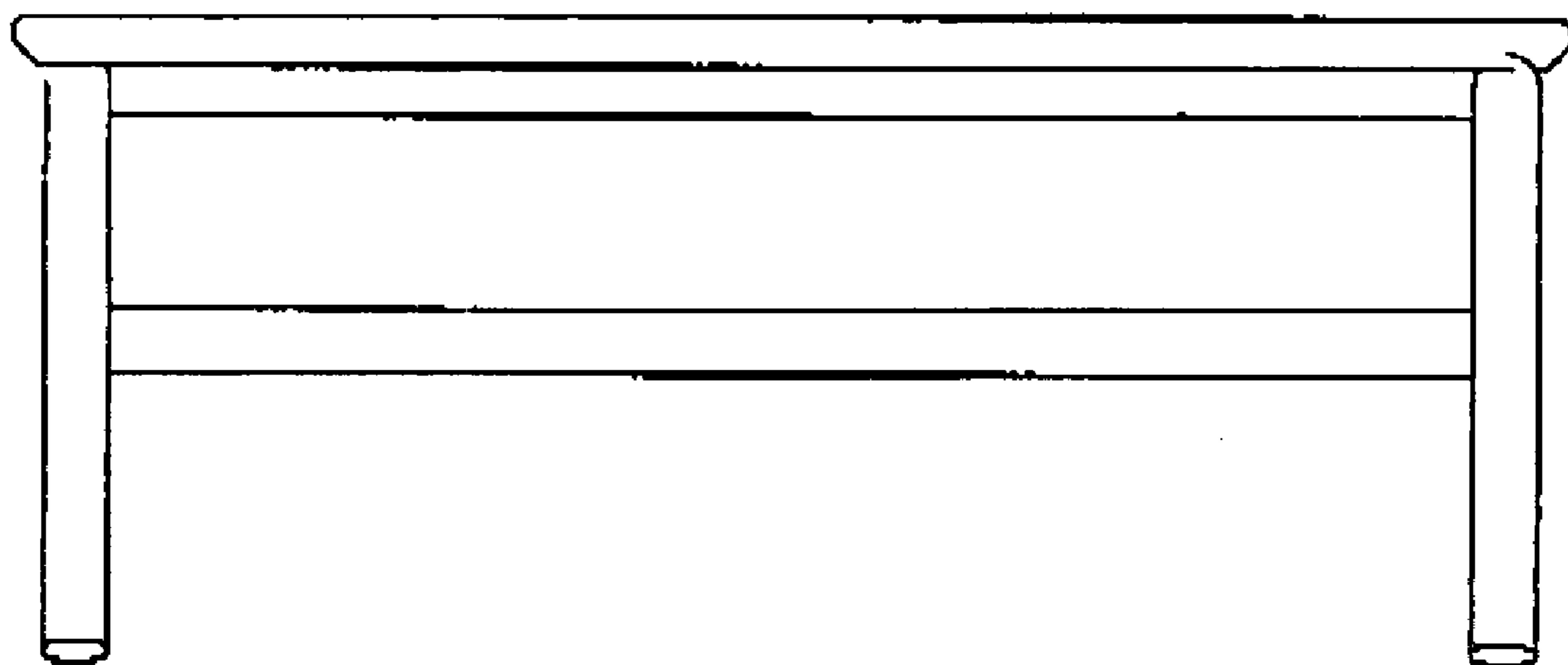


Figure 3

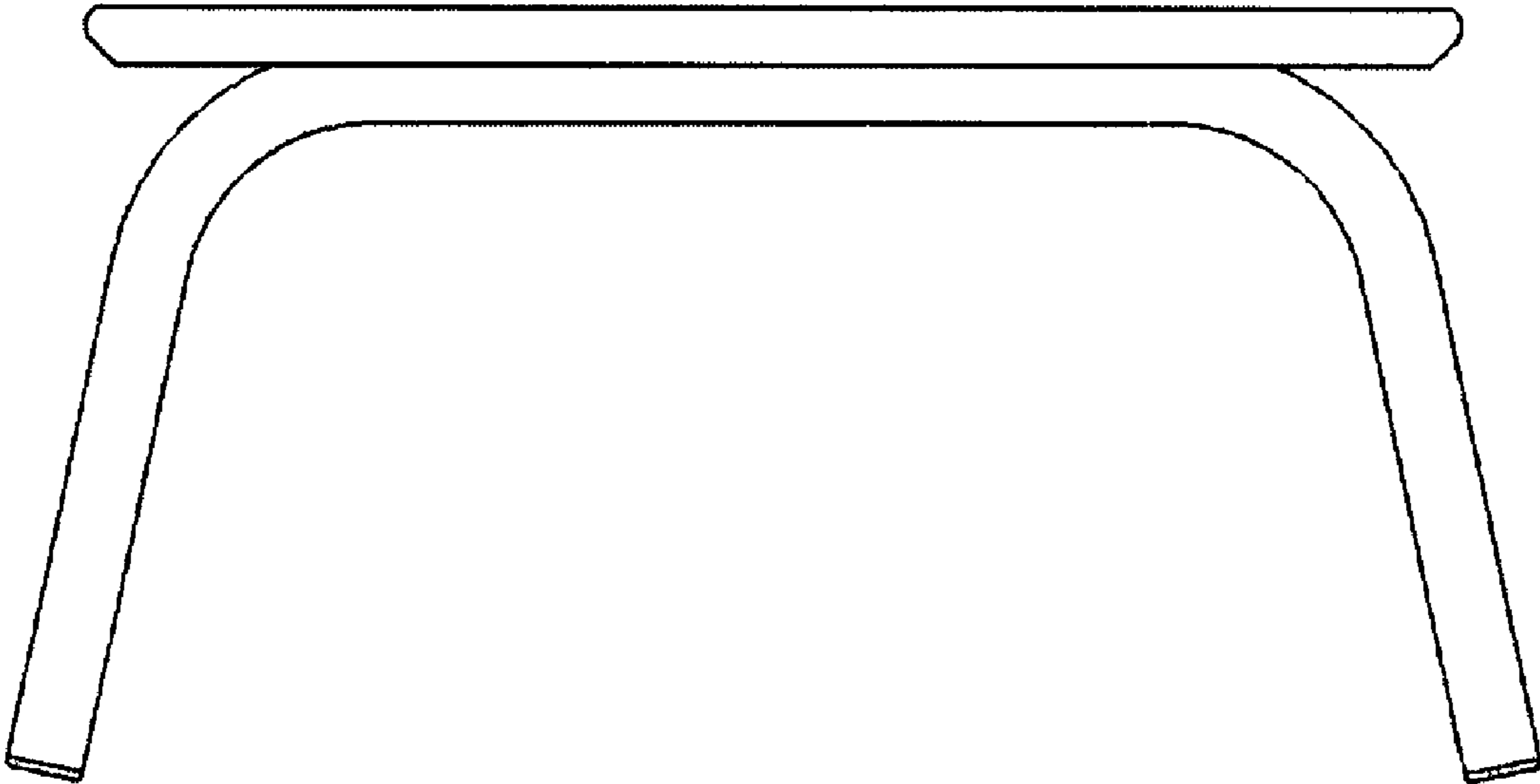


Figure 4

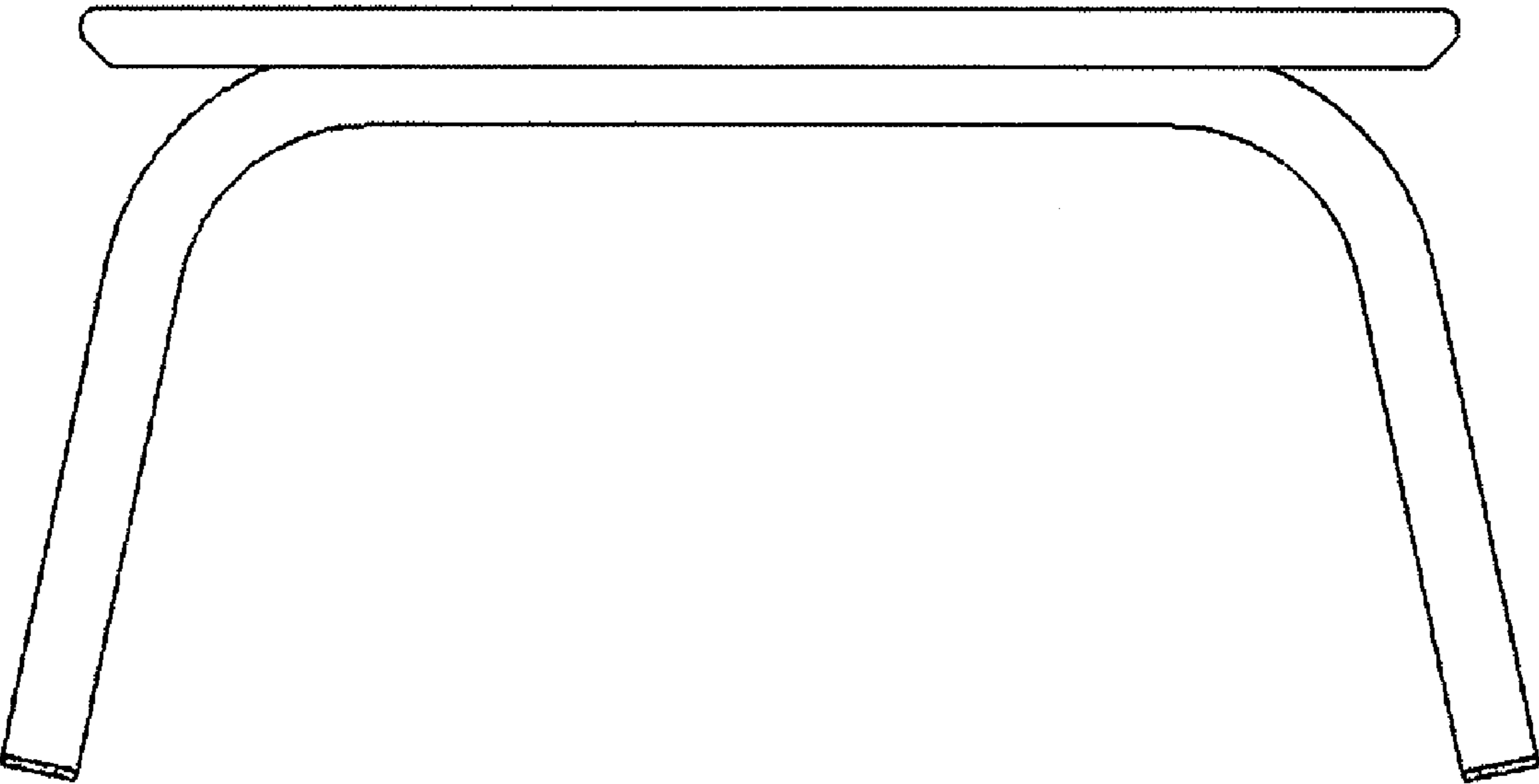


Figure 5

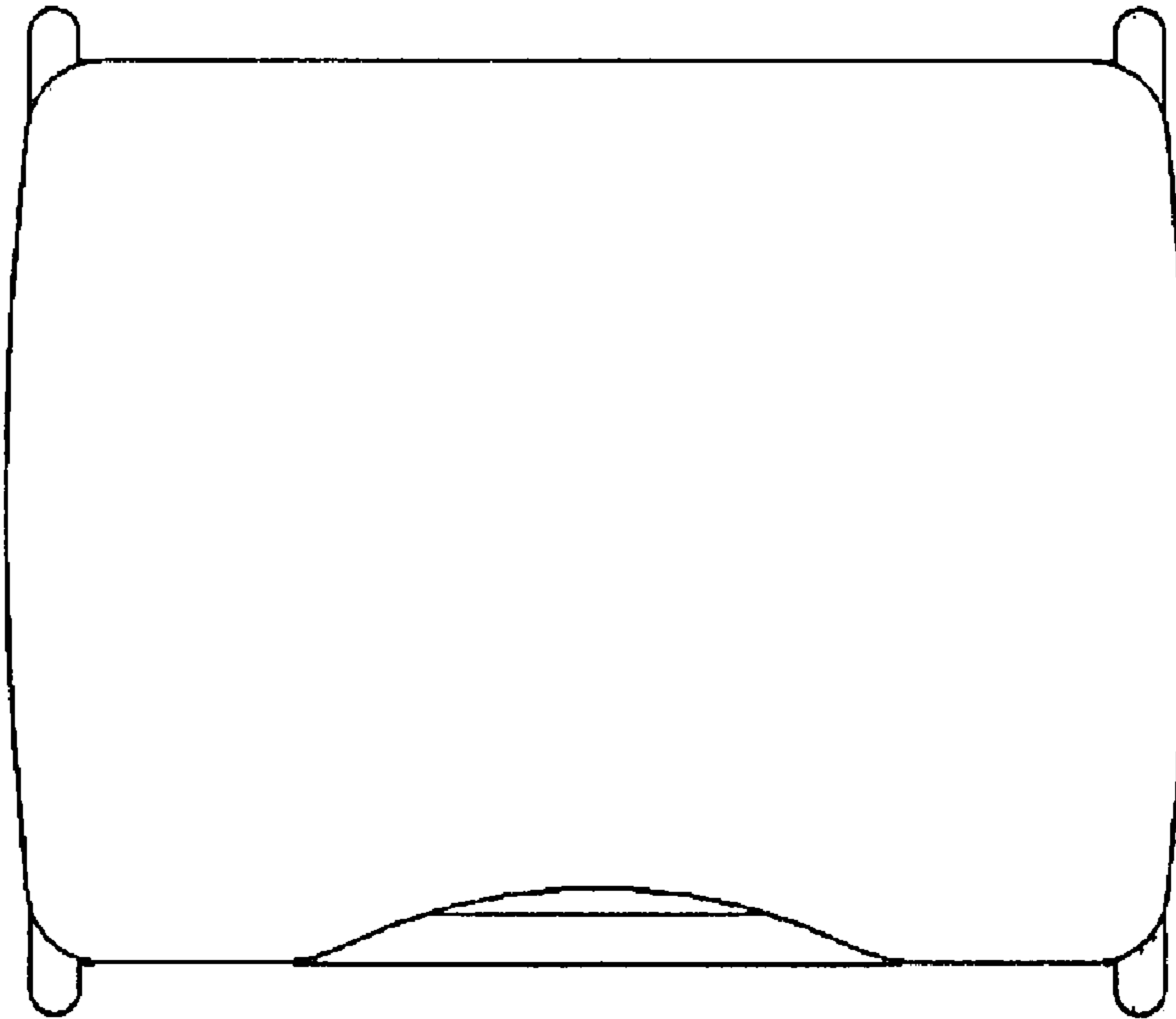


Figure 6

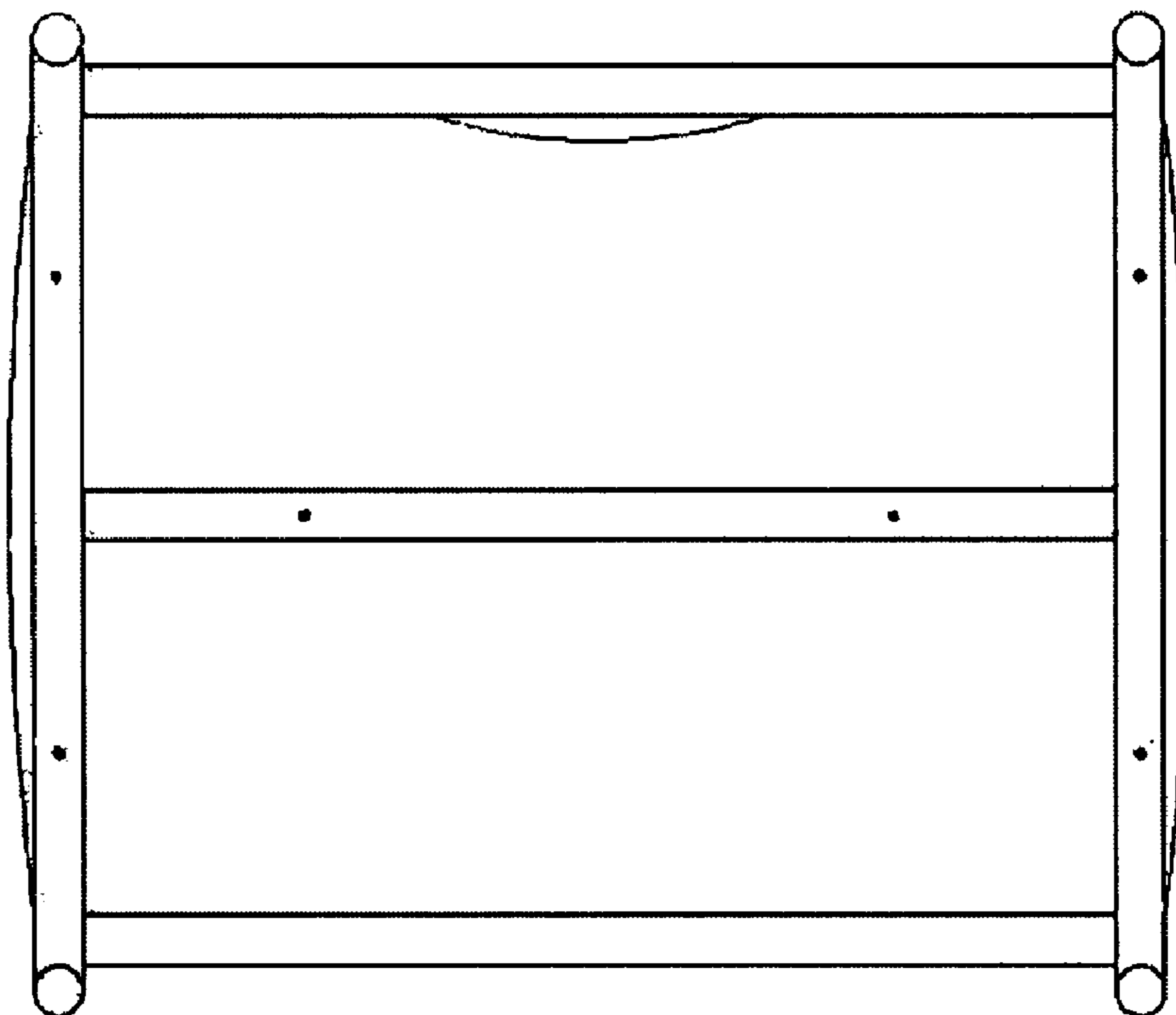


Figure 7