



US00D557511S

(12) **United States Design Patent** (10) **Patent No.:** **US D557,511 S**
Fore (45) **Date of Patent:** **** Dec. 18, 2007**

(54) **BLEACHER BABY SEAT**

(76) Inventor: **Robert G. Fore**, 1170 Double Creek Rd., Cat Spring, TX (US) 78933

(**) Term: **14 Years**

(21) Appl. No.: **29/266,577**

(22) Filed: **Sep. 25, 2006**

(51) **LOC (8) Cl.** **06-01**

(52) **U.S. Cl.** **D6/333**

(58) **Field of Classification Search** D6/333-336,
D6/339-341, 344, 381, 491, 500-502; 297/250.1,
297/255, 256.15; 5/94, 98.2, 103-104, 655,
5/655.3; D12/129-130, 133; D21/419;
280/30-31

See application file for complete search history.

(56) **References Cited**

U.S. PATENT DOCUMENTS

1,074,615	A	10/1913	Folmer	
1,163,628	A	12/1915	Gibson	
1,429,867	A	9/1922	Goldsmith	
2,788,054	A *	4/1957	Erickson	248/164
D180,364	S *	5/1957	Handin	D6/333
2,865,433	A	12/1958	Warner	
D213,550	S *	3/1969	Carpenter	D12/130
D219,102	S *	11/1970	Shamie	D12/130
3,754,786	A *	8/1973	Boucher et al.	297/5
3,884,495	A *	5/1975	Petock	280/87.041
4,245,850	A *	1/1981	Boudreau	280/87.051
D268,630	S *	4/1983	Wilson	D6/360
4,471,993	A	9/1984	Watson	
4,621,804	A *	11/1986	Mueller	280/87.041
D294,319	S	2/1988	Troup et al.	

4,844,209	A *	7/1989	Sedlack	188/5
D305,750	S *	1/1990	Cone	D12/130
D340,814	S	11/1993	Grant	
D357,609	S	4/1995	Webb et al.	
5,421,637	A	6/1995	Lemburg	
5,470,039	A *	11/1995	Hilger	248/164
5,580,125	A	12/1996	Alger	
6,343,837	B1	2/2002	Gage	
7,017,924	B1 *	3/2006	Lambert	280/87.051

* cited by examiner

Primary Examiner—Sandra Snapp

(74) *Attorney, Agent, or Firm*—Donald R. Schoonover

(57) **CLAIM**

I claim the ornamental design for a bleacher baby seat, as shown and described.

DESCRIPTION

FIG. 1 is a perspective view of a bleacher baby seat showing my new design;

FIG. 2 is a side elevational view thereof, the elevational view of the opposing side being a mirror image thereof;

FIG. 3 is a front elevational view thereof;

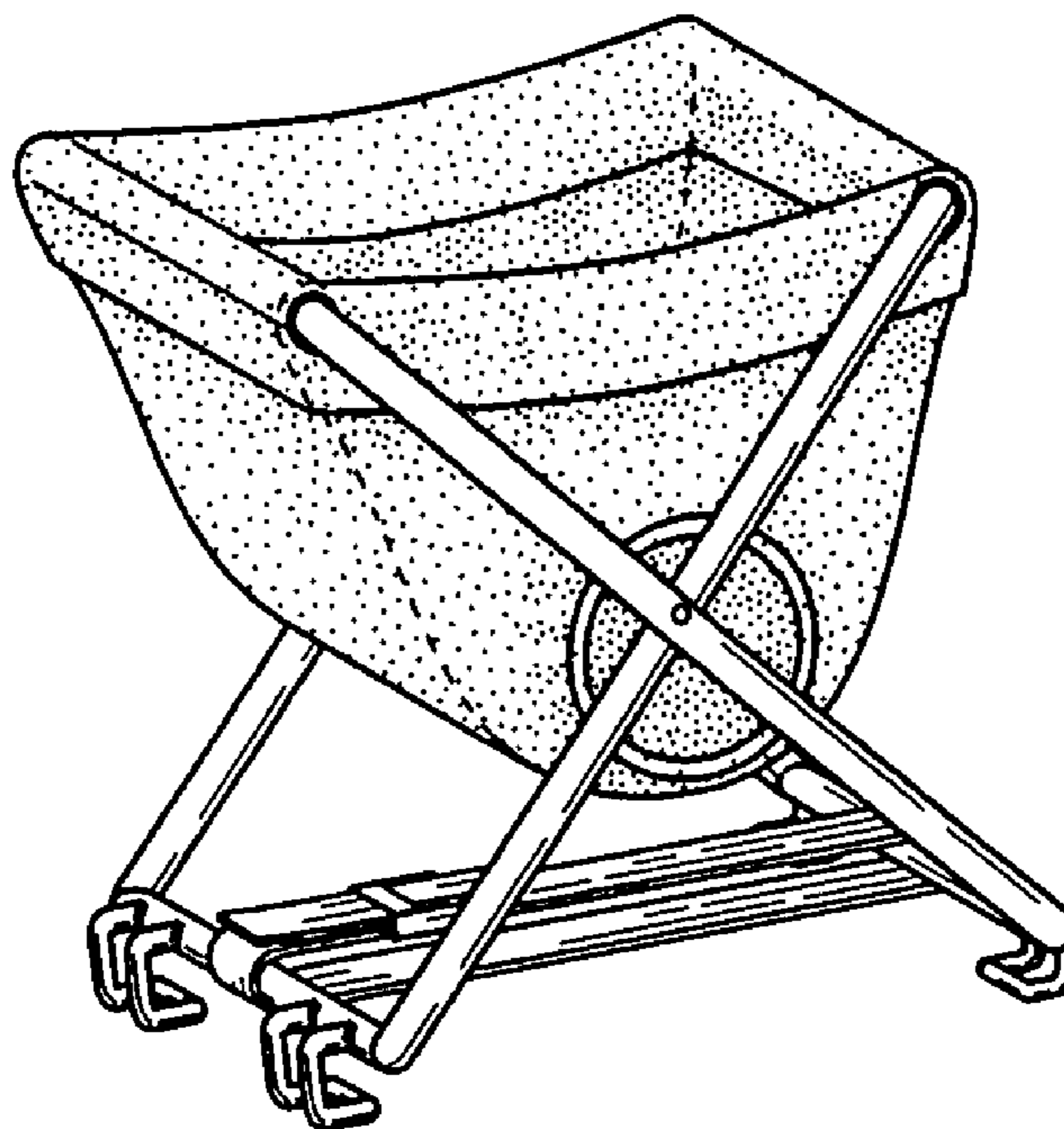
FIG. 4 is a rear elevational view thereof;

FIG. 5 is a top plan view thereof;

FIG. 6 is a bottom plan view thereof; and,

FIG. 7 is a reduced perspective view showing the bleacher baby seat in use; the broken lines depict environmental structure for illustrative purposes only and form no part of the claimed design.

1 Claim, 2 Drawing Sheets



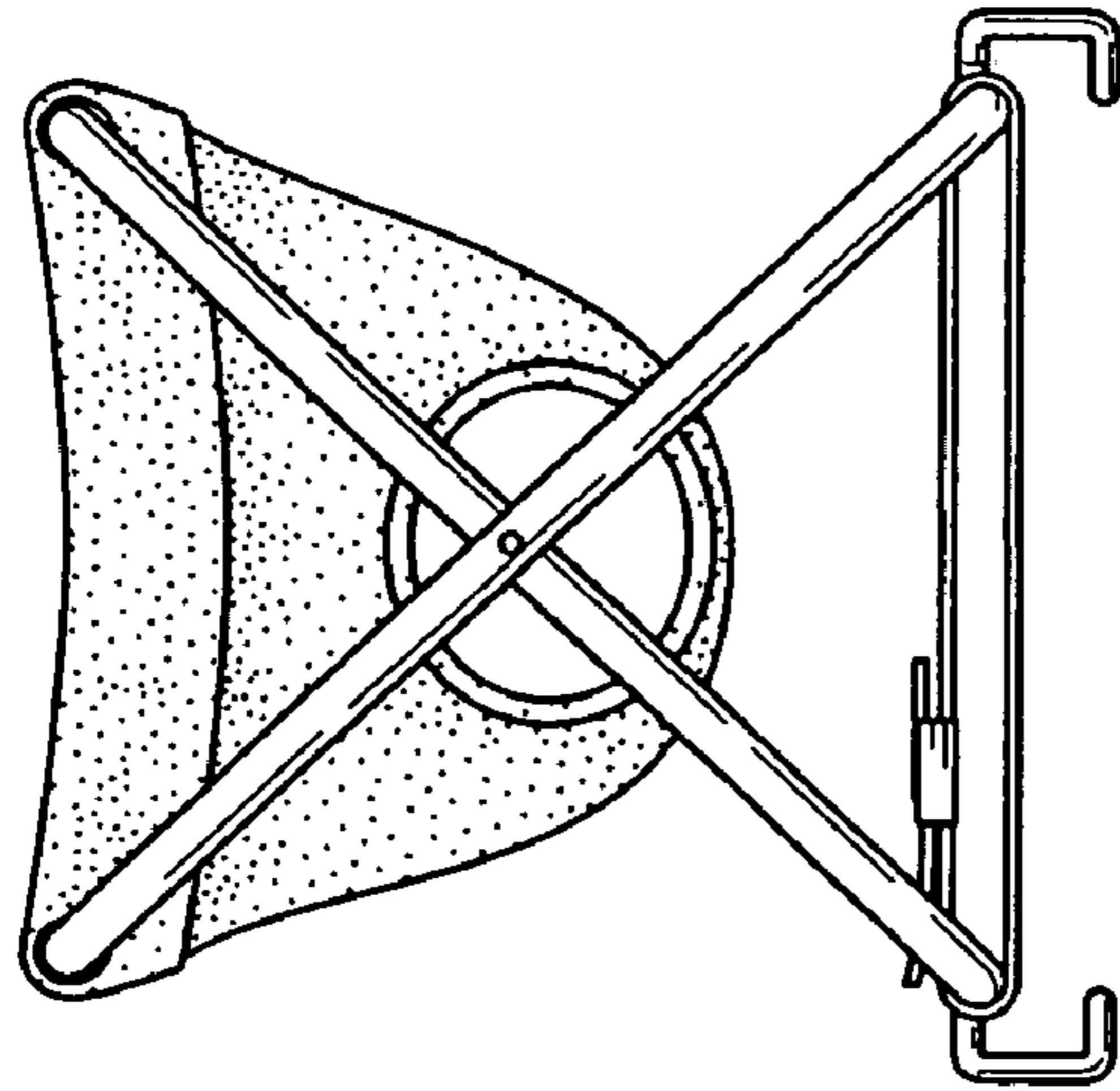


Fig. 1

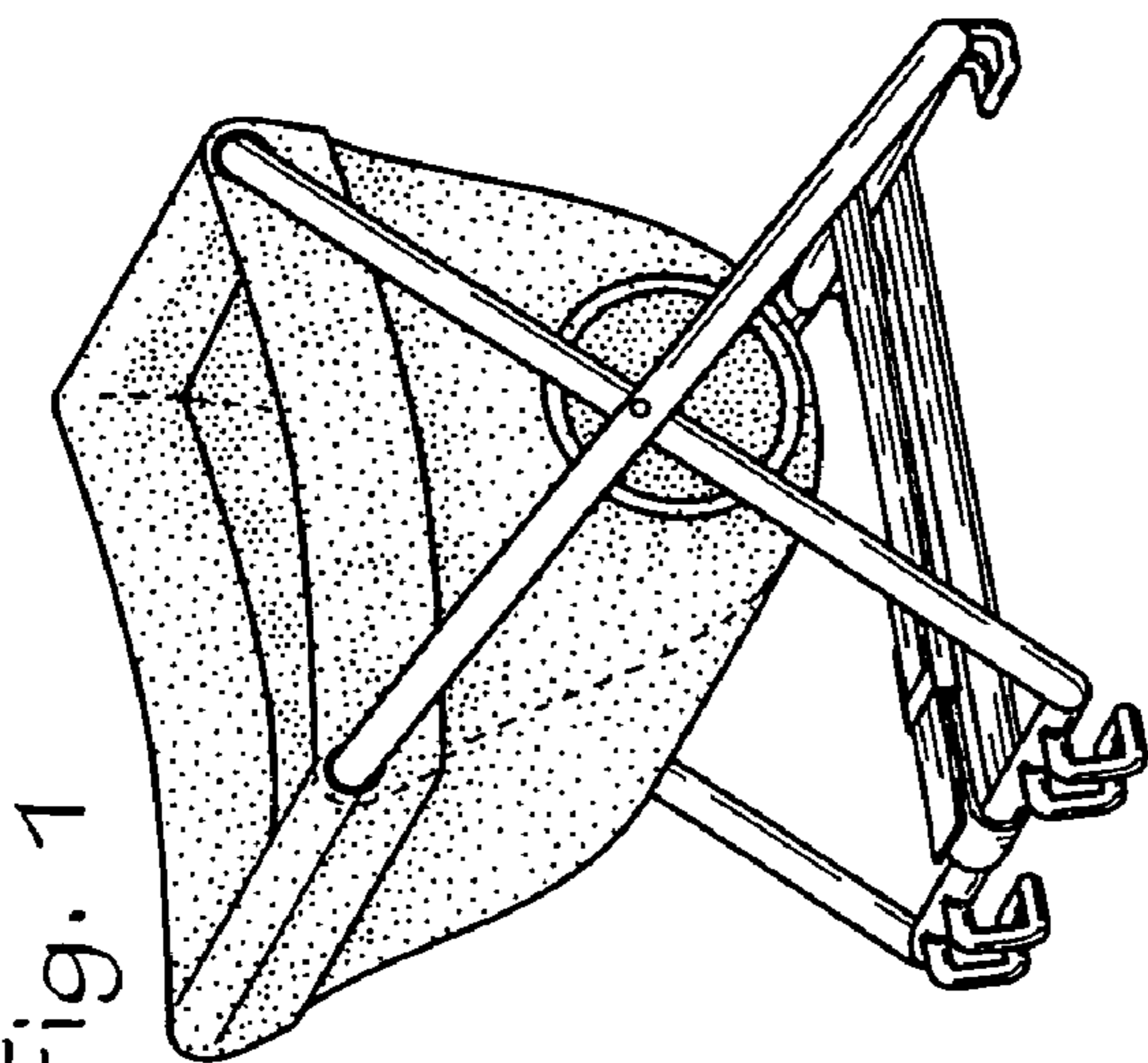


Fig. 2

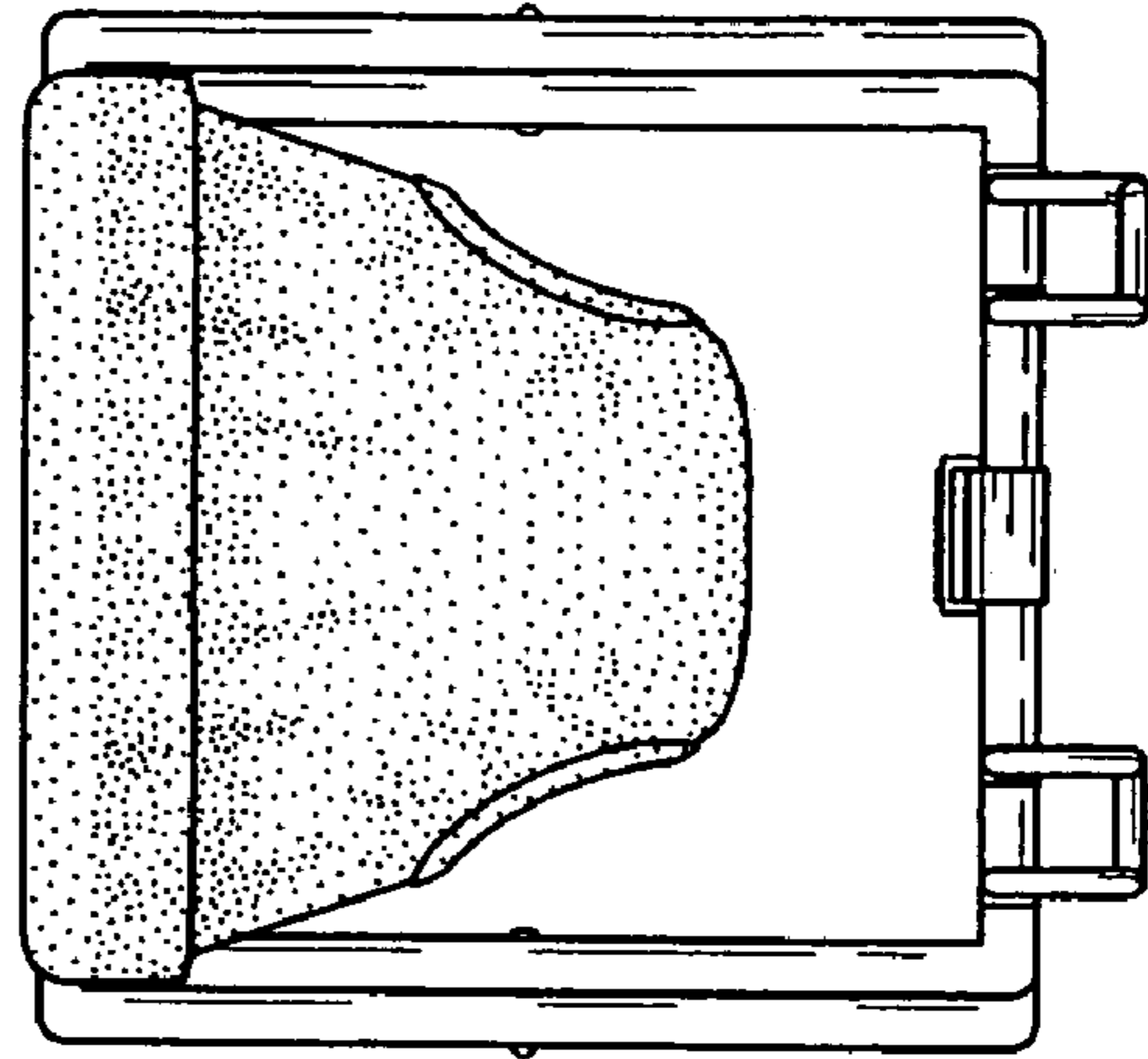


Fig. 3

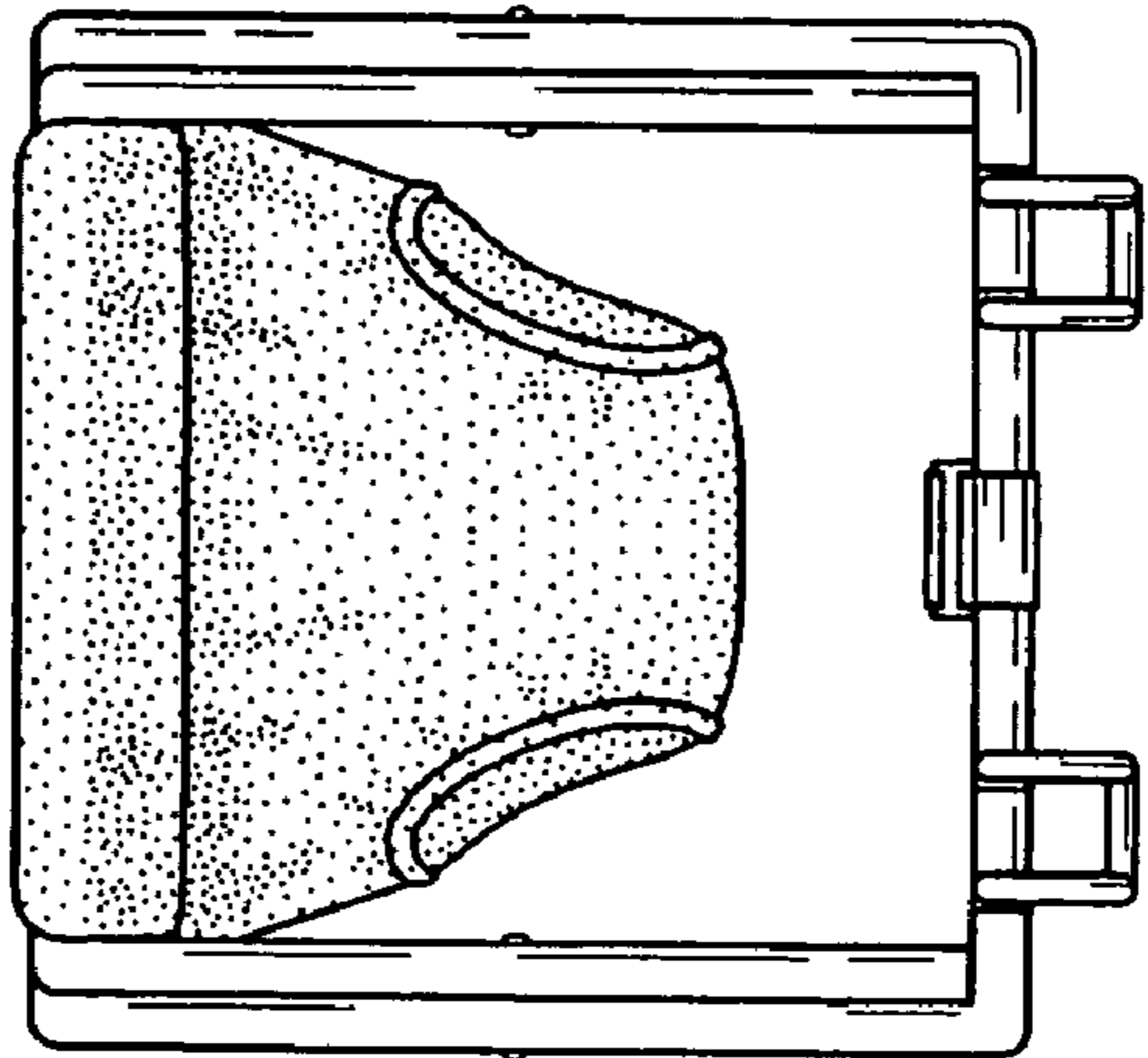


Fig. 4

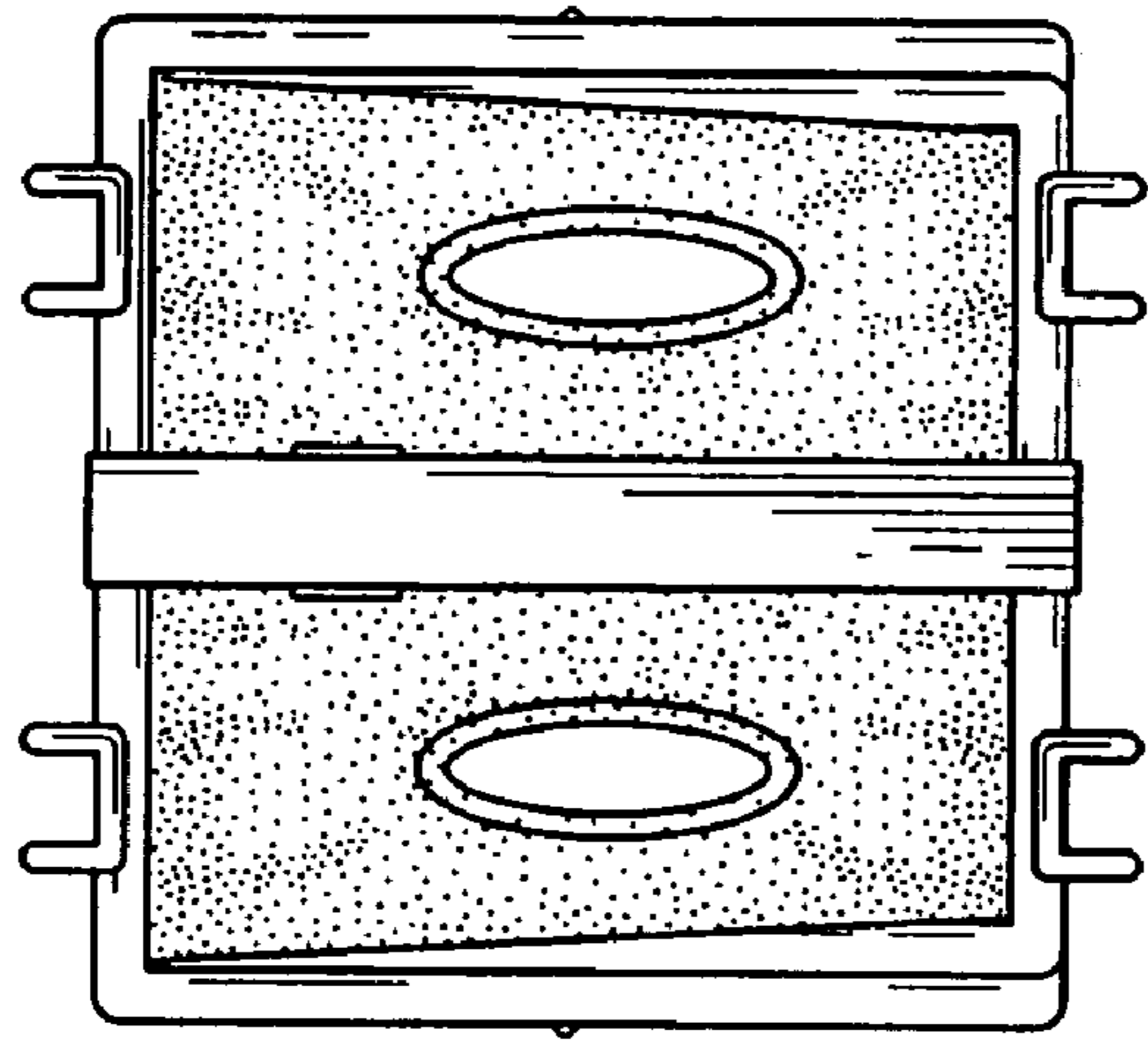


Fig. 6

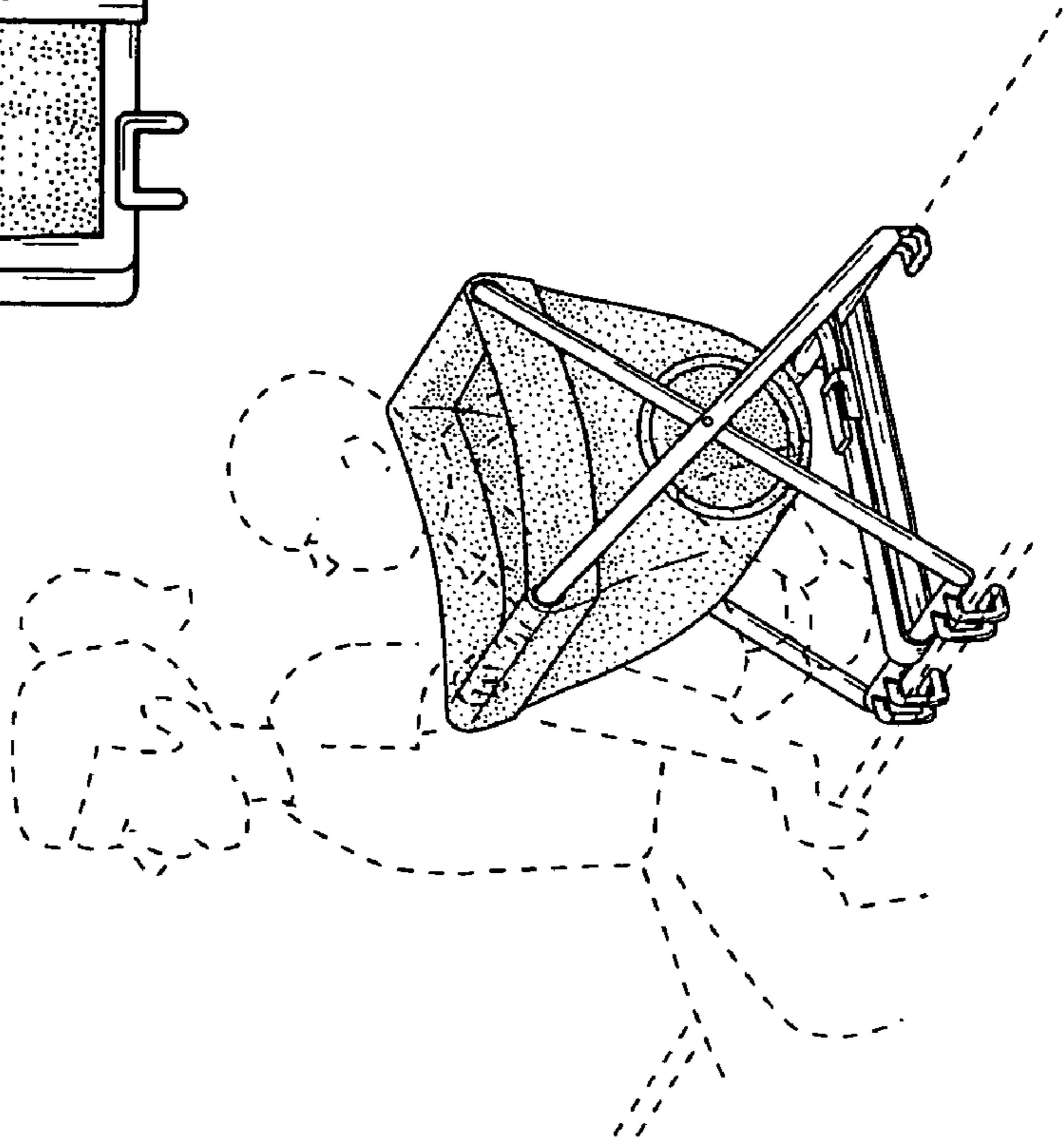


Fig. 7

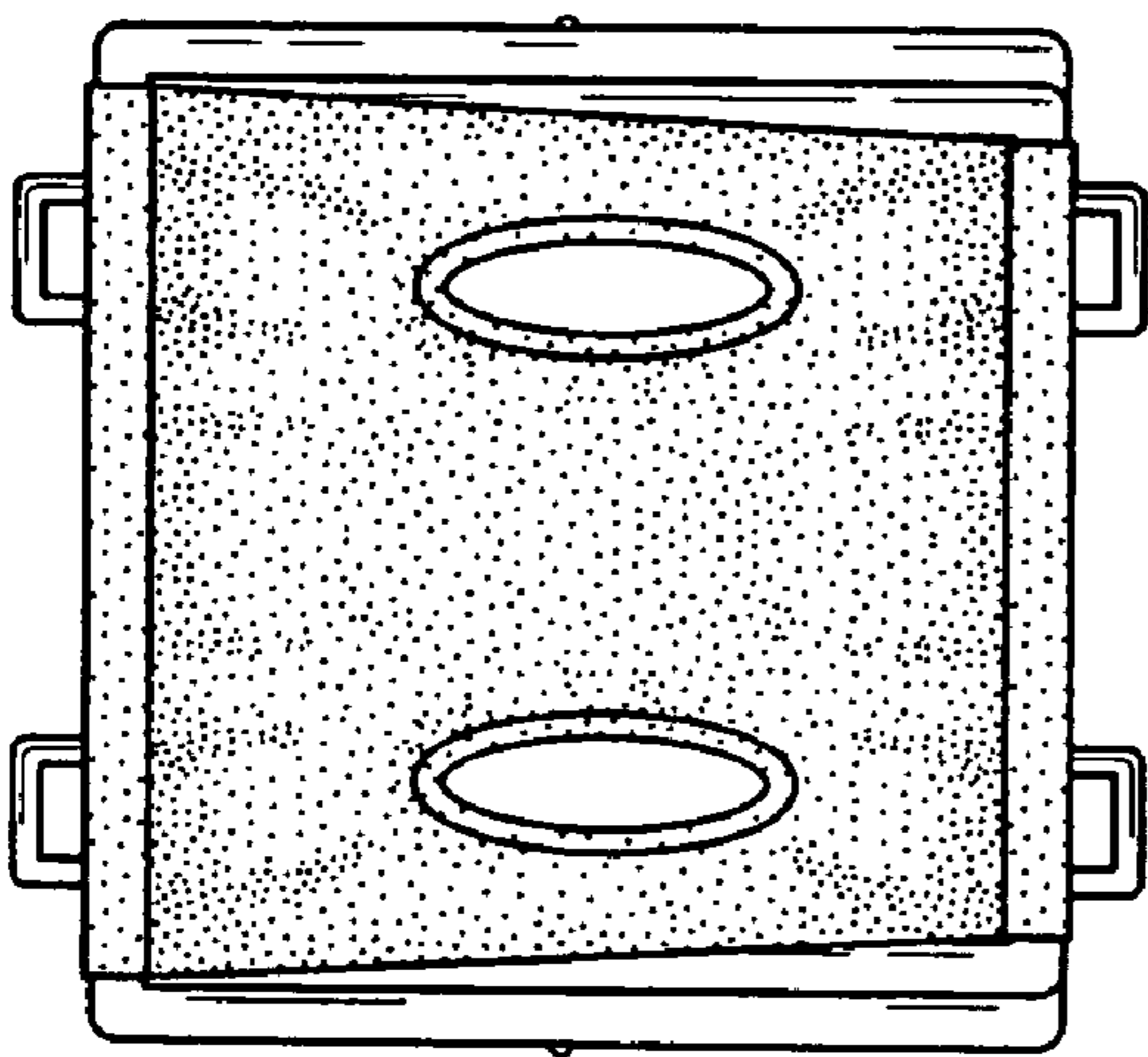


Fig. 5