



US00D557510S

(12) **United States Design Patent**  
**Troutman**

(10) **Patent No.:** **US D557,510 S**

(45) **Date of Patent:** **\*\* Dec. 18, 2007**

(54) **ROUNDED PLAY YARD**

(75) Inventor: **Damon Oliver Casati Troutman**, Lake Forest, IL (US)

(73) Assignee: **Kolcraft Enterprises, Inc.**, Chicago, IL (US)

(\*\*) Term: **14 Years**

(21) Appl. No.: **29/244,887**

(22) Filed: **Dec. 15, 2005**

**Related U.S. Application Data**

(62) Division of application No. 29/216,576, filed on Nov. 5, 2004.

(51) **LOC (8) Cl.** ..... **06-01**

(52) **U.S. Cl.** ..... **D6/331; D6/391**

(58) **Field of Classification Search** ..... D6/360,  
D6/391, 331, 333, 508, 383, 384, 503; 5/93.1,  
5/93.2, 99.1, 101, 97, 98.1, 655

See application file for complete search history.

(56) **References Cited**

**U.S. PATENT DOCUMENTS**

1,839,580 A	5/1926	Myron
1,695,571 A	12/1928	Baxter
1,975,332 A	10/1934	Rehkoff
2,287,907 A	6/1942	Schettler, Jr.
D158,030 S	4/1950	Wagner
2,617,999 A	11/1952	Mitchell
2,784,420 A	10/1953	Moltane
2,698,443 A	1/1955	Ralick
2,873,458 A	2/1959	Adamson
3,018,493 A	1/1962	Wittbrodt
RE25,195 E	7/1962	Hamilton
3,064,277 A	11/1962	Gill
3,092,847 A	6/1963	Puy
3,095,583 A	7/1963	Golub et al.
3,103,670 A	9/1963	Landry
3,158,876 A	12/1964	Gottlieb
3,162,865 A	12/1964	Tigrett

3,183,528 A	5/1965	Jacobs et al.
3,187,352 A	6/1965	Gottlieb
3,233,254 A	2/1966	Golub et al.
3,546,721 A	5/1968	Cleary
3,706,105 A	12/1972	Nicholson
D244,890 S	7/1977	Adams
4,376,318 A	3/1983	Cirillo
4,561,138 A	12/1985	Hwang
4,900,011 A	2/1990	Nolet
5,197,154 A	3/1993	Shamie
5,211,498 A	5/1993	Huang
5,239,714 A	8/1993	Huang
D339,922 S	10/1993	Williams
5,274,863 A	1/1994	Fountain
5,279,006 A	1/1994	Teng
5,307,531 A	5/1994	Kao
5,339,470 A	8/1994	Shamie
5,349,709 A	9/1994	Cheng
5,367,725 A	11/1994	Tsai
5,381,570 A	1/1995	Cheng
5,504,951 A	4/1996	Yeh

(Continued)

*Primary Examiner*—Janice E. Seeger

(74) *Attorney, Agent, or Firm*—Hanley, Flight & Zimmerman, LLC

(57) **CLAIM**

The ornamental design for a rounded play yard, as shown and described.

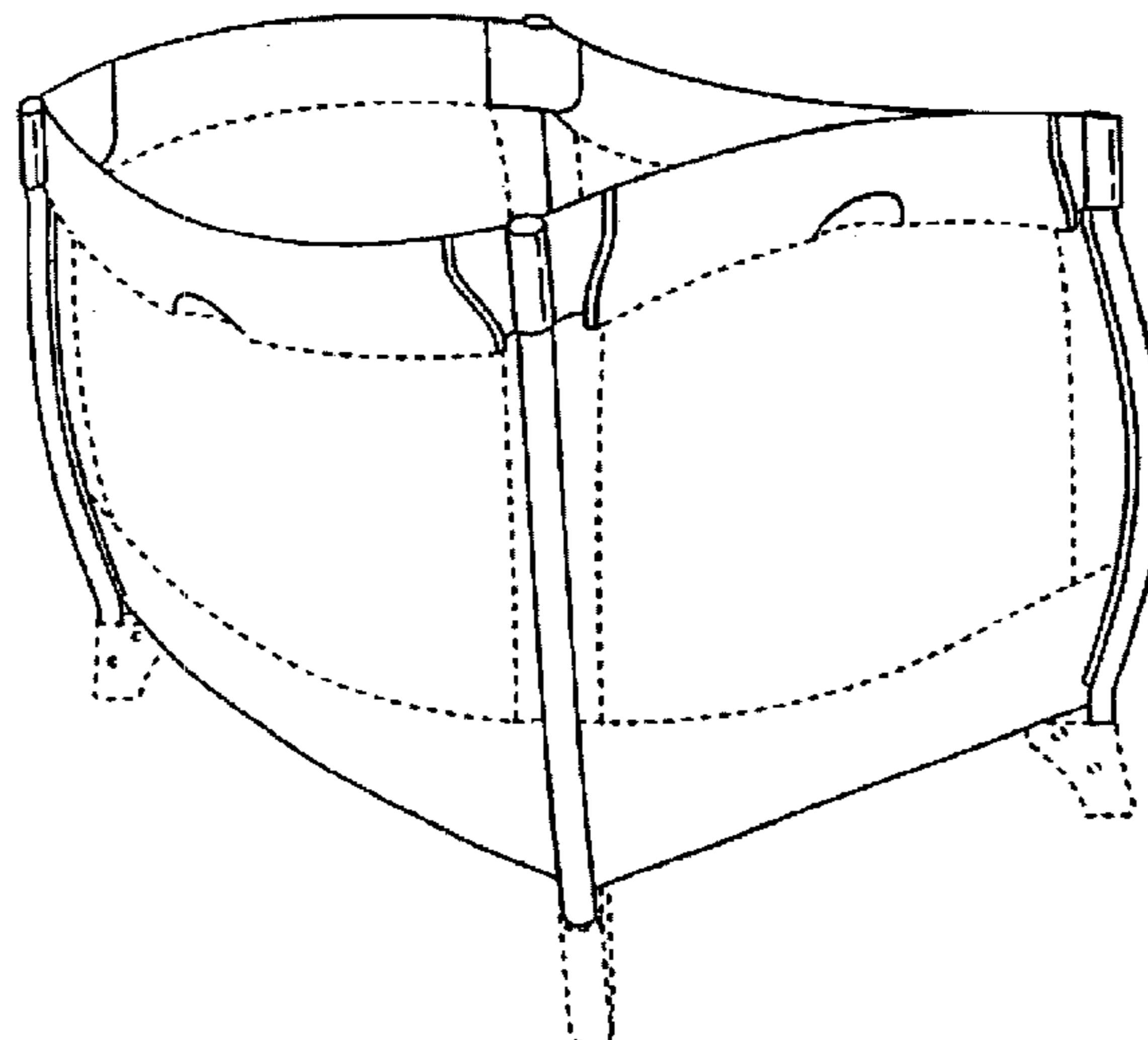
**DESCRIPTION**

FIG. 1 is a perspective view of a rounded play yard. FIG. 2 is a right side view of the play yard of FIG. 1. FIG. 3 is a left side view of the play yard of FIG. 1. FIG. 4 is a front view of the play yard of FIG. 1. FIG. 5 is a rear view of the play yard of FIG. 1; and, FIG. 6 is a top view of the play yard of FIG. 1.

There is no fabric covering the exposed legs shown in any of FIGS. 1–6 .

The features shown in broken lines are for illustrative purposes only and do not form part of the claimed design.

**1 Claim, 4 Drawing Sheets**



# US D557,510 S

Page 2

U.S. PATENT DOCUMENTS							
5,513,399	A	5/1996	Weng	6,615,424	B1	9/2003	Cheng
5,553,336	A	9/1996	Mariol	6,665,895	B1	12/2003	St. Pierre et al.
5,560,055	A	10/1996	Ziegler	6,721,971	B1	4/2004	Cheng
5,581,827	A	12/1996	Fong et al.	D494,393	S	8/2004	Chen
5,615,427	A	4/1997	Huang	D500,213	S	12/2004	DeHart et al.
D382,718	S	* 8/1997	Mariol ..... D6/331	6,859,957	B1	3/2005	Chen
5,761,755	A	6/1998	Huang	6,895,611	B2	5/2005	Tharalson et al.
5,778,465	A	7/1998	Myers	6,954,949	B1	* 10/2005	Chen ..... 5/99.1
D397,882	S	9/1998	Wu	6,959,462	B2	11/2005	Chen
5,826,285	A	10/1998	Mariol et al.	7,003,382	B2	2/2006	Honda
5,867,850	A	2/1999	Mariol	7,003,821	B2	2/2006	DeHart et al.
5,867,851	A	2/1999	Mariol et al.	7,020,914	B2	4/2006	Miyakawa
D409,411	S	5/1999	Mariol et al.	7,043,779	B2	5/2006	Mendenhall et al.
D413,025	S	8/1999	Mariol et al.	2003/0177575	A1	* 9/2003	Cheng et al.
5,991,944	A	11/1999	Yang	2004/0261174	A1	12/2004	DeHart et al.
6,173,462	B1	1/2001	Huang	2005/0144716	A1	7/2005	Chen
6,233,759	B1	5/2001	Warner	2005/0144717	A1	7/2005	Chen
6,256,814	B1	7/2001	Drobinski	2005/0144718	A1	7/2005	Miyakawa
D448,218	S	* 9/2001	Celestina-Krevh ..... D6/495	2005/0229308	A1	* 10/2005	Chen ..... 5/93.1
6,385,800	B1	5/2002	Chen et al.	2006/0037137	A1	2/2006	Song

\* cited by examiner

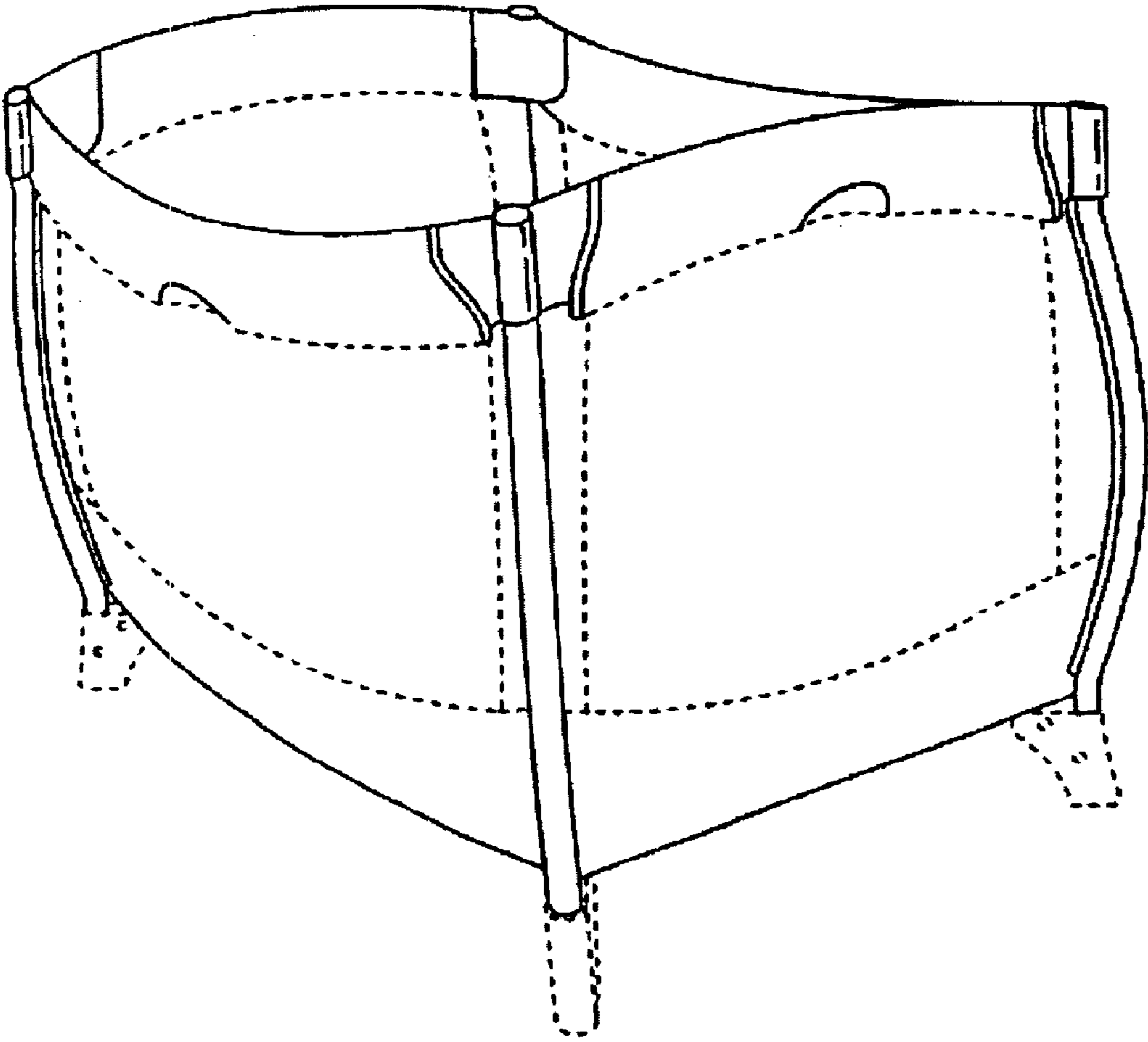


FIG. 1

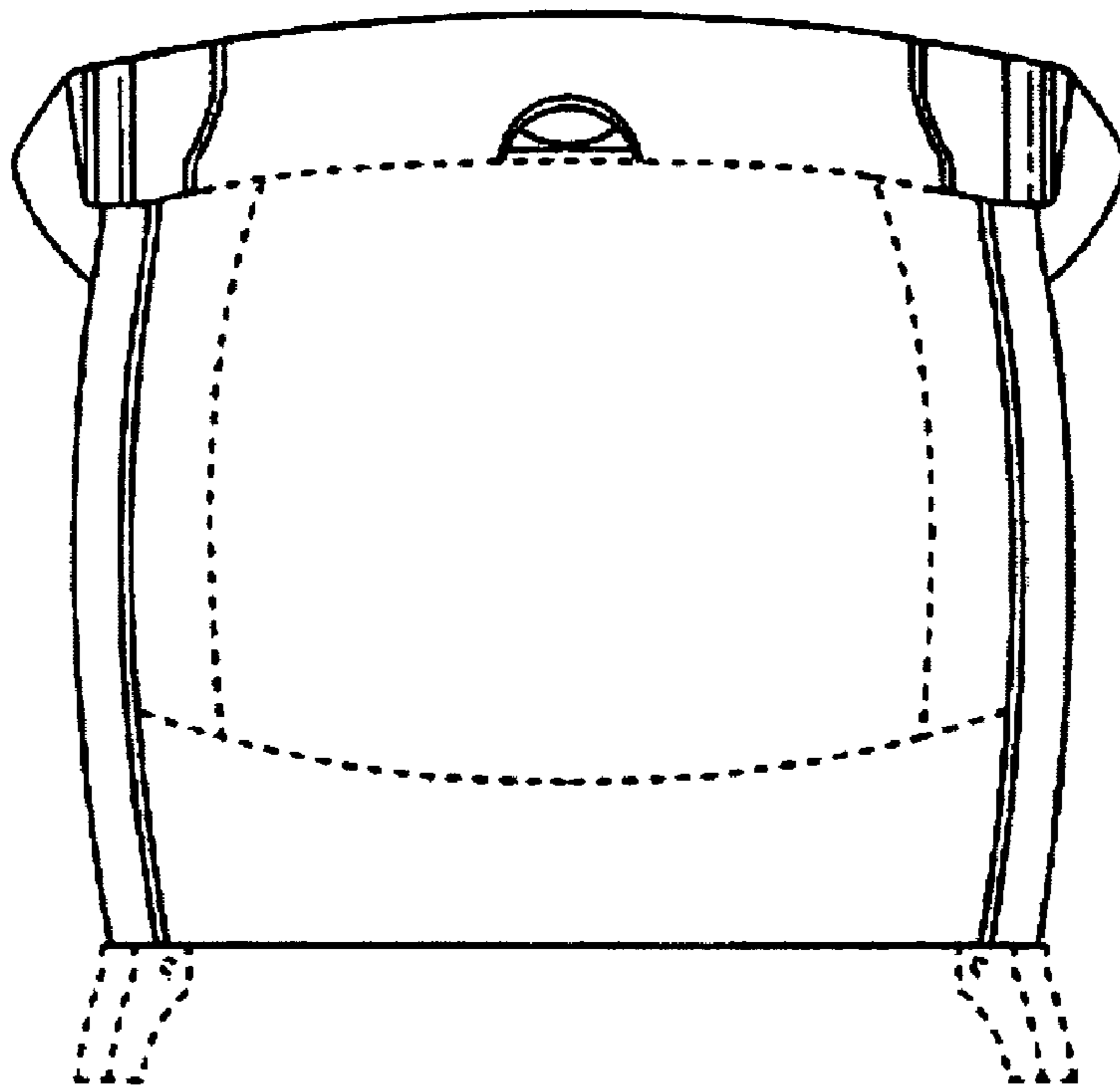


FIG. 2

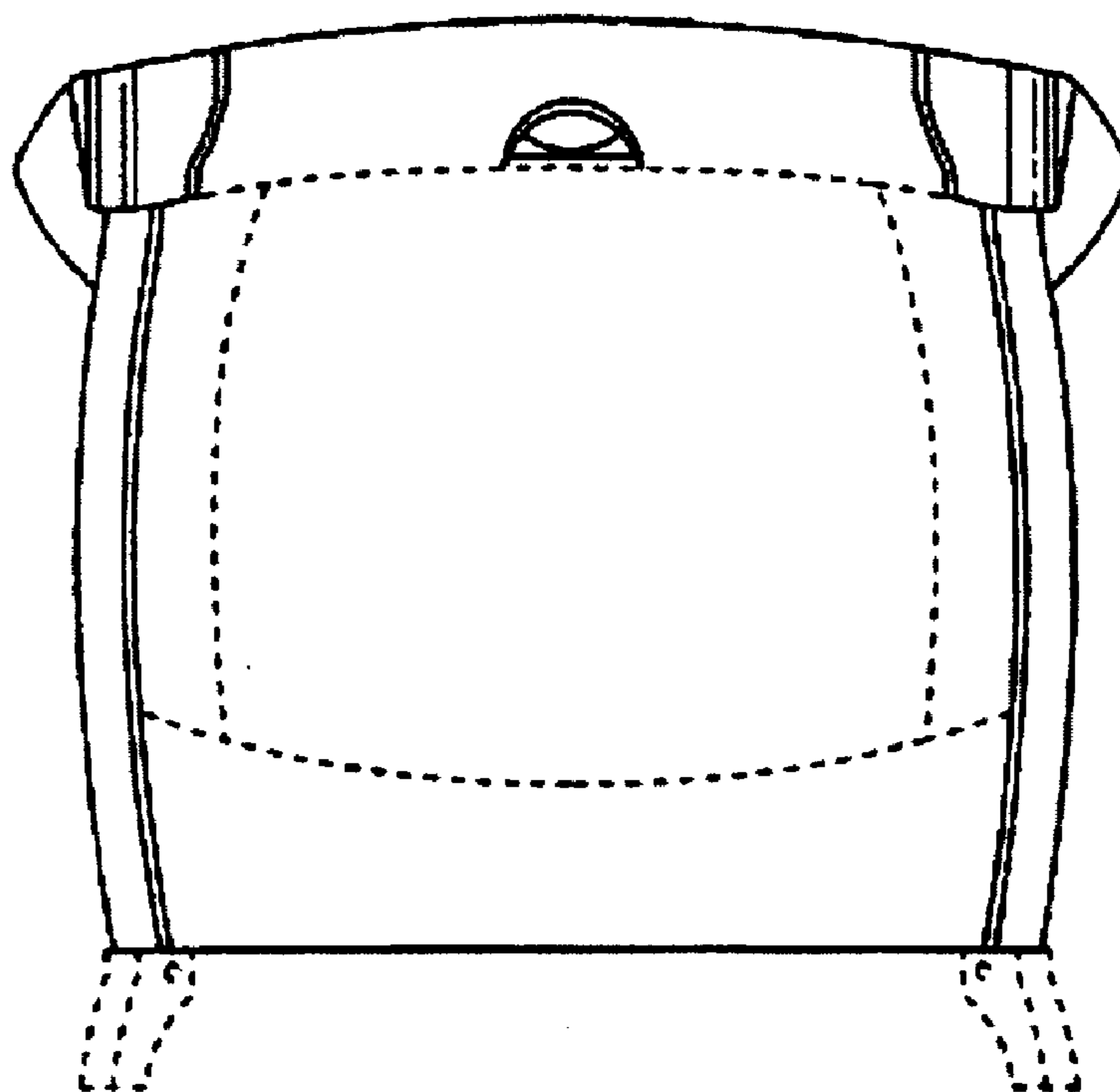


FIG. 3

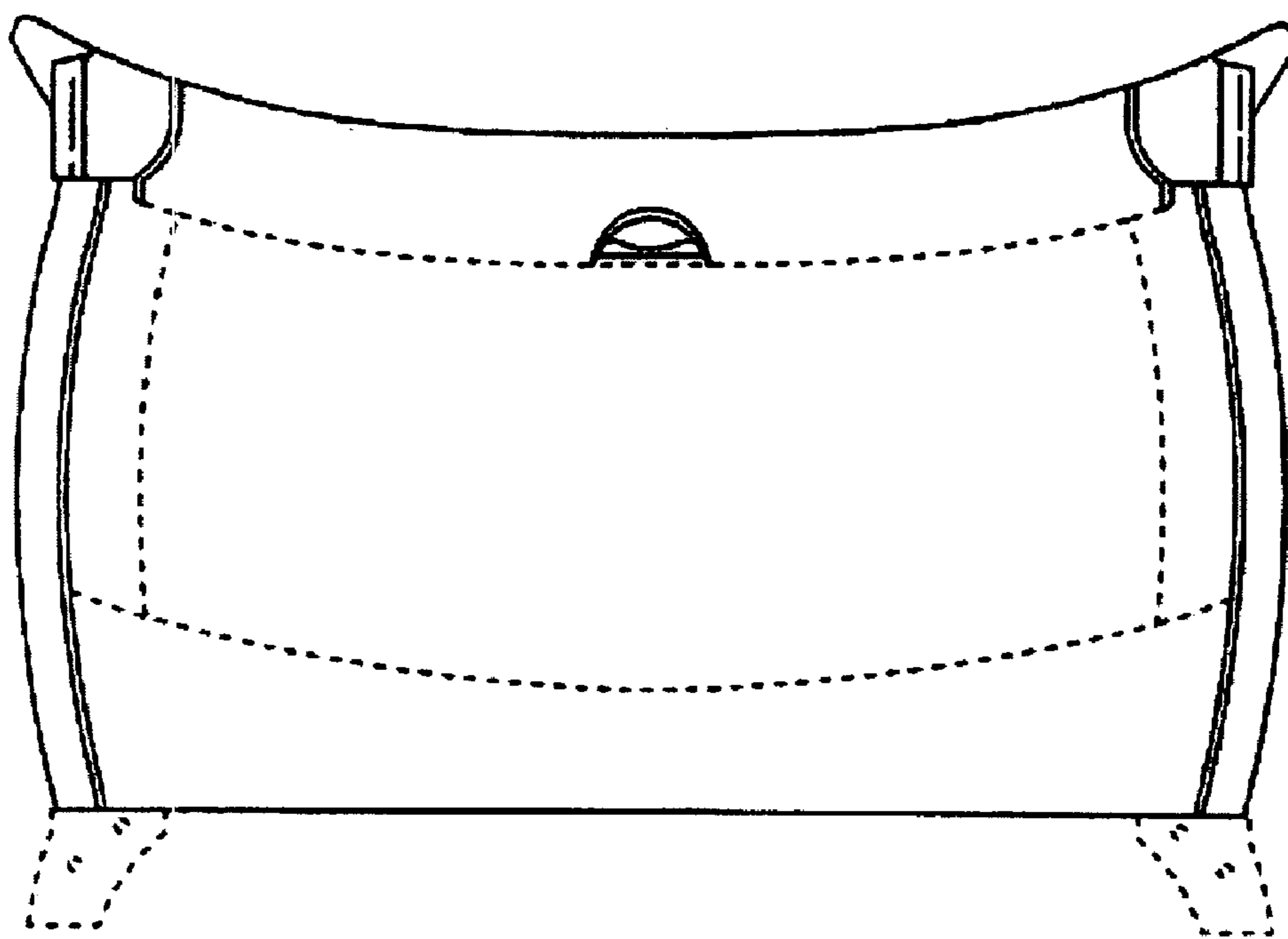


FIG. 4

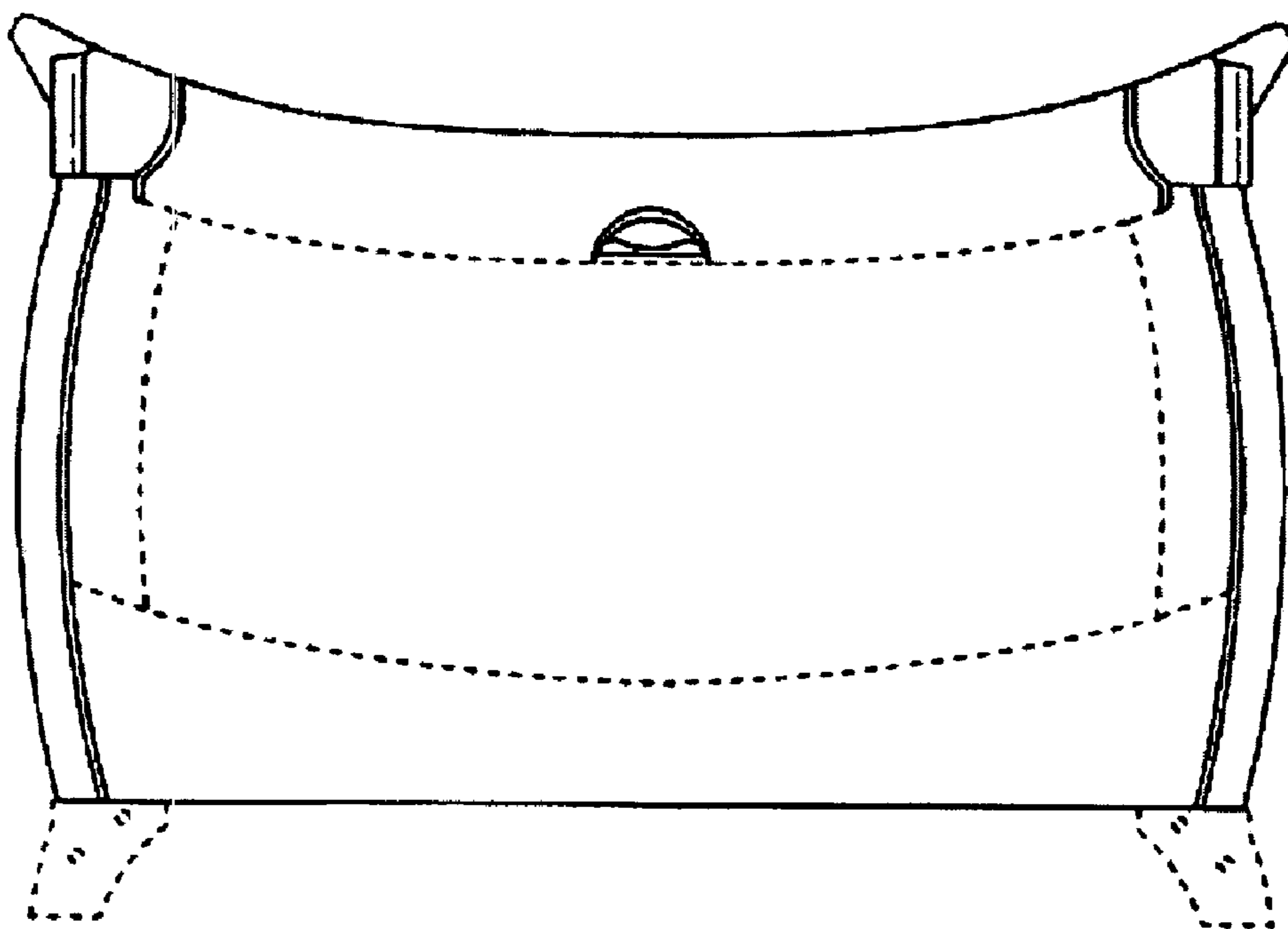


FIG. 5

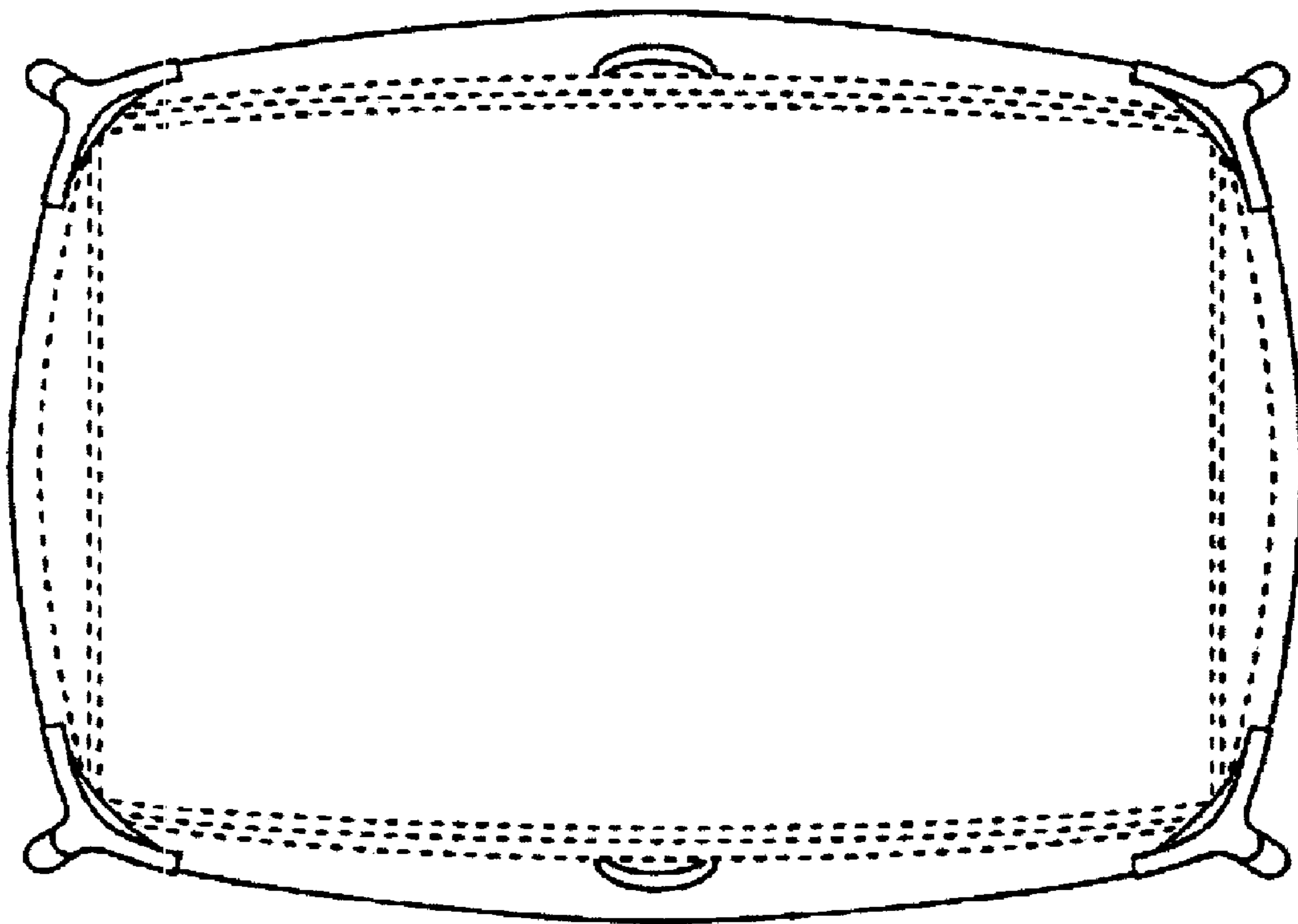


FIG. 6