



US00D557502S

(12) **United States Design Patent**
Quartarone et al.

(10) **Patent No.:** **US D557,502 S**

(45) **Date of Patent:** **** Dec. 18, 2007**

(54) **GOLF BAG DIVIDER TOP**

(75) Inventors: **Frank A. Quartarone**, Phoenix, AZ (US); **Douglas W. Anderson**, Phoenix, AZ (US)

(73) Assignee: **Karsten Manufacturing Corporation**, Phoenix, AZ (US)

(**) Term: **14 Years**

(21) Appl. No.: **29/278,968**

(22) Filed: **Apr. 16, 2007**

(51) **LOC (8) Cl.** **03-01**

(52) **U.S. Cl.** **D3/320**

(58) **Field of Classification Search** D3/318, D3/319, 320, 321, 328, 328.1, 254, 255; 150/159, 160; 211/70.2; 206/315.2, 315.3, 206/315.4, 315.5, 315.6, 315.7, 315.8, 315.11; 280/DIG. 6; 473/287

See application file for complete search history.

(56) **References Cited**

U.S. PATENT DOCUMENTS

| | | | | |
|---------------|---------|----------------|-------|-----------|
| D382,707 S * | 8/1997 | Wang | | D3/255 |
| D389,311 S * | 1/1998 | Wang | | D3/320 |
| 5,871,093 A * | 2/1999 | Sutter | | 206/315.6 |
| 5,971,147 A * | 10/1999 | Sutter | | 206/315.6 |
| 6,149,000 A * | 11/2000 | Kim | | 206/315.6 |
| D513,876 S | 1/2006 | Solheim et al. | | |
| D513,877 S | 1/2006 | Solheim et al. | | |

| | | | | |
|------------------|---------|-----------------|-------|-----------|
| D513,878 S | 1/2006 | Anderson et al. | | |
| D520,752 S | 5/2006 | Solheim et al. | | |
| D522,754 S | 6/2006 | Anderson | | |
| D530,922 S | 10/2006 | Anderson | | |
| D538,042 S | 3/2007 | Suggs | | |
| 2001/0025802 A1* | 10/2001 | Sutter et al. | | 206/315.3 |

* cited by examiner

Primary Examiner—Gary D. Watson

Assistant Examiner—Monica A Weingart

(74) *Attorney, Agent, or Firm*—Darrell F. Marquette

(57) **CLAIM**

The ornamental design for a golf bag divider top, as shown and described.

DESCRIPTION

FIG. 1 is a perspective view of a golf bag divider top showing our new design;

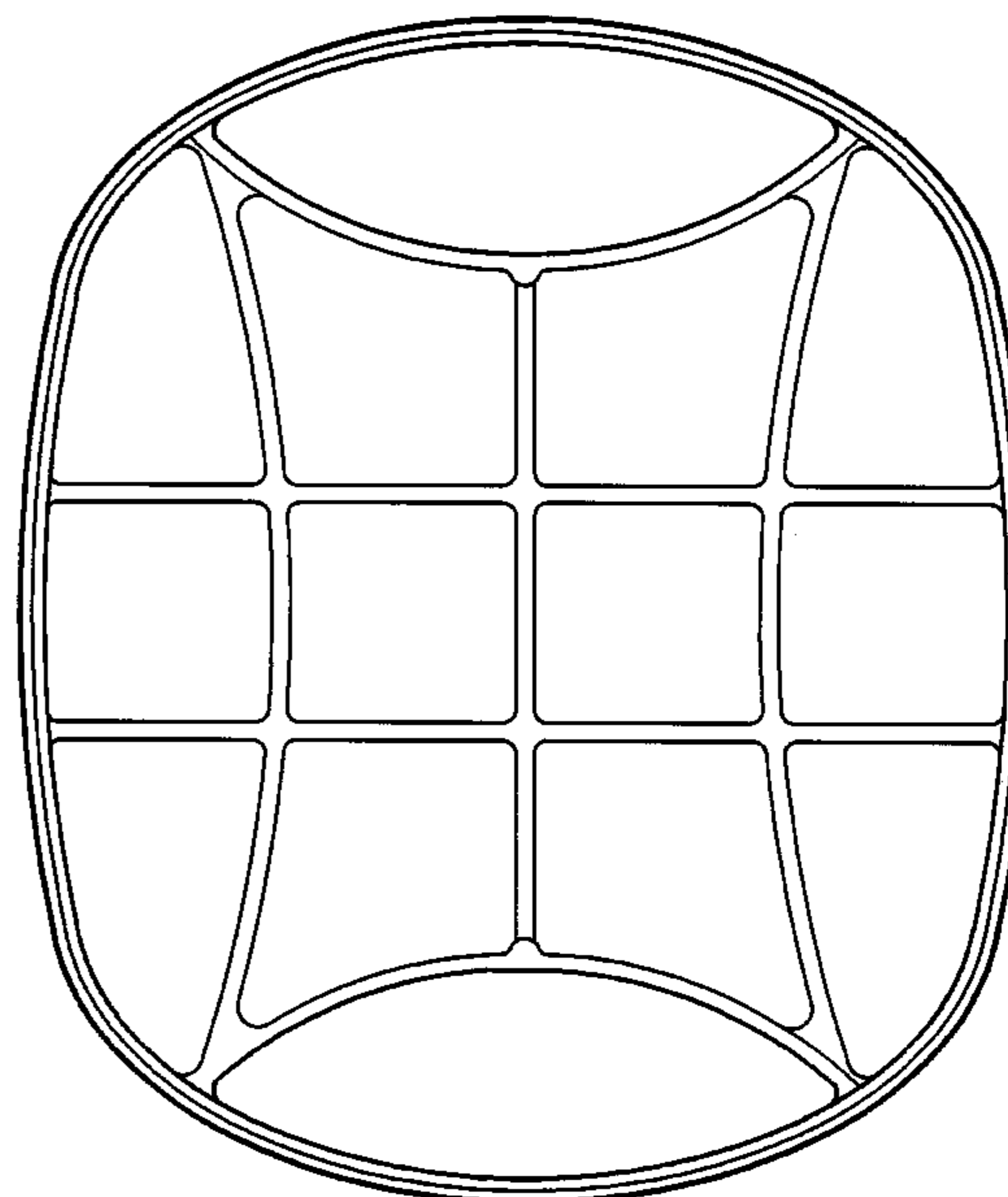
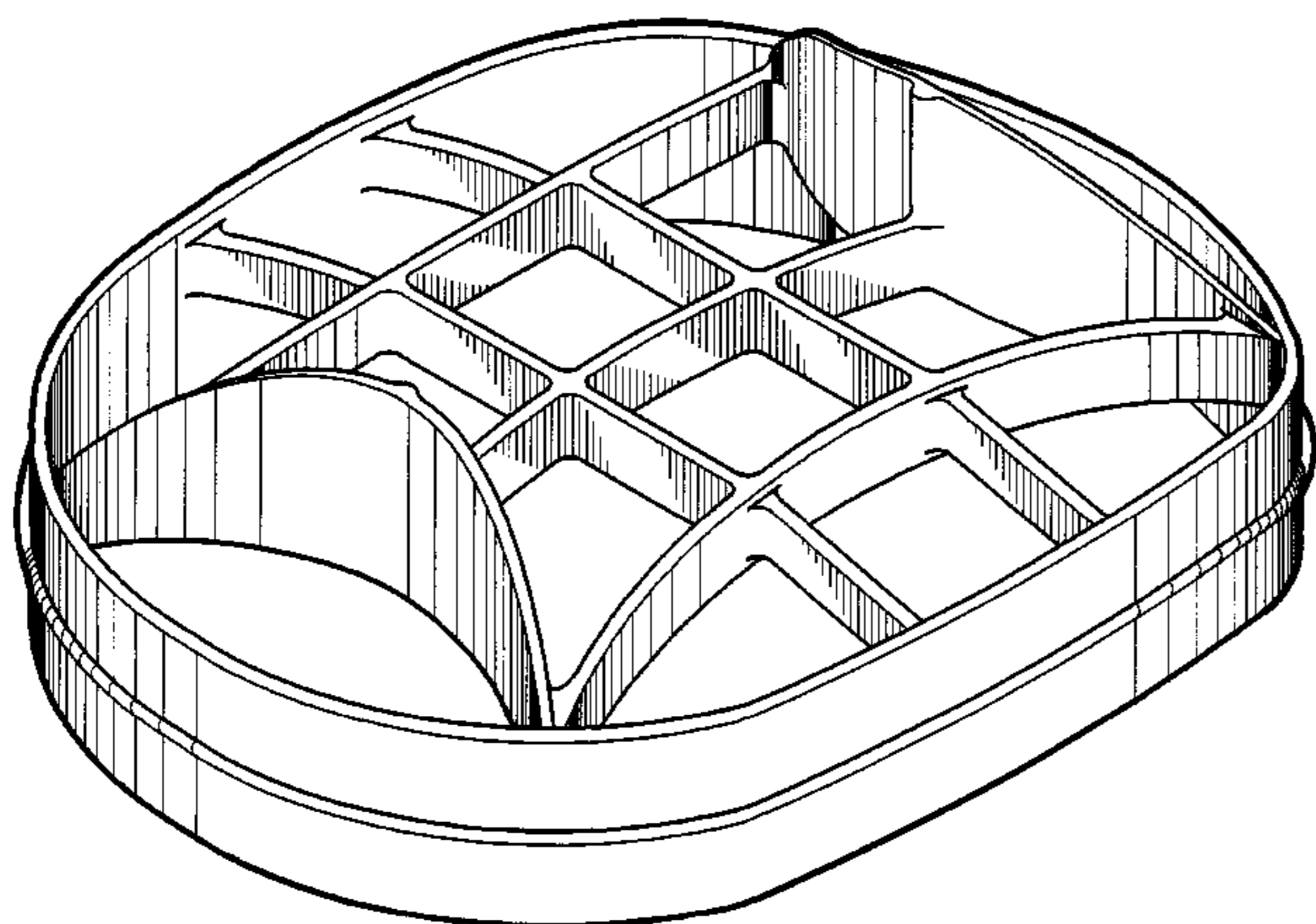
FIG. 2 is a top view of the golf bag divider top shown in FIG. 1;

FIG. 3 is a bottom view of the golf bag divider top shown in FIG. 1.

FIG. 4 is end view of the golf bag divider top taken from the top in FIG. 2, the end view taken from the bottom in FIG. 2 being identical; and,

FIG. 5 is a side view of the golf bag divider top taken from the right in FIG. 2, the side view taken from the left in FIG. 2 being identical.

1 Claim, 4 Drawing Sheets



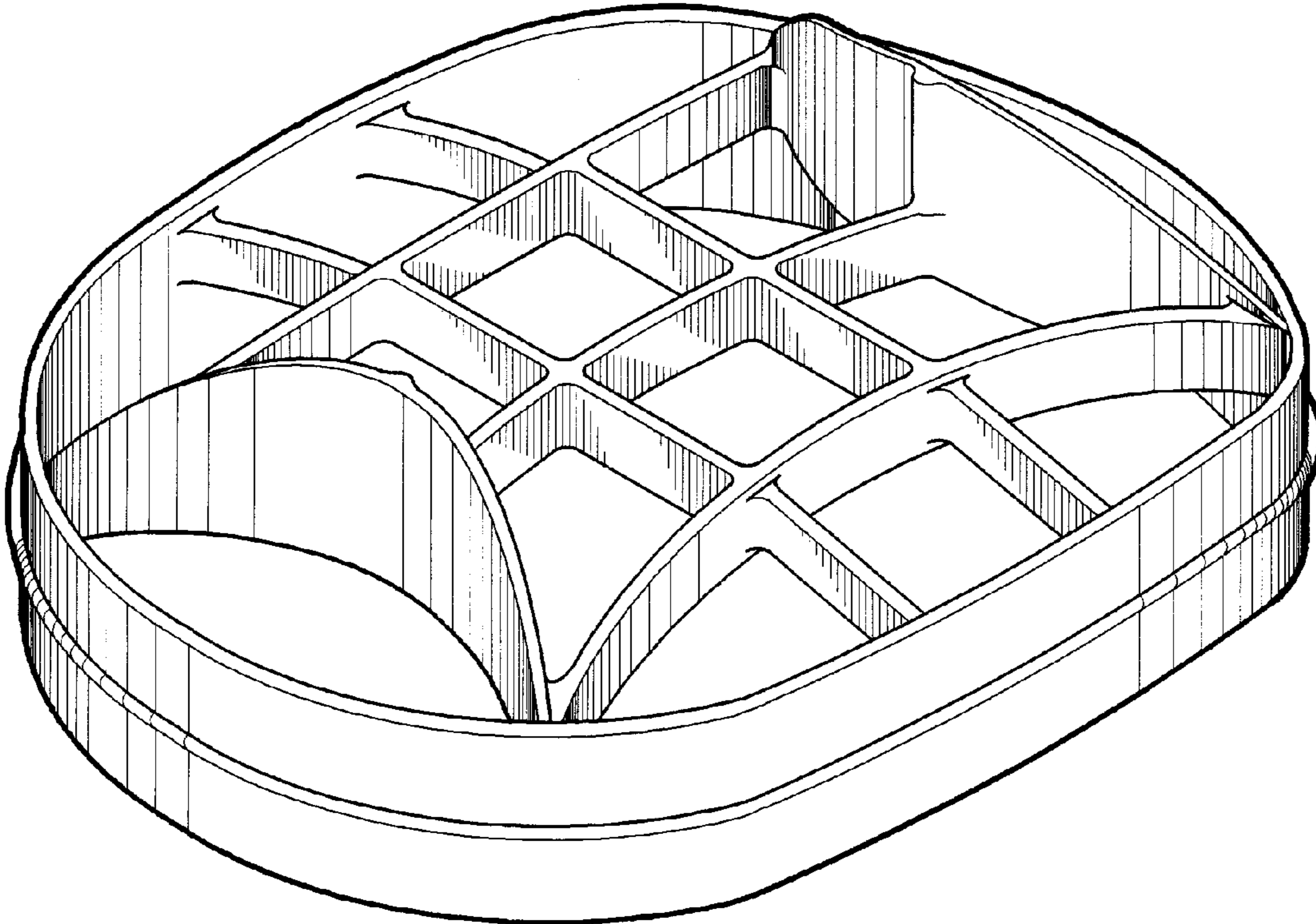


Fig. 1

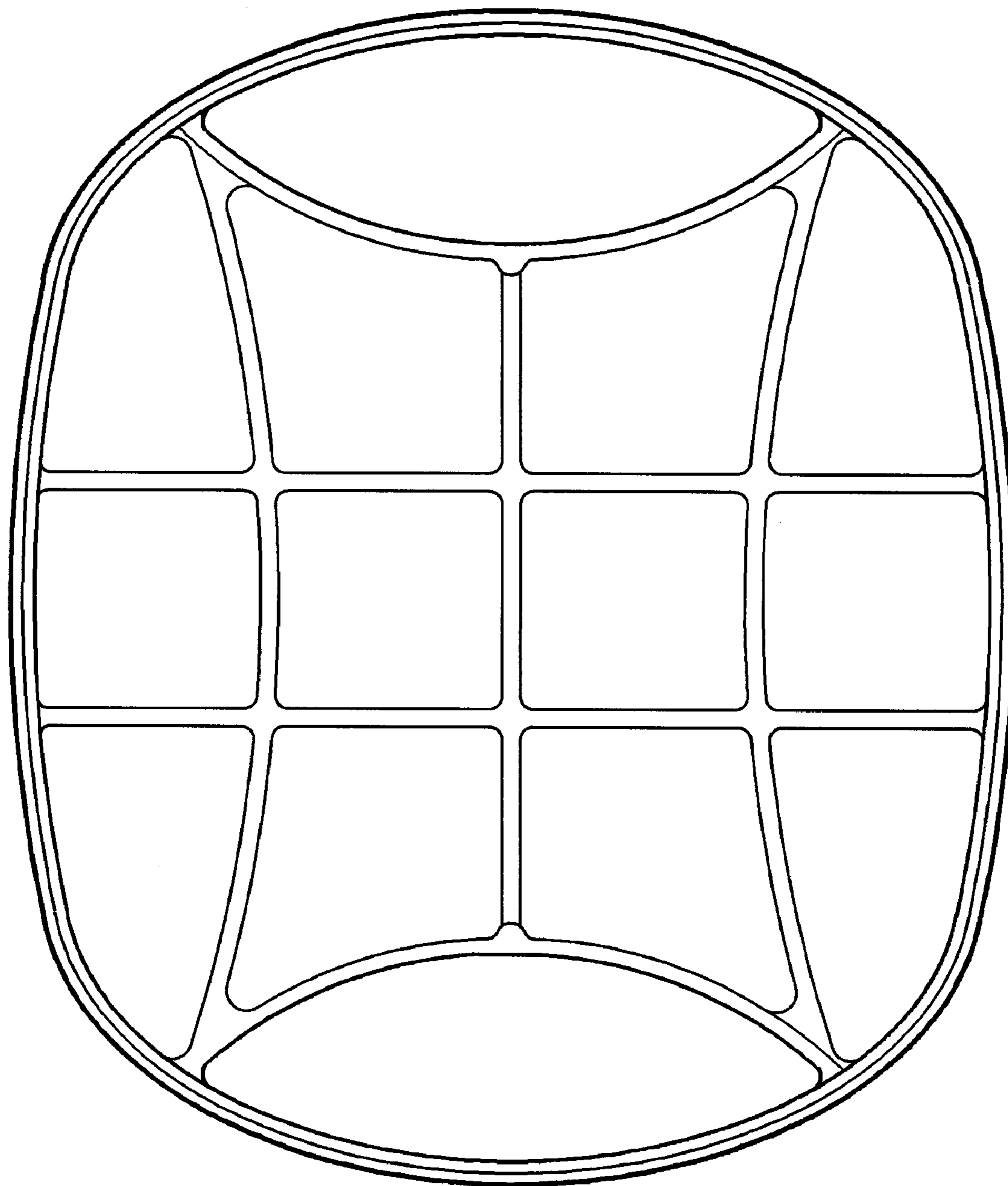


Fig. 2

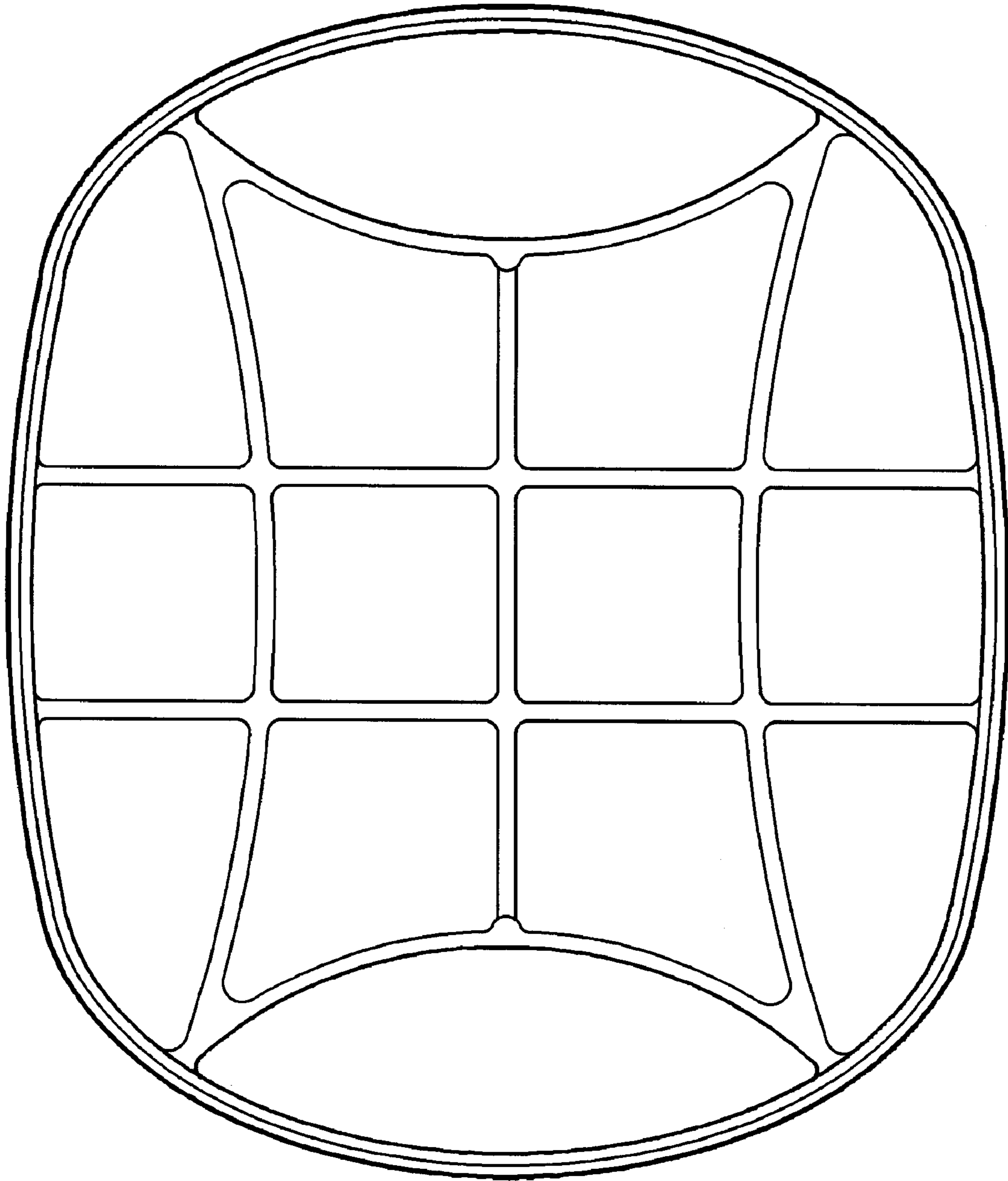


Fig. 3

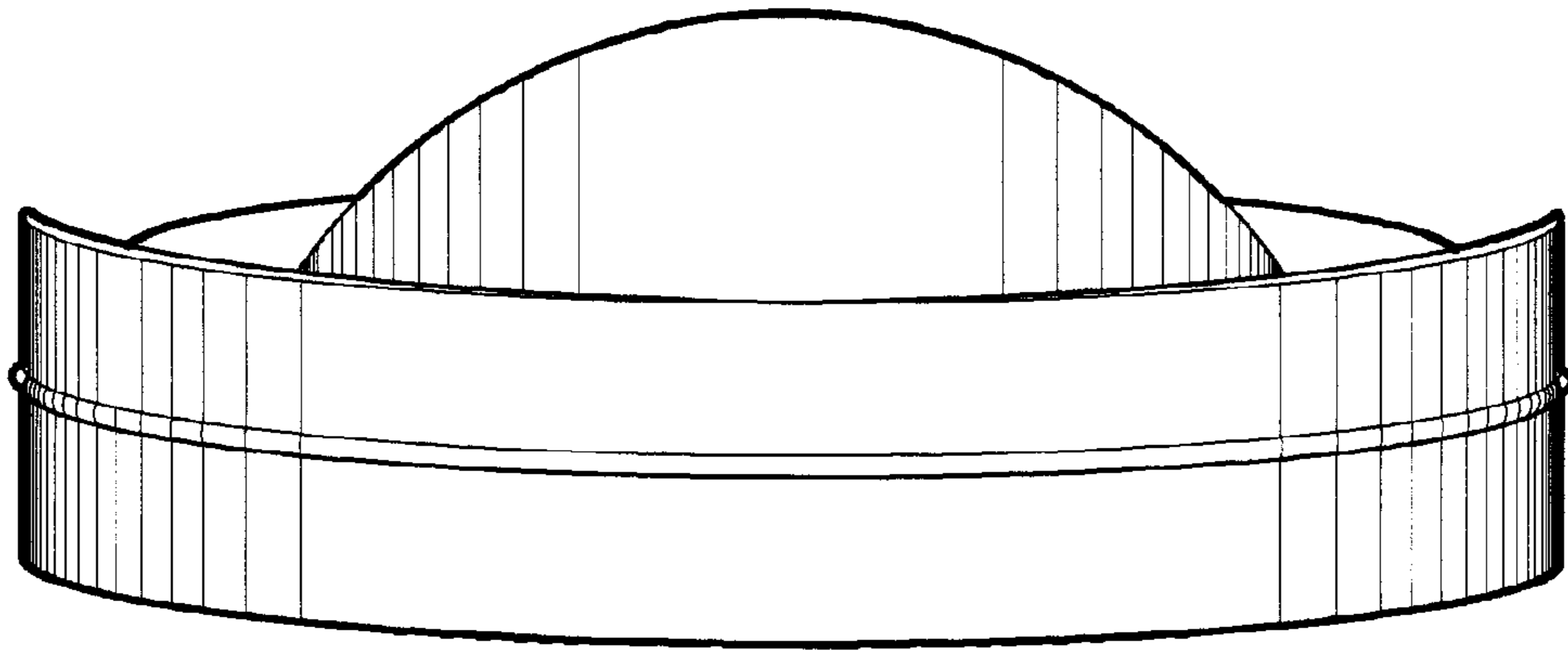


Fig. 4

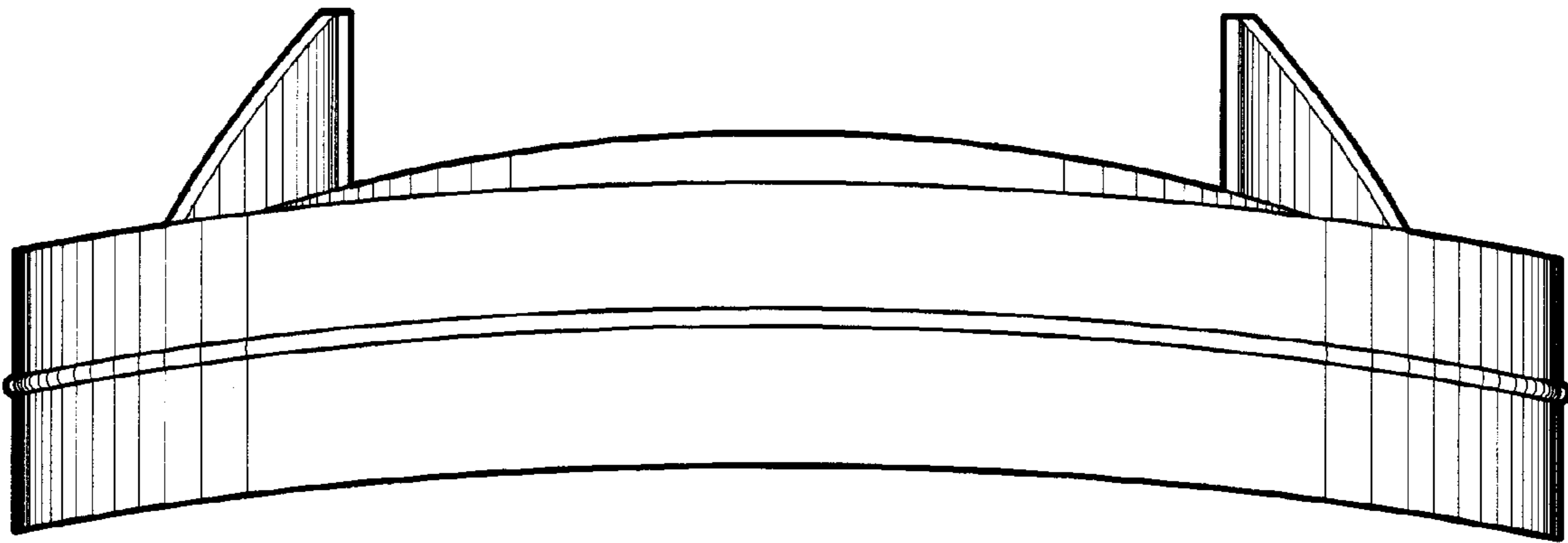


Fig. 5