



US00D557500S

(12) **United States Design Patent**
Bell et al.

(10) **Patent No.: US D557,500 S**

(45) **Date of Patent: ** Dec. 18, 2007**

(54) **CONTAINER FOR BANKNOTES**

(75) Inventors: **Malcom Reginald Hallas Bell**, Leeds (GB); **Graham Jones**, Blackpool (GB)

(73) Assignee: **Money Controls Limited**, Royton, Oldham (GB)

(**) Term: **14 Years**

(21) Appl. No.: **29/256,876**

(22) Filed: **Mar. 27, 2006**

(30) **Foreign Application Priority Data**

Sep. 27, 2000 (EM) 000409040

(51) **LOC (8) Cl.** **03-01**

(52) **U.S. Cl.** **D3/314**

(58) **Field of Classification Search** D3/303-315;
D19/76; 220/766-769, 797; D6/525; D21/783;
D24/101; D12/407; D32/37, 55; 206/509;
D9/425, 431; 229/122.26, 178

See application file for complete search history.

(56) **References Cited**

U.S. PATENT DOCUMENTS

D9,739	S	*	2/1877	Bill	D9/431
1,935,920	A	*	11/1933	Schultz	206/509
D149,809	S	*	6/1948	Gordon	D3/314
2,457,043	A	*	12/1948	Histand	220/592.2
2,780,385	A	*	2/1957	Tupper	220/797
D248,621	S	*	7/1978	Hay et al.	D9/431
4,373,642	A	*	2/1983	Wolters et al.	220/659
D268,622	S	*	4/1983	Wolters et al.	D3/314

D276,286	S	*	11/1984	Evans	D3/321
D284,944	S	*	8/1986	Carlson	D9/425
4,645,122	A	*	2/1987	Nederveld	206/509
5,305,902	A	*	4/1994	Vozick	220/23.4
5,335,844	A	*	8/1994	Young	229/122.26
5,458,283	A	*	10/1995	Southwell et al.	229/178
D436,729	S	*	1/2001	Aiken	D3/304

* cited by examiner

Primary Examiner—Louis S. Zarfas

Assistant Examiner—Eric L. Goodman

(74) *Attorney, Agent, or Firm*—Chadbourne & Parke, LLP

(57) **CLAIM**

We claim the ornamental design for a container for banknotes, as shown and described.

DESCRIPTION

FIG. 1 is a perspective view of the container of the subject invention when closed, from one end, right and above;

FIG. 2 is a perspective view of the container of the subject invention when open, from one end, right and above;

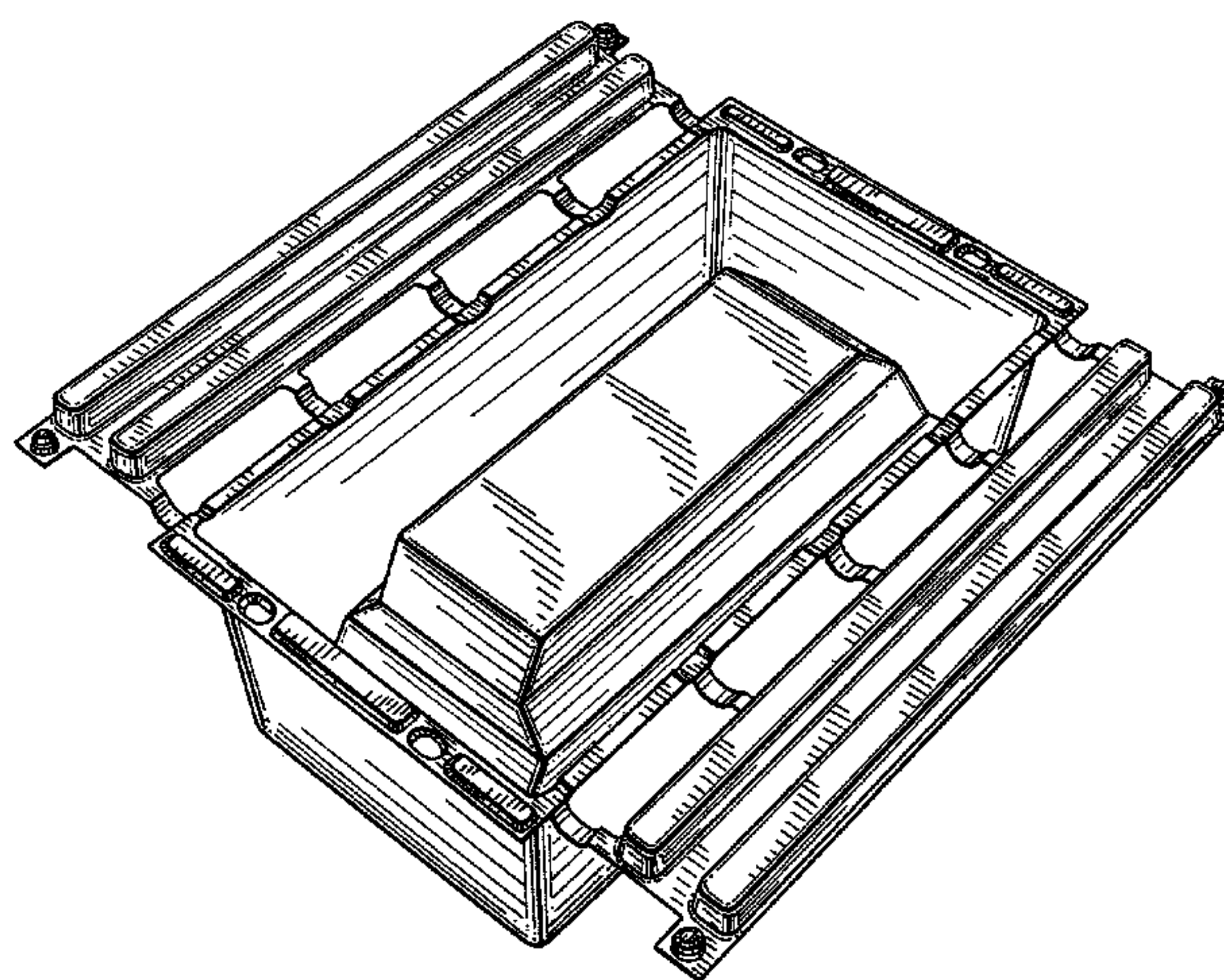
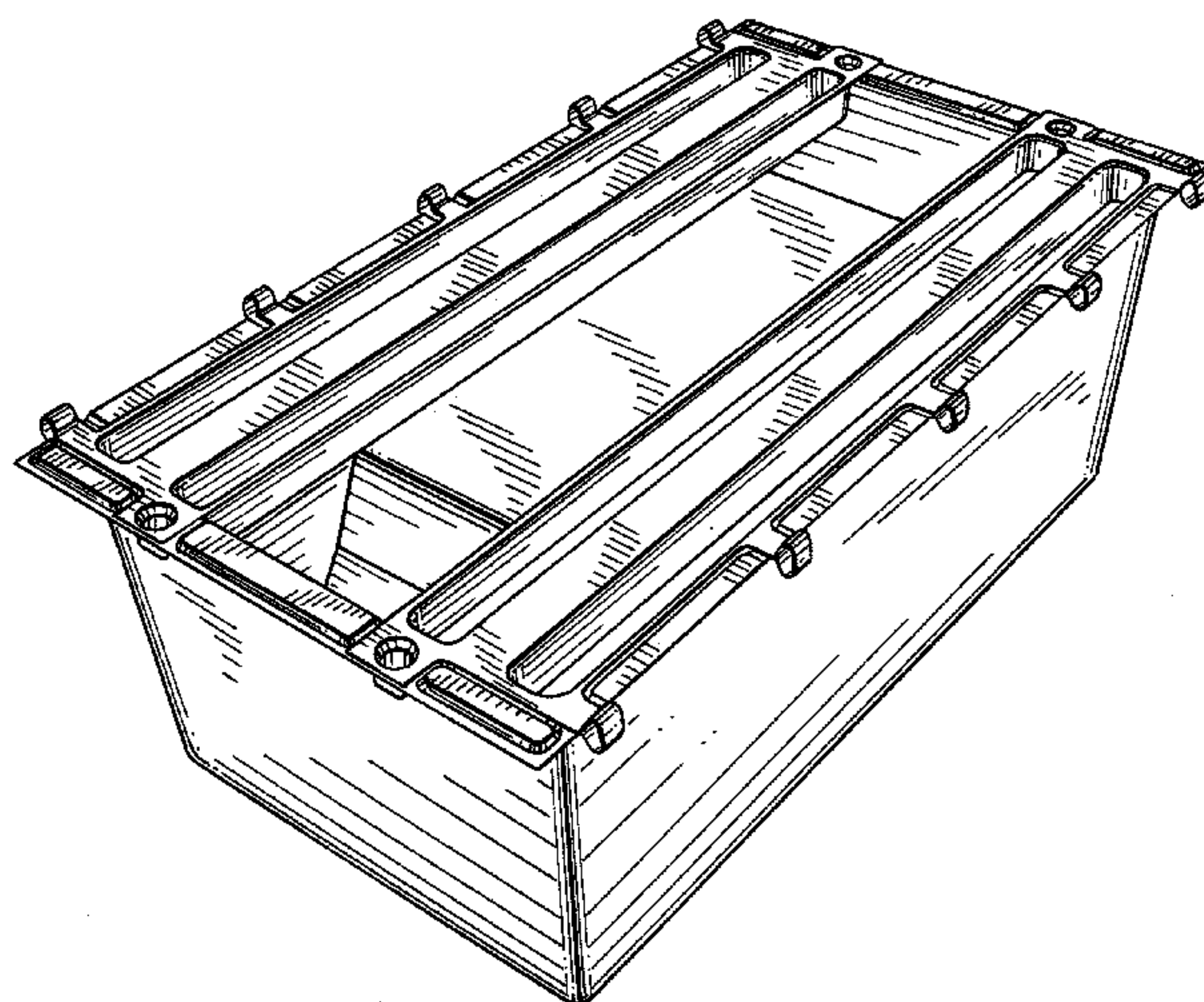
FIG. 3 is a plan view of the container of the subject invention when open, from above;

FIG. 4 is a perspective view of the container of the subject invention when open, from one end and below;

FIG. 5 is a side view of the container of the subject invention when open; and,

FIG. 6 is an end view of the container of the subject invention when open.

1 Claim, 6 Drawing Sheets



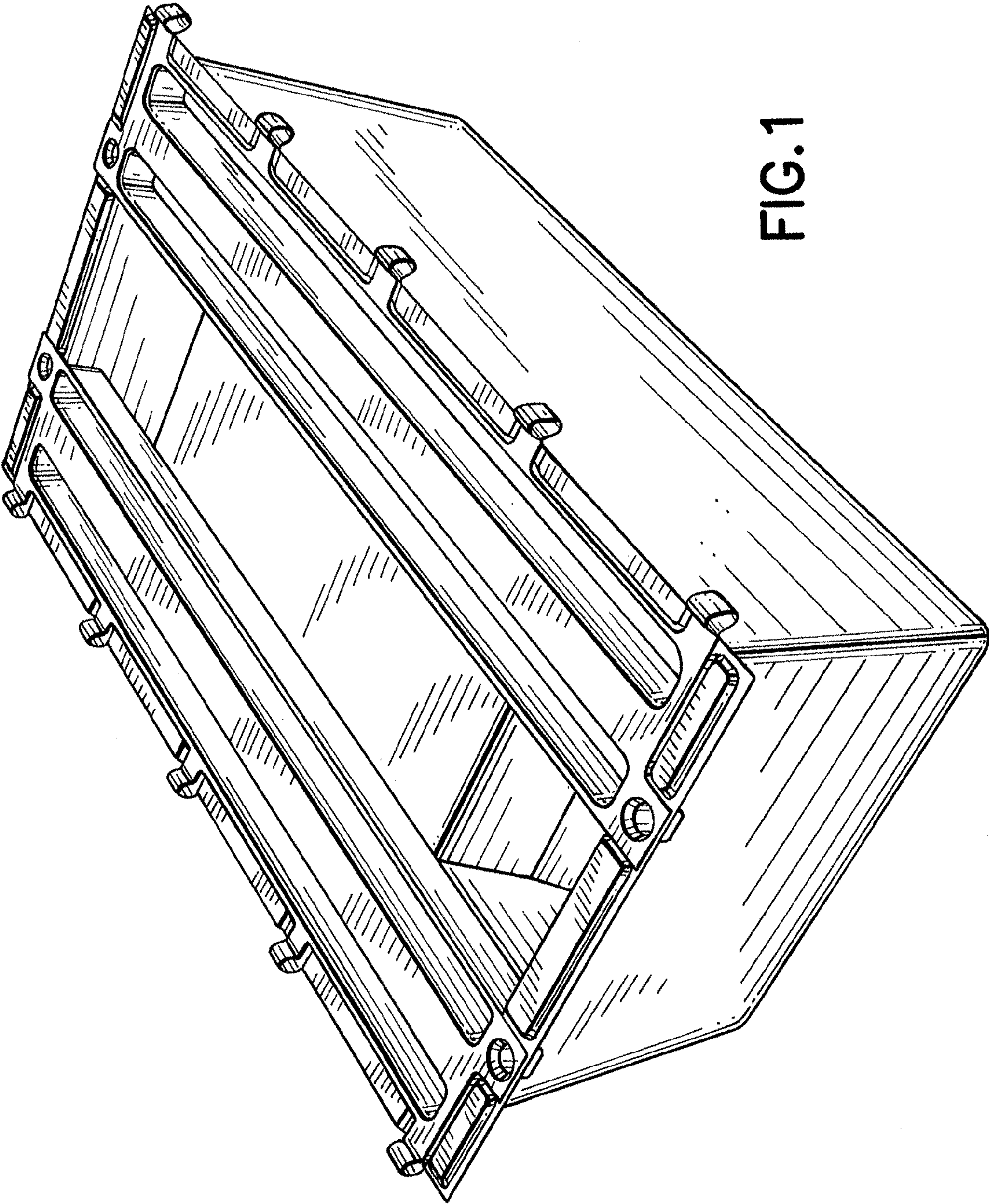


FIG. 1

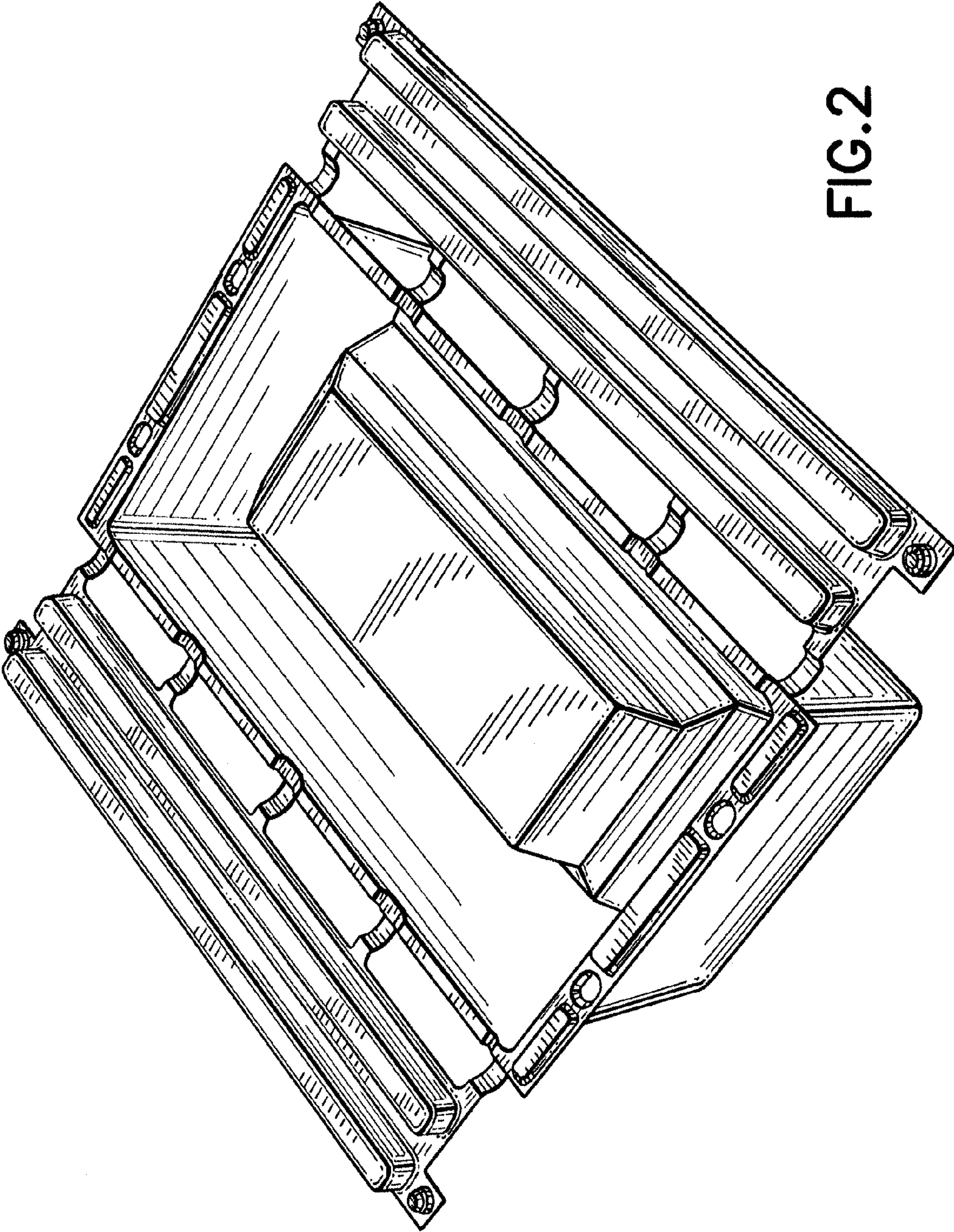


FIG. 2

FIG. 3

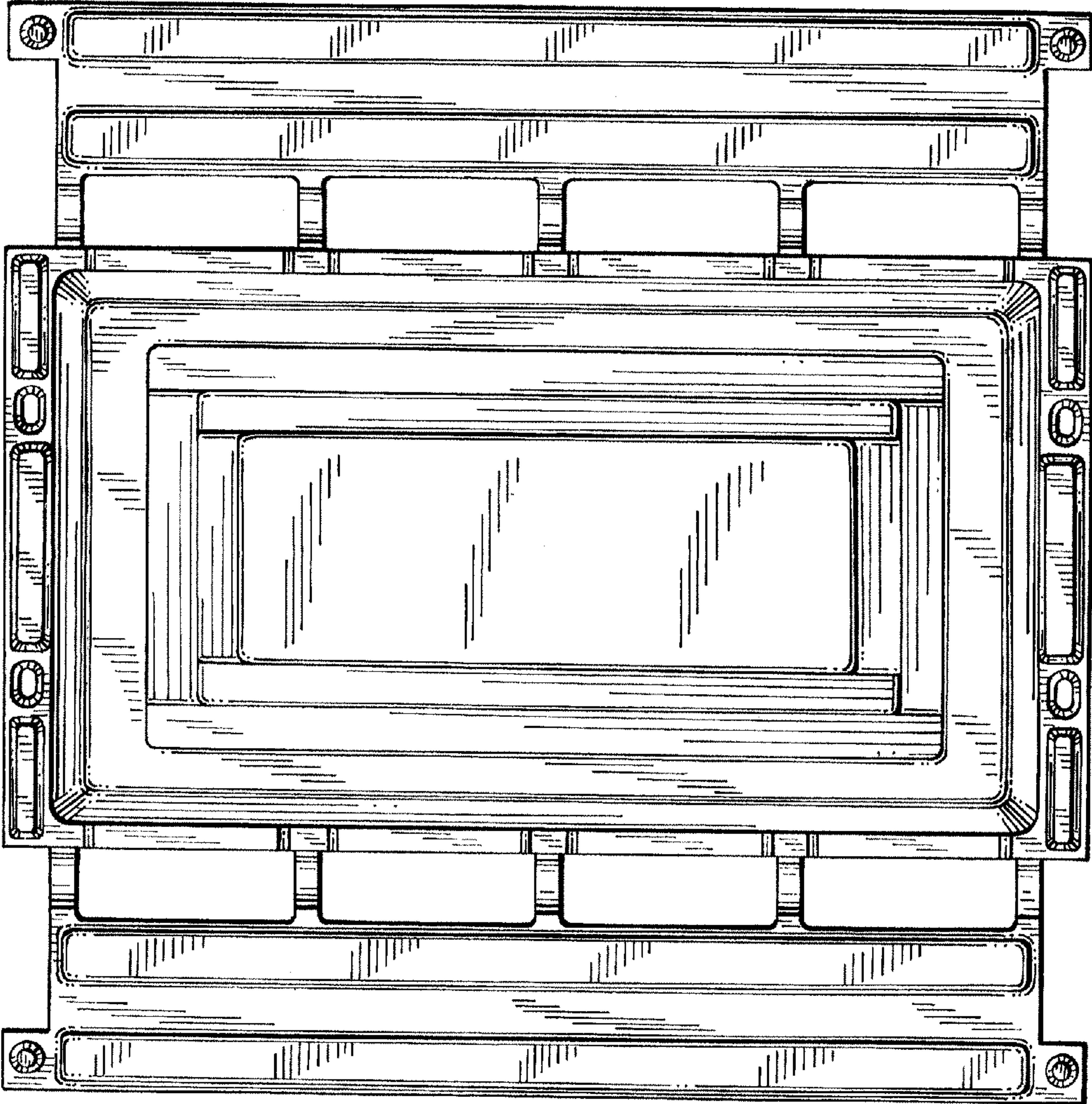
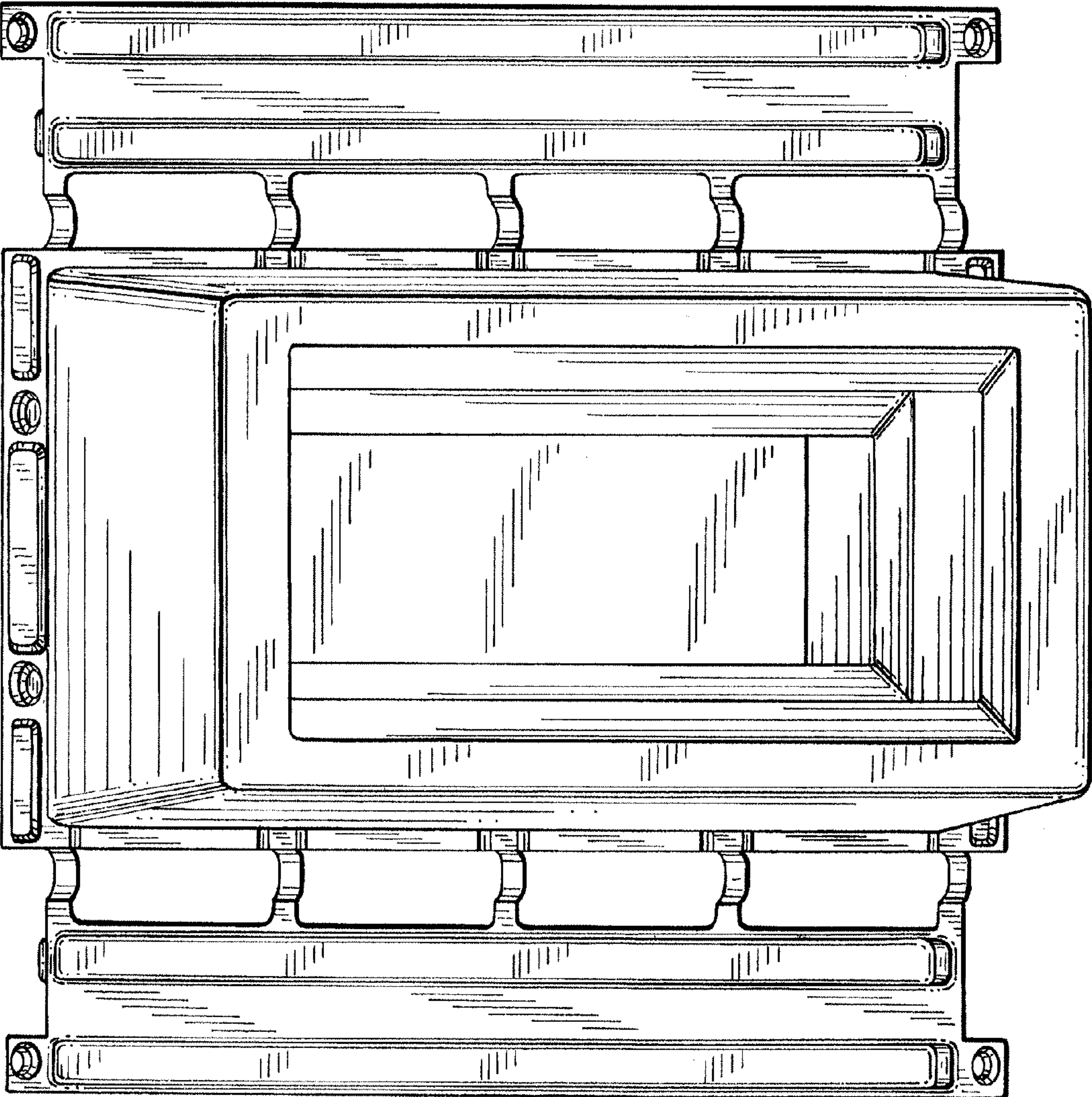


FIG. 4



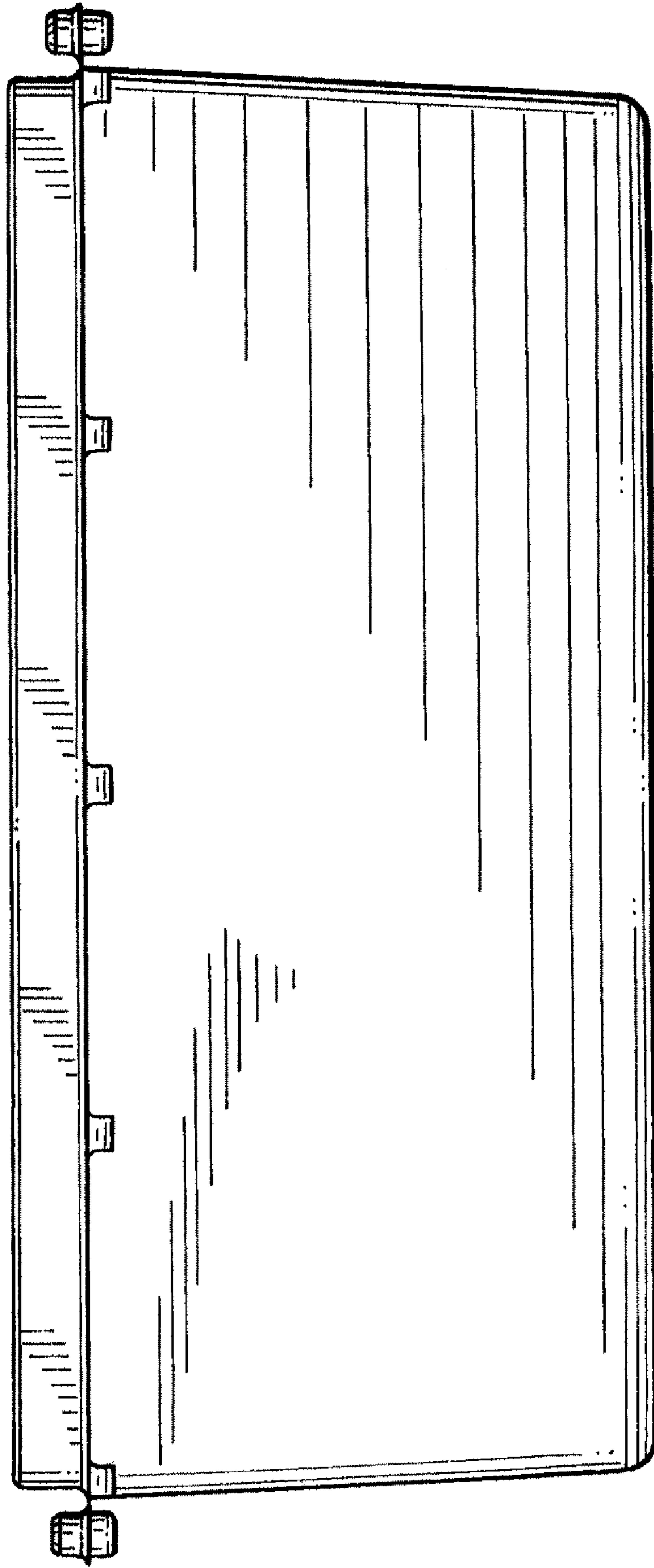


FIG. 5

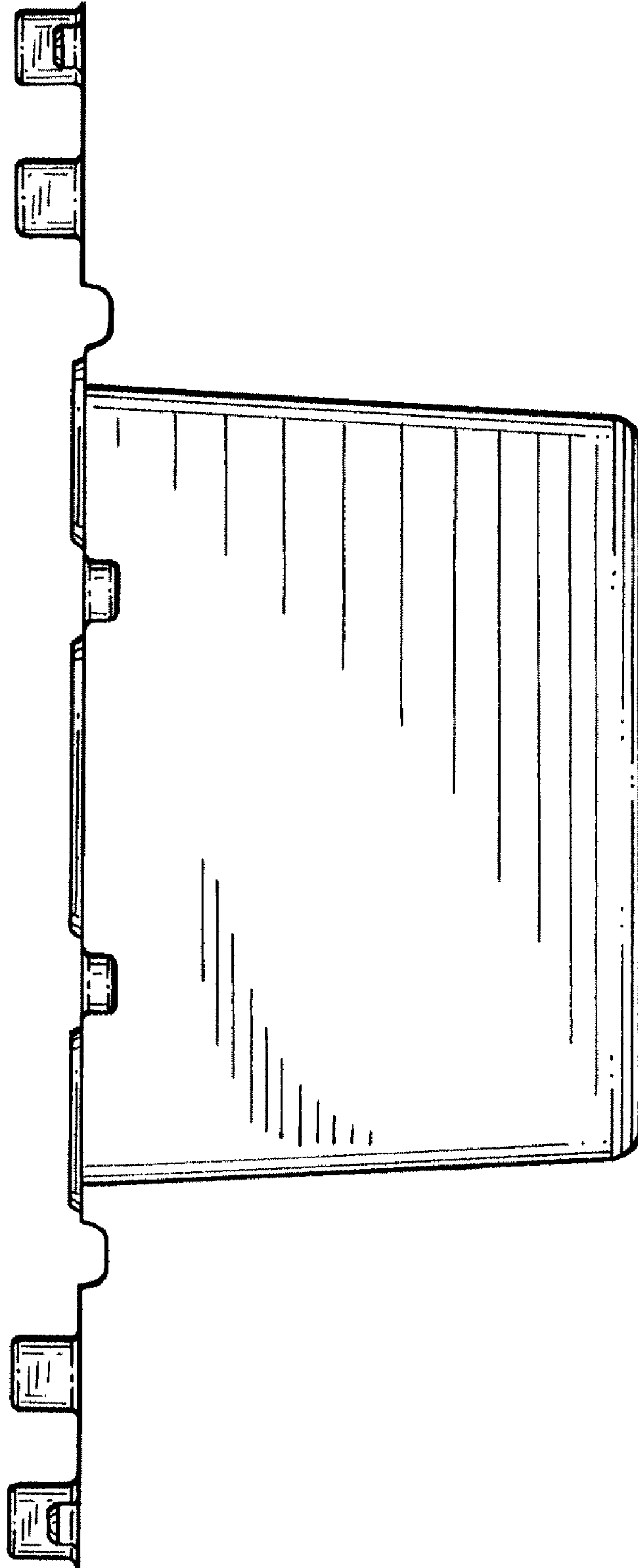


FIG. 6