



US00D557498S

(12) **United States Design Patent**
Beck

(10) **Patent No.:** **US D557,498 S**

(45) **Date of Patent:** **** Dec. 18, 2007**

(54) **STORAGE CONTAINER**

(76) Inventor: **Daniel Beck**, 418 E. Elm St., Durand,
IL (US) 61024

(**) Term: **14 Years**

(21) Appl. No.: **29/259,346**

(22) Filed: **May 8, 2006**

(51) **LOC (8) Cl.** **03-01**

(52) **U.S. Cl.** **D3/271.1; D3/271.8**

(58) **Field of Classification Search** **D3/270,**
D3/271.1, 271.8, 272-273, 294, 903, 905;
D6/434; D1/104, 106, 115; D30/112; 312/204
See application file for complete search history.

(56) **References Cited**

U.S. PATENT DOCUMENTS

4,466,535	A	*	8/1984	Huson	206/83.5
D323,062	S	*	1/1992	Slater	D3/205
D345,464	S	*	3/1994	Coronel	D3/295
D370,998	S	*	6/1996	Butler	D3/270
5,665,409	A	*	9/1997	Drewry	426/132

D474,688	S	*	5/2003	Litts	D3/295
D511,041	S	*	11/2005	Sakaguchi	D3/294
D530,916	S	*	10/2006	Sakaguchi	D3/294
D531,800	S	*	11/2006	Sakaguchi	D3/294

* cited by examiner

Primary Examiner—Philip S. Hyder
Assistant Examiner—RoseLynne (Ulm) Cody

(57) **CLAIM**

The ornamental design for a storage container, as shown and described.

DESCRIPTION

FIG. 1 is a perspective view showing my new design.

FIG. 2 is a top plan view thereof.

FIG. 3 is a front elevation view thereof, the back view being a mirror image thereof; and,

FIG. 4 is a right side elevation view thereof, the left side being a mirror image thereof.

1 Claim, 2 Drawing Sheets

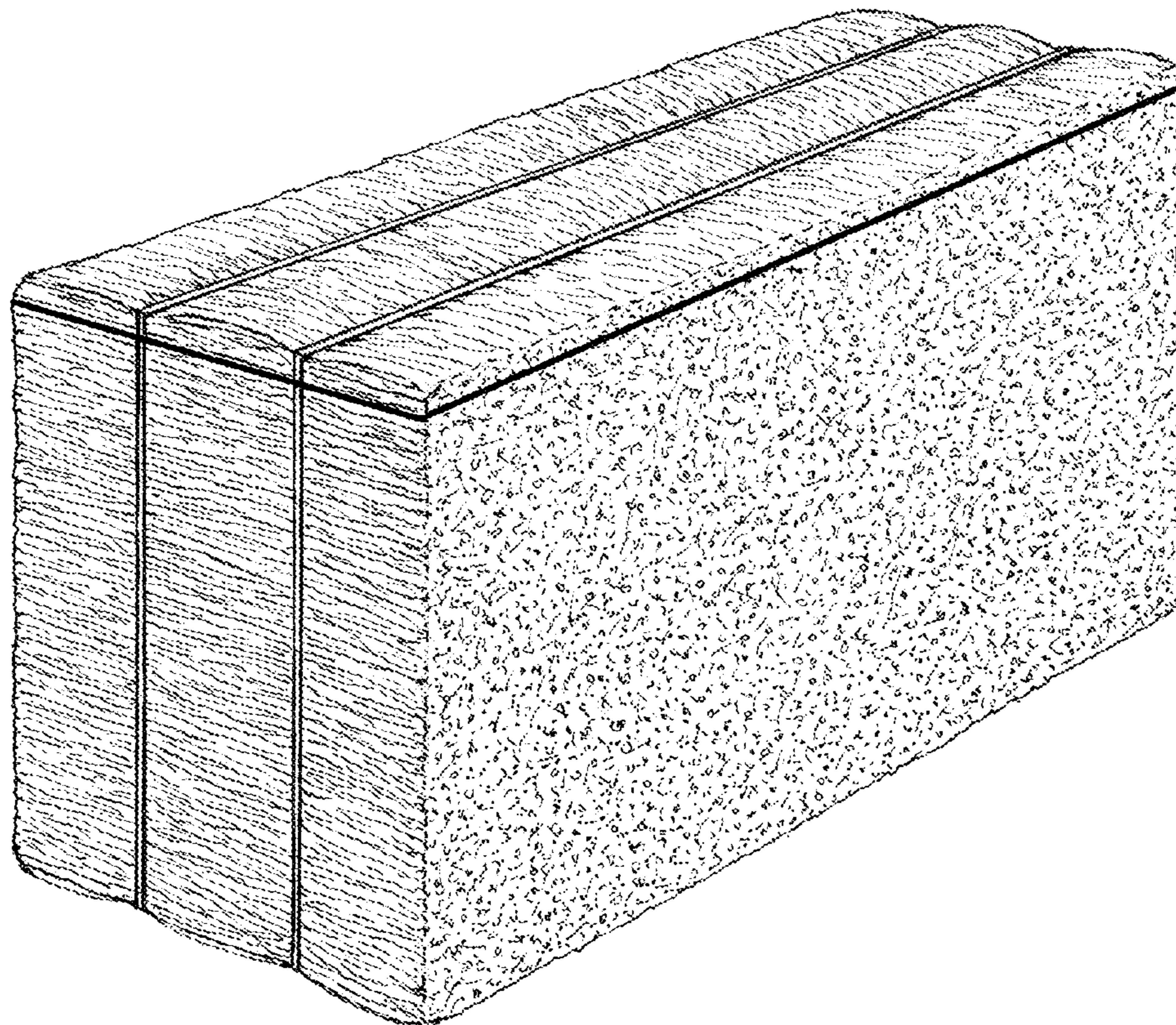


FIG. 1

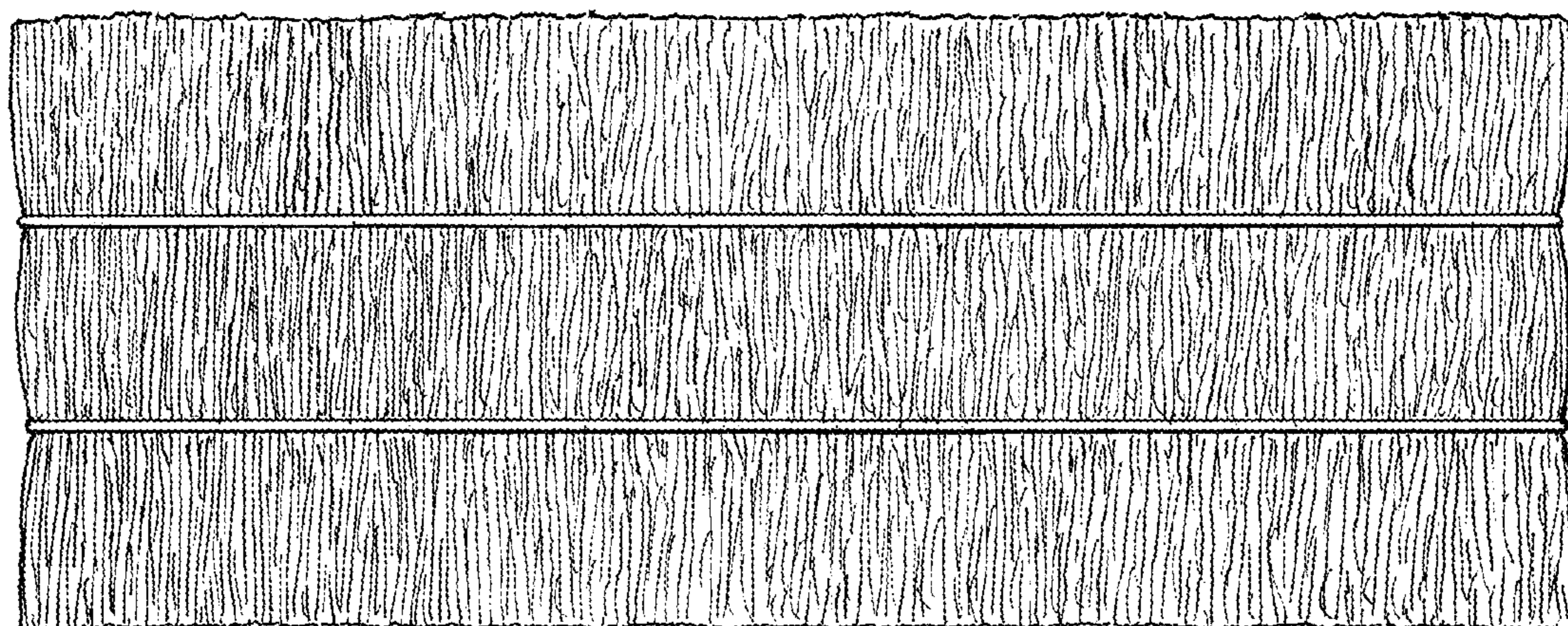
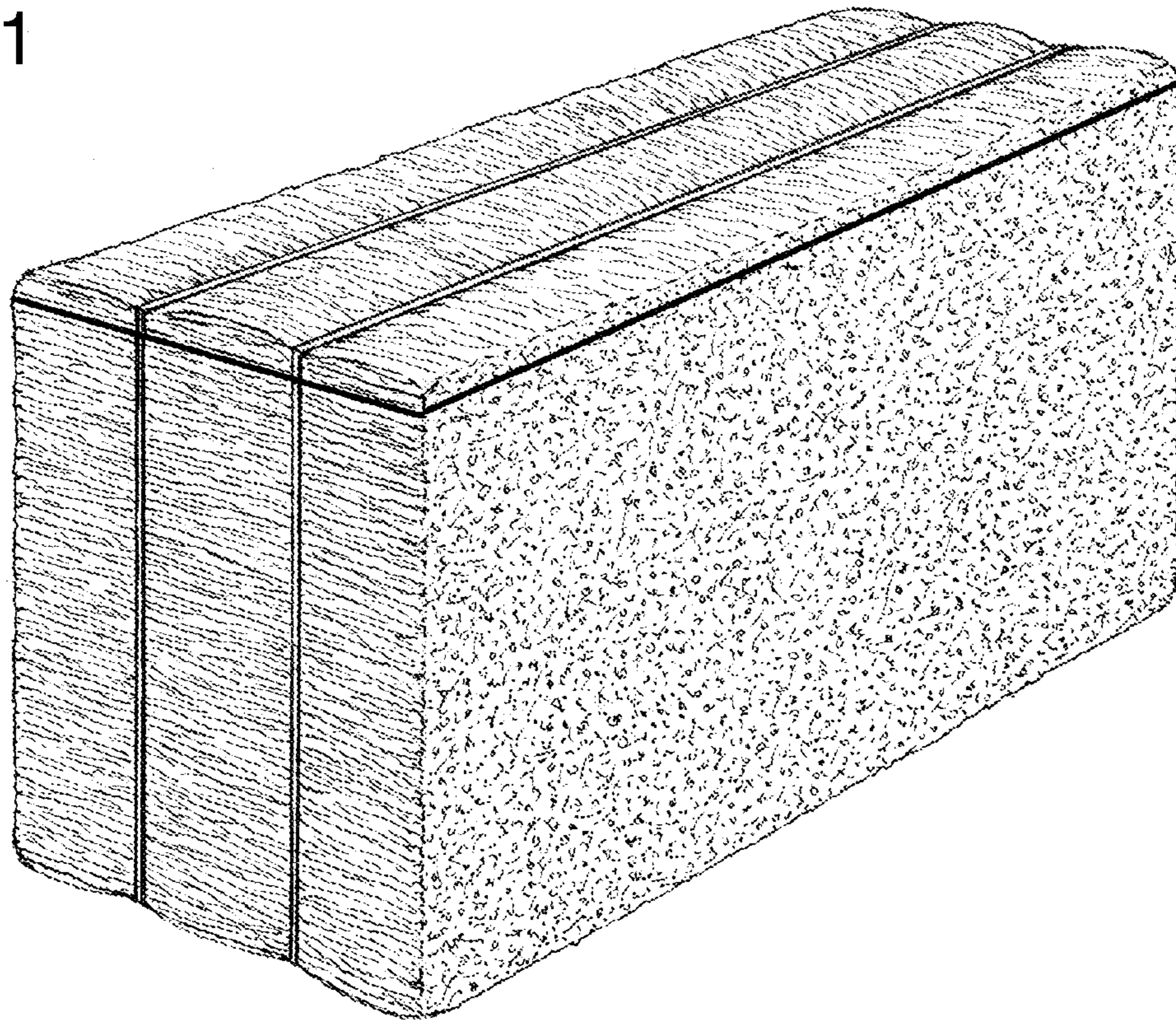


FIG. 2

FIG. 3

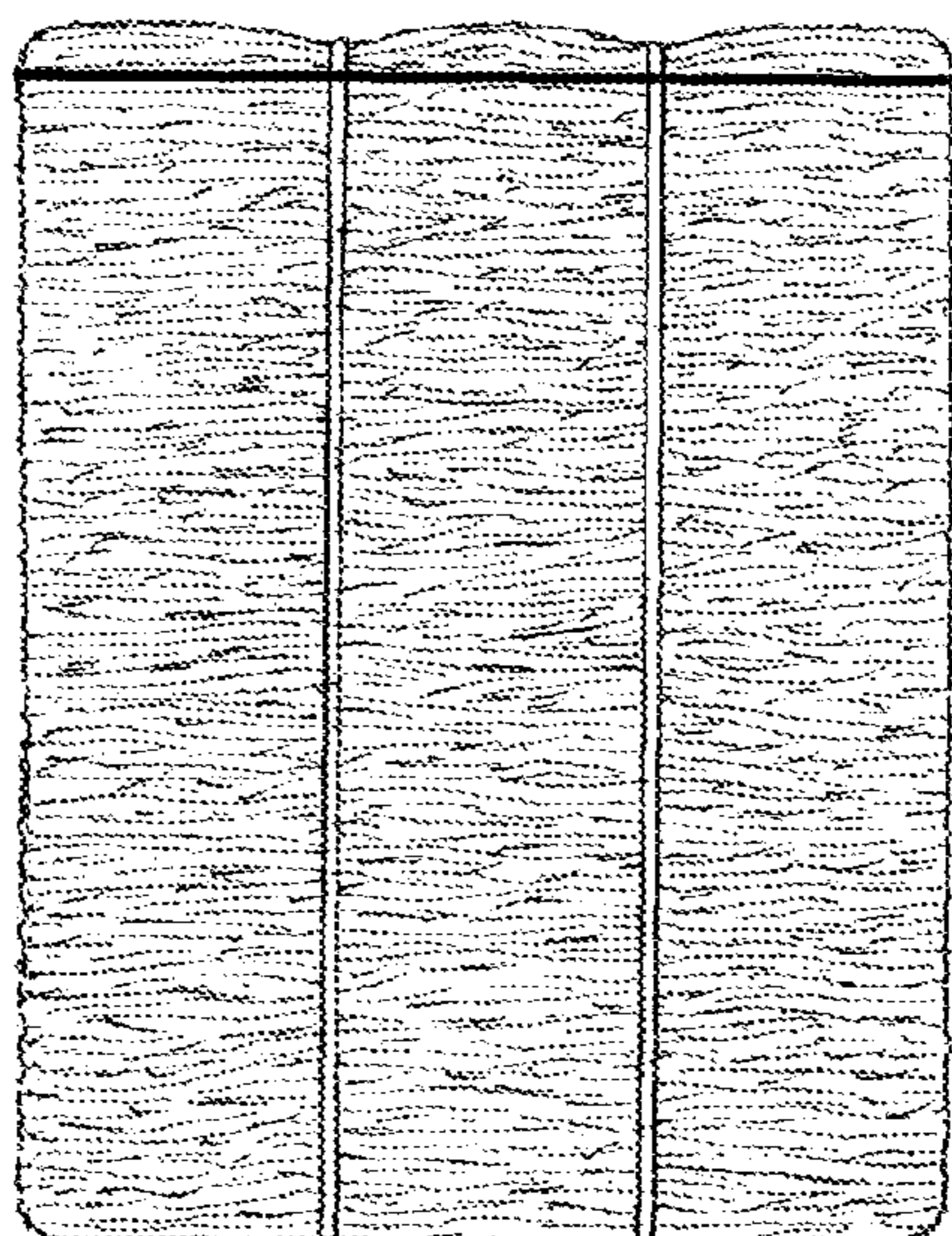
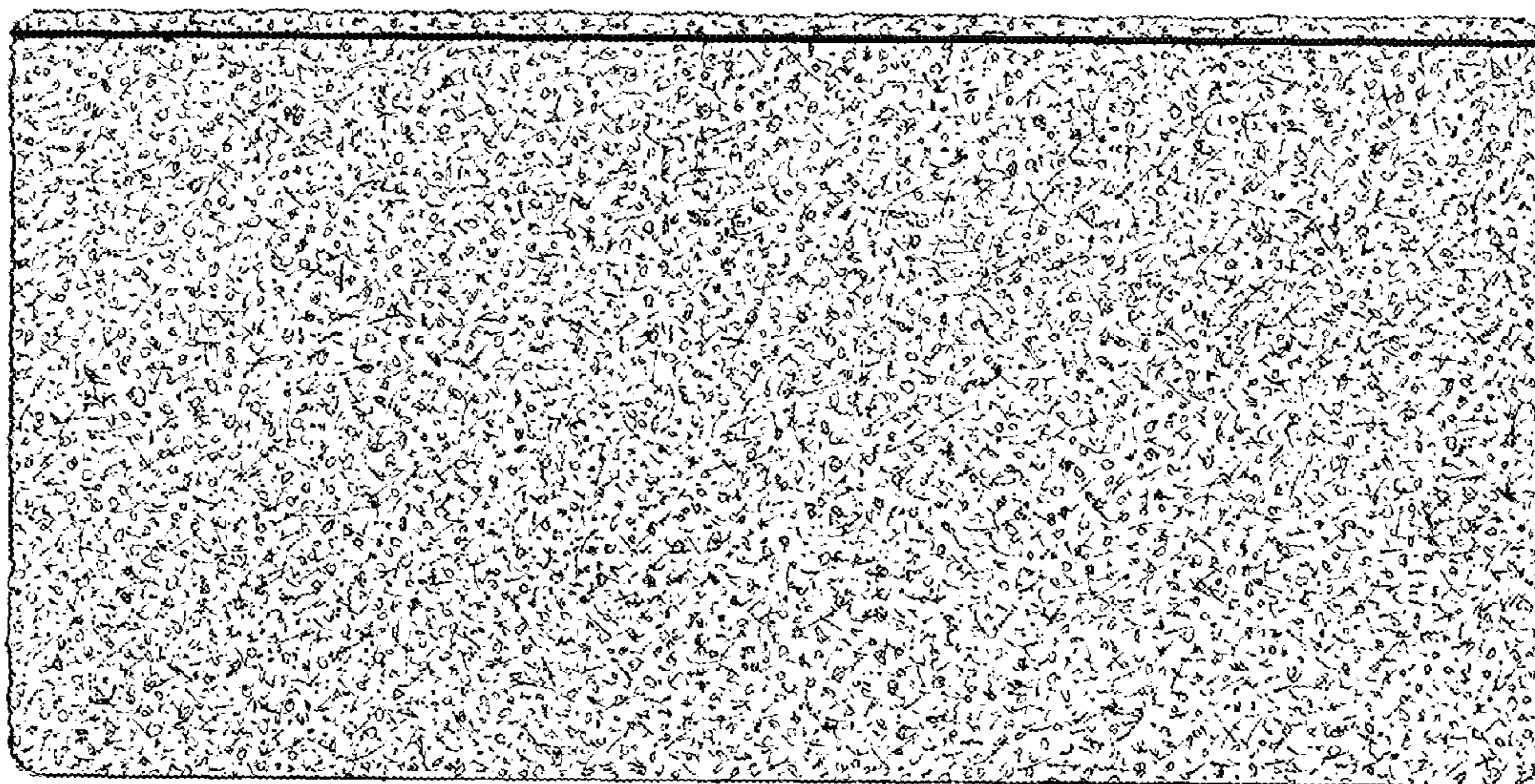


FIG. 4