



US00D557497S

(12) **United States Design Patent**
Fedon

(10) **Patent No.:** **US D557,497 S**

(45) **Date of Patent:** **** Dec. 18, 2007**

(54) **CARD HOLDER**

(75) Inventor: **Callisto Fedon**, Domege Di Cadore
(IT)

(73) Assignee: **Giorgio Fedon & Figli SpA**, Domegge
Di Cadore (BL) (IT)

(**) Term: **14 Years**

(21) Appl. No.: **29/267,489**

(22) Filed: **Oct. 16, 2006**

(30) **Foreign Application Priority Data**

Apr. 14, 2006 (EM) 513080

(51) **LOC (8) Cl.** **03-01**

(52) **U.S. Cl.** **D3/247**

(58) **Field of Classification Search** D3/20,
D3/203.02, 212, 228, 247; D9/415, 418;
224/269, 274

See application file for complete search history.

(56) **References Cited**

U.S. PATENT DOCUMENTS

D413,017 S * 8/1999 Masoud D3/247

D439,042 S * 3/2001 Lau D3/247
D481,537 S * 11/2003 Vaughn D3/247
D510,187 S * 10/2005 Chan D3/247
D526,018 S * 8/2006 Salander et al. D19/26

* cited by examiner

Primary Examiner—Louis S. Zarfes

Assistant Examiner—Michelle E. Wilson

(74) *Attorney, Agent, or Firm*—Bucknam and Archer

(57) **CLAIM**

The ornamental design for a card holder, as shown and described.

DESCRIPTION

FIG. 1 is a front perspective view of a card holder, showing my new design;

FIG. 2 is a front elevational view thereof;

FIG. 3 is a rear elevational view thereof;

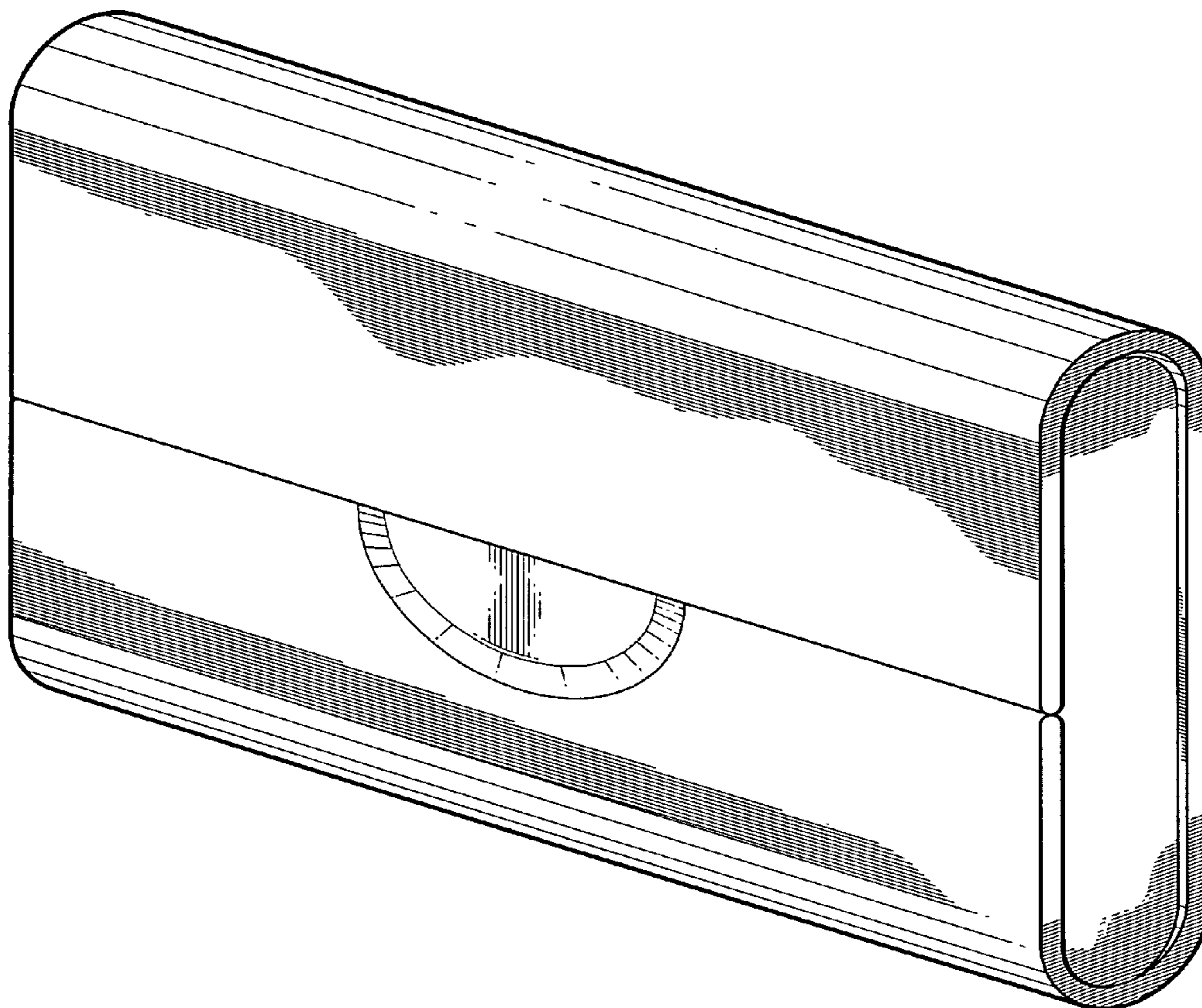
FIG. 4 is a top plan view thereof;

FIG. 5 is a bottom plan view thereof;

FIG. 6 is a left side elevational view thereof; and,

FIG. 7 is a right side elevational view thereof.

1 Claim, 5 Drawing Sheets



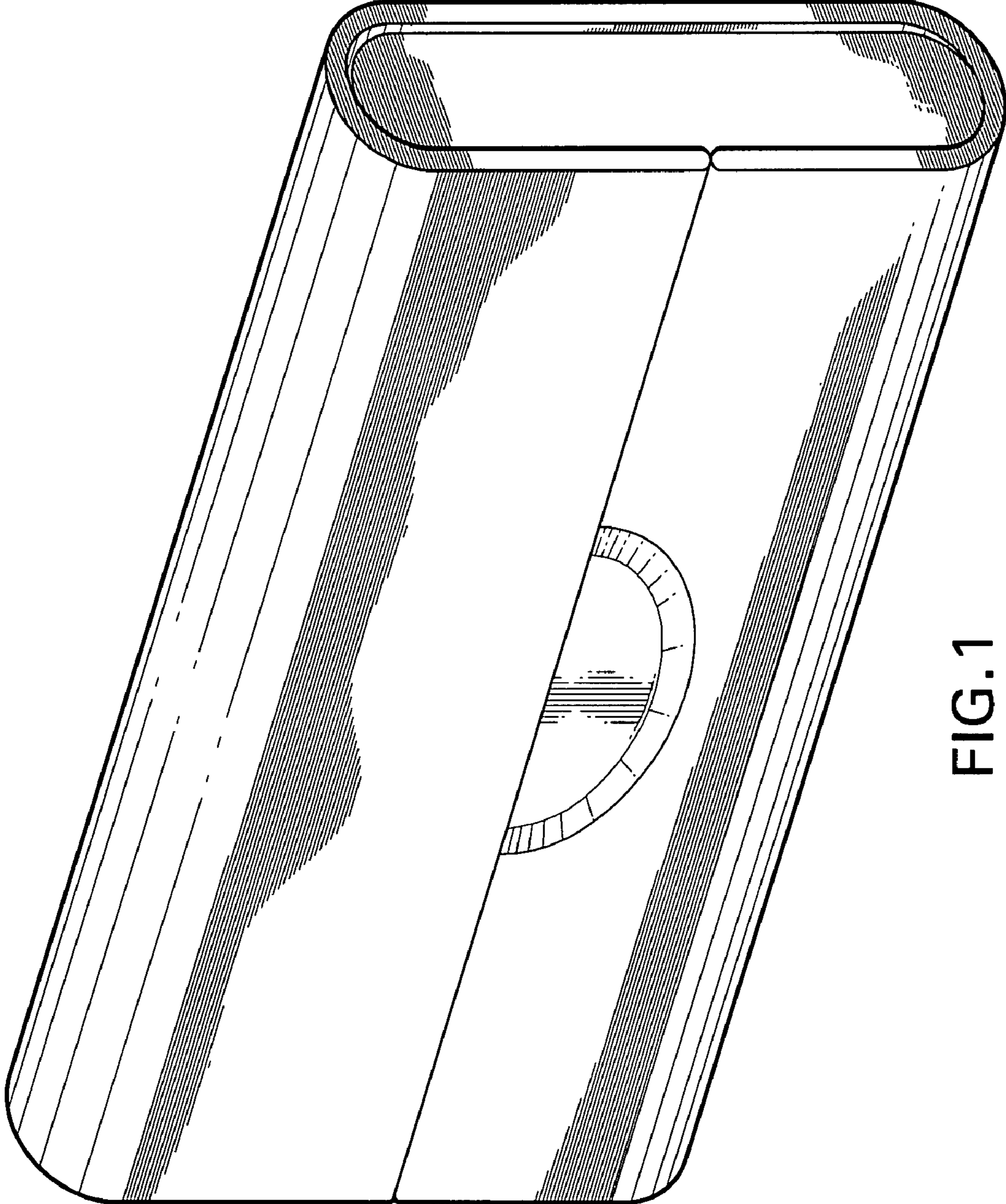


FIG.1

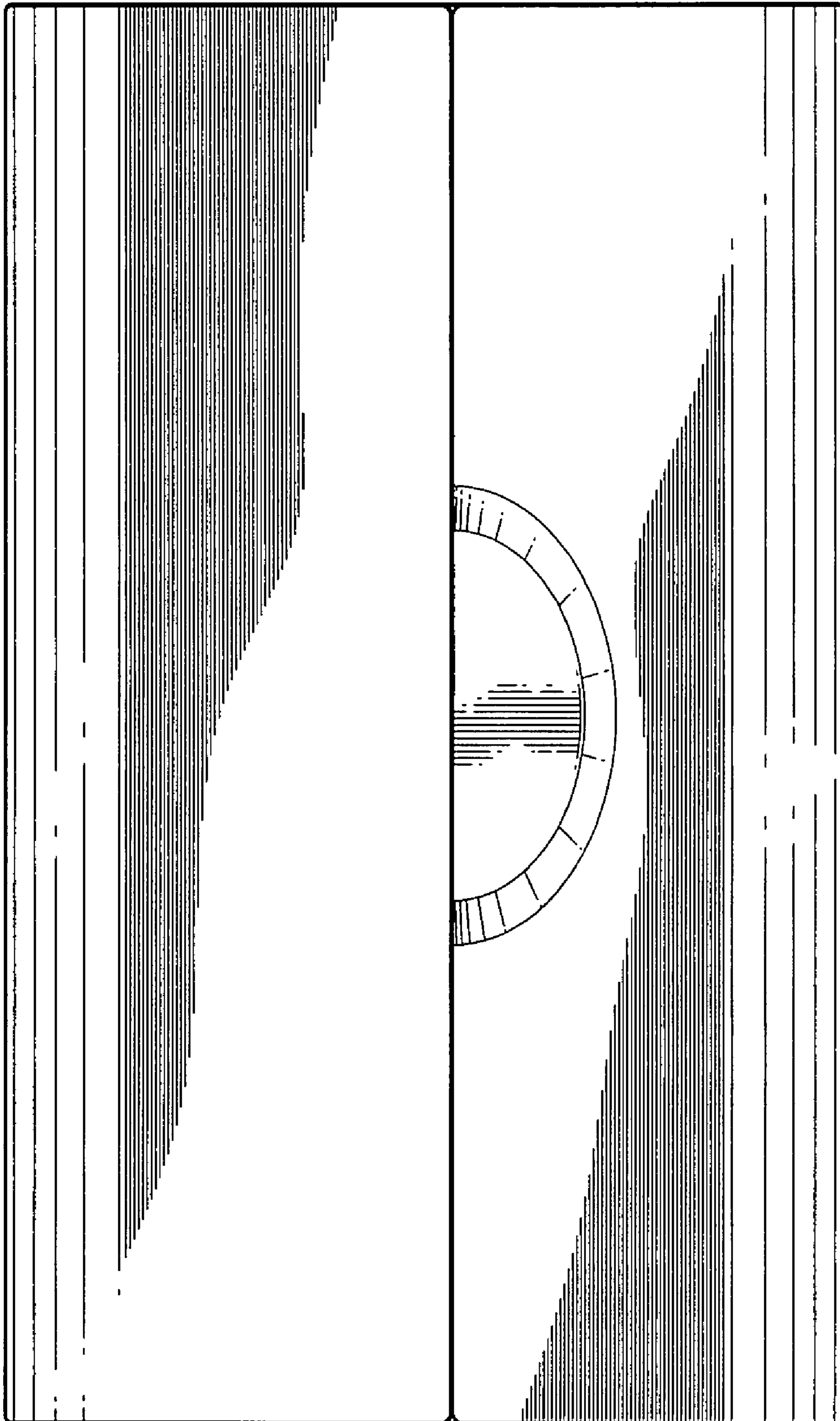


FIG.2

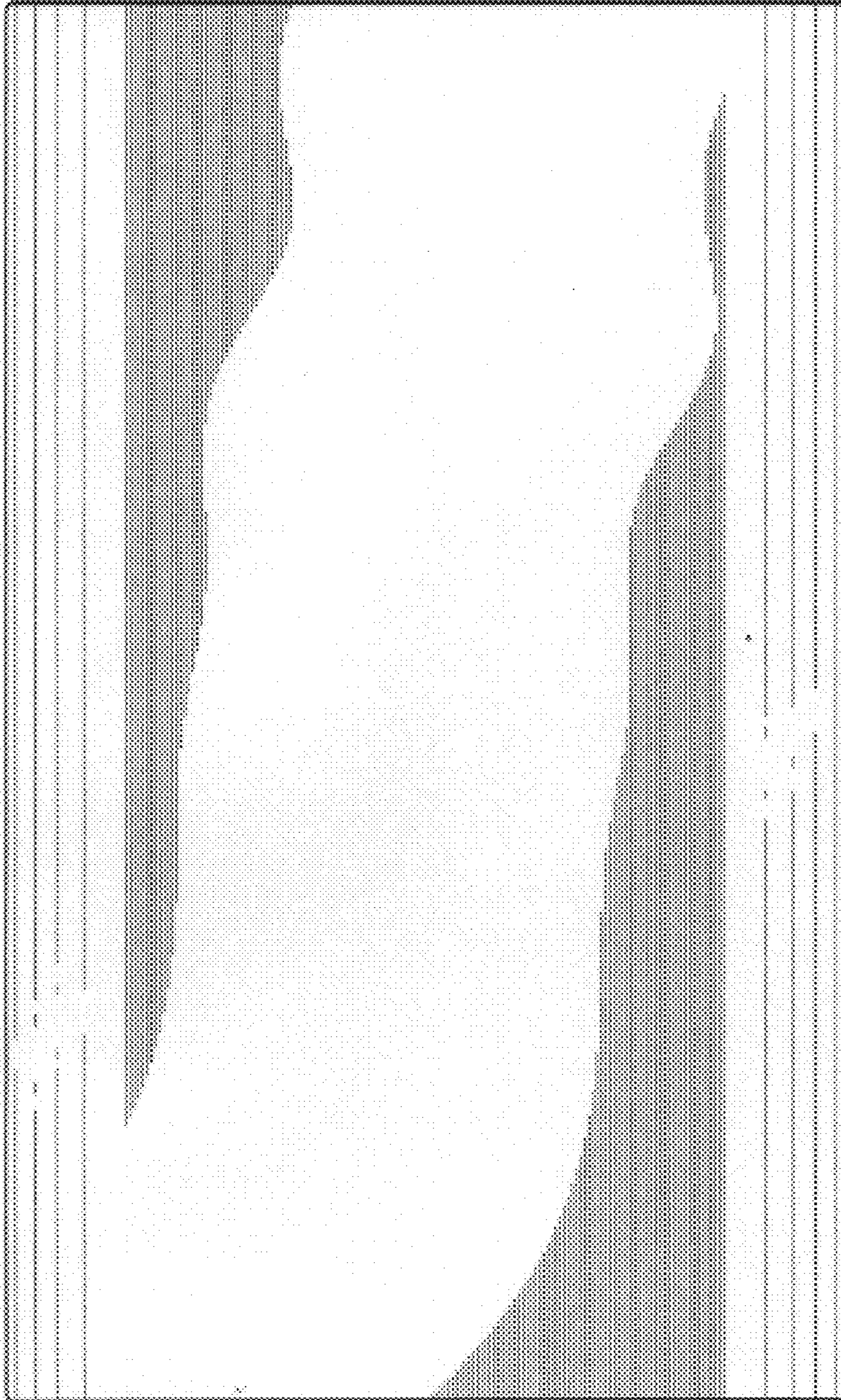


FIG. 3

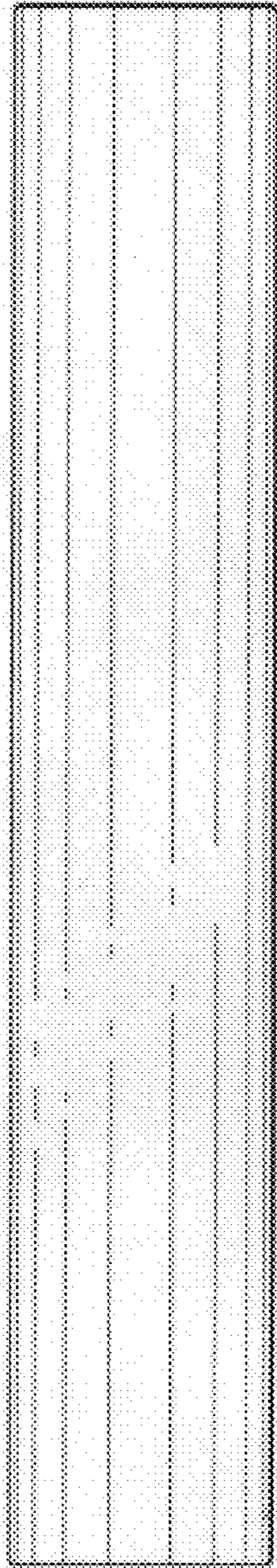


FIG. 4

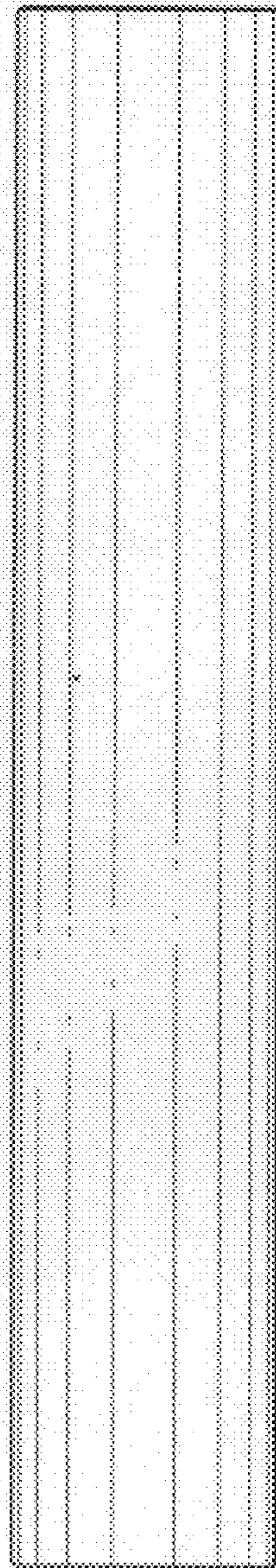


FIG. 5

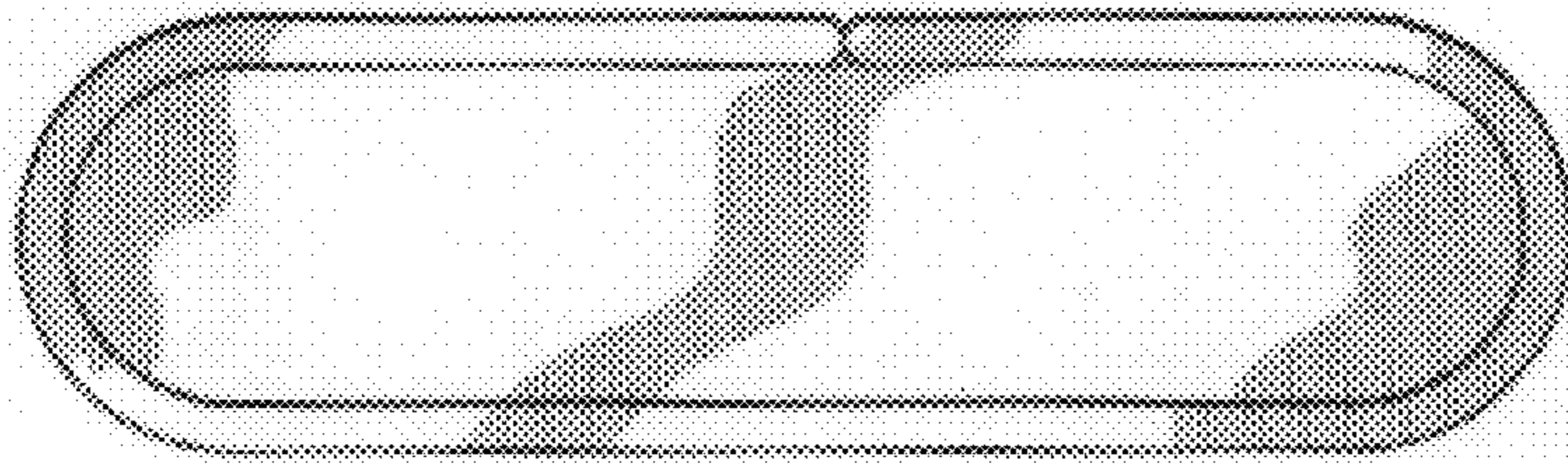


FIG. 7

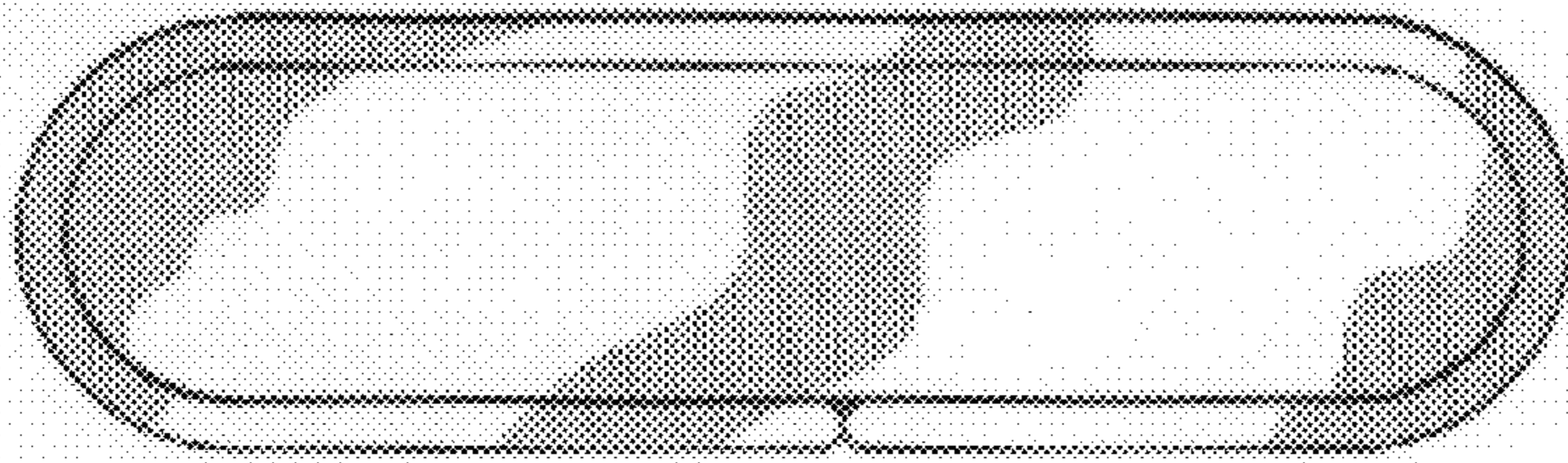


FIG. 6